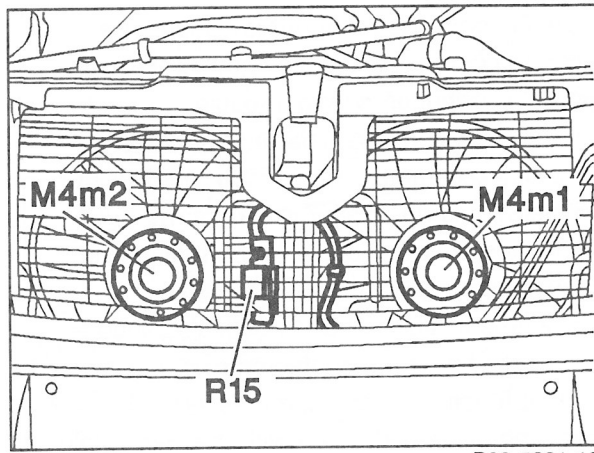


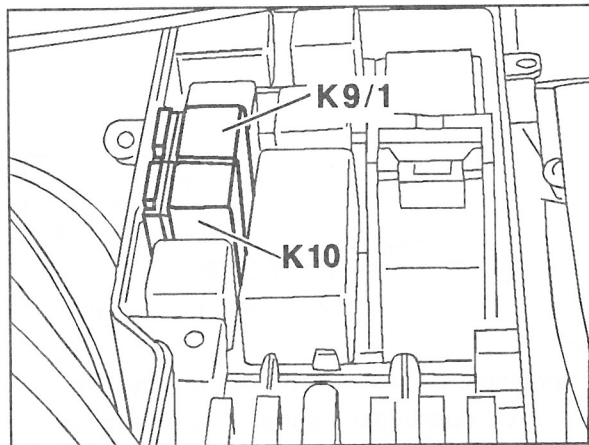
**Auxiliary fans (M4m1, M4m2)**

The auxiliary fans are controlled by the A/C pushbutton control module via the auxiliary fan relay module (K9/1) and the auxiliary fan preresistor (R15).

All models are equipped with two auxiliary fans. The current draw in the 2nd stage is 25 A at 13 V battery voltage. The auxiliary fans are protected by a 15 A fuse for the first stage, and a 40 A fuse for the 2nd stage.



P83-5601-13



P83.30-0200-01

**Location in fuse box**

- K9/1 Auxiliary fan relay module (stage 1)
- K10 Auxiliary fan relay module (stage 2)

**Auxiliary fan switchpoints**

		1st stage	2nd stage
Refrigerant pressure	bar	16 on 13 off	20 on 17 off
ECT sensor (B10/8)	°C	100 on 95 off	115 on 107 off
Voltage supply to auxiliary fans (M4m1, M4m2)	V	9	12

The auxiliary fans do not engage in the 1st stage at ambient temperatures < 41°F (+5 °C).

**Acronym**

ECT = Engine Coolant Temperature