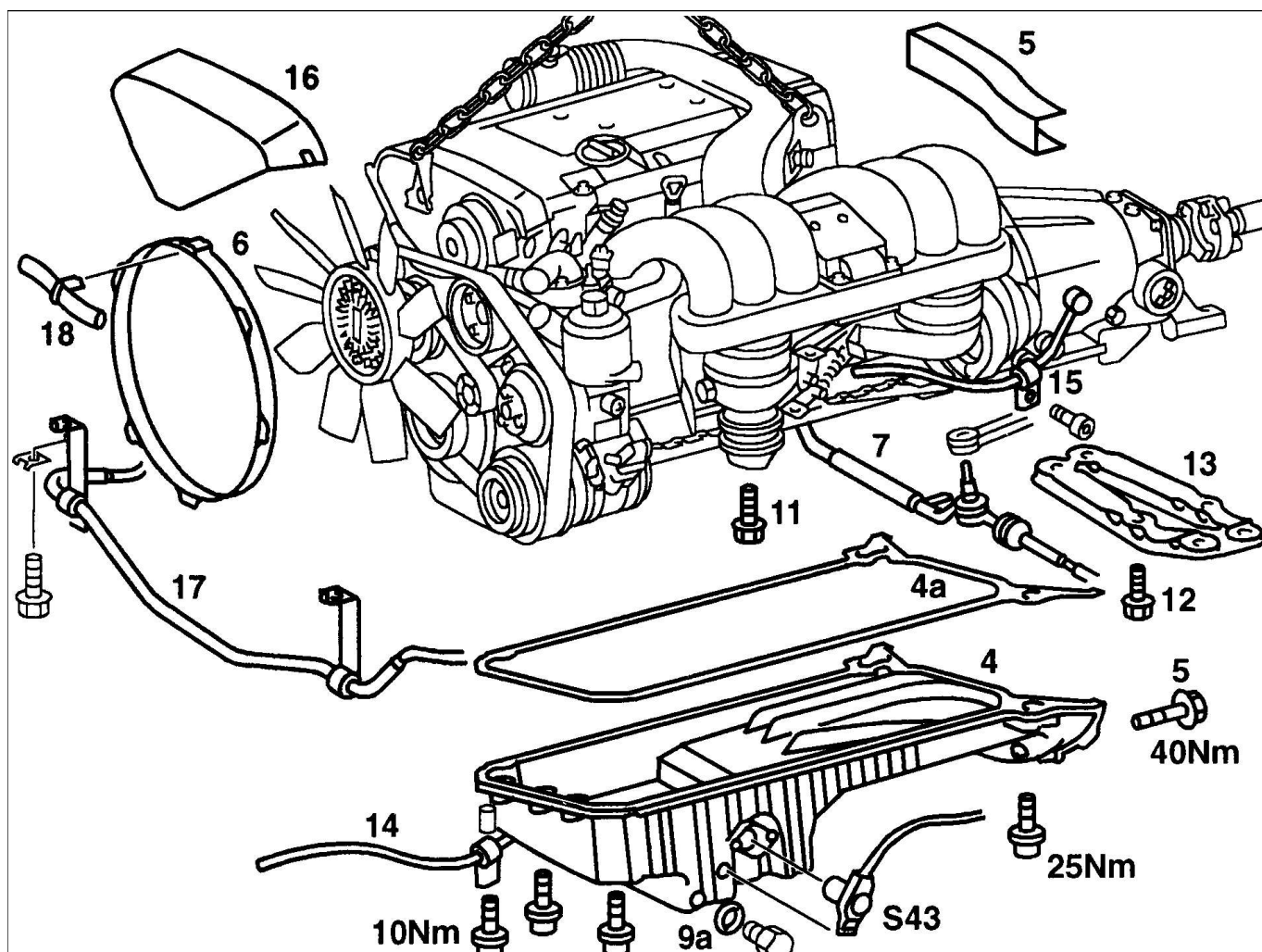


C. Model 202

Preceding work:
Bottom engine compartment panel removed
(Maintenance Manual).

Operation no. of operation texts and work units or standard texts and flat rates:
01-7500



P01-5857-57

- | | |
|---|--|
| Engine oil..... | drain, pour in (18-0020). |
| Fan shroud ring (6) at fan shroud..... | take off, place over fan, fit on (20-3400). |
| Cover (5) of engine harness at component partition..... | take off, fit on. |
| Exhaust at exhaust manifold..... | take off, fit on. |
| Carrier for exhaust bracket at transmission..... | take off, fit on. |
| Coupling of oil level sensor (S43)..... | unplug, plug in. |
| If automatic transmission fitted:..... | unbolt oil pipes (14) and (15) at oil sujp (4), bolt on. |
| Drag link (7)..... | take off, fit on (AR46.40-0100C). |

Front torsion bar (17).....	remove, install (AR32.20-0300C).
Front engine mount bolts (11) at bottom.....	unscrew, screw on (22-2110).
Rear engine mount bolts (12) at engine carrier (13).....	unscrew, screw on (22-2120).
Cover (16) at front.....	remove, install.
Engine hoist to front and rear engine.....	attach to front and rear engine lifting lugs.
Engine hoist.....	adjust so that engine is raised evenly at front and rear.
Engine.....	raise.
Oil sump bolts.....	unscrew, screw on.
Oil sump (4).....	remove to the front.
Sealing surfaces.....	clean.
Gasket (4a).....	replace.
Oil sump (4).....	install; align to rear contact surface on transmission when performing this step.



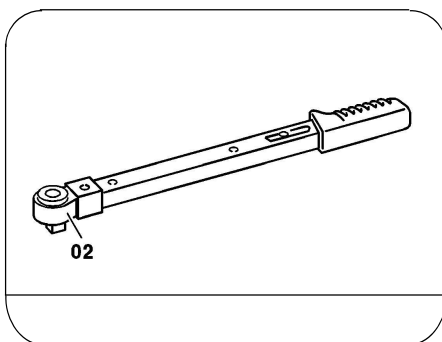
If the oil sump (4) is not aligned to the transmission, this may result in noises and vibration problems.

Engine..... run and check for leaks.

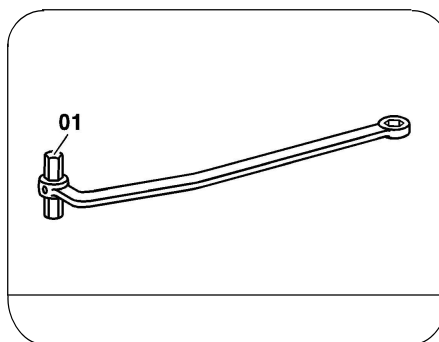
Tightening torques in Nm

Oil sump to crankcase	
M6 bolts	9
M8 bolts	21
M10 bolts	40

Special tools



001 589 72 21 00



117 589 02 07 00

Commercially available tool

Removing device components model 3188
(lifting capacity 500 kg)

e. g. Wilbär GmbH
und Co KG
42853 Remscheid
