

P01.45-P-0001-01D

Notes on application of sealant oil pan

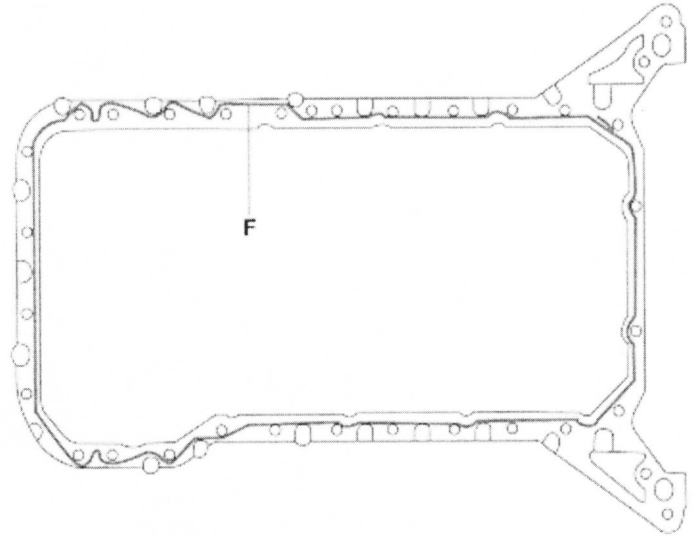
Engine
113.940/943/944/961/980/984

i

Application of sealant to top part of oil pan

i The line drawn **F** marks the application of sealant.

i Clean sealing surfaces, apply sealant only to the specified surfaces with a bead of $2.0 \text{ mm} \pm 0.5 \text{ mm}$.
The sealant must be applied within 10 minutes!
The silicone bead must not be spread. Only the silicone sealant listed in the section Repair products may be used.

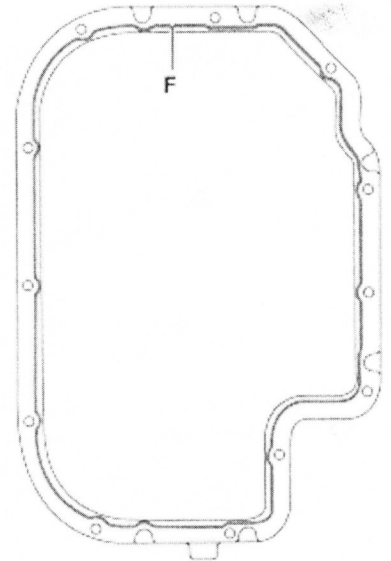


P01.45-2012-81

Application of sealant to bottom part of oil pan

i The line drawn **F** marks the application of sealant.

i Clean sealing surfaces, apply sealant only to the specified surfaces with a bead of $2.0 \text{ mm} \pm 0.5 \text{ mm}$.
The sealant must be applied within 10 minutes!
The silicone bead must not be spread. Only the silicone sealant listed in the section Repair products may be used.



P01.40-0317-72