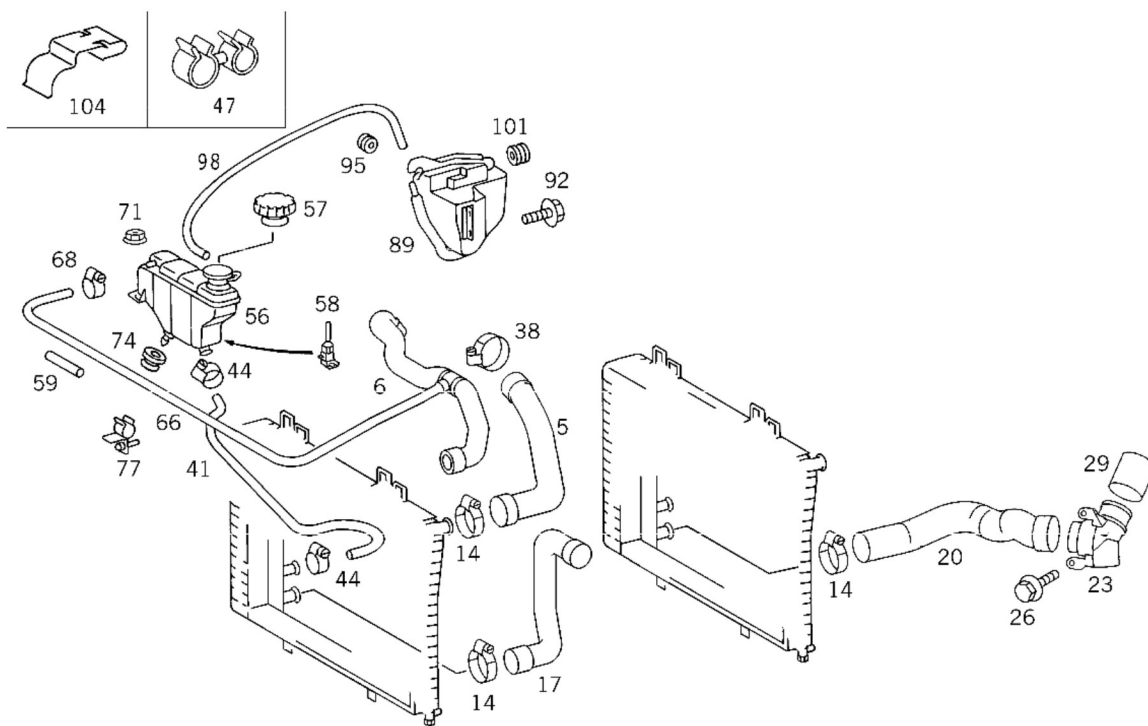


- Parts list -




Mode	BM mode	BM overview	C 43 AMG
VIN/mod. des.	C202033	Catalog	44W
VIN		Group	50 RADIATOR
Sales designation	APPLICABLE TO: CA, US	Sub-group	165 EXPANSION TANK,MOUNTING AND HOSES
Assortment class	PC		
Market			



Copyright 2019-02-05 Daimler AG

Image ID: drawing_B50165000100

Item	Part number	Designation/additional information	Qty
5	A 202 501 59 82	HOSE TOP	1
14	A 006 997 05 90	HOSE CLAMP COOLING WATER HOSE TO RADIATOR	2
17	A 202 500 07 75	HOSE BOTTOM	1
38	A 006 997 05 90	HOSE CLAMP COOLING WATER HOSE TO WATER PUMP	1
38	A 006 997 05 90	HOSE CLAMP COOLING WATER HOSE TO THERMOSTAT	1
41	A 202 501 53 82	HOSE	1

Item	Part number	Designation/additional information	Qty
44	A 006 997 42 90	CLAMP FILLING HOSE TO EXPANSION TANK	1
44	A 006 997 03 90	HOSE CLAMP W WORM DRIVE FILLING HOSE TO RADIATOR	1
47	A 202 504 01 35	CLIP BETWEEN FILLING HOSE AND HOT WATER RETURN	1
56	A 202 500 06 49	CONTAINER EXPANSION TANK	1
57	A 210 501 03 15	RADIATOR CAP RADIATOR	1
58	A 210 545 00 24	SWITCH COOLING WATER LEVEL INDICATOR  [860] FROM MODEL YEAR 1996	1
59	A 022 997 26 82	HOSE 215 MM  [404] ORDER BY THE METER	1
66	N 900271 008019	HOSE	-
66	N 000000 000734	HOSE FROM EXPANSION TANK TO ENGINE 1180 MM  [404] ORDER BY THE METER	1
68	A 202 995 01 10	CLAMP	-
68	A 005 997 02 90	HOSE CLAMP FROM EXPANSION TANK TO ENGINE	1
71	A 003 990 53 51	NUT	-
71	A 001 990 58 50	NUT EXPANSION TANK TO WHEELHOUSE	2
74	A 201 504 01 12	ELASTOMER MOLDED PART EXPANSION TANK TO WHEELHOUSE	1
77	A 202 501 01 20	BRACKET DE-AERATION LINE	1
104	A 202 501 02 20	BRACKET	1