

C-Class Sedan



W205

Model Year 2019

Mercedes-Benz
The best or nothing.





Important note

The information presented in this guide is based on the most current information available and is intended for internal use only. Mercedes-Benz reserves the right to make changes at any time, without notice, to colors, materials, equipment, special specifications and models.

Pricing may not yet be finalized for some models or options.

Due to variances among monitors and printers the colors that appear on your screen and printouts may not be exact.

For illustrative purposes, some images may show vehicles with European Specification.

Revision History

<i>Date</i>	<i>Changes</i>
4/1/2018	Initial Publication
4/26/2018	Limited availability due to global constraint of Head-Up Display (463)
5/1/2018	Updated AMG 0-60mph times
5/7/2018	Updated verbiage and package/options pricing
5/25/2018	Updated Night Package (521) description
6/1/2018	Updates: <ul style="list-style-type: none"> - Added What's New slide about MB Entry Navigation - Updated pricing on What's New slides - Moved Power-Folding Mirrors back into standard equipment
6/21/2018	Updates: <ul style="list-style-type: none"> - Base pricing is now updated - Updated upholstery pictures for 138, 145, and 255 - 996 Package requires 10.25" screen (320 or 859) - Added What's New slide about 464 Digital Instrument Cluster - Changed cover picture
7/9/2018	- AMG DRIVE UNIT now standard on C63 S
7/23/2018	- Updated pricing of 897, P01 and 320 - MB Entry Navigation (26A) requires SD Card Navigation Pre-Wiring (355)
7/27/2018	Inserted new slides comparing available navigation systems as well as an explanation of the enhanced voice control included with Multimedia Package (320).
8/3/2018	- <i>designo</i> Packages (P62 and P87) are available with Heated Steering Wheel (443) - SiriusXM Radio (536) is available as Stand-Alone Option - Updated requirements of Multimedia Package (320)
8/13/2018	Added Steering Wheels overview
8/20/2018	Updated specification data for AMG variants (incl. curb weight, trunk volume, etc.)



Important note

The information presented in this guide is based on the most current information available and is intended for internal use only. Mercedes-Benz reserves the right to make changes at any time, without notice, to colors, materials, equipment, special specifications and models.

Pricing may not yet be finalized for some models or options.

Due to variances among monitors and printers the colors that appear on your screen and printouts may not be exact.

For illustrative purposes, some images may show vehicles with European Specification.

Revision History

<i>Date</i>	<i>Changes</i>
9/6/2018	<ul style="list-style-type: none"> - U78 AMG Performance Exhaust now standard on C63 and C63 S - Heated Steering Wheel (443) is now available with designo Packages (P62 or P87) - Multimedia Package requires Premium Package (P01) or SiriusXM® Satellite Radio (536) - 12.3" Digital Instrument Cluster requires Multimedia Package (320) or 10.25-Inch Center Display (859) - Multimedia Package (320) includes Car-to-X Communication
9/17/2018	<ul style="list-style-type: none"> - Removed MB Entry Navigation (26A) from What's New section - Updated MB Entry Navigation (26A) description - Updated Driver Assistance Package (997) description
9/20/2018	<ul style="list-style-type: none"> - Added new wheel (72R) to be used when R43 is in constraint.
12/3/2018	<ul style="list-style-type: none"> - Removed "Pricing Preliminary" from title page. - Changed price for 26A - Changed verbiage throughout document - Removed plausi that 996 requires P01 - Added 273 Rear Cross-Traffic Alert to P01 package (note: feature was already included but now it is expressly stated). - Added information page for 273 Rear Cross-Traffic Alert to What's New section - Added Adaptive Highbeam Assist (608) as a standalone option



C300 & C300 4MATIC



Models



What's new



Standard Equipment



Exterior Paint Colors



Wheels



Interior Upholstery



Interior Trims



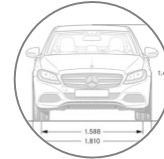
Option Packages



Stand-Alone Options



Options in Detail



Specifications



C 300 (205.083)

C300W

- MSRP \$41,400
- 2.0L inline-4 turbo engine
- 9-Speed Automatic Transmission
- 255 hp
- 273 lb-ft
- 5.7 sec (0-60 mph)
- Launch date: Early Fall 2018



C 300 4MATIC (205.084)

C300W4

- MSRP \$43,400
- 2.0L inline-4 turbo engine
- 9-Speed Automatic Transmission
- 255 hp
- 273 lb-ft
- 5.7 sec (0-60 mph)
- Launch date: Early Fall 2018



Performance & Handling

- New M264 2.0L Inline-4 Turbocharged Engine w /Power output increase +14hp to 255 hp

Standard Equipment

- Smartphone Integration (Apple CarPlay™, Android Auto) becomes standard
- LED Headlamps & Taillamps become standard
- Updated steering wheel w/ haptic feedback touchpads and cruise control buttons
- New key design
- New standard 17" Twin 5-Spoke Wheels (R43)
- Pre-Installation for SD-Card Navigation removed from standard equipment

Optional Equipment

- LED Intelligent Light System available in Exterior Lighting Package
- 64-Color Ambient Lighting available as a stand-alone option
- HANDS-FREE ACCESS and Electronic Trunk-Closer added to Premium Package
- New MB Entry Navigation based on NTG 5*5 now available
- Natural Grain Walnut Wood Trim (H33) now available
- Natural Grain Grey Oak Wood Trim (H31) now available
- Burl Walnut Wood Trim discontinued
- Magma Grey upholsteries replace Crystal Grey Upholsteries
- Silk Beige MB-Tex (145), Magma Grey MB-Tex (148), and Saddle Brown MB-Tex (144) now available w/ AMG Line (321)
- 10.25" Center Screen added to Multimedia Package (320), also available as stand-alone (859)
- Silk Beige Leather (255) and Saddle Brown Leather (264) now available w/ AMG Line (321)
- 12.3" Digital Instrument Panel available (requires Multimedia Package (464))
- Inductive Wireless Charging and NFC Pairing (897) added as stand-alone options (897)
- Next generation Driver Assistance technology available in Driver Assistance Package
- 18" AMG 5-Spoke Wheels (RSJ) replace 18" AMG 5-Spoke Wheels (782)
- 18" AMG 5-Spoke Wheels w/ Black Accents (RSK) replace 18" AMG 5-Spoke Wheels w/ Black Accents (792)
- New 19" AMG Twin 5-Spoke Wheels (604) w/ Black Accents available w/ Night Package (521)
- AMG Line receives Diamond Grille w/ single lamella

Paints

- Emerald Green Metallic (989) replaces Diamond Silver Metallic
- Mojave Silver Metallic (859) replaces Dakota Brown Metallic



Smartphone Integration (14U)

Standard equipment

Includes Android Auto and Apple CarPlay



Smartphone Integration makes safe use of mobile devices possible while on the move. The connection to the smartphone allows access to up-to-date software and data such as navigation and traffic information, media (streaming media and IP radio) as well as contact data and messaging. To prevent driver distraction while on the move, there is no complete duplication of smartphone content.

A data connection via the mobile phone is necessary for certain functions. The functions supported also depend on the smartphone. The information provided by the smartphone manufacturer will also indicate the compatible devices and functions.

MB Entry Navigation (26A)

Requires Pre-Installation for SD Card Navigation (355)

Option price: \$625



Mercedes-Benz has developed an in-house navigation system via an SD card with the same look and feel as the high-end COMAND Navigation and with similar functionality. This replaces the outgoing Garmin SD-Card Navigation. The MB Entry Navigation is capable of route guidance with an estimated 25% speed increase and also includes LiveTraffic and Car-to-X Communication.

Please note that the card must be ordered with the 355 Pre-Installation for SD-Card Navigation before MB Entry Navigation can be loaded onto the vehicle. The dealer or VPC can install MB Entry Navigation.

Multimedia Package (320)

Requires Premium Package (P01)

Option price: \$2,600



The Multimedia Package offers the latest in headunit and navigation software for the C-Class. COMAND has been upgraded to NTG 5.5 - the same level as the E-Class and S-Class, and includes Enhanced Voice Control. Full maps with 3D capability and 3 years of free updates are included as well as SNAP overlays for gas prices, weather, parking availability, and more. Live Traffic information and Car-to-X Communication are also included alongside COMAND.

This package also includes the Central Controller and Touchpad as well as the larger, 10.25" central display.

Multimedia Package is required for the Driver Assistance Package and the Digital Instrument Cluster (464) as well as any online functions like MB Apps and WiFi.



Enhanced Voice Control



Operate COMAND® and vehicle functions safely and conveniently via Voice Control

Included in Multimedia Package

The voice-operated control system allows the multimedia system and now some of the vehicle functions to be operated while driving with as little distraction as possible. Activating Voice Control by pressing the button on the right of the multifunction steering wheel enables the driver to keep their hands on the steering wheel. The system is switched off via the back button on the steering wheel or pressing the same Voice Control button.

Typical commands for the system include:

- "Navigate to address, POI, contact" - this universal command enables input of all types of destinations and initiates a search through the address book contacts, the navigation database and also on the internet for Points Of Interest
- "Call name (or) number" - this command allows an address book contact as well as a phone number to be called
- "Station name" - this command allows an available station name to be selected when the radio is switched on

But now, in-vehicle functions can be controlled as well. For example:

- "Turn seat heating on"
- "Change ambient light to blue"
- "Set climate control to 68 degrees"

Vehicle functions can also be controlled with commands such as "Show me the climate control settings menu" or "Start massage". Voice Control can also be used for controlling Mercedes-Benz Apps. For example with commands such as "Find a nearby restaurant" in the POI search.



LED Headlamps (632) & LED Intelligent Light System (640)



LED Headlamps (632)

Standard

- Redesigned LED headlamps are now standard equipment improving the look of the standard C-Class as well as providing increased safety due to brighter and higher quality headlamps.



LED Intelligent Light System with Ultra Wide Beam (640)

Optional

- Redesigned headlamp incorporates updated technology and look for the C-Class
- Ultra Wide Beam produce light at an increased width for maximum illumination of the road and surrounding area
- Adaptive Highbeam Assist is part of the LED Intelligent Light System and allows drivers to drive with highbeams activated at all times. System will automatically deactivate highbeams in the presence of oncoming traffic so as not to blind oncoming drivers.



Steering Wheel



3-spoke Nappa Leather Multifunction Steering Wheel *Standard*

The newly redesigned 3-spoke multifunction steering wheel in nappa leather combines a sporty design, compact dimensions, and fine materials.

- Steering wheel shift paddles integrated into the back of the steering wheel cross spokes enable manual gear shifting and support a sporty driving style.
- Steering wheel shift paddles in the steering wheel color.
- Optional Active Distance Assist DISTRONIC® or standard cruise control is controlled via steering wheel-mounted controls.
- Touch Control buttons for direct control of the instrument cluster (analogue or digital) and to control the functions of the multimedia system.



Inductive Wireless Charging and NFC Pairing



Inductive Wireless Charging and NFC Pairing (897)

Option price: \$170

Driving time becomes charging time - with just a simple hand movement your smartphone can be fixed in place in the center console where it is charged wirelessly. Irrespective of the model and brand, all smartphones meeting the Qi standard are charged wirelessly.

Components:

- Wireless charging for numerous mobile phones that support or can be upgraded to support the Qi standard
- Quick establishment of connection between the multimedia system and mobile phone via Near Field Communication (NFC) for mobile device identification
- Charging area in the front tray in the center console for mobile devices





Digital Instrument Cluster



Digital Instrument Cluster (464) – Requires Multimedia Package (320)

Option price: \$750

For MY2019, the C-Class will now offer the option to have a high-resolution 12.3” digital instrument cluster with three different modes: Classic, Sport, and Progressive. Unlike many other models with this option, the C-Class integrates the digital instrument cluster within the dash so the geometry of the dash is the same as without the option.

The three separate modes allow the driver to customize the digital instrument cluster to his/her liking. Additionally, with the added digital space, there is greater functionality for navigation, multimedia, and other information within the digital instrument cluster itself.



Pictured Top: “Classic” design

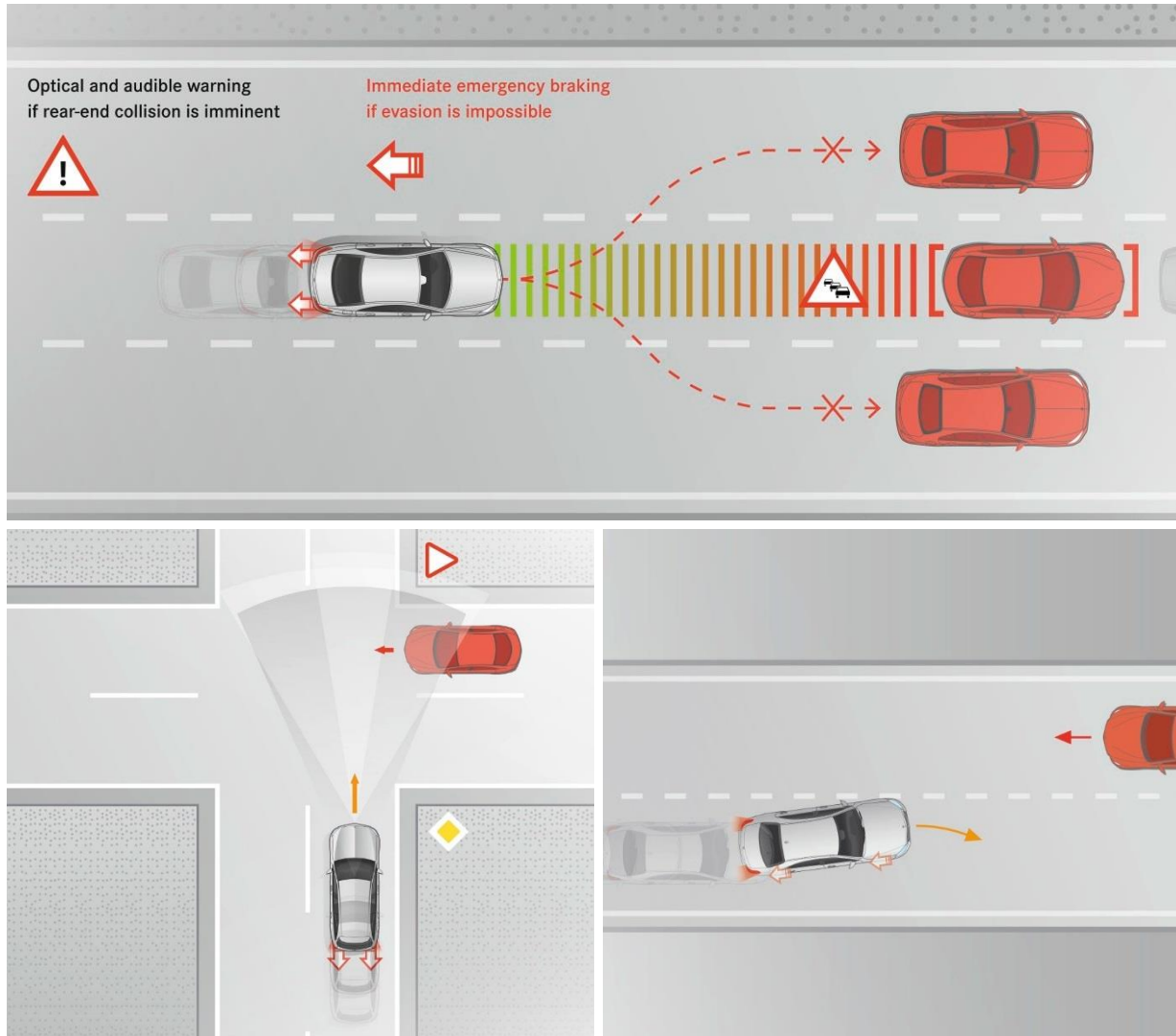
Pictured Middle: “Sport” design

Pictured Bottom: “Progressive” design





Driver Assistance Package



Driver Assistance Package (997)

Option price: \$2,250

- **Active Distance Assist DISTRONIC®** is able to follow a vehicle in front at a pre-selected distance at wider range of speeds
- **Active Steering Assist** functions at a wider range of speeds and can now actively intervene even if road lines are unclear or non-existent at certain speeds; can now function in curves with a tighter radius
- **Active Emergency Stop Assist** brakes the vehicle to a standstill in its lane if it detects that the driver is no longer actively driving the vehicle while it is on the move with Active Distance Assist DISTRONIC and Active Steering Assist engaged. Can now unlock the doors when the vehicle is stationary to allow first aid responders immediate access to the vehicle's interior. The system simultaneously makes an emergency call
- **Active Lane Change Assist** is a radar-and-camera-based system that aids the driver when changing lanes. When a turn is indicated, this feature will aid with steering into the adjacent lane if it detects the lane is empty
- **Active Speed Limit Assist** can adapt vehicle speed to identified speed limits and can now adjust preemptively when speed limits are going to change
- **Route-Based Speed Adaptation** the vehicle is now able to reduce the speed in anticipatory mode by referencing the COMAND map data ahead of bends, junctions, roundabouts, toll booths and exit roads.
- **Active Brake Assist with Cross-Traffic Function**
- **Evasive Steering Assist** this system assists by adding calculated steering torque to aid in steering wheel movement when a driver deliberately or instinctively performs an evasive maneuver around a pedestrian
- **Active Blind Spot Assist** is active at a wider range of speeds and informs the driver to help avoid an imminent side impact by single-sided braking
- **Active Lane Keeping Assist** is active now at a wider range of speeds



Rear Cross-Traffic Alert

Rear Cross-Traffic Alert (273) – Included with *Blind Spot Assist (234)* and *Premium Package (P01)*

Option price: N/A

The vehicle uses sensors embedded in the rear bumper to help drivers when backing out of parking spaces. When backing out, if a vehicle approaches behind the driver, an audible and visual warning will occur. This function activates only within slow speeds (0-6.2 mph). The visual warning is seen in the multimedia display when viewing the rear-view camera. Depending on the situation, braking may also be activated to reduce or eliminate impact to other vehicles.

If sensors are blocked, this function may be limited (soiling, by obstacles, or by poor angle of the sensors).





Performance & Handling

- 2.0L inline-4 turbo engine
- 9G-TRONIC 9-Speed Automatic Transmission
- Multi-Link Front Suspension
- Multi-Link Independent Rear Suspension
- DYNAMIC SELECT
- All-Season Tires
- ECO Start/Stop Technology
- 17" Wheels for C300 Adaptive Braking Technology

Comfort & Convenience

- Power sunroof
- Extendable sun visors
- KEYLESS START
- Rearview camera
- Wood Trim with Analog Clock
- FrontBass® 5-Speaker Audio System
- Two USB ports
- Bluetooth technology (for hands-free calling/audio streaming)
- HD Radio™
- Power front seats with driver-seat memory
- 4-way power driver's lumbar support
- Power tilt & telescoping steering column
- Power windows with express-up/down
- Automatic light-sensing headlamps
- 40/20/40-split folding rear seats
- Central controller with 7" high-mounted tablet-style color display
- Multifunction Leather Steering Wheel w/ Haptic Touchpads
- Dual-Zone Climate Control
- Rain-sensing windshield wipers
- Front and Rear Cup holders
- Electronic Cruise Control
- LED Headlamps & Taillamps
- Smartphone Integration
- Power-Folding Side Mirrors

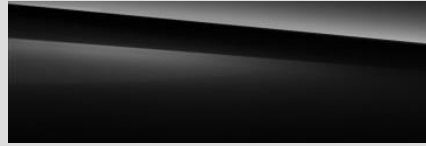
Safety & Security

- New vehicle 4 Year/50,000 mile warranty
- 24h Roadside Assistance Program
- 3-Point Seat Belt with Pretensioners & Adaptive Belt Force Limiter
- Front Dual-Stage Air Bags
- Front and Rear Side Window Air Bags
- Front Side Air bags
- Driver Knee Air Bag
- LATCH/ISOFIX Child Restraint System for Rear Seats
- ATTENTION ASSIST®
- Active Brake Assist
- PRE-SAFE®
- SmartKey
- Tire Pressure Monitoring System (TPMS)
- Antitheft alarm

Exterior Paint Colors



Non-metallic Paints

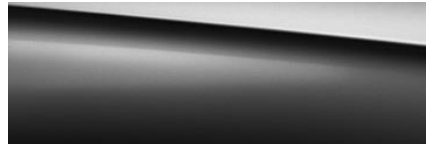


040
Black
Option price: \$0

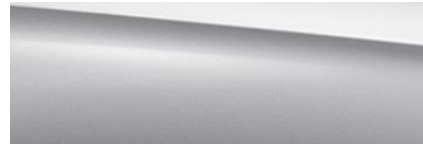


149
Polar White
Option price: \$0

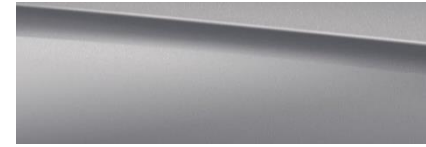
Metallic Paints



197
Obsidian Black
Option price: \$720



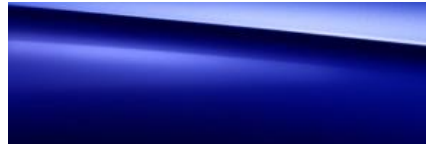
775
Iridium Silver
Option price: \$720



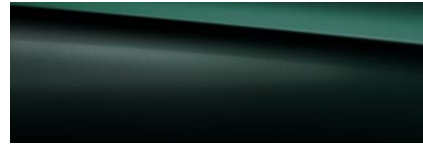
859
Mojave Silver
Option price: \$720



890
Lunar Blue
Option price: \$720



896
Brilliant Blue
Option price: \$720



989
Emerald Green
Option price: \$720



992
Selenite Grey
Option price: \$720

designo Paints



996
Cardinal Red Metallic
Option price: \$1,080



799
Diamond White Metallic
Option price: \$1,515



R43
17" Twin 5-Spoke
R02, R66
Option price: \$0



72R
17" Twin 5-Spoke
R02, R66
Option price: \$0
Only in substitution for R43 in constraint



22R
18" Twin 5-Spoke
R02, R66
Option price: \$500



R86
18" Multispoke w/ Black Accents
R02, R66
Option price: \$500



RSJ
18" AMG 5-Spoke
R02, R66
Option price: \$0
Requires AMG Line (321)



RSK
18" AMG 5-Spoke w/
Black Accents
R02, R66
Option price: \$0
Requires Night Package (521)



788
19" AMG Multispoke
R01, R66
Option price: \$500
Requires AMG Line (321)



665
19" AMG Multispoke
w/ Black Accents
R01, R66
Option price: \$500
Requires Night Package (521)



604
19" AMG Twin 5-Spoke w/
Black Accents
R01, R66
Option price: \$850
Requires Night Package (521)





<i>Code</i>	<i>Wheel Size</i>	<i>Description</i>	<i>Wheel Dimensions</i>	<i>Mobility</i>	<i>MSRP</i>
R43	17"	Twin 5-Spoke Wheel	225/50 R17 on 7 J x 17 ET 48.5	R02, R66	\$ 0
22R	18"	Twin 5-Spoke Wheel	225/45 R18 on 7.5 J x 18 ET 44 (Front) 245/40 R18 on 8.5 J x 18 ET 56 (Rear)	R02, R66	\$ 500 <i>Standard on C 350e Plug-in Hybrid</i>
R86	18"	Multispoke Wheel	225/45 R18 on 7.5 J x 18 ET 44 (Front) 245/40 R18 on 8.5 J x 18 ET 56 (Rear)	R02, R66	\$ 500
RSJ	18"	AMG 5-Spoke Wheel	225/45 R18 on 7.5 J x 18 ET 44 (Front) 245/40 R18 on 8.5 J x 18 ET 49 (Rear)	R02, R66	\$ 0 <i>Requires AMG Line (321)</i>
RSK	18"	AMG 5-Spoke Wheel w/ Black Accents	225/45 R18 on 7.5 J x 18 ET 44 (Front) 245/40 R18 on 8.5 J x 18 ET 49 (Rear)	R02, R66	\$ 0 <i>Requires Night Package (521)</i>
788	19"	AMG Multispoke Wheel	225/40 R19 on 7.5 J x 19 ET 44 (Front) 255/35 R19 on 8.5 J x 19 ET 52 (Rear)	R01, R66	\$ 500 <i>Requires AMG Line (321)</i>
665	19"	AMG Multispoke Wheel w/ Black Accents	225/40 R19 on 7.5 J x 19 ET 44 (Front) 255/35 R19 on 8.5 J x 19 ET 52 (Rear)	R01, R66	\$ 500 <i>Requires Night Package (521)</i>
604	19"	AMG Twin 5-Spoke Wheels w/ Black Accents	225/40 R 19 on 7.5 J x 19 ET 44 (Front) 255/35 R 19 on 8.5 J x 19 ET 52 (Rear)	R01, R66	\$ 850 <i>Requires Night Package (521)</i>



101
Black

Option price: \$0

Not available with AMG Line (321)



115
Silk Beige

Option price: \$0

Not available with AMG Line (321)



138

Magma Grey

Option price: \$0

Not available with AMG Line (321)



141

AMG Black

Option price: \$0

Requires AMG Line (321)



144

AMG Saddle Brown

Option price: \$0

Requires AMG Line (321)



145

AMG Silk Beige

Option price: \$0

Requires AMG Line (321)



Interior Upholstery – Leather



201
Black

*Requires Leather Seating Package (318)
Not available with AMG Line (321)*



215
Silk Beige

*Requires Leather Seating Package (318)
Not available with AMG Line (321)*



228
Magma Grey

*Requires Leather Seating Package (318)
Not available with AMG Line (321)*



251
AMG Black

*Requires AMG Line (321) and
Leather Seating Package (318)*



267
AMG Cranberry Red

*Requires AMG Line (321) and
Leather Seating Package (318)
Not available w/ Emerald Green Metallic (989)*



255
AMG Silk Beige
*Requires AMG Line (321) and
Leather Seating Package (318)*



264

AMG Saddle Brown

*Requires Leather Seating Package (318) &
AMG Line (321)*



Interior Upholstery – *designo* Nappa leather



975

Two-Tone Platinum White Pearl & Black
Requires designo Package (P62)



974

Saddle Brown
Requires designo Package (P87)





51U

Black Fabric Headliner

Option price: \$0

Available with all interiors

*Required by AMG Line (321) and
designo Packages (P62, P87)*



55U

Porcelain Fabric Headliner

Option price: \$0

*Available only with Silk Beige MB-
Tex (115) or Silk Beige Leather (215)*

*Not available with AMG Line (321) or
designo Packages (P62, P87)*



58U

Crystal Grey Fabric Headliner

Option price: \$0

*Available only with Black MB-
Tex (101), Magma Grey MB-
Tex (138), Black Leather (201) or Magma Grey Leather
(228)*

*Not available with AMG Line (321) or
designo Packages (P62, P87)*



Interior Upholstery



<i>Code</i>	<i>Upholstery</i>	<i>Seats</i>	<i>Floor Mats</i>	<i>Upper Dash/Lower Dash</i>	<i>Seat Belts</i>	<i>Steering Wheel</i>	<i>Headliner</i>
101	Black MB-Tex	Black	Black	Black/Black	Black	Black	Crystal Grey or Black
115	Silk Beige MB-Tex	Beige	Black	Black/ Silk Beige	Black	Black	Porcelain or Black
138	Magma Grey MB-Tex	Magma Grey	Black	Black/Black	Black	Black	Crystal Grey or Black
141	AMG Black MB-Tex	Black	Black	Black/Black	Black	Black	Black
144	AMG Saddle Brown MB-Tex	Saddle Brown	Black	Black/Black	Black	Black	Black
145	AMG Silk Beige MB-Tex	Silk Beige	Black	Black/Black	Black	Black	Black
201	Black Leather	Black	Black	Black/Black	Black	Black	Crystal Grey or Black
215	Silk Beige Leather	Beige	Black	Black/ Silk Beige	Black	Black	Porcelain or Black
228	Magma Grey Leather	Magma Grey	Black	Black/Black	Black	Black	Crystal Grey or Black
251	AMG Black Leather	Black	Black	Black/Black	Black	Black	Black
255	AMG Silk Beige Leather	Silk Beige	Black	Black/Black	Black	Black	Black
264	AMG Saddle Brown Leather	Saddle Brown	Black	Black/Black	Black	Black	Black
267	AMG Cranberry Red Leather	Cranberry Red	Black	Black/Black	Black	Black	Black
975	Platinum White Pearl/ Black Nappa Leather	Platinum White Pearl/Black	Black w/ White Piping	Black MB-Tex/Black	Black	Black	Black
974	Saddle Brown/ Black Nappa Leather	Saddle Brown	Black w/ Brown Piping	Black MB-Tex/Black	Black	Black	Black



H09
Natural Grain Brown Ash Wood trim
Option price: \$0



H07
Dark Brown Linden Wood Trim
Option price: \$0



H31
Natural Grain Grey Oak Wood Trim
Option price: \$0



737 + 739
Natural Grain Black Ash Wood Console and Brushed
Aluminum Door Trim
Option price: \$0



H33
Natural Grain Walnut Wood Trim
Option price: \$0





<i>Code</i>	<i>Packages</i>	<i>Availability</i>	<i>MSRP</i>
P01	<p>Premium Package</p> <p><i>Requires Blind Spot Assist (234) (\$550 included in package price)</i></p> <ul style="list-style-type: none"> ▪ 536 – SiriusXM® Satellite Radio ▪ 871 – HANDS-FREE ACCESS ▪ 881 – Electronic Trunk Closer ▪ 889 – KEYLESS-GO® ▪ 273 – Rear Cross-Traffic Alert (included with Blind Spot Assist (234)) 	All Models	\$ 1,600
318	<p>Leather Seating Package</p> <ul style="list-style-type: none"> ▪ 2XX – Leather Upholstery ▪ 242 – 3-Position Memory for Passenger Seat with Adjustable Thigh Support 	All Models	\$ 1,950
319	<p>Exterior Lighting Package</p> <p><i>Requires Premium Package (P01)</i></p> <ul style="list-style-type: none"> ▪ 608 – Adaptive Highbeam Assist ▪ 640 –LED Intelligent Light System 	All Models	\$ 900
320	<p>Multimedia Package</p> <p><i>Requires Premium Package (P01) or SiriusXM® Satellite Radio (536)</i></p> <ul style="list-style-type: none"> ▪ 531 – COMAND® Navigation with Voice Control ▪ 448 – Touchpad ▪ 502 – Navigation Map Updates for First Three Years ▪ 859 – 10.25” Center Display ▪ Car-to-X Communication 	All Models	\$ 2,600



<i>Code</i>	<i>Packages</i>	<i>Availability</i>	<i>MSRP</i>
996	<p>Parking Assistance Package <i>Requires Premium Package (P01) and one of Multimedia Package (320) or 10.25" Center Display (859)</i></p> <ul style="list-style-type: none"> ▪ 235 – PARKTRONIC with Active Parking Assist ▪ 501 – Surround View System 	All Models	\$ 1,090
321	<p>AMG Line <i>When ordered with Heated Steering Wheel (443) or designo Saddle Brown interior (P87), the flat-bottom steering wheel is replaced with a round steering wheel</i></p> <ul style="list-style-type: none"> ▪ 772 – AMG Body Styling ▪ P29 – AMG Line Interior ▪ P31 – AMG Line Exterior ▪ 51U – Black Fabric Headliner ▪ 5U4 – Diamond Grille ▪ 486 – Sport Suspension with Sport Steering System ▪ Flat-bottom Steering Wheel ▪ Braking system with perforated front discs and Mercedes-Benz lettered brake calipers ▪ Brushed aluminum sport pedals with rubber studs ▪ AMG Carpeted Floor Mats 	All Models	\$ 2,000
521	<p>Night Package <i>Requires AMG Line (321)</i></p> <ul style="list-style-type: none"> ▪ P55 – Night Package code ▪ High-gloss black elements: front splitter, grille trim, rear diffuser, side mirrors, window trim, side skirts ▪ Wheel Choice of: <ul style="list-style-type: none"> ▪ RSK - 18" AMG 5-Spoke Wheels w/ Black Accents with all-season, run-flat tires ▪ 665 – 19" AMG Multispoke Wheels w/ Black Accents with performance, run-flat tires (+\$500) ▪ 604 – 19" AMG Twin 5-Spoke Wheels w/ Black Accents with performance, run-flat tires (+\$850) 	All Models	\$ 300




<i>Code</i>	<i>Packages</i>	<i>Availability</i>	<i>MSRP</i>
997	<p>Driver Assistance Package <i>Requires Multimedia Package (320)</i></p> <ul style="list-style-type: none"> ▪ Active Distance Assist DISTRONIC® ▪ Active Steering Assist ▪ Evasive Steering Assist ▪ Active Lane Change Assist ▪ Active Lane Keeping Assist ▪ Active Blind Spot Assist ▪ Active Brake Assist w/ Cross-Traffic Function ▪ Active Emergency Stop Assist ▪ Active Speed Limit Assist ▪ Route-Based Speed Adaptation ▪ Extended Restart in Stop-and-Go Traffic <p><i>Requires Parking Assistance Package (996)</i></p>	All Models	\$ 2,250



<i>Code</i>	<i>Packages</i>	<i>Availability</i>	<i>MSRP</i>
P62	<p><i>designo</i> Two-Tone Platinum White Pearl / Black Nappa leather</p> <p><i>Requires heated front seats (873) or heated and ventilated seats (401)</i></p> <ul style="list-style-type: none"> ▪ 975 - <i>designo</i> Platinum White Pearl / Black Two-Tone Nappa leather seats in diamond quilt design with white contrast stitching ▪ U04 - <i>designo</i> black floor mats with white border and <i>designo</i> badge in the front floor mats ▪ 51U - Black fabric headliner ▪ 242 - Memory passenger seat with adjustable thigh support ▪ U09 - Dashboard and Upper Doors in MB-Tex with topstitching ▪ Center door panels in <i>designo</i> Platinum White Pearl Nappa leather and center console armrest in <i>designo</i> Black Nappa leather ▪ Flat-bottom sport multifunction steering wheel in black Nappa leather (Standard round steering wheel always replaced) 	All Models	\$ 3,800
P87	<p><i>designo</i> Saddle Brown / Black Nappa leather</p> <p><i>Requires heated front seats (873) or heated and ventilated seats (401)</i></p> <ul style="list-style-type: none"> ▪ 974 - <i>designo</i> Saddle Brown Nappa leather seats in diamond quilt design with beige contrast stitching and piping on seat and headrests ▪ U04 - <i>designo</i> black floor mats with saddle brown border and <i>designo</i> badge in the front floor mats ▪ 51U - Black fabric headliner ▪ 242 - Memory passenger seat with adjustable thigh support ▪ U09 - Dashboard and Upper Doors in MB-Tex with topstitching ▪ Center door panels and armrests in <i>designo</i> Saddle Brown Nappa leather ▪ Round multifunction steering wheel in black Nappa leather with smooth leather side grips (if ordered with AMG Line, flat bottom steering wheel is always replaced) 	All Models	\$ 3,800

Stand-Alone Options



<i>Code</i>	<i>Options</i>	<i>Availability</i>	<i>MSRP</i>
234	Blind Spot Assist <i>Required w/ Premium Package (P01) Package Includes Rear Cross-Traffic Alert (273)</i>	All Models	\$ 550
355	SD-Card Navigation Pre-Wiring	All Models	\$ 200
401	Heated & Ventilated Front Seats <i>Only available w/ Leather Seating Package (318) or designo Packages (P62 or P87), and not available w/ Heated Front Seats (873)</i>	All Models	\$ 1,030
413	Panorama roof	All Models	\$ 1,000
443	Heated Steering Wheel <i>AMG Line (321) loses Flat-bottom Steering Wheel</i>	All Models	\$ 250
463 	Head-Up Display	All Models	\$ 990
464	12.3" Digital Instrument Cluster <i>Requires Multimedia Package (320) or 10.25" Center Display (859)</i>	All Models	\$ 750
540	Power Rear-window Sunshade	All Models	\$ 440
810	Burmester® Premium Sound System	All Models	\$ 850
859	10.25" Center Display <i>Not available w/ Multimedia Package (320)</i>		\$ 300
873	Heated Front Seats <i>Not available with Heated & Ventilated Front Seats (401)</i>	All Models	\$ 580
877+U25	64-Color Ambient Lighting & Illuminated Doorsills	All Models	\$ 310
897	Inductive Wireless Charging & NFC Pairing	All Models	\$ 170
U09	MB-Tex Upper Dashboard and Doors with Topstitching <i>Requires AMG Line, Included in designo Packages (P62, P87)</i>	All Models	\$ 350
536	SiriusXM Radio with 6-month All-Access Plan trial	All Models	\$ 460

Stand-Alone Options



<i>Code</i>	<i>Options</i>	<i>Availability</i>	<i>MSRP</i>
608	Adaptive Highbeam Assist <i>Not available with Exterior Lighting Package (319)</i>	All Models	\$ 750

Stand-Alone Options



<i>Code</i>	<i>VPC Installed Accessories</i>	<i>Availability</i>	<i>MSRP</i>
26A	MB Entry Navigation <i>Requires SD-Card Navigation Pre-Wiring (355)</i>	All Models	\$ 625
068	Wheel Locking Bolts	All Models	\$ 150
070	Chrome Door Handle Inserts	All Models	\$ 100
104	Body Color Rear Spoiler <i>Not available with Carbon Fiber-look Spoiler (20A) or Black Spoiler (21A)</i>	All Models	\$ 350
11A	Black Mirror Housing Covers <i>Not available with Night Package (521) or Carbon Fiber-look Mirror Housing Covers (16A)</i>	All Models	\$ 250
16A	Carbon Fiber-look Mirror Housing Covers <i>Not available with Night Package (521) or Black Mirror Housing Covers (11A)</i>	All Models	\$ 250
15A	LED Logo Projectors (Set of 2)	All Models	\$ 275
00A	Illuminated Star <i>Not with Driver Assistance Package (997)</i>	All Models	\$ 450
137	Comfort Box	All Models	\$ 250
20A	Carbon Fiber-look Spoiler <i>Not available with Body Color Rear Spoiler (104) or Black Spoiler (21A)</i>	All Models	\$ 350
21A	Black Spoiler <i>Not available with Body Color Rear Spoiler (104) or Carbon Fiber-Look Spoiler (20A)</i>	All Models	\$ 350



Steering Wheel



Multifunction steering wheel (L3B)

Standard

- Newly redesigned 3-spoke multifunction steering wheel in nappa leather
- Touch Control buttons for direct control of the instrument cluster and to control the functions of the multimedia system.
- Steering wheel shift paddles in the steering wheel color
- Optional Active Distance Assist DISTRONIC® or std cruise control is controlled via steering wheel-mounted controls



Multifunctional sports steering wheel (L5C)

Requires AMG Line (321)

N/A with heated steering wheel (443)

- Elegant 3-spoke multifunction steering wheel design, flattened bottom section with a particularly compact, and extremely sporty look/ feel
- Shift paddles in a fine electroplated finish



Heated Steering Wheel (443)

Option Price: \$250

Not available with designo Packages (P62 or P87)

AMG Line (321) loses Flat-bottom Steering Wheel

- On cold days, the heated 3-spoke steering wheel rim very quickly warms the grip area of the steering wheel to around 95°F to ensure pleasantly warm hands.
- The function is switched on and off by turning the control lever for adjusting the multifunction steering wheel.



Specifications



	<i>C 300</i>	<i>C 300 4MATIC</i>
Engine Configuration	2.0L Inline-4 Turbo	2.0L Inline-4 Turbo
Power (hp)	255	255
Torque (lb-ft)	273	273
Displacement (cc)	1.991	1.991
Acceleration 0-60 mph (sec)	5.7	5.7
Fuel Economy (Cty/Hwy/Comb)	23/34/27	23/33/26
Top Speed (mph)	130 (lim.)	130 (lim.)
Fuel Requirement (Octane)	91	91
# Valves per cylinder	4	4
Compression	9.8 : 1	9.8 : 1
Transmission	9G-TRONIC PLUS	9G-TRONIC PLUS
Transmission Speeds	9	9
Drive Configuration	Rear-Wheel Drive	All-Wheel Drive
Fuel Tank Size (gallons)	17.4	17.4
Trunk Size (cubic feet)	12.6	12.6
Curb Weight (lbs)	3,472	3,605
Vehicle Length (in.)	184.5	184.5
Vehicle Width w/ exterior mirrors (in.)	79.5	79.5
Vehicle Width w/o exterior mirrors (in.)	71.3	71.3
Vehicle Height (in.)	56.8	56.8
Wheelbase (in.)	111.8	111.8
Track Width Front/Rear (in.)	61.53/60.86	61.61/60.75
Coefficient of Drag (Cd)	0.30	0.30



AMG C-Class Sedan



W205

Model Year 2019

AMG
DRIVING PERFORMANCE

C43, C63, & C63S



Models



What's new



Standard Equipment



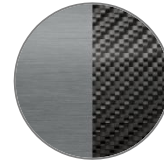
Exterior Paint Colors



Wheels



Interior Upholstery



Interior Trims



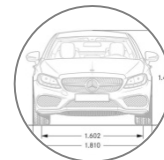
Option Packages



Stand-Alone Options



Options in Detail



Specifications



AMG C43 (205.064)

- MSRP \$55,250
- AMG-enhanced 3.0L V6 biturbo engine
- 385 hp
- 384 lb-ft
- 4.6 sec (0-60 mph)
- Launch Date Q3 2018



AMG C63 (205.086)

- MSRP \$67,000
- Handcrafted AMG 4.0L V8 biturbo engine
- 469 hp
- 479 lb-ft
- 3.9 sec (0-60 mph)
- Launch Date Q4 2018



AMG C63 S (205.087)

- MSRP \$74,600
- Handcrafted AMG 4.0L V8 biturbo engine
- 503 hp
- 516 lb-ft
- 3.8 sec (0-60 mph)
- Launch Date Q4 2018

Standard Equipment

- C43: Renamed AMG SPEEDSHIFT® TCT 9-Speed transmission
- C63/C63 S: New AMG SPEEDSHIFT® MCT 9-Speed transmission
- C63 S: AMG DRIVE UNIT (U88) incl. AMG TRACTION CONTROL carried over from GT R
- Smartphone Integration Package (Apple CarPlay™ & Android Auto) becomes standard
- 10.25" Center Screen becomes standard
- Updated steering wheel w/ haptic feedback touchpads and cruise control buttons
- C63/C63 S: AMG-Specific Grille (new for C-Class)
- New rear apron and diffuser
- C43: New 18" AMG Wheels
- Addition of "Slippery" mode in AMG DYNAMIC SELECT
- New SmartKey in black with AMG crest and AMG lettering
- C43: Power output increases +23hp to 385 hp
- C43: LED Headlamps now standard on C43
- Redesign of LED headlamps and taillamps for all AMG C-Class models
- C43: New AMG radiator grille with twin louver design in matte silver
- C43: New round twin tailpipe design
- C63: New double angular tailpipe design
- C63: Electronic limited slip differential now standard
- C63/C63 S: U78 AMG Performance Exhaust System now standard

Optional Equipment

- 12.3" Digital Instrument Cluster (464) now available
- Advanced Lighting Package changed to Exterior Lighting Package and updated to include Active LED Headlamps and Adaptive Highbeam Assist
- 64-Color Ambient Lighting & AMG Illuminated Door Sills (877+U25) now available as a stand-alone option
- New steering wheel options, including full DINAMICA & wheels with wood or carbon trim
- AMG DRIVE UNIT option available for 63 model steering wheels for added functionality (standard on C63 S)
- Natural Grain Grey Oak Wood Trim (H31) replaces Natural Grain Brown Ash Wood (H09)
- Natural Grain Walnut Wood Trim (H33) now available
- C43: Saddle Brown (264) replace Crystal Grey upholstery
- C63/C63 S: New upholstery Magma Grey/Black with Yellow Stitching (858)
- Inductive Wireless Charging and NFC Pairing (897) available as a stand-alone
- AMG Performance Seats (555) now available with seat heating and ventilation on leather upholsteries
- 5 new wheel options across AMG C-Sedan lineup

Paints

- Emerald Green Metallic (989) replaces Diamond Silver Metallic
- Mojave Silver Metallic (859) replaces Dakota Brown Metallic

Smartphone Integration (14U)

Standard equipment

Includes Android Auto and Apple CarPlay



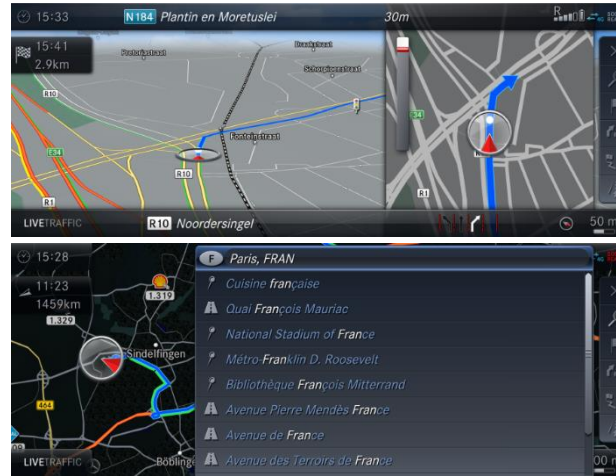
Smartphone Integration makes safe use of mobile devices possible while on the move. The connection to the smartphone allows access to up-to-date software and data such as navigation and traffic information, media (streaming media and IP radio) as well as contact data and messaging. To prevent driver distraction while on the move, there is no complete duplication of smartphone content.

A data connection via the mobile phone is necessary for certain functions. The functions supported also depend on the smartphone. The information provided by the smartphone manufacturer will also indicate the compatible devices and functions.

MB Entry Navigation (26A)

Requires Pre-Installation for SD Card Navigation (355)

Option price: \$625



Mercedes-Benz has developed an in-house navigation system via an SD card with the same look and feel as the high-end COMAND Navigation and with similar functionality. This replaces the outgoing Garmin SD-Card Navigation. The MB Entry Navigation is capable of route guidance with an estimated 25% speed increase.

Please note that the card must be ordered with the 355 Pre-Installation for SD-Card Navigation before MB Entry Navigation can be loaded onto the vehicle. The dealer or VPC can install MB Entry Navigation.

Multimedia Package (320)

Option price: \$2,600



The Multimedia Package offers the latest in headunit and navigation software for the C-Class. COMAND has been upgraded to NTG 5.5 - the same level as the E-Class and S-Class, and includes Enhanced Voice Control. Full maps with 3D capability and 3 years of free updates are included as well as SNAP overlays for gas prices, weather, parking availability, and more. Live Traffic information and Car-to-X Communication are also included alongside COMAND.

This package also includes the Central Controller and Touchpad as well as the larger, 10.25" central display.

Multimedia Package is required for the Driver Assistance Package and the Digital Instrument Cluster (464) as well as any online functions like MB Apps and WiFi.

Enhanced Voice Control



Operate COMAND® and vehicle functions safely and conveniently via Voice Control

Included in Multimedia Package

The voice-operated control system allows the multimedia system and now some of the vehicle functions to be operated while driving with as little distraction as possible. Activating Voice Control by pressing the button on the right of the multifunction steering wheel enables the driver to keep their hands on the steering wheel. The system is switched off via the back button on the steering wheel or pressing the same Voice Control button.

Typical commands for the system include:

- "Navigate to address, POI, contact" - this universal command enables input of all types of destinations and initiates a search through the address book contacts, the navigation database and also on the internet for Points Of Interest
- "Call name (or) number" - this command allows an address book contact as well as a phone number to be called
- "Station name" - this command allows an available station name to be selected when the radio is switched on

But now, in-vehicle functions can be controlled as well. For example:

- "Turn seat heating on"
- "Change ambient light to blue"
- "Set climate control to 68 degrees"

Vehicle functions can also be controlled with commands such as "Show me the climate control settings menu" or "Start massage". Voice Control can also be used for controlling Mercedes-Benz Apps. For example with commands such as "Find a nearby restaurant" in the POI search.

LED Headlamps (632) & LED Intelligent Light System (640)



LED Headlamps (632)

Standard

- Redesigned LED headlamps are now standard equipment improving the look of the standard C-Class as well as providing increased safety due to brighter and higher quality headlamps.



LED Intelligent Light System with Ultra Wide Beam (640)

Optional

- Redesigned headlamp incorporates updated technology and look for the C-Class
- Ultra Wide Beam produce light at an increased width for maximum illumination of the road and surround area
- Adaptive Highbeam Assist is part of the LED Intelligent Light System and allows drivers to drive with highbeams activated at all times. System will automatically deactivate highbeams in the presence of oncoming traffic so as not to blind oncoming drivers.

New Generation Sport Steering Wheel



AMG Performance Steering Wheel

Standard

The newly redesigned multifunction sport steering wheel in Nappa leather combines a sporty design, compact dimensions and fine materials.

- Silver-colored steering wheel shift paddles integrated into the back of the steering wheel cross spokes enable manual gear shifting and support a sporty driving style
- Flattened lower section and perforated side grips for a more sporty appeal
- Optional Active Distance Assist DISTRONIC® or standard cruise control is controlled via steering wheel-mounted controls.
- Touch Control buttons for direct control of the instrument cluster (analogue or digital) and to control the functions of the multimedia system.

Inductive Wireless Charging and NFC Pairing



Inductive Wireless Charging and NFC Pairing (897)

Option price: \$170

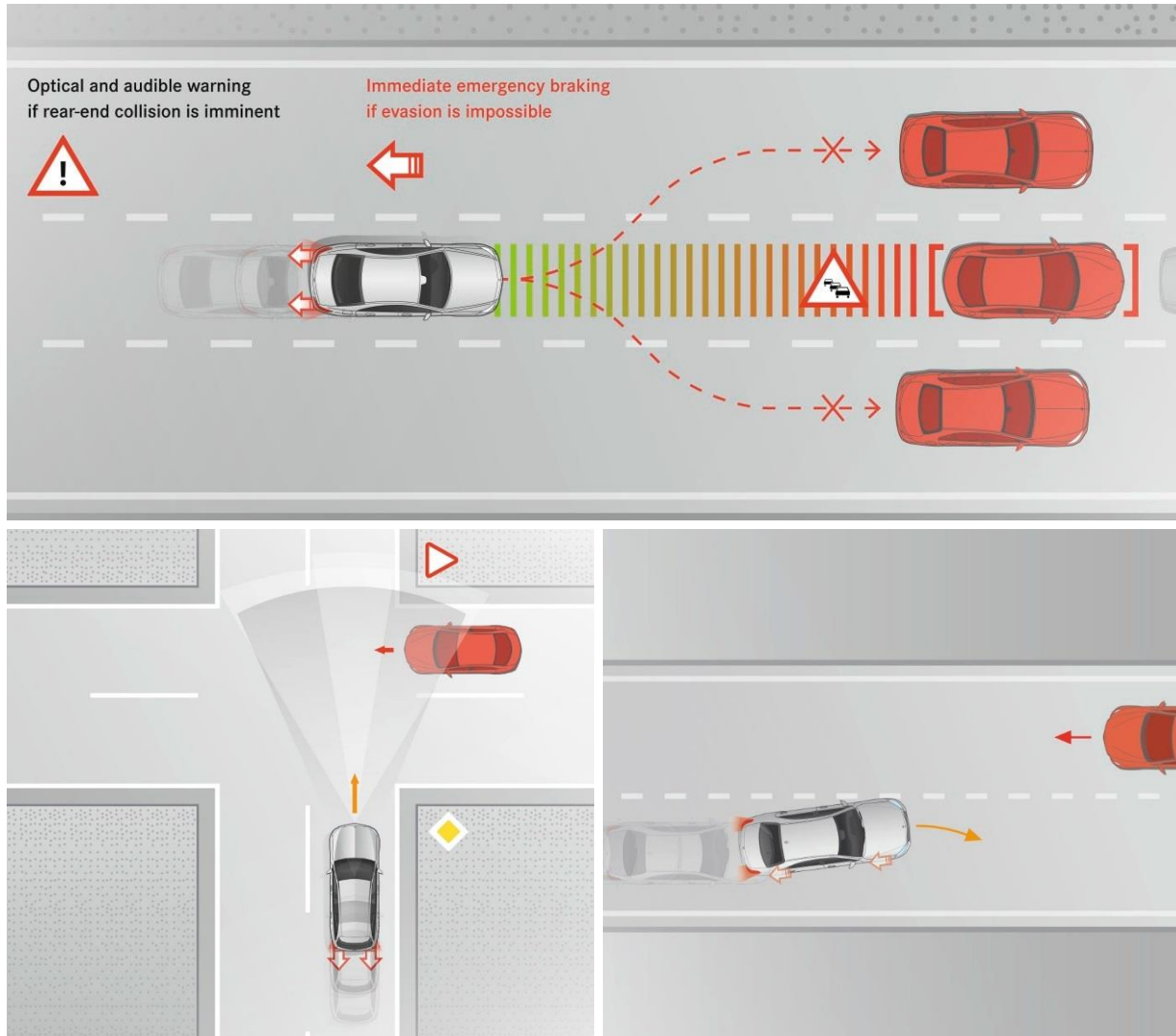
Driving time becomes charging time - with just a simple hand movement your smartphone can be fixed in place in the center console where it is charged wirelessly. Irrespective of the model and brand, all smartphones meeting the Qi standard are charged wirelessly.

Components:

- Wireless charging for numerous mobile phones that support or can be upgraded to support the Qi standard
- Quick establishment of connection between the multimedia system and mobile phone via Near Field Communication (NFC) for mobile device identification
- Charging area in the front tray in the center console for mobile devices



Driver Assistance Systems



Driver Assistance Package (997)

Option price: \$2,250

- **Active Distance Assist DISTRONIC®** is able to follow a vehicle in front at a pre-selected distance at wider range of speeds
- **Active Steering Assist** functions at a wider range of speeds and can now actively intervene even if road lines are unclear or non-existent at certain speeds; can now function in curves with a tighter radius
- **Active Emergency Stop Assist** brakes the vehicle to a standstill in its lane if it detects that the driver is no longer actively driving the vehicle while it is on the move with Active Distance Assist DISTRONIC and Active Steering Assist engaged. Can now unlock the doors when the vehicle is stationary to allow first aid responders immediate access to the vehicle's interior. With available mbrace® Secure, the system simultaneously makes an emergency call
- **Active Lane Change Assist** is a radar-and-camera-based system that aids the driver when changing lanes. When a turn is indicated, this feature will aid with steering into the adjacent lane if it detects the lane is empty
- **Active Speed Limit Assist** can adapt vehicle speed to identified speed limits and can now adjust preemptively when speed limits are going to change
- **Route-Based Speed Adaptation** the vehicle is now able to reduce the speed in anticipatory mode by referencing the COMAND map data ahead of bends, junctions, roundabouts, toll booths and exit roads.
- **Active Brake Assist with Cross-Traffic Function**
- **Evasive Steering Assist** this system assists by adding calculated steering torque to aid in steering wheel movement when a driver deliberately or instinctively performs an evasive maneuver around a pedestrian
- **Active Blind Spot Assist** is active at a wider range of speeds and informs the driver to help avoid an imminent side impact by single-sided braking
- **Active Lane Keeping Assist** is active now at a wider range of speeds



Rear Cross-Traffic Alert

Rear Cross-Traffic Alert (273) – Standard

Option price: N/A

The vehicle uses sensors embedded in the rear bumper to help drivers when backing out of parking spaces. When backing out, if a vehicle approaches behind the driver, an audible and visual warning will occur. This function activates only within slow speeds (0-6.2 mph). The visual warning is seen in the multimedia display when viewing the rear-view camera. Depending on the situation, braking may also be activated to reduce or eliminate impact to other vehicles.

If sensors are blocked, this function may be limited (soiling, by obstacles, or by poor angle of the sensors).

Performance & Handling

- AMG SPEEDSHIFT® TCT 9-speed transmission – C43
- AMG SPEEDSHIFT® MCT 9-speed transmission – C63/ C63 S
- AMG RIDE CONTROL sport suspension with adaptive 3-stage damping
- AMG DYNAMIC SELECT
- AMG Performance 4MATIC – C43
- AMG Electronic limited-slip differential – C63 / C63 S
- Dynamic Engine Mounts – C63 S
- 18” Wheels – C43/C63
- 19” Wheels – C63 S
- AMG Performance Exhaust System – C63 / C63 S

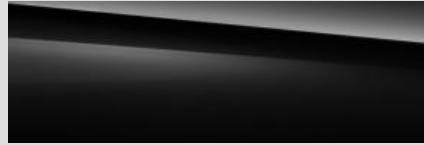
Comfort & Convenience

- KEYLESS START
- KEYLESS-GO
- Two USB Ports
- Bluetooth® Technology (for Handsfree Phone Use/Audio Streaming)
- HD Radio
- SiriusXM Satellite Radio
- Burmester® Surround Sound System (C63 / C63 S)
- Power and Heated Front Seats with Memory
- 4-way Lumbar Support
- Power Tilt & Telescoping Steering Column
- Power-Folding Mirrors
- Electronic Cruise Control
- Central Controller with 10.25” Media Display
- C43/C63: AMG Nappa Leather Performance Steering Wheel
- C63 S: AMG Performance Steering Wheel in Nappa/DINAMICA
- C63 S: AMG DRIVE UNIT
- Dual-zone Automatic Climate Control
- Garage Door Opener
- Intermittent Wipers with Rain Sensor
- Power tilt/sliding sunroof
- LED Headlamps and taillights
- Auto-Dimming Driver & Rearview Mirror
- Front and Rear Cupholders
- Split-Folding Rear Seats (40/20/40)
- HANDS-FREE ACCESS
- Electronic Trunk Closer
- Smartphone Integration for Apple CarPlay and Android Auto

Safety & Security

- New Vehicle 4 Year/50,000 Mile Warranty
- 24h Roadside Assistance Program
- 3-point Seat Belt with Pretensioners & Dual-Stage Belt Force Limiter
- Front Dual-Stage Airbags
- Front and Rear Side Window Airbags
- Front Side Airbags
- Driver & Passenger Kneebags
- Blind Spot Assist
- ISOFIX Anchor and Tether System
- ATTENTION ASSIST Driver Drowsiness Monitor
- Active Brake Assist
- PRE-SAFE
- Smart Key with Panic Button
- Tire Pressure Monitoring System
- Anti-theft Alarm System
- Rearview Camera

Non-metallic Paints



040
Black
Option price: \$0



149
Polar White
Option price: \$0

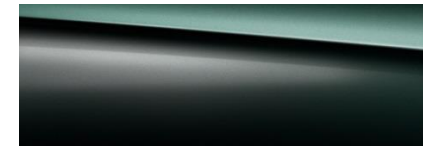
Metallic Paints



197
Obsidian Black
Option price: \$720



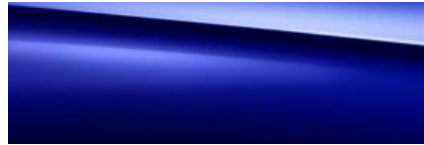
775
Iridium Silver
Option price: \$720



989
Emerald Green
Option Price: \$720



890
Lunar Blue
Option price: \$720



896
Brilliant Blue
Option price: \$720



859
Mojave Silver
Option Price: \$720



992
Selenite Grey
Option price: \$720

designo® Paints



996
Cardinal Red
Option price: \$1,080



799
Diamond White
Option price: \$1,515



RSJ
18" 5-Spoke
R02, R66
Option price: \$0
C 43 only



605
19" Multispoke
R01, R66
Option price: \$850
C 43 only



RSU
19" AMG Twin 5-Spoke
R01, R66
Option price: \$850
C 43 only



RSV
19" AMG Twin 5-Spoke
w/Black Accents
R01, R66
Option price: \$850
C 43 only



RVD
19" Multispoke, Matte Black
R01, R66
Option price: \$1,350
C 43 only



RUP
18" AMG 10-Spoke
R01, B51
Option price: \$0
C 63 only (std)



RSW
19" AMG Twin 5-Spoke
R01, B51
Option price: \$850/\$0
C 63/63 S only
(std on 63 S)



770
19" AMG Forged Cross-Spoke
R01, B51
Option price: \$1,950/\$1,250
C 63/63 S only



662
19" AMG Forged Cross-Spoke
Black
R01, B51
Option price: \$2,450/\$1,750
C 63/63 S only

<i>Code</i>	<i>Wheel Size</i>	<i>Description</i>	<i>Wheel Dimensions</i>	<i>Mobility</i>	<i>Availability</i>	<i>MSRP</i>
RSJ	18"	5-Spoke Wheel	225/45 R18 on 7.5 J x 18 ET44 (Front) 245/40 R18 on 8.5 J x 18 ET49 (Rear)	R02, R66	C 43 only	\$ 0
605	19"	Multispoke	225/40 R 19 on 7.5 J x 19 H ET36 (Front) 255/35 R 19 on 8.5 J x 19 H ET52 (Rear)	R01, R66	C 43 only	\$ 850
RVD	19"	Multispoke, Black	225/40 R 19 on 7.5 J x 19 H ET36 (Front) 255/35 R 19 on 8.5 J x 19 H ET52 (Rear)	R01, R66	C 43 only	\$ 1,350
RSU	19"	Twin 5-Spoke	225/40 R 19 on 7.5 J x 19 H ET33 (Front) 255/35 R 19 on 8.5 J x 19 H ET40 (Rear)	R01, R66	C 43 only	\$ 850
RSV	19"	Twin 5-Spoke, Black	225/40 R 19 on 7.5 J x 19 H ET33 (Front) 255/35 R 19 on 8.5 J x 19 H ET49 (Rear)	R01, R66	C 43 only	\$ 850
RUP	18"	AMG 10-Spoke	245/40 R 18 on 9.0 J x 18 ET38 (Front) 265/40 R 18 on 10.5 J x 18 ET56 (Rear)	R01, B51	C 63 only	\$ 0
RSW	19"	AMG Twin 5-Spoke	245/40 R 19 on 9.0 J x 19 ET45 (Front) 265/35 R 19 on 10.5 J x 19 ET56 (Rear)	R01, B51	C 63 C 63 S	\$ 850 \$ 0
770	19"	AMG Forged Cross-Spoke	245/40 R 19 on 9.0 J x 19 ET45 (Front) 265/35 R 19 on 10.5 J x 19 ET56 (Rear)	R01, B51	C 63 C63 S	\$ 1,950 \$ 1,250
662	19"	AMG Twin 5-Spoke, Matte Black	245/40 R 19 on 9.0 J x 19 ET45 (Front) 265/35 R 19 on 10.5 J x 19 ET56 (Rear)	R01, B51	C63 C63 S	\$ 2,450 \$ 1,750



641

Black w/ DINAMICA and Red Topstitching
Option price: \$0 (C 43 only)



641 + 555

Black w/ DINAMICA and Red Topstitching
w/ AMG Performance Seats
Option price: \$2,500 (C 43 only)
*Not available with backrest side bolster and
thigh bolster adjustment*



611

Black w/ DINAMICA
Option price: \$0 (C 63 only)



611 + 555

Black w/ DINAMICA w/ AMG Performance Seats
Option price: \$2,500 (C 63 only)
*Not available with backrest side bolster and thigh
bolster adjustment*

Interior Upholstery – Leather



251
Black
Option price: \$1,620
C43 only



264
Saddle Brown/Black
Option price: \$1,620
C43 only



267
Cranberry Red
Option price: \$1,620
C43 only
Not in conjunction with 989 paint



241
Black w/ Red Topstitching
Option price: \$1,620
C43 only



241 + 555
Black w/ Red Topstitching w/ AMG Performance Seats
Option price: \$4,120
C43 only

Interior Upholstery – Nappa Leather



801
Black

Option price: \$2,590/\$0
C 63 / C 63 S only



851

Platinum White Pearl/Black
Option price: \$2,590/\$0
C 63 / C 63 S only



857

Red Pepper/Black
Option price: \$2,590/\$0
C 63 / C 63 S only



811

Black w/ Grey Accents
Option price: \$0
C 63 S only



858

Magma Grey/Black with Yellow Stitching
Option price: \$2,590/\$0
C 63 / C 63 S only

Interior Upholstery – Nappa Leather



801 + 555

Black w/ AMG Performance Seats

Option price: \$5,090/\$2,500

C 63 / C 63 S only



851 + 555

Platinum White Pearl/Black w/ AMG Performance Seats

Option price: \$5,090/\$2,500

C 63 / C 63 S only



857 + 555

Red Pepper/Black w/ AMG Performance Seats

Option price: \$5,090/\$2,500

C 63 / C 63 S only



811 + 555

Black w/ Grey Accents w/ AMG Performance Seats

Option price: \$2,500

C 63 S only



858 + 555

Magma Grey/Black with Yellow Stitching

w/ AMG Performance Seats

Option price: \$5,090/\$2,500

C 63 / C 63 S only

Interior Upholstery – *designo* Nappa leather



C 43: 975

C 63 / C 63 S: 965

Platinum White Pearl/Black

Option price: \$3,100 (C 43/C63)/\$500 (C 63 S)

Requires P62 Package



965

Platinum White Pearl/Black
w/ AMG Performance Seats

Option price: \$5,600 (C 43 only)

Requires P63 Package



965

Platinum White Pearl/Black
w/ AMG Performance Seats

Option price: \$5,600 (C 63)/\$3,000 (C 63 S)

Requires P62 Package and 555 AMG Performance Seats



C 43: 974

C 63 / C 63 S: 964

Saddle Brown/Black

Option price: \$3,100 (C 43/C63)/\$500 (C 63 S)

Requires P87 Package



964

Saddle Brown/Black w/ AMG Performance Seats

Option price: \$5,600

C 43 only

Requires P88 Package



964

Saddle Brown/Black w/ AMG Performance Seats

Option price: \$5,600 (C 63)/\$3,000 (C 63 S)

Requires P87 Package and 555 AMG Performance Seats

<i>Code</i>	<i>Upholstery</i>	<i>Seats</i>	<i>Floor Mats</i>	<i>Upper Dash/Lower Dash</i>	<i>Seat Belts</i>
641	Black MB-Tex w/ DINAMICA and Red Topstitching	Black w/ Red Topstitching	Black	Black/Black	Red
611	Black MB-Tex w/ DINAMICA	Black	Black	Black/Black	Black
251	Black leather	Black	Black	Black/Black	Black
267	Cranberry Red leather	Cranberry Red	Black	Black/Black	Black
241	Black leather w/ Red Topstitching	Black w/ Red Topstitching	Black	Black/Black	Red
264	Saddle Brown/Black leather	Saddle Brown	Black	Black/Black	Black
801	Black Nappa leather	Black	Black	Black/Black	Black
851	Platinum White Pearl/Black Nappa leather	Black/Platinum White	Black	Black/Black	Black
857	Red Pepper/Black Nappa leather	Black/Red Pepper	Black	Black/Black	Black
858	Magma Grey/Black Nappa leather with Yellow Accents	Magma Grey	Black	Black/Black	Black
811	Black Nappa leather w/ Grey Accents	Black	Black	Black/Black	Silver
965/975	Platinum White Pearl/Black Nappa leather	Platinum White/Black	Black	Black/Black	Black
964/974	Saddle Brown/Black Nappa leather	Saddle Brown/Black	Black	Black/Black	Black



737 + 739
Natural Grain Black Ash Wood
(door trim in Aluminum)
Option price: \$0



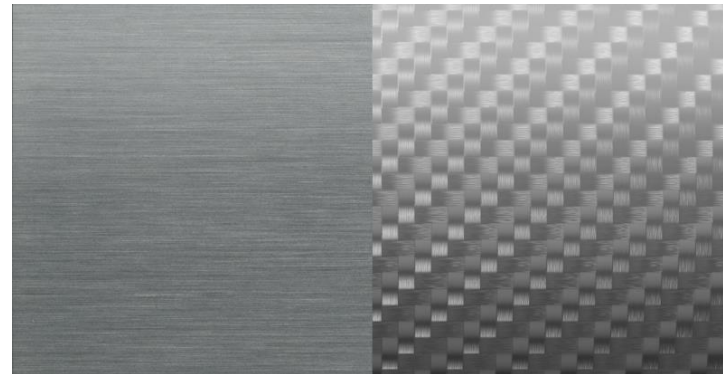
H33
Natural Grain Walnut Wood
Option price: \$0



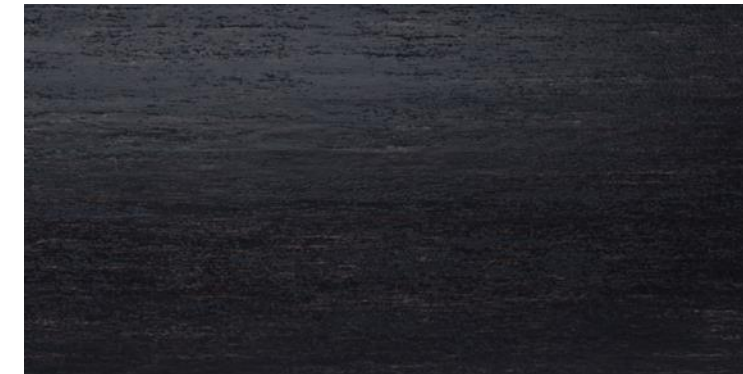
H07
Dark Brown Linden Wood
Option price: \$0



H73
AMG Carbon Fiber
(door trim in Aluminum)
Option price: \$975



H84
AMG Silver Fiber Glass
(door trim in Aluminum)
Option price: \$975



H31
Natural Grain Grey Oak
Option price: \$0

<i>Code</i>	<i>Packages</i>	<i>Availability</i>	<i>MSRP</i>
P01	Premium Package <i>Standard</i> <ul style="list-style-type: none"> ▪ 234 – Blind Spot Assist ▪ 273 – Rear Cross-Traffic Alert ▪ 500 – Power Folding Mirrors ▪ 536 – SiriusXM® Satellite Radio ▪ 871 – HANDS-FREE ACCESS ▪ 881 – Electronic Trunk Closer ▪ 889 – KEYLESS-GO® 	All Models	
319	Exterior Lighting Package <ul style="list-style-type: none"> ▪ 640 – LED Intelligent Light System ▪ 608 – Adaptive Highbeam Assist 	All Models	\$ 900
320	Multimedia Package <ul style="list-style-type: none"> ▪ 531 – COMAND® Navigation ▪ 448 – Touchpad ▪ 502 – Navigation Map Updates for First Three Years 	All Models	\$ 2,300

<i>Code</i>	<i>Packages</i>	<i>Availability</i>	<i>MSRP</i>
996	Parking Assistance Package <ul style="list-style-type: none"> ▪ 235 – Active Parking Assist ▪ 501 – Surround View System 	All Models	\$ 1,090
997	Driver Assistance Package <i>Requires Multimedia Package (320)</i> <ul style="list-style-type: none"> ▪ Active Distance Assist DISTRONIC® ▪ Active Steering Assist ▪ Evasive Steering Assist ▪ Active Lane Change Assist ▪ Active Lane Keeping Assist ▪ Active Blind Spot Assist ▪ Active Brake Assist w/ Cross-Traffic Function ▪ Active Emergency Stop Assist ▪ Active Speed Limit Assist ▪ Route-Based Speed Adaptation 	All Models	\$ 1,800
B28	AMG Exterior Carbon Fiber Trim Package Carbon fiber elements: Exterior Mirror Covers and Trunk Lid Spoiler	All Models	\$ 1,750
521	AMG Night Package C 43: <ul style="list-style-type: none"> ▪ P55: High-gloss black elements: front splitter trim strip, front louver insert; black chrome-plated exhaust pipes C 63 & C 63 S: <ul style="list-style-type: none"> ▪ P60: High-gloss black elements: A-wing and trim strip on front bumper, side sill inserts, exterior mirror housings, window trim; black chrome-plated exhaust pipes ▪ For C63 S, 521 also includes trim strip in rear apron in gloss black 	C 43 C 63 & C 63 S	\$ 300 \$ 750

Stand-Alone Options

Code	Options	Availability	MSRP
256	AMG Track Pace <i>Requires Multimedia Package (320)</i>	C43/C63 C63 S	\$ 250 \$ 0
260	Rear Deck Lid Badge Delete	C63/C63 S	\$ 0
355	Pre-Installation for SD-Card Navigation	All models	\$ 200
401	Heated & Ventilated Front Seats <i>C 43: Requires leather or designo Nappa leather upholstery</i> <i>C 63/C 63 S: Requires Nappa leather or designo Nappa leather upholstery (Nappa leather upholstery is standard on C63 S)</i>	C 43 C 63/C 63 S	\$ 450 \$ 450
413	Panorama Roof	All Models	\$ 1,000
463	Head-Up Display w/ AMG-specific content (Limited Availability)	All Models	\$ 990
464	12.3" Digital Instrument Cluster	All models	\$ 750
540	Power Rear-Window Sunshade	All Models	\$ 440
810	Burmester® Surround Sound System	C43	\$ 850
877+U25	64-Color Ambient Lighting & AMG Illuminated Door Sills	All Models	\$ 310
897	Inductive Wireless Charging and NFC Pairing	All Models	\$ 170
B07	AMG Ceramic Composite Front Braking System	C63 S	\$ 5,450
K33	Extended Restart in Stop & Go Traffic <i>Requires both 996 and 997 packages</i>	All Models	\$ 0
U17	Replace Red Seat Belts or Silver Seat Belts with Black <i>Applies only to C43 upholsteries 641/241 and C63 S upholstery 811; all other upholsteries come with Black seat belts standard</i>	C43/C63 S	\$ 0
U78	AMG Performance Exhaust System <i>Standard on C63 and C63 S</i>	All Models	\$ 1,250
Y05	Red Seat Belts <i>C43: standard with 641 and 241, C63: only with 801 and 611, C63 S: only with 801 upholsteries</i>	C63/C63 S	\$ 500

<i>Code</i>	<i>Options</i>	<i>Availability</i>	<i>MSRP</i>
555	<p>AMG Performance Seats</p> <p><i>C43: Only available with upholsteries 241 and 641 (only in conjunction with 401 on upholstery 241)</i></p> <p><i>C63/C63 S: no upholstery restrictions</i></p>	All Models	\$ 2,500
U88	<p>AMG DRIVE UNIT</p> <p><i>Available on all steering wheels; Required with L6G; standard on C63 S</i></p>	C63	\$ 400
608	<p>Adaptive Highbeam Assist</p> <p><i>Not available with Exterior Lighting Package (319)</i></p>	All Models	\$ 750

<i>Code</i>	<i>VPC Installed Accessories</i>	<i>Availability</i>	<i>MSRP</i>
00A	Illuminated Star <i>Not available with 997 Driver Assistance Package</i>	All Models	\$ 450
068	Wheel Locks	All Models	\$ 150
070	Chrome Door Handle Inserts (set of 4)	All Models	\$ 100
11A	Black Mirror Housings <i>Not available with 521 AMG Night Package, 16A Carbon Fiber Look Mirror Housings, B28 Exterior Carbon-Fiber Package, and 040/197 paints</i>	C63 / C63 S	\$ 250
16A	Carbon Fiber Look Mirror Housings <i>Not available with 521 AMG Night Package, 11A Black Mirror Housings, or B28 Exterior Carbon-Fiber Package</i>	C63 / C63 S	\$ 250
137	Comfort Box	All Models	\$ 250
25A	AMG LED Crest Projectors	All Models	\$ 275
26A	MB Entry Navigation	All Models	\$ 625

Steering Wheels



AMG Performance Steering Wheel (L6J)

Standard on C 43 / C 63

Option price on C63 S: \$0

The AMG Performance steering wheel in Nappa leather features AMG-specific shift paddles

- "AMG" badge underscores the sporty character.
- Red stitching and red 12 o'clock marker only come on C43, and only when upholstery 641 or 241 are selected



AMG Performance Steering Wheel in Nappa/DINAMICA inserts (L6K)

Standard on C 63 S

Option price: \$500 (C43/C63)

- Grip area is finished in DINAMICA
- On C63 S, 12 o'clock marker and stitching are in red with upholstery 857, yellow with 858, and grey with 811, 851, and P62



AMG Performance Steering Wheel in DINAMICA (L6G)

Not available on C43

Option price: \$600 (C63) / \$100 (C63 S)

Requires U88 AMG DRIVE UNIT (which is std. on C63 S)

- Completely finished in black DINAMICA
- On C63 S, 12 o'clock marker and stitching are in red with upholstery 857, yellow with 858, and grey with 811, 851, and P62



Steering Wheels



AMG Performance Steering Wheel in Nappa/Piano Black Trim (L6L)

Optional on all AMG variants

Option price: \$700 (C43) / \$600 (C63) / \$100 (C63 S)

- Only in combination with the following interior trims: 737, H73
- Stitching and 12 o'clock marker always in black



AMG Performance Steering Wheel in DINAMICA/Carbon Fiber Trim (L6H)

Not available on C43

Option price: \$900 (C63) / \$400 (C63 S)

- Only in combination with the following interior trims: 737, H73
- Stitching and 12 o'clock marker always in black



AMG DRIVE UNIT (U88)

Not available on C43; Optional on C63; Standard on C63 S

For C63: Optional on L6J, L6K, L6L, and L6H steering wheels; Required on L6G wheel

Option price: \$400 (C63)

- Left rocker switch can be freely assigned functions such as manual mode, adjustment of AMG RIDE CONTROL, activation/deactivation of ESP, enable/disable AMG Performance Exhaust System (optional)
- Right round control knob: selection of drive programs and display of current selected mode

Brakes



Sports Braking System

Standard on C 43 (C 43 only)

4-piston front and single piston rear calipers

- Front axle: brake disks measuring 14.2 x 1.4 inch, internally ventilated and perforated, with 4-piston aluminum fixed caliper and black "AMG" lettering
- Rear axle: brake disks measuring 12.6 x 0.9 inch, internally ventilated, with 1-piston floating caliper with brake caliper-integrated electric parking brake
- Painted in silver brake calipers



AMG High-Performance Braking System (B06)

Standard on C 63 (C 63 only)

6-piston front and single piston rear calipers

- Front axle: integral brake discs measuring 14.2 x 1.4 inch, internally ventilated and perforated with 6-piston fixed caliper
- Rear axle: brake discs measuring 14.2 x 1.0 inch, internally ventilated and perforated with 1-piston floating caliper
- grey-painted brake calipers with white AMG lettering
- Painted in grey brake calipers



AMG High-Performance Composite Braking System (U70)

Standard on C 63 S (C 63 S only)

6-piston front and single piston rear calipers

- Front axle: Compound brake disc measuring 15.4 x 1.4 inch, internally ventilated and perforated with 6-piston fixed caliper
- Rear axle: Brake discs measuring 14.2 x 1.0 inch, internally ventilated and perforated with 1-piston floating caliper
- Increased fade resistance and reduced thermal deformation of brake discs
- Painted in red brake calipers



AMG High-Performance Ceramic Composite Braking System (B07)

Option price: \$5,450 (C 63 S only) [See Advisory](#)

6-piston front and single piston rear calipers

- Front axle: compound ceramic disc with a diameter of 15.8 x 1.5 inch, internally ventilated and perforated, with 6-piston fixed caliper
- Rear axle: integral brake disc with a diameter of 14.1 x 1.0 inch, internally ventilated, perforated and grooved with 1-piston combined floating brake caliper
- Bronze brake calipers with 30% weight saving compared with standard brake discs

Advisory on B07 AMG High-Performance Ceramic Compound Braking System



The AMG Ceramic Compound Braking system has numerous benefits – namely, it is 40% lighter than a conventional steel braking system, offers significantly longer service life for the brake rotors, and provides exceptional resistance to brake fade under repeated aggressive stops.*

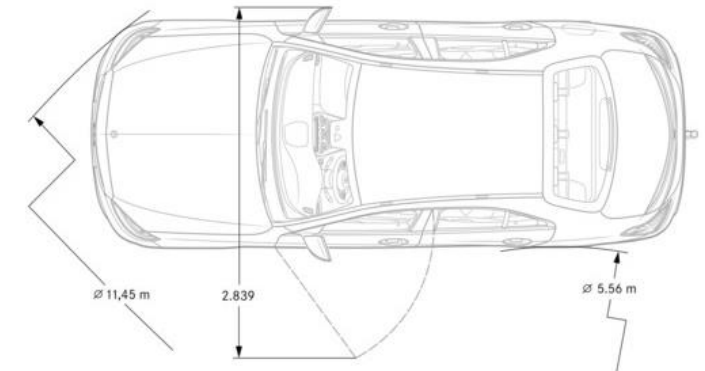
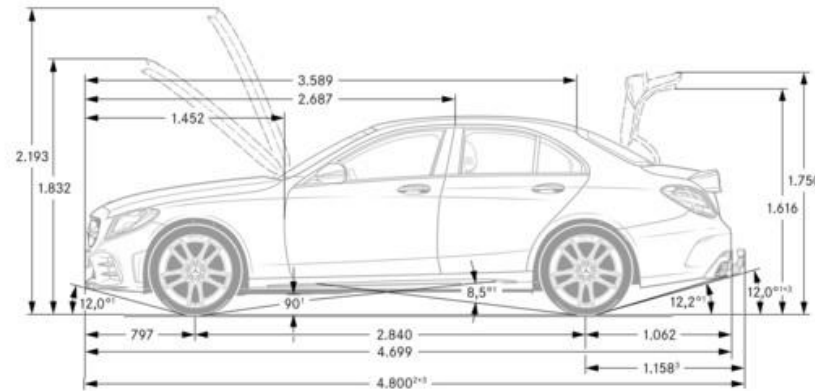
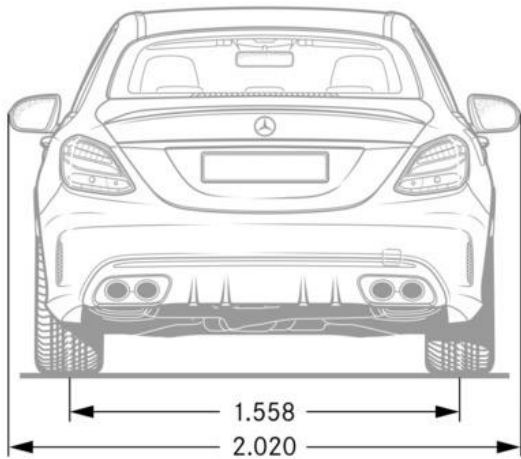
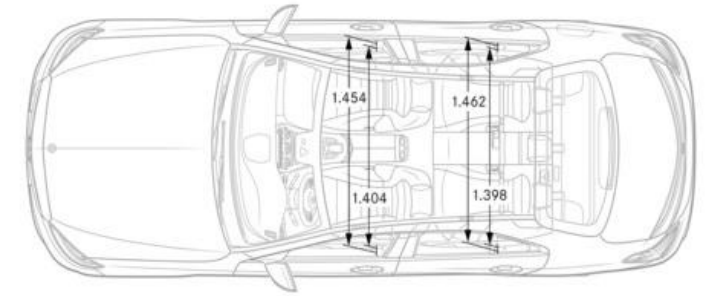
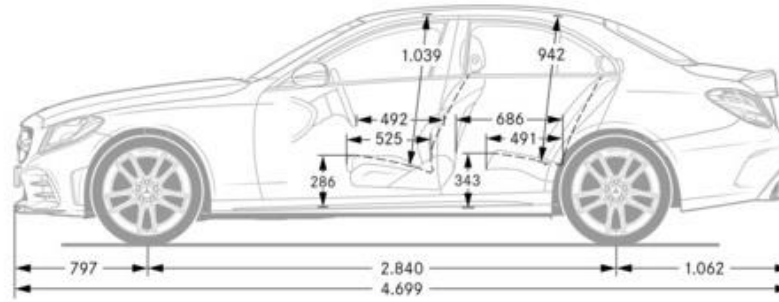
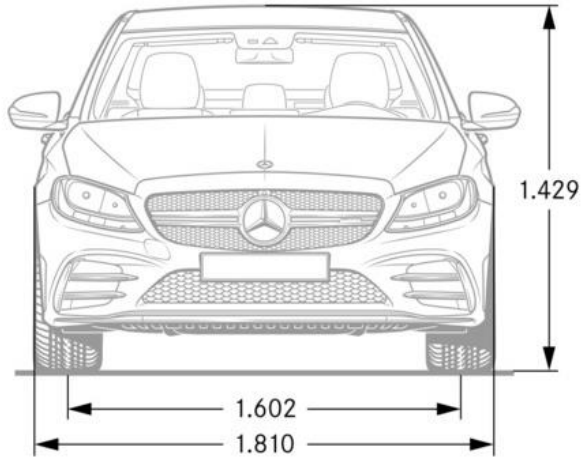
The materials in your AMG Ceramic Compound Braking system were derived from Formula One technology, and therefore will perform differently than conventional brakes.

Especially when cold, this ceramic composite material will resonate during braking and potentially feel less responsive under light brake pressure but with no loss in braking power. You will hear sounds, e.g. squealing, that you might not expect and which may be louder than what you are used to during ordinary everyday braking maneuvers – rest assured that this is a normal operating characteristic for this brake system, and is a by-product of the unique properties of the material. Mercedes-AMG recommends that the driver engage the brakes in an assertive manner in order to mitigate some of this noise during normal operation; Mercedes-AMG also recommends that the brakes be brought up to operating temperature before use in high-performance driving situations in order to improve braking performance.

**Brake weight based on AMG Germany official measurements, Service life based on F1 Safety car longevity and is dependent on individual driving style and conditions and will vary. Brake pads and rotors should be regularly serviced to ensure proper wear. Please reference your Mercedes-AMG Maintenance Booklet or contact your dealer for scheduled intervals.*

	<i>C43 4MATIC</i>	<i>C63</i>	<i>C63S</i>
Engine Configuration	AMG-enhanced 3.0L V6 biturbo engine	Handcrafted AMG 4.0L V8 biturbo engine	Handcrafted AMG 4.0L V8 biturbo engine
Power (hp)	385 @ 6,100 rpm	469 @ 5,500-6,250	503 @ 5,500-6,250
Torque (lb-ft)	384 @ 2,500-5,000 rpm	479 @ 1,750-4,500	516 @ 1,750-4,500
Displacement (cc)	2,996	3,982	3,982
Acceleration 0-60 mph (sec)	4.5	3.9	3.8
Fuel Economy (Cty/Hwy/Comb)	19/27/22	18/27/21	18/27/21
Top Speed (mph)	130 (lim.)	155 (lim.)	180 (lim.)
Fuel Requirement (Octane)	91	91	91
# Valves per cylinder	4	4	4
Compression	10.5 : 1	10.5 : 1	10.5 : 1
Transmission	AMG SPEEDSHIFT TCT 9-Speed	AMG SPEEDSHIFT MCT 9-Speed	AMG SPEEDSHIFT MCT 9-Speed
Transmission Speeds	9	9	9
Drive Configuration	All-Wheel-Drive	Rear-Wheel-Drive	Rear-Wheel-Drive
Fuel Tank Size (gallons)	17.4	17.4	17.4
Trunk Size (cubic feet)	12.6	12.6	12.6
Curb Weight (lbs)	3,825	3,874	3,900
Vehicle Length (in.)	185	187.2	187.3
Vehicle Width w/ exterior mirrors (in.)	79.5	79.5	79.5
Vehicle Height (in.)	56.3	56.1	56.1
Wheelbase (in.)	111.8	111.8	111.8
Track Width Front/Rear (in.)	63.1/61.3	63.4/60.9	63.4/60.9
Coefficient of Drag (Cd)	0.31	0.31	0.32

Specifications* – C43



Specifications* – C63

