

C-Class Sedan



Model Year 2017

Mercedes-Benz
The best or nothing.





Important note

The information presented in this guide is based on the most current information available and is intended for internal use only. Mercedes-Benz reserves the right to make changes at any time, without notice, to colors, materials, equipment, special specifications and models.

Pricing may not yet be finalized for some models or options.

Due to variances among monitors and printers the colors that appear on your screen and printouts may not be exact.

For illustrative purposes, some images may show vehicles with European Specification.

Revision History

<i>Date</i>	<i>Changes</i>
7/1/16	Updated all gasoline powered vehicles' launch date to September.
7/12/16	Rule change for C300 Luxury Package (167) with Parking Assist Package (996).
7/18/16	- Trim page updated with Black Ash / Aluminum code required for P62 <i>designo</i> platinum white / black - Description updated to correct exclusive nappa leather to nappa leather for all models
7/19/16	Updated Heated and Ventilated Seats (401) availability on the AMG C43 variant.
7/21/16	Delayed availability of Natural Grain Brown Ash (H09) wood trim noted.
7/27/16	Updated availability of Heated and Ventilated Seats (401) on AMG 63/63 S variants.
8/2/16	C350e delayed. All mention of C350e removed from Dealer Ordering Guide.
8/11/16	Updated DOG to new DOG Template Design
8/16/16	Pricing for Heated and Ventilated Seats (401) reduced to \$1,030. Steering Wheel Visual Equipment Differentiation pages updated for C300/C300 4MATIC. AMG Parking Assist Package (996) pricing updated.
8/19/16	Luxury Package (167) reduced from \$650 to \$350. AIRPANEL (5U3) added to early MY17 production Luxury Package.
8/25/16	Power Folding Mirrors (Code 500) added to Standard Equipment on C300, C300 4MATIC and AMG C43, and removed from Premium 2 Package.
8/25/16	Updated C43 wheel availability with Night Package (521).
8/31/16	Updated <i>designo</i> upholstery package pricing for all models. <i>designo</i> stand-alone option requirements added to C300 <i>designo</i> interiors and C300 stand-alone options pages.
9/29/16	Added red seat belt notice for some AMG C43 upholsteries



Important note

The information presented in this guide is based on the most current information available and is intended for internal use only. Mercedes-Benz reserves the right to make changes at any time, without notice, to colors, materials, equipment, special specifications and models.

Pricing may not yet be finalized for some models or options.

Due to variances among monitors and printers the colors that appear on your screen and printouts may not be exact.

For illustrative purposes, some images may show vehicles with European Specification.

Revision History

<i>Date</i>	<i>Changes</i>
10/4/16	LED logo projectors now available for ordering on all variants (15A).
10/6/16	October production changes updated.
10/18/16	Parking Assist Package (996) now available without Premium 3 (P03) or Premium 4 (P04) packages.
10/20/16	Luxury Package (167) no longer available with Parking Assist Package (996).
11/7/16	Added <i>designo</i> interior upholstery codes, added package content, clarified requirements.
11/21/16	Natural Grain Brown Ash Wood Trim (H09) now available for February production.
11/25/16	Notes added for <i>designo</i> steering wheels <ul style="list-style-type: none"> • <i>designo</i> Platinum White Pearl interior includes flat bottom sport steering wheel (even with luxury package) • <i>designo</i> Saddle Brown interior replaces flat bottom steering wheel on C300/3004M/350e Sport Package with round steering wheel
12/25/16	Added C 350e Plug-in Hybrid (205.047)
12/25/16	Updated AMG Performance seats' functionality when ordered with MB-Tex/DINAMICA upholsteries (641 and 611).
2/1/17	C 350e Plug-in Hybrid MSRP and package pricing updated <ul style="list-style-type: none"> • MSRP now \$46,050 • 319 Pkg now \$800



C 300, C 300 4MATIC & C 350e Plug-in Hybrid



Models



What's new



Standard Equipment



Exterior Paint Colors



Wheels



Interior Upholstery



Interior Trims



Option Packages



Stand-Alone Options



Options in Detail



Specifications



C 300 (205.048)

- MSRP \$39,500
- 2.0L inline-4 turbo engine
- 241 hp
- 273 lb-ft
- Launch date: 9/2016



C 300 4MATIC (205.049)

- MSRP \$41,500
- 2.0L inline-4 turbo engine
- 241 hp
- 273 lb-ft
- Launch date: 9/2016



C 350e Plug-in Hybrid (205.047)

- MSRP \$46,050
- 2.0L inline-4 turbo engine w/ 60kW e-motor
- 275 hp (combined)
- 443 lb-ft (combined)
- Launch date: Q1 2017



Standard Equipment

- Rearview camera becomes standard
- Wood trim with analog clock (High Gloss Black/Aluminum no longer offered)
- Touchpad removed from standard equipment
- Front brake calipers in hybrid blue with Mercedes-Benz lettering (C 350e Plug-in Hybrid only)
- Front driver and passenger side fender PLUG-IN HYBRID badging (C 350e Plug-in Hybrid only)

Optional Equipment

- Introduction of new trim: Natural Grain Brown Ash wood
- New Premium Package Structure (Premium Packages 1, 2, 3 and 4)
- New Leather Seating Package replaces Interior Package
- Removal of Air Balance Package, Driver Assistance Package, Multimedia Package, Parking Assist Package and Hands-Free Access Package. All package features combined into new Premium Package structure.
- Heated and Ventilated Seats (401) available as a stand-alone option for Leather Seating Package cars
- Blind Spot Assist (234) available as a stand-alone option (C 300 & C 300 4MATIC only)
- SiriusXM Satellite Radio (536) available as a stand-alone option (C 300 & C 300 4MATIC only)
- Parking Assist Package (996) pricing reduced to \$1,090.

Paints

- Removal of Steel Grey metallic and Palladium Silver metallic
- Addition of Selenite Grey metallic
- Addition of Brilliant Blue metallic



Performance & Handling

- 7G-TRONIC 7-speed automatic transmission with shift paddles
- Multilink front suspension
- Multilink independent rear suspension
- DYNAMIC SELECT
- Adaptive braking technology
- All-season tires
- ECO Start/Stop
- AIRMATIC Package standard on C 350e Plug-in Hybrid only

Comfort & Convenience

- KEYLESS START
- Rearview camera
- Wood trim
- Audio system with CD drive
- Power folding mirrors
- Two USB ports
- Bluetooth technology (for hands-free calling/audio streaming)
- HD Radio™
- Power front seats with driver-seat memory
- 4-way power driver's lumbar support
- Power tilt & telescoping steering column
- Power windows with express-up/down
- Automatic light-sensing headlamps
- 40/20/40-split folding rear seats
- Central controller with 7" high-mounted tablet-style color display
- Multifunction leather steering wheel
- Pre-wiring for GARMIN® MAP PILOT®
- Dual-zone climate control
- Rain-sensing windshield wipers
- Front and rear cupholders
- Electronic cruise control
- Vehicle preconditioning via key, remote app, or timer standard on C 350e Plug-in Hybrid only

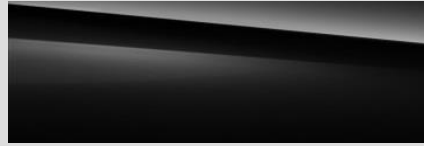
Safety & Security

- New vehicle 4 Year/50,000 mile warranty
- 24h Roadside Assistance Program
- 3-point seat belt with pretensioners & adaptive belt force limiter
- Front dual-stage air bags
- Front and rear side window air bags
- Front side air bags
- Driver knee air bag
- LATCH/ISOFIX
- ATTENTION ASSIST®
- Active Brake Assist
- PRE-SAFE®
- SmartKey
- Tire Pressure Monitoring System (TPMS)
- Antitheft alarm

Exterior Paint Colors



Non-metallic Paints

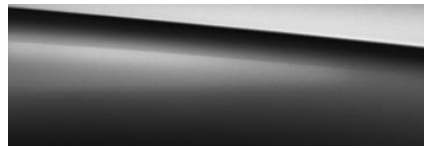


040
Black
Option price: \$0

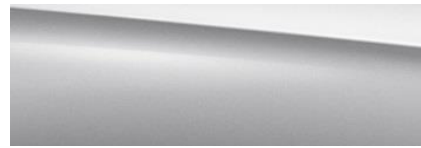


149
Polar White
Option price: \$0

Metallic Paints



197
Obsidian Black
Option price: \$720



775
Iridium Silver
Option price: \$720



796
Dakota Brown
Option price: \$720



890
Lunar Blue
Option price: \$720



896
Brilliant Blue
Option price: \$720



988
Diamond Silver
Option price: \$720



992
Selenite Grey
Option price: \$720

designo[®] Paints



996
Cardinal Red
Option price: \$1,080



799
Diamond White
Option price: \$1,515



R48
17" Split Y-Spoke
R02, R66
Option price: \$0
C 300 & C 300 4MATIC only



O8R
17" Multi-Spoke Luxury
R02, R66
Option price: \$0
C 300 & C 300 4MATIC only
Requires Luxury Package (167)



22R
18" Twin 5-Spoke
R02, R66
Option price: \$500,
Standard on C 350e Plug-in Hybrid
Not available for Sport Package (321)



782
18" AMG 5-Spoke
R02, R66
Option price: \$0
C 300 & C 300 4MATIC only
Requires Sport Package (321)



792
18" AMG 5-Spoke
Black/polished
R02, R66
Option price: \$0
C 300 & C 300 4MATIC only
Requires Night Package (521)



788
19" AMG Multi-Spoke
R01, R66
Option price: \$500
C 300 & C 300 4MATIC only
Requires Sport Package (321)



665
19" AMG Multi-Spoke
Black/polished
R01, R66
Option price: \$500
C 300 & C 300 4MATIC only
Requires Night Package (521)



<i>Code</i>	<i>Wheel Size</i>	<i>Description</i>	<i>Wheel Dimensions</i>	<i>Mobility</i>	<i>MSRP</i>
R48	17"	Split Y-Spoke Wheel	225/50 R17 on 7 J x 17 ET 48.5	R02, R66	\$ 0
08R	17"	Multi-Spoke Luxury Wheel	225/50 R17 on 7 J X 17 ET 48.5	R02, R66	\$ 0 <i>Requires Luxury Package (167)</i>
22R	18"	Twin 5-Spoke Wheel	225/45 R18 on 7.5 J x 18 ET 44 (Front) 245/40 R18 on 8.5 J x 18 ET 56 (Rear)	R02, R66	\$ 500 <i>Standard on C 350e Plug-in Hybrid</i>
782	18"	AMG 5-Spoke Wheel	225/45 R18 on 7.5 J x 18 ET 44 (Front) 245/40 R18 on 8.5 J x 18 ET 49 (Rear)	R02, R66	\$ 0 <i>Requires Sport Package (321)</i>
792	18"	AMG 5-Spoke Wheel Black/polished	225/45 R18 on 7.5 J x 18 ET 44 (Front) 245/40 R18 on 8.5 J x 18 ET 49 (Rear)	R02, R66	\$ 0 <i>Requires Night Package (521)</i>
788	19"	AMG Multi-Spoke Wheel	225/40 R19 on 7.5 J x 19 ET 44 (Front) 255/35 R19 on 8.5 J x 19 ET 52 (Rear)	R01, R66	\$ 500 <i>Requires Sport Package (321)</i>
665	19"	AMG Multi-Spoke Wheel Black/polished	225/40 R19 on 7.5 J x 19 ET 44 (Front) 255/35 R19 on 8.5 J x 19 ET 52 (Rear)	R01, R66	\$ 500 <i>Requires Night Package (521)</i>

Interior Upholstery – MB-TeX



101
Black
Option price: \$0



115
Silk Beige/Black
Option price: \$0



118
Crystal Grey/Black
Option price: \$0



105
Silk Beige/Espresso Brown
Option price: \$0
Requires Luxury Package (167)



128
Crystal Grey/Deep Sea Blue
Option price: \$0
Requires Luxury Package (167)



141
Black
Option price: \$0
Requires Sport Package (321)

Interior Upholstery – Leather



201
Black

*Option price: \$0
Requires Leather Seating Package (318)*



215
Silk Beige/Black

*Option price: \$0
Requires Leather Seating Package (318)*



218
Crystal Grey/Black

*Option price: \$0
Requires Leather Seating Package (318)*



221
Black

*Option price: \$0
Requires Luxury Package (167) and
Leather Seating Package (318)*



225
Silk Beige/Esspresso Brown

*Option price: \$0
Requires Luxury Package (167) and
Leather Seating Package (318)*

Interior Upholstery – Leather



251

Black

Option price: \$0

*Requires Sport Package (321) and
Leather Seating Package (318)*



267

Cranberry Red/Black

Option price: \$0

*Requires Sport Package (321) and
Leather Seating Package (318)*



268

Crystal Grey/Black

Option price: \$0

*Requires Sport Package (321) and
Leather Seating Package (318)*

Interior Upholstery – *designo* Nappa Leather



975 (P62 Pkg)

Platinum White Pearl/Black

Option price: \$4,500

Requires 877 (as standalone, or included in P03 or P04 packages), Requires U09 (as standalone, or included in 321 or 167 packages), Not with 443 – Heated Steering Wheel, Requires 739 – Natural Grain Black Ash Wood center console with brushed aluminum door trim



974 (P87 Pkg)

Saddle Brown/Black

Option price: \$4,500

Requires 877 (as standalone, included in P03 or P04 packages), Requires U09 (as standalone, included in 321 or 167 packages), Not with 443 – Heated Steering Wheel, Requires H07 – Linden Wood



<i>Code</i>	<i>Upholstery</i>	<i>Seats</i>	<i>Floor Mats</i>	<i>Upper Dash/Lower Dash</i>	<i>Seat Belts</i>	<i>Steering Wheel</i>	<i>Headliner</i>
101	Black MB-Tex	Black	Black	Black/Black	Black	Black	Crystal Grey
115	Silk Beige/Black MB-Tex	Beige	Black	Black/ Silk Beige	Black	Black	Beige
118	Crystal Grey/Black MB-Tex	Crystal Grey	Black	Black/Black	Black	Black	Crystal Grey
105	Silk Beige/ Espresso Brown MB-Tex	Beige	Beige	Espresso Brown/Silk Beige	Beige	Espresso Brown	Beige
128	Crystal Grey/ Deep Sea Blue MB-Tex	Crystal Grey	Deep Sea Blue	Deep Sea Blue/Crystal Grey	Crystal Grey	Deep Sea Blue	Crystal Grey
141	Black MB-Tex	Black	Black	Black/Black	Black	Black	Black
201	Black leather	Black	Black	Black/Black	Black	Black	Crystal Grey
215	Silk Beige/Black leather	Beige	Black	Black/ Silk Beige	Black	Black	Beige
218	Crystal Grey/Black leather	Crystal Grey	Black	Black/Black	Black	Black	Crystal Grey
221	Black leather	Black	Black	Black/Black	Black	Black	Crystal Grey
225	Silk Beige/ Espresso Brown leather	Beige	Beige	Espresso Brown/Silk Beige	Beige	Espresso Brown	Beige
251	Black leather	Black	Black	Black/Black	Black	Black	Black
267	Cranberry Red leather	Cranberry Red	Black	Black/Black	Black	Black	Black
268	Crystal Grey/Black leather	Crystal Grey	Black	Black/Black	Black	Black	Black
P62	Platinum White Pearl/ Black Nappa leather	Platinum White Pearl/Black	Black w/ white piping	Black/Black	Black	Black	Black
P87	Saddle Brown/ Black Nappa leather	Saddle Brown	Black w/ brown piping	Black/Black	Black	Black	Black



H09
Natural Grain Brown Ash wood trim
Option price: \$0



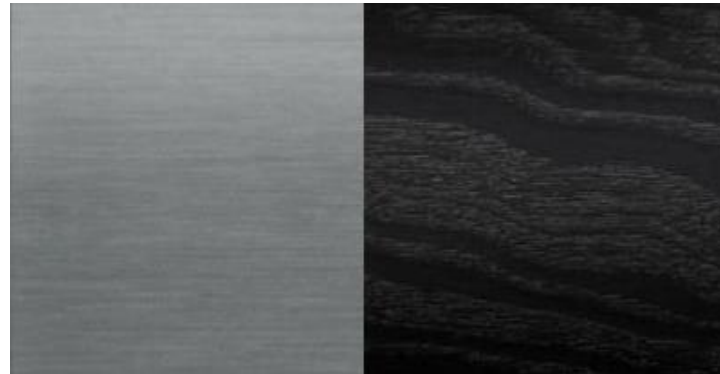
736
Natural Grain Black Ash wood trim
Option price: \$0
Not with Luxury Package (167)



H07
Linden wood trim
Option price: \$0



731
Burl Walnut wood trim
Option price: \$0
Not with Sport Package (321)



739
Natural Grain Black Ash wood/Aluminum door trim
Option price: \$0
Requires designo Platinum White/Black upholstery (P62)



<i>Code</i>	<i>Packages</i>	<i>Availability</i>	<i>MSRP</i>
P01	<p>Premium 1 Package <i>Not with Premium 2, 3 or 4 Packages (P02, P03, P04).</i></p> <ul style="list-style-type: none"> ▪ 234 – Blind Spot Assist ▪ 536 – SiriusXM® Satellite Radio ▪ 889 – KEYLESS-GO 	All Models	\$ 1,300
P02	<p>Premium 2 Package <i>Not with Premium 1, 3 or 4 Packages (P01, P03, P04). Requires Heated Seats (873) or Heated and Ventilated Seats (401). Includes all Premium 1 Package features, plus:</i></p> <ul style="list-style-type: none"> ▪ 611 – Entrance lamps in doors ▪ 810 – Burmester® Surround Sound System ▪ 632 – LED headlamps (<i>w/ blue hybrid design elements for C 350e Plug-in Hybrid</i>) 	All Models	\$ 2,950
P03	<p>Premium 3 Package <i>Not with Premium 1, 2 or 4 Packages (P01, P02, P04) Requires Heated Seats (873) or Heated and Ventilated Seats (401). Includes all Premium 2 Package features, plus:</i></p> <ul style="list-style-type: none"> ▪ 531 – COMAND navigation ▪ 502 – Navigation map updates included for 3 years ▪ 5 years SiriusXM Traffic and Weather services ▪ 8.4” High-resolution screen ▪ U25 – Mercedes-Benz illuminated door sill panels ▪ 448 – Touchpad ▪ 871 – HANDS-FREE ACCESS ▪ 877 – Ambient lighting ▪ 881 – Electronic trunk closer <p>Adds Intelligent Hybrid Systems (<i>no cost features included in package</i>)</p> <ul style="list-style-type: none"> ▪ Route-Based Battery Optimization - Ensures better gas mileage on longer trips. Optimizes battery usage with a COMAND destination entered, and DYNAMIC SELECT in ECO mode ▪ Anticipatory Operating Mode - Optimizes the battery usage in HYBRID mode based on road typography up to 4 miles ahead. Does not require DYNAMIC SELECT or COMAND destination 	All Models	\$ 5,400
		C 350e Plug-in Hybrid	



<i>Code</i>	<i>Packages</i>	<i>Availability</i>	<i>MSRP</i>
P04	<p>Premium 4 Package <i>Not with Luxury (167), Premium 1, 2 or 3 Packages (P01, P02, P03).</i> <i>Includes all Premium 3 Package features, plus:</i></p> <ul style="list-style-type: none"> ▪ 223 – DISTRONIC PLUS® with Steering Assist ▪ 237 – Active Blind Spot Assist (replaces (234) Blind Spot Assist) ▪ 238 – Active Lane Keeping Assist ▪ 253 – PRE-SAFE® PLUS rear-end collision protection ▪ 268 – BAS® PLUS with Cross-Traffic Assist ▪ 540 – Power rear-window sunshade ▪ P21 – Air Balance ▪ 642 – Active LED headlamps (<i>w/ blue hybrid design elements on C 350e Plug-in Hybrid</i>) ▪ 608 – Adaptive Highbeam Assist <p>Adds Intelligent Hybrid Systems (<i>no cost features included in package</i>)</p> <ul style="list-style-type: none"> ▪ Radar-Based Regenerative Braking Plus –Standard Radar-Based system utilizes COLLISION PREVENTION ASSIST PLUS radar, with P04, DISTRONIC radar is used. With DYNAMIC SELECT in ECO, regenerative braking levels are adjusted based on traffic ahead. Results in a 3-5% increase in fuel economy ▪ Route-Based Battery Optimization - Ensures better gas mileage on longer trips. Optimizes battery usage with a COMAND destination entered, and DYNAMIC SELECT in ECO mode ▪ Anticipatory Operating Mode - Optimizes the battery usage in HYBRID mode based on road typography up to 4 miles ahead. Does not require DYNAMIC SELECT or COMAND destination. 	All Models	\$ 8,650
315	<p>AIRMATIC Package <i>Replaces (486) Sport Suspension on Sport Package equipped cars</i> <i>Replaces (485) Comfort Suspension on 4MATIC and Luxury Package cars</i> <i>Replaces (677) Standard Suspension on C300.</i></p> <ul style="list-style-type: none"> ▪ 483 – Adjustable suspension via DYNAMIC SELECT ▪ 489 – AIRMATIC® air suspension 	C 300 / C 300 4MATIC C 350e Plug-in Hybrid	\$ 1,190 Standard



<i>Code</i>	<i>Packages</i>	<i>Availability</i>	<i>MSRP</i>
318	Leather Seating Package <ul style="list-style-type: none"> ▪ 2XX – Leather Upholstery ▪ 242 – Passenger memory seat with adjustable thigh support 	All Models	\$ 2,050
996	Parking Assist Package <i>Not available with Luxury Package (167)</i> <ul style="list-style-type: none"> ▪ 235 – PARKTRONIC with Active Parking Assist ▪ 501 – Surround View System 	All Models	\$ 1,090
319	Advanced Lighting Package <i>Requires Premium Package P02 or P03, not with P04.</i> <ul style="list-style-type: none"> ▪ 640 – Active LED headlamps with blue hybrid design elements, Active Curve Illumination, and cornering lights ▪ 608 – Adaptive Highbeam Assist 	C 350e Plug-in Hybrid	\$ 800
167	Luxury Package <i>Not with Natural Grain Black Ash Wood (736)</i> <i>08R - 17" Not available for C 350e Plug-in Hybrid</i> <i>22R - 18" Standard on C 350e Plug-in Hybrid</i> <ul style="list-style-type: none"> ▪ 485 – Comfort suspension (C 300 only) ▪ 5U3 – AIRPANEL grille (early production units) ▪ U09 - Dash with MB-TEX and topstitching ▪ Luxury grille with stand-up Star ▪ Wheel choice of: <ul style="list-style-type: none"> ▪ 08R - 17" Silver Multi-spoke wheel <i>or</i> ▪ 22R - 18" 5-Spoke wheel 	All Models	\$ 350




<i>Code</i>	<i>Packages</i>	<i>Availability</i>	<i>MSRP</i>
321	<p>Sport Package</p> <p><i>When ordered with Heated Steering Wheel (443), the Flat Bottom Steering Wheel is replaced with the standard (round) steering wheel.</i></p> <ul style="list-style-type: none"> ▪ 772 – AMG body styling ▪ 486 – Sport suspension ▪ 51U – Black headliner ▪ U09 – Dash with MB-Tex and topstitching ▪ Sport seats ▪ Flat-bottom sport steering wheel ▪ Front brakes with perforated discs ▪ Aluminum pedals with rubber studs ▪ AMG floor mats ▪ Wheel choice of: <ul style="list-style-type: none"> ▪ 782 – 18” AMG wheel or ▪ 788 – 19” AMG wheels with high performance tires (+\$500) 	C300 & C300 4MATIC	\$ 2,175
521	<p>Night Package</p> <p><i>Requires Sport Package (321).</i></p> <ul style="list-style-type: none"> ▪ High-gloss black elements: front wing, lamellas, rear diffuser insert, exterior mirrors, beltline strip and window weather strip ▪ Wheel choice: <ul style="list-style-type: none"> ▪ 792 – 18” AMG wheel with black inserts or ▪ 665 – 19” AMG wheel with black inserts with high performance tires (+\$500) 	C300 & C300 4MATIC	\$ 300



Code	Packages	Availability	MSRP
P62	<p><i>designo</i> Platinum White Pearl / Black Nappa leather <i>Requires 877 (as standalone, or included in P03 or P04 packages), Requires U09 (as standalone, or included in 321 or 167 packages), Not with 443 – Heated Steering Wheel, Requires 739 – Natural Grain Black Ash Wood center console with brushed aluminum door trim</i></p> <ul style="list-style-type: none"> ▪ 975 - <i>designo</i> Platinum White Pearl / Black Two-Tone Nappa Leather seats in diamond quilt design, with white contrast stitching, and <i>designo</i> badge on backrests of front and rear seats ▪ U04 - <i>designo</i> black floor mats with white border and <i>designo</i> badge in the front floor mats ▪ 51U – Black fabric headliner ▪ 242 – Memory passenger seat with adjustable thigh support ▪ 401 – Heated and ventilated front seats ▪ Center door panels in <i>designo</i> Platinum White Pearl Nappa Leather and center console armrest in <i>designo</i> Black Nappa Leather ▪ Flat-bottom sport multifunction steering wheel in black leather (all C-Class style variants including luxury and standard) 	All Models	\$ 4,500
P87	<p><i>designo</i> Saddle Brown / Black Nappa leather <i>Requires 877 (as standalone, included in P03 or P04 packages), Requires U09 (as standalone, included in 321 or 167 packages) Not with 443 – Heated Steering Wheel, Requires H07 – Linden Wood</i></p> <ul style="list-style-type: none"> ▪ 974 - <i>designo</i> Saddle Brown Nappa Leather seats in diamond quilt design, with beige contrast stitching and piping on seat and headrests, and <i>designo</i> badge on backrests of front and rear seats ▪ U04 - <i>designo</i> black floor mats with white border and <i>designo</i> badge in the front floor mats ▪ 51U – Black fabric headliner ▪ 242 – Memory passenger seat with adjustable thigh support ▪ 401 – Heated and ventilated front seats ▪ Round multifunction steering wheel in black leather (<i>Replaces flat-bottom steering wheel in sport package</i>) ▪ Center door panels and armrests in <i>designo</i> Saddle Brown Nappa Leather 	All Models	\$ 4,500

Stand-Alone Options



<i>Code</i>	<i>Options</i>	<i>Availability</i>	<i>MSRP</i>
289	Black Leather steering wheel with Burl Walnut Inlays <i>Requires Burl Walnut Wood Trim (731), Interiors 101, 115, 118, 201, 215, 218 or 221</i> <i>Not with with Heated Steering Wheel (443), Sport Package (321)</i>	All Models	\$ 500
313	Manual rear-side window sunshades	All Models	\$ 380
401	Heated and ventilated seats <i>Requires Leather Seating Package (318)</i>	All Models	\$ 1,030
413	Panorama roof	All Models	\$ 1,480
443	Heated steering wheel <i>Not with Interiors 105, 128 or 225, P62, P87 or Burl Walnut Wood Steering Wheel (289)</i>	All Models	\$ 250
463 	Head-Up Display	All Models	\$ 990
540	Power rear window sunshade	All Models	\$ 440
873	Heated front seats	All Models	\$ 580
877	Ambient lighting <i>Requires P62 or P87</i> <i>Not available with Premium 3 (P03) or Premium 4 (P04)</i>	All Models	\$ 310
U09	MB-TeX dashboard <i>Requires P62 or P87</i> <i>Not available with Sport Package (321) or Luxury Package (167)</i>	All Models	\$ 350
234	Blind Spot Assist <i>Not with Premium 1, 2, 3 or 4 Package</i>	C300 & C300 4MATIC	\$ 550
536	SiriusXM Satellite Radio <i>Not with Premium 1, 2, 3 or 4 Package</i>	C300 & C300 4MATIC	\$ 460

Stand-Alone Options



<i>Code</i>	<i>VPC Installed Accessories</i>	<i>Availability</i>	<i>MSRP</i>
03A	SD-Card for GARMIN® map pilot navigation	All Models	\$ 625
068	Wheel locks (Black)	All Models	\$ 150
070	Chrome door handle inserts	All Models	\$ 100
104	Rear spoiler	All Models	\$ 350
105	Roof spoiler <i>Requires Rear Spoiler (104) and Sport Package (321) or Night Package (521)</i>	C300 & C300 4MATIC	\$ 300
00A	Illuminated Star <i>Not with Premium 4 (P04) or Luxury Package (167)</i>	C300 & C300 4MATIC	\$ 550
15A	LED logo projectors <i>Requires Premium 2 (P02), Premium 3 (P03) or Premium 4 (P04)</i>	C300 & C300 4MATIC	\$ 200

Headlamps C300 & C300 4MATIC



Halogen headlamps

Standard

- Halogen headlights including integral LED daytime running lamps



LED headlamps

Premium 2 and Premium 3 Package

(C300 & C300 4MATIC only)

- All functions feature LED technology
- Integrated LED daytime running lamps with fiber-optics
- Projector LED low beam and reflective LED high beam technology
- Full LED tail lamps with fiber-optics



Active LED headlamps

Premium 4 Package

(C300 & C300 4MATIC only)

All functions of the Static LED Headlamps plus:

- Active light function pivots headlights to follow the road for better illumination
- Cornering lights improve road illuminations by shedding more light on the turning side
- Dual low/ high beam LED projection modules

Headlamps C 350e Plug-in Hybrid



Halogen headlamps

Standard

- Halogen headlights including integral LED daytime running lamps



LED headlamps w/ blue hybrid design elements

*Requires Premium 2 (P02) and Premium 3 (P03) Package
(C 350e Plug-in Hybrid only)*

All functions feature LED technology

- Integrated LED daytime running lamps with fiber-optics
- Projector LED low beam and reflective LED high beam technology
- Full LED tail lamps with fiber-optics
- Blue accentuating ring



Active LED headlamps w/ blue hybrid design elements

*Requires Advanced Lighting Package (319) or P04 Pkg
(C 350e Plug-in Hybrid only)*

All functions of the Static LED Headlamps plus:

- Active light function pivots headlights to follow the road for better illumination
- Cornering lights improve road illuminations by shedding more light on the turning side
- Dual low/ high beam LED projection modules
- Blue accentuating rings

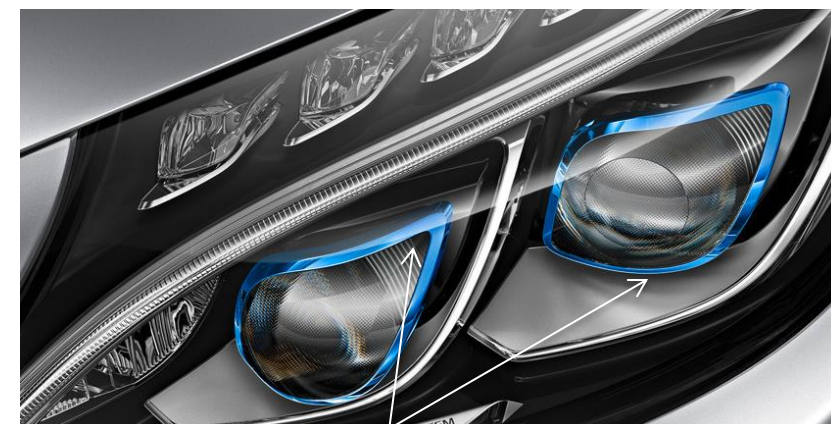


C 350e Plug-in Hybrid exclusive style elements



Front brake calipers in hybrid blue with Mercedes-Benz lettering
Standard on C 350e Plug-in Hybrid
Please note that the shown wheel is not available for the C 350e Plug-in Hybrid

Front driver and passenger side fender PLUG-IN HYBRID badging



Active LED headlamps w/ blue hybrid design elements



LED headlamps w/ blue hybrid design elements



Luxury Package Grille Variation



Luxury Package with Premium 4 Package

Luxury Package cars without Parking Assist Package (996) but with Premium 4 (P04) receive the open 3-Lamella grille with chrome accents.



Luxury Package with Parking Assist Package (996) EARLY PRODUCTION

Only in combination with Parking Assist Package or early MY17 production (996), Luxury equipped vehicles come standard with AIRPANEL. The adjustable grille shutter makes it possible to lower wind resistance and increase fuel economy.

Steering Wheels



Standard steering wheel

- Black leather 3-spoke multifunction steering wheel with perforated side grips
- 12 ergonomic function keys operate display menus, audio volume, and telephone and navigation (if equipped) functionalities
- When equipped with Luxury Package (167), steering wheel loses perforations. When combined with 105 or 225 interiors, steering wheel becomes Espresso Brown. When equipped with 128 interior, steering wheel becomes Deep Sea Blue.



Sport Package (321) flat-bottom steering wheel

- Black leather 3-spoke multifunction steering wheel with perforated side grips
- 12 ergonomic function keys operate display menus, audio volume, and telephone and navigation (if equipped) functionalities
- Flat bottom design emphasizes sport appeal
- When Sport Package is ordered with Heated Steering Wheel (443), the Flat Bottom Steering Wheel is replaced with heel



Heated steering wheel (443)

- Black leather 3-spoke multifunction steering wheel with perforated side grips
- 12 ergonomic function keys operate display menus, audio volume, and telephone and navigation (if equipped) functionalities
- *Not with 105, 128 or 225 interiors*

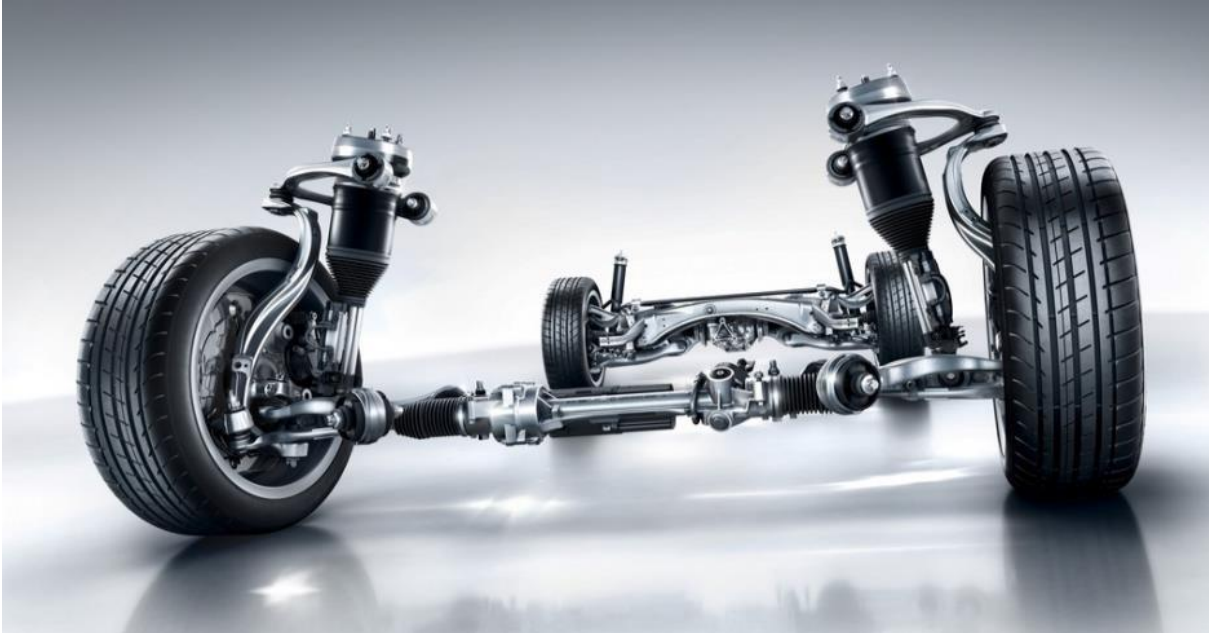


Black leather steering wheel with burl walnut inlays (289)

- Black leather 3-spoke multifunction steering wheel with top and bottom full Burl Walnut Inlays
- 12 ergonomic function keys operate display menus, audio volume, and telephone and navigation (if equipped) functionalities
- *Requires 101, 115, 118, 201, 215, 218 or 221 interiors*
- *Requires Burl Walnut trim (731)*
- *Not with Sport Package (321) and Heated Steering Wheel (443)*



AIRMATIC Air suspension



Standard on C 350e Plug-in Hybrid Sedan

The combination of AIRMATIC® air suspension and DYNAMIC SELECT provides for a tailor-made driving experience.

- DYNAMIC air suspension with continuously variable damping control
- DYNAMIC SELECT with four different transmission modes (adjustment of parameters such as engine, transmission, suspension, steering, air conditioning or ECO start/stop function)
- The individual parameters are set via the controller and the configuration menu in the head unit
- Display of the selected transmission mode in the instrument cluster and head unit



Ambient Lighting



Polar (ice blue)



Solar (amber)



Neutral (white)

Climb in and feel at home – with its pleasant, indirect light, the ambient lighting creates an unrivalled sense of well-being in the interior. Especially at night, it accentuates the contouring and high quality of the interior design.

Three different colors and five dimming levels are available for the desired lighting mood:

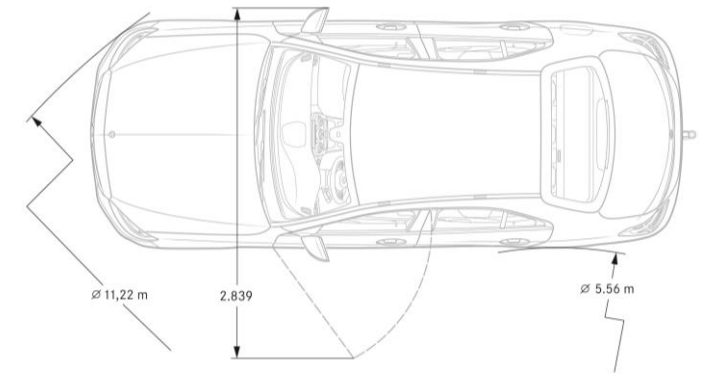
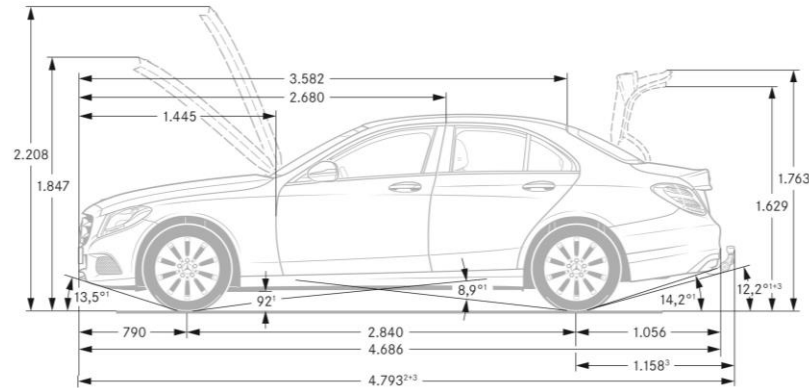
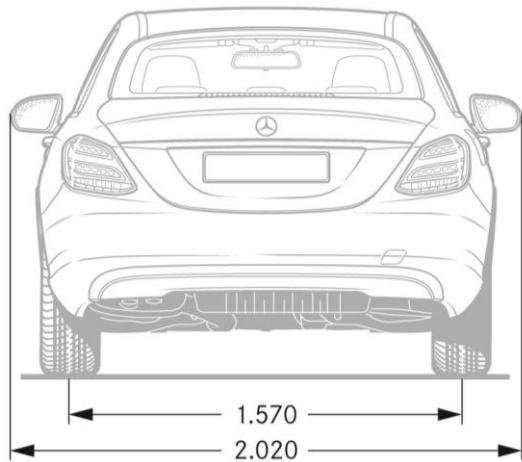
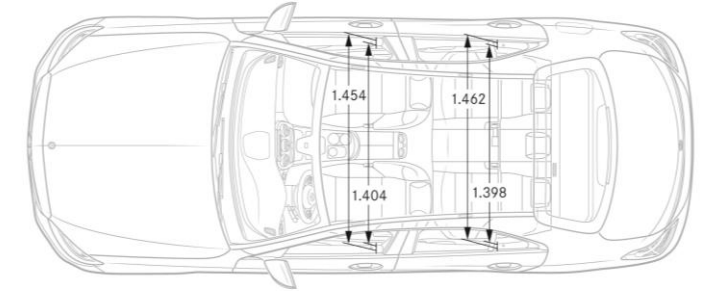
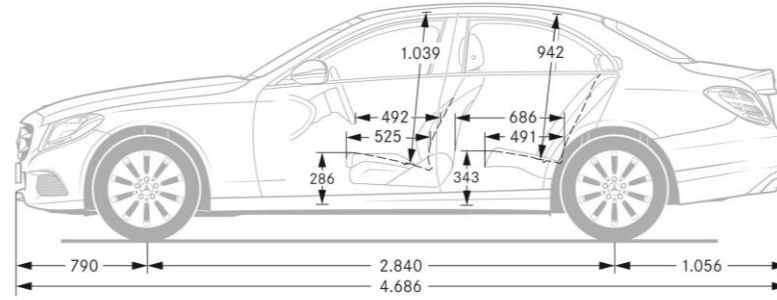
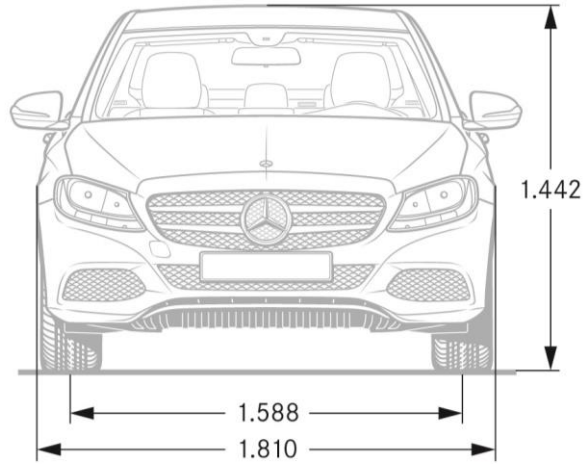
- neutral (white)
- solar (amber)
- polar (ice blue)

Specifications



	<i>C 300</i>	<i>C 300 4MATIC</i>	<i>C 350e Plug-in Hybrid</i>
Engine Configuration	2.0L Inline-4 Turbo	2.0L Inline-4 Turbo	2.0L Inline-4 Turbo
Power (hp)	241	241	275 comb/80 elec.
Torque (lb-ft)	273	273	443 comb /251 elec.
Displacement (cc)	1.991	1.991	1.991
Acceleration 0-60 mph (sec)	6.0	6.0	5.9
Electric range (miles)	-	-	10
Charge time, 240V (hours)	-	-	2.5
Battery Size (kWh)	-	-	6.2
Fuel Economy (Cty/Hwy/Comb)	24/34/28	24/31/27	45/61/51 MPGe
Top Speed (mph)	130 (lim.)	130 (lim.)	130 (lim.)
Fuel Requirement (Octane)	91	91	91
# Valves per cylinder	4	4	4
Compression	9.8 : 1	9.8 : 1	9.8 : 1
Transmission	7G-TRONIC PLUS	7G-TRONIC PLUS	7G-TRONIC PLUS
Transmission Speeds	7	7	7
Drive Configuration	Rear-Wheel Drive	All-Wheel Drive	Rear-Wheel Drive
Fuel Tank Size (gallons)	17.4	17.4	13.2
Trunk Size (cubic feet)	12.6	12.6	11.8
Curb Weight (lbs)	3,417	3,594	3,924
Vehicle Length (in.)	184.5	184.5	184.5
Vehicle Width w/ exterior mirrors (in.)	79.5	79.5	79.5
Vehicle Width w/o exterior mirrors (in.)	71.3	71.3	71.3
Vehicle Height (in.)	56.8	56.8	56.8
Wheelbase (in.)	111.8	111.8	111.8
Track Width Front/Rear (in.)	61.53/60.86	61.61/60.75	61.61/60.75
Coefficient of Drag (Cd)	0.2990	0.3010	0.2700

Specifications* – C 300/C 300 4MATIC/C 350e Plug-in Hybrid



AMG C 43, C 63 & C 63 S



AMG

Model Year 2017

AMG
DRIVING PERFORMANCE

C43, C63 & C63S



Models



What's new



Standard Equipment



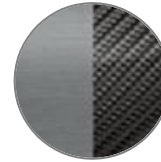
Exterior Paint Colors



Wheels



Interior Upholstery



Interior Trims



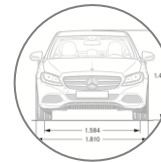
Option Packages



Stand-Alone Options



Options in Detail



Specifications



AMG C43 (205.064)

- MSRP \$52,000
- AMG-enhanced 3.0L V6 biturbo engine
- 362 hp
- 384 lb-ft
- 4.6 sec (0-60 mph)
- Launch date: 9/2016



AMG C63 (205.086)

- MSRP \$65,200
- Handcrafted AMG 4.0L V8 biturbo engine
- 469 hp
- 479 lb-ft
- 4.0 sec (0-60 mph)
- Launch date: 9/2016



AMG C63 S (205.087)

- MSRP \$72,800
- Handcrafted AMG 4.0L V8 biturbo engine
- 503 hp
- 516 lb-ft
- 3.9 sec (0-60 mph)
- Launch date: 9/2016

Variants

- C 450 AMG discontinued, replaced by the new AMG C 43

Standard Equipment

- Rearview camera becomes standard
- Heated front seats become standard on C 43 (was already standard on MY16 63/63 S)
- Wood trim is now standard on all variants and High Gloss Black/Aluminum no longer offered
- C 43 gets AMG-enhanced 9G-TRONIC transmission w/ shift paddles
- C 43 gets 3-stage ESP® (ESP ON, ESP SPORT HANDLING, ESP OFF)
- C 43's AMG Performance 4MATIC® gets revised power distribution of 31% front/69% rear
- Touchpad removed from standard equipment on all variants

Optional Equipment

- New Premium Package Structure
- Leather becomes a standalone option (Standard on C 63 S)
- Removal of Lighting Package, Air Balance Package, Driver Assistance Package, Multimedia Package, Parking Assist Package and HANDS-FREE ACCESS. All package features combined into new Premium Package structure.
- Heated and ventilated seats (401) available as a stand-alone option with *designo* upholsteries only
- AMG Performance Exhaust (U78) available for C 43

Paints

- Removal of Steel Grey metallic and Palladium Silver Metallic
- Addition of Selenite Grey metallic
- Addition of Brilliant Blue metallic

Performance & Handling

- AMG-enhanced 9G-TRONIC transmission w/ shift paddles (C 43)
- AMG SPEEDSHIFT® MCT 7-speed transmission w/ shift paddles (C 63/63 S)
- AMG DYNAMIC SELECT
- Adaptive braking technology
- AMG RIDE CONTROL Sport Suspension w/ selective 3-stage damping
- 3-stage Electronic Stability Program (ESP)
- Wood trim
- Audio system with CD Drive
- AMG Performance 4MATIC (C 43)
- Mechanical limited-slip rear differential (C 63)
- Electronic limited-slip differential (C 63 S)
- Dynamic engine mounts (C 63 S)

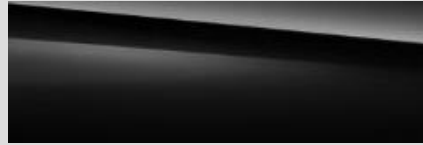
Comfort & Convenience

- KEYLESS START
- KEYLESS-GO
- FrontBass® speed-sensitive five speaker sound system
- Two USB ports
- Power-folding exterior mirrors
- Split-folding rear seats (40/20/40)
- Central controller with 7" high-mounted tablet-style color display
- Bluetooth (for Handsfree Phone Use/Audio Streaming)
- HD Radio
- SiriusXM Radio
- Power and heated front sport seats with memory
- 4-way driver's lumbar support
- Multifunction sport leather steering wheel
- Pre-wiring for GARMIN® MAP PILOT®
- Dual-zone climate control
- HomeLink® garage door opener
- Electronic cruise control
- Power tilt & telescoping steering column
- Express-up/down power windows
- Automatic light-sensing headlamps
- Intermittent wipers with rain sensor
- Auto-dimming rearview and driver-side mirrors
- Front and rear cupholders
- AMG illuminated door sills (C 63/63 S only)
- Burmester® Surround Sound System (C 63/63 S)
- LED Headlamps (C 63/63 S)

Safety & Security

- New vehicle 4 year/50,000 mile warranty
- 24h Roadside Assistance Program
- 3-point seat belt with pretensioners & dual-stage belt force limiter
- Blind Spot Assist
- Front dual stage airbags
- Front and rear side window airbags
- Front side airbags
- Driver & passenger kneebags
- LATCH/ISOFIX
- ATTENTION ASSIST® driver drowsiness monitor
- COLLISION PREVENTION ASSIST PLUS (CPA+)
- SmartKey with panic button
- Tire Pressure Monitoring System (TPMS)
- Antitheft alarm system
- Rear side airbags
- PRE-SAFE®

Non-metallic Paints



040
Black
Option price: \$0



149
Polar White
Option price: \$0

Metallic Paints



197
Obsidian Black
Option price: \$720



775
Iridium Silver
Option price: \$720



796
Dakota Brown
Option price: \$720



890
Lunar Blue
Option price: \$720



896
Brilliant Blue
Option price: \$720



988
Diamond Silver
Option price: \$720



992
Selenite Grey
Option price: \$720

designo[®] Paints



996
Cardinal Red
Option price: \$1,080



799
Diamond White
Option price: \$1,515



661
18" AMG 5-Spoke
R02, R66
Option price: \$0
C 43 only



644
19" AMG Split 5-Spoke
R01, R66
Option price: \$850
C 43 only



604
19" AMG Split 5-Spoke
w/ Black Accents
R01, R66
Option price: \$850
C 43 only



605
19" AMG Multi-Spoke
R01, R66
Option price: \$850
C 43 only



606
19" AMG Multi-Spoke
w/ Black Accents
R01, R66
Option price: \$850
C 43 only



790
18" AMG Twin 5-Spoke
R01, B51
Option price: \$0
C 63 only



793
19" AMG Twin 5-Spoke
R01, B51
Option price: \$0
C 63 S only



770
19" AMG Forged Cross-Spoke
R01, B51
Option price:
\$1,950 (C 63)/\$1,250 (C 63 S)
C 63, C 63 S only



662
19" AMG Forged Cross-Spoke
Black
R01, B51
Option price:
\$2,450 (C 63)/\$1,750 (C 63 S)
C 63, C 63 S only

<i>Code</i>	<i>Wheel Size</i>	<i>Description</i>	<i>Wheel Dimensions</i>	<i>Mobility</i>	<i>Availability</i>	<i>MSRP</i>
661	18"	AMG Multi-Spoke Wheel	225/45 R18 on 7.5 J x 18 H ET 33 (Front) 245/40 R18 on 8.5 J x 18 H ET 49 (Rear)	R02, R66	C43	\$ 0
644	19"	AMG Split 5-Spoke Wheel	225/40 R19 on 7.5 J x 19 H ET 33 (Front) 255/35 R19 on 8.5 J x 19 H ET 52 (Rear)	R01, R66	C43	\$ 850
604	19"	AMG Split 5-Spoke Wheel w/ Black Accents	225/40 R19 on 7.5 J x 19 H ET 33 (Front) 255/35 R19 on 8.5 J x 19 H ET 52 (Rear)	R01, R66	C43	\$ 850
605	19"	AMG Multi-Spoke Wheel	225/40 R19 on 7.5 J x 19 H ET 33 (Front) 255/35 R19 on 8.5 J x 19 H ET 52 (Rear)	R01, R66	C43	\$ 850
606	19"	AMG Multi-Spoke Wheel w/ Black Accents	225/40 R19 on 7.5 J x 19 H ET 33 (Front) 255/35 R19 on 8.5 J x 19 H ET 52 (Rear)	R01, R66	C43	\$ 850
790	18"	AMG Twin 5-Spoke Wheel	245/40 R18 on 9.5 J x 18 ET 38 (Front) 265/40 R18 on 9.5 J x 18 ET 56 (Rear)	R01, B51	C63	\$ 0
793	19"	AMG Twin 5-Spoke Wheel	245/35 R19 on 8.5 J x 19 ET 38 (Front) 265/35 R19 on 9.5 J x 19 ET 56 (Rear)	R01, B51	C63S	\$ 0
770	19"	AMG Forged Cross-Spoke Wheel	245/35 R19 on 8.5 J x 19 ET 38 (Front) 265/35 R19 on 9.5 J x 19 ET 56 (Rear)	R01, B51	C63 C63S	\$ 1,950 \$ 1,250
662	19"	AMG Forged Cross-Spoke Wheel	245/35 R19 on 8.5 J x 19 ET 38 (Front) 265/35 R19 on 9.5 J x 19 ET 56 (Rear)	R01, B51	C63 C63S	\$ 2,450 \$ 1,750



641

Black w/ DINAMICA and Red Topstitching
Option price: \$0 (C 43 only)



641 + 555

Black w/ DINAMICA and Red Topstitching
w/ AMG Performance Seats
Option price: \$2,500 (C 43 only)
*Not available with backrest side bolster and
thigh bolster adjustment*



611

Black w/ DINAMICA
Option price: \$0 (C 63 only)



611 + 555

Black w/ DINAMICA w/ AMG Performance Seats
Option price: \$2,500 (C 63 only)
*Not available with backrest side bolster and thigh
bolster adjustment*



251
Black
Option price: \$1,620
C43 only



267
Cranberry Red
Option price: \$1,620
C43 only



268
Crystal Grey
Option price: \$1,620
C43 only



241
Black w/ Red Topstitching
Option price: \$1,620
C43 only



241 + 555
Black w/ Red Topstitching
w/ AMG Performance Seats
Option price: \$4,120
C43 only

Interior Upholstery – Nappa Leather



801
Black
Option price: \$2,590 (C 63)/\$0 (C 63 S)
C 63, C 63 S only



851
Black/Platinum White
Option price: \$2,590 (C 63)/\$0 (C 63 S)
C 63, C 63 S only



857
Black/Red Pepper
Option price: \$2,590 (C 63)/\$0 (C 63 S)
C 63, C 63 S only



811
Black w/ Grey Accents
Option price: \$0
C 63 S only

Interior Upholstery – Nappa Leather



801 + 555

Black w/ AMG Performance Seats

Option price: \$5,090 (C 63)/\$2,500 (C 63 S)

C 63, C 63 S only



851 + 555

Black/Platinum White w/ AMG Performance Seats

Option price: \$5,090 (C 63)/\$2,500 (C 63 S)

C 63, C 63 S only



857 + 555

Black/Red Pepper w/ AMG Performance Seats

Option price: \$5,090 (C 63)/\$2,500 (C 63 S)

C 63, C 63 S only



811 + 555

Black w/ Grey Accents w/ AMG Performance Seats

Option price: \$2,500

C 63 S only

Interior Upholstery – *designo* Nappa Leather



P62 Pkg
Platinum White Pearl/Black
Option price: \$3,500 (C 43)/\$3,100 (C 63)/
\$500 (C 63 S)
Requires Premium 3 or Premium 4 Package



P63 Pkg
Platinum White Pearl/Black
w/ AMG Performance Seats
Option price: \$5,600 (C 43 only)
Requires Premium 3 or Premium 4 Package



P62 + 555
Platinum White Pearl/Black
w/ AMG Performance Seats
Option price: \$5,600 (C 63)/\$3,000 (C 63 S)
Requires Premium 3 or Premium 4 Package



P87 Pkg
Saddle Brown/Black
Option price: \$3,500 (C 43)/\$3,100 (C 63)/
\$500 (C 63 S)
Requires Premium 3 or Premium 4 Package

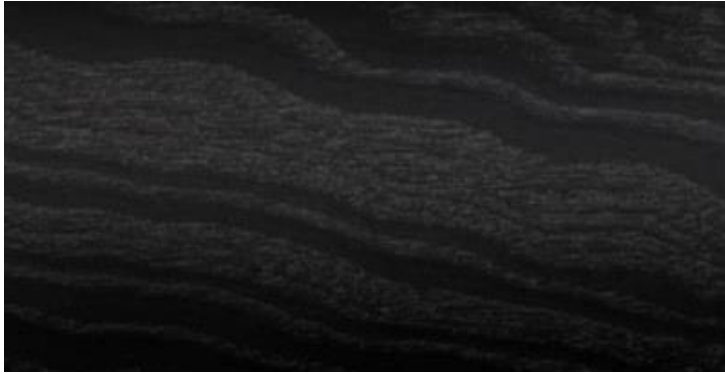


P88 Pkg
Saddle Brown/Black w/ AMG Performance Seats
Option price: \$5,600
C 43 only
Requires Premium 3 or Premium 4 Package



P87 + 555
Saddle Brown/Black
w/ AMG Performance Seats
Option price: \$5,600 (C 63)/\$3,000 (C 63 S)
Requires Premium 3 or Premium 4 Package

<i>Code</i>	<i>Upholstery</i>	<i>Seats</i>	<i>Floor Mats</i>	<i>Upper Dash/Lower Dash</i>	<i>Seat Belts</i>
641	Black MB-Tex w/ DINAMICA and Red Topstitching	Black w/ Red Topstitching	Black	Black/Black	Red
611	Black MB-Tex w/ DINAMICA	Black	Black	Black/Black	Black
251	Black leather	Black	Black	Black/Black	Black
267	Cranberry Red leather	Cranberry Red	Black	Black/Black	Black
268	Crystal Grey/Black leather	Crystal Grey/Black	Black	Black/Black	Black
241	Black leather w/ Red Topstitching	Black w/ Red Topstitching	Black	Black/Black	Red
801	Black Nappa leather	Black	Black	Black/Black	Black
851	Black/Platinum White Nappa leather	Black/Platinum White	Black	Black/Black	Black (Silver for C 63 S)
857	Black/Red Pepper Nappa leather	Black/Red Pepper	Black	Black/Black	Black
811	Black Nappa leather w/ Grey Accents	Black	Black	Black/Black	Silver
965/975	Platinum White/Black <i>designo</i> Nappa leather	Platinum White/Black	Black	Black/Black	Black
964/974	Saddle Brown/Black <i>designo</i> Nappa leather	Saddle Brown/Black	Black	Black/Black	Black



736

Natural Grain Black Ash Wood
Option price: \$0



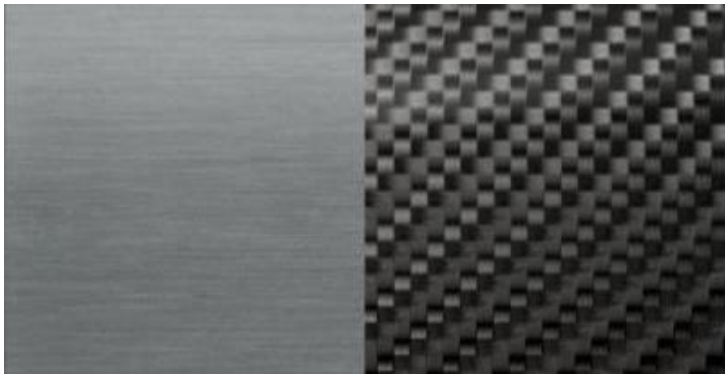
H07

Linden Wood
Option price: \$0



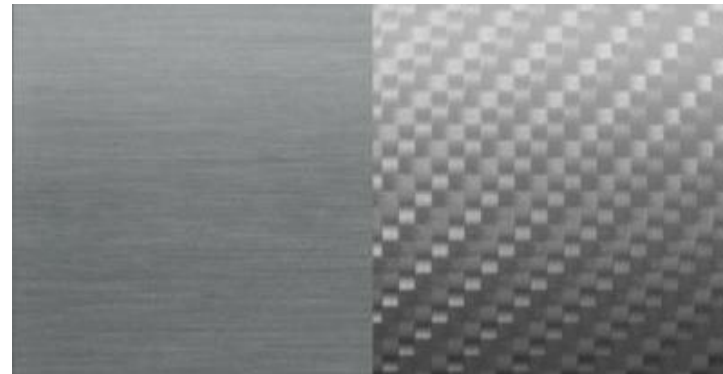
739

Natural Grain Black Ash Wood/Aluminum
Option price: \$0
Requires designo Platinum White upholstery (P62/P63)



H73

AMG Carbon Fiber
Option price: \$975



H84

AMG Silver Fiberglass
Option price: \$975

<i>Code</i>	<i>Packages</i>	<i>Availability</i>	<i>MSRP</i>
P01	<p>Premium 1 Package <i>Not with Premium 2, 3 or 4 Packages (P02, P03, P04)</i></p> <ul style="list-style-type: none"> ▪ 234 – Blind Spot Assist ▪ 536 – SiriusXM® Satellite Radio ▪ 889 – KEYLESS-GO 	All Models	\$ 0
P02	<p>Premium 2 Package <i>Not with Premium 1, 3 or 4 Packages (P01, P03, P04)</i> <i>Optional for C43, Standard on C63/C63 S</i> <i>Includes all Premium 1 Package features, plus:</i></p> <ul style="list-style-type: none"> ▪ 611 – Entrance lamps in doors ▪ 810 – Burmester® Surround Sound System ▪ 632 – LED headlamps 	C43 C63/ C63 S	\$ 1,700 \$ 0
P03	<p>Premium 3 Package <i>Not with Premium 1, 2 or 4 Packages (P01, P02, P04)</i> <i>Includes all Premium 2 Package features, plus:</i></p> <ul style="list-style-type: none"> ▪ 531 – COMAND navigation and voice control ▪ 502 – Navigation map updates included for 3 years ▪ 5 years SiriusXM Traffic and Weather services ▪ 8.4” high-resolution screen ▪ U25 – AMG illuminated door sill panels (standard on 63/63 S models) ▪ 448 – Touchpad ▪ 871 – HANDS-FREE ACCESS ▪ 877 – Ambient Lighting ▪ 881 – Electronic trunk closer 	C43 C63/C63 S	\$ 4,150 \$ 2,450

<i>Code</i>	<i>Packages</i>	<i>Availability</i>	<i>MSRP</i>
P04	<p>Premium 4 Package <i>Not with Premium 1, 2 or 3 Packages (P01, P02, P03)</i> <i>Includes all Premium 3 Package features, plus:</i></p> <ul style="list-style-type: none"> ▪ 223 – DISTRONIC PLUS with Steering Assist ▪ 237 – Active Blind Spot Assist (replaces 234 Blind Spot Assist) ▪ 238 – Active Lane Keeping Assist ▪ 253 – PRE-SAFE PLUS rear-end collision protection ▪ 268 – BAS® PLUS with Cross-Traffic Assist ▪ 540 – Power rear-window sunshade ▪ P21 – Air Balance ▪ 640 – Active LED headlamps ▪ 608 – Adaptive Highbeam Assist 	C 43 C 63/C 63 S	\$ 7,400 \$ 5,700
B28	<p>AMG Exterior Carbon-Fiber Package</p> <ul style="list-style-type: none"> ▪ Exterior mirror housings and trunk lid spoiler in carbon fiber 	All Models	\$ 1,750
996	<p>Parking Assist Package <i>Requires Premium 3 or Premium 4 Package</i></p> <ul style="list-style-type: none"> ▪ 235 – Parktronic with Active Parking Assist ▪ 501 – Surround View System 	All Models	\$ 1,090
521	<p>AMG Night Package <i>Requires Wheels 661, 604 or 606</i></p> <ul style="list-style-type: none"> ▪ P55 – High-gloss black elements: front splitter, rear diffuser insert, exhaust tailpipes 	C 43	\$ 200
521	<p>AMG Night Package</p> <ul style="list-style-type: none"> ▪ P60 – High-gloss black elements: A-wing along w/ trim strip on front bumper, side skirts, exterior mirror covers, window trim, trim above rear diffuser and exhaust tailpipes ▪ Lamella grille in silver-chrome 	C 63/C 63 S	\$ 750

<i>Code</i>	<i>Packages</i>	<i>Availability</i>	<i>MSRP</i>
P62	<p>designo Platinum White Pearl/Black Nappa leather <i>Requires 739 – Brushed Aluminum Door Trim with Natural Grain Black Ash Wood center console, H73 Carbon Fiber (\$975) or H84 Silver Fiberglass (\$975)</i> <i>Requires P03 or P04</i></p> <p>C 43:</p> <ul style="list-style-type: none"> 975 - <i>designo</i> Platinum White Pearl / Black Two-Tone Nappa leather seats in diamond quilt design, with white contrast stitching, and <i>designo</i> badge on backrests of front and rear seats Center door panels in <i>designo</i> Platinum White Pearl Nappa leather and center console armrests in <i>designo</i> Black Nappa leather 401 – Heated and ventilated front seats <p>C 63/C 63 S:</p> <ul style="list-style-type: none"> 965 - <i>designo</i> AMG Platinum White Pearl / Black Two-Tone Nappa leather seats in diamond quilt design, with white contrast topstitching, and AMG badge on backrests of front and rear seats Door panels in <i>designo</i> Platinum White Pearl Nappa leather and armrests in <i>designo</i> Black Nappa leather Option: 555 – AMG Performance seats (+\$2,500) 	C 43	\$ 3,500
P63	<p>designo Platinum White Pearl /Black Nappa leather <i>Requires 739 – Brushed Aluminum Door Trim with Natural Grain Black Ash Wood center console, H73 carbon fiber (\$975) or H84 Silver Fiberglass (\$975)</i> <i>Requires P03 or P04</i></p> <p>C 43 only:</p> <ul style="list-style-type: none"> 965 - <i>designo</i> AMG Platinum White Pearl / Black Two-Tone Nappa leather seats in diamond quilt design, with white contrast stitching, and AMG badge on backrests of front and rear seats Center door panels in <i>designo</i> Platinum White Pearl Nappa leather and center console armrests in <i>designo</i> Black Nappa leather 555 – AMG Performance seats 	C 43	\$ 5,600

<i>Code</i>	<i>Options</i>	<i>Availability</i>	<i>MSRP</i>
463	Head-Up Display w/ AMG specific content	All Models	\$ 990
U78	AMG Performance Exhaust System	All Models	\$ 1,250
555	AMG Performance seats	All Models	\$ 2,500
U93	AMG carbon fiber rear spoiler	All Models	\$ 700
313	Roller sunblinds for the rear windows (manual)	All Models	\$ 380
540	Electric roller sunblind for rear window	All Models	\$ 440
413	Panorama roof	All Models	\$ 1,480
2xx	Leather upholstery	C 43	\$ 1,620
281	AMG Nappa/DINAMICA Performance steering wheel <i>Standard on C 63 S</i>	C 43/C 63	\$ 500
401	Heated and ventilated front seats C 43: <i>Requires 251, 267 and 268 upholsteries or included in a designo package (P62, P87) Not available with AMG Performance seats (555).</i> C 63/C 63 S: <i>Requires designo upholstery package (P62, P87). Not available with AMG Performance seats (555).</i>	C 43 C 63/C 63 S	\$ 450 \$ 450
U17	Replace red or silver seat belts with black	C 43, C 63 S	\$ 0

<i>Code</i>	<i>Options</i>	<i>Availability</i>	<i>MSRP</i>
8xx	Nappa leather upholstery	C 63 C 63 S	\$ 2,590 \$ 0
Y05	Red seatbelts <i>C 43 standard w/ 641 and 241 upholsteries.</i>	C 63/C 63 S	\$ 500
B07	AMG High-Performance Ceramic Composite Front Braking System	C 63 S	\$ 5,450
<i>Code</i>	<i>VPC Installed Accessories</i>	<i>Availability</i>	<i>MSRP</i>
03A	SD card reader for GARMIN® Map Pilot Navigation	All Models	\$ 625
00A	Illuminated Star <i>Not with Premium 4 package (P04).</i>	All Models	\$ 550
068	Wheel locks	All Models	\$ 150
070	Chrome door handle inserts	All Models	\$ 100
15A	LED logo projectors <i>C43: Requires Premium 2 (P02), Premium 3 (P03) or Premium 4 (P04)</i> <i>C63/63 S: No restrictions</i>	All Models	\$ 200

Steering Wheels



Sport Steering Wheel (277)

Standard on C 43

- The 12 ergonomic control buttons on the leather multifunction sport steering wheel with flattened bottom section and perforated side grips enable operation of the display menus in the instrument cluster and the Audio/COMAND display on the left.
- On the right, the driver can control the volume of audio devices, telephone and navigation system. Silver-colored aluminum shift paddles emphasize the sporty appeal.



AMG Performance Steering Wheel (300#)

Standard on C 63

- The AMG Performance steering wheel in Nappa leather with perforated side grips features AMG-specific shift paddles
- The "AMG" badge underscores the sporty character.



AMG Performance Steering Wheel w/ DINAMICA inserts (281)

Standard on C 63 S, Optional on C 43 and C 63

- For even better grip and performance feel, the grip area is finished in DINAMICA.
- Colored 12 o'clock marking available on C 63 S only. Red Pepper nappa upholstery (857) comes with red marking, Black nappa leather w/ grey accents (811) and Platinum White/black nappa leather (851) come with silver marking. Black Nappa Leather (801) comes with black marking.

Brakes



Sports Braking System (307#)

Standard on C 43 only

4-piston front and single piston rear calipers

- Front axle: brake disks measuring 14.2 x 1.4 inch, internally ventilated and perforated, with 4-piston aluminum fixed caliper and black "AMG" lettering
- Rear axle: brake disks measuring 12.6 x 0.9 inch, internally ventilated, with 1-piston floating caliper with brake caliper-integrated electric parking brake
- Painted in silver brake calipers



AMG High-Performance Braking System (B06)

Standard on C 63 only

6-piston front and single piston rear calipers

- Front axle: integral brake discs measuring 14.2 x 1.4 inch, internally ventilated and perforated with 6-piston fixed caliper
- Rear axle: brake discs measuring 14.2 x 1.0 inch, internally ventilated and perforated with 1-piston floating caliper
- grey-painted brake calipers with white AMG lettering
- Painted in grey brake calipers



AMG High-Performance Composite Braking System (U70)

Standard on C 63 S only

6-piston front and single piston rear calipers

- Front axle: Compound brake disc measuring 15.4 x 1.4 inch, internally ventilated and perforated with 6-piston fixed caliper
- Rear axle: Brake discs measuring 14.2 x 1.0 inch, internally ventilated and perforated with 1-piston floating caliper
- Increased fade resistance and reduced thermal deformation of brake discs
- Painted in red brake calipers



AMG High-Performance Ceramic Composite Braking System (B07)

Option price: \$5,450 (C 63 S only)

6-piston front and single piston rear calipers

- Front axle: compound ceramic disc with a diameter of 15.8 x 1.5 inch, internally ventilated and perforated, with 6-piston fixed caliper
- Rear axle: integral brake disc with a diameter of 14.1 x 1.0 inch, internally ventilated, perforated and grooved with 1-piston combined floating brake caliper
- Bronze brake calipers with 30% weight saving compared with standard brake discs

Seat Belt Differentiation

AMG C 63	611 MB-Tex/ Dinamica	801 Black leather	857 Red Pepper/ Black leather	851 Platinum White/ Black	P62 <i>designo</i> Platinum White/Black	P87 <i>designo</i> Saddle Brown/ Black
Y05 Red seat belts	O	O	-	O	-	-
Y04 Silver seat belts	-	-	-	-	-	-
Black seat belts	S	S	S	S	S	S
AMG C 63 S	811 Black w/ Grey Accents leather	857 Red Pepper/ Black leather	851 Platinum White/Black	P62 <i>designo</i> Platinum White/Black	P87 <i>designo</i> Saddle Brown/Black	
Y05 Red seat belts	O	-	O	-	-	
Y04 Silver seat belts	S	-	S	O	-	
U17 Black seat belts	O (Must select: U17 – C63 S black seat belt)	S	S (Must select: U17 – C63 S black seat belt)	S	S	



Y05 – Red seat belts
C43 – Standard w/ 641 & 241 upholsteries,
Not available w/other upholsteries
C63/C63 S – \$500



Y04 – Silver seat belts
C43/63 – Not available
C63 S – No cost

	<i>C43</i>	<i>C63</i>	<i>C63S</i>
Engine Configuration	AMG-Enhanced 3.0L V6 Biturbo	Handcrafted AMG 4.0L V8 Biturbo	Handcrafted AMG 4.0L V8 Biturbo
Power (hp)	362 @ 5,500 – 6,000 rpm	469 @ 5,500 – 6,250 rpm	503 @ 5,500 – 6,250 rpm
Torque (lb-ft)	384 @ 2,000 – 4,200 rpm	479 @ 1750 – 4500 rpm	516 @ 1750 – 4500 rpm
Displacement (cc)	2.996	3.982	3.982
Acceleration 0-60 mph (sec)	4.6	4.0	3.9
Fuel Economy (Cty/Hwy/Comb)	20/28/23	18/25/21	18/24/20
Top Speed (mph)	130	155	180
Fuel Requirement (Octane)	91	91	91
# Valves per cylinder	4	4	4
Compression	10.5 : 1	10.5 : 1	10.5 : 1
Transmission	AMG-enhanced 9G-TRONIC	7-speed AMG SPEEDSHIFT® MCT	7-speed AMG SPEEDSHIFT® MCT
Transmission Speeds	9	7	7
Drive Configuration	AMG Performance 4MATIC	Rear Wheel Drive	Rear Wheel Drive
Standard Tire Type	All Season	Summer High-Performance	Summer High-Performance
Fuel Tank Size (gallons)	17.4	17.4	17.4
Trunk Size (cubic feet)	15.4	15.4	15.4
Curb Weight (lbs)	3,759	3,829	3,856
Vehicle Length (in.)	185	187	187
Vehicle Width w/ mirrors (in.)	79.5	79.5	79.5
Vehicle Width w/o mirrors (in.)	71.3	72.4	72.4
Vehicle Height (in.)	69	69	69
Wheelbase	111.8	111.8	111.8
Track Width Front/Rear (in.)	62/61	63/61	63/61
Coefficient of Drag	0.32	0.32	0.33

Specifications* – C 63/C 63 S

