

Document number: pe82.10-p-2000-97fab

Document title: Exterior lights wiring diagram

Code: Designation: Position:

A0	Color code key	64L
Code 494	USA version	17J
Code 494	USA version	15J
Code 494	USA version	30J
Code 494	USA version	30J
Code B03	ECO start/stop function	1K
E1	Left front lamp unit	5L
E1	Left front lamp unit	18L
E1e1	Left high beam	6L
E1e1	Left high beam	19L
E1e12	Left front standing light 2	7L
E1e2	Left low beam	8L
E1e2	Left low beam	21L
E1e3	Left front standing and parking lamp	7L
E1e3	Left front standing and parking lamp	20L
E1e5	Left front turn signal lamp	6L
E1e5	Left front turn signal lamp	19L
E2	Right front lamp unit	10L
E2	Right front lamp unit	25L
E2e1	Right high beam	10L
E2e1	Right high beam	25L
E2e12	Right front standing light 2	12L
E2e2	Right low beam	12L
E2e2	Right low beam	27L
E2e3	Right front standing and parking lamp	11L
E2e3	Right front standing and parking lamp	26L
E2e5	Right front turn signal lamp	11L
E2e5	Right front turn signal lamp	26L
E2e6	Right front side-marker lamp	23L
E2e6	Right front side-marker lamp	30L
E6/1	Left front side-marker lamp	15L
E6/2	Right front side-marker lamp	16L
LIN 1	Instrument panel LIN	35J
LIN 1	Instrument panel LIN	34F
N10/1	Front SAM control unit with fuse and relay module	4A
N10/1	Front SAM control unit with fuse and relay module	11A
N10/1	Front SAM control unit with fuse and relay module	20A
N10/1	Front SAM control unit with fuse and relay module	28A
N10/1	Front SAM control unit with fuse and relay module	36A

Document number: pe82.10-p-2000-97fab

Document title: Exterior lights wiring diagram

Code: Designation: Position:

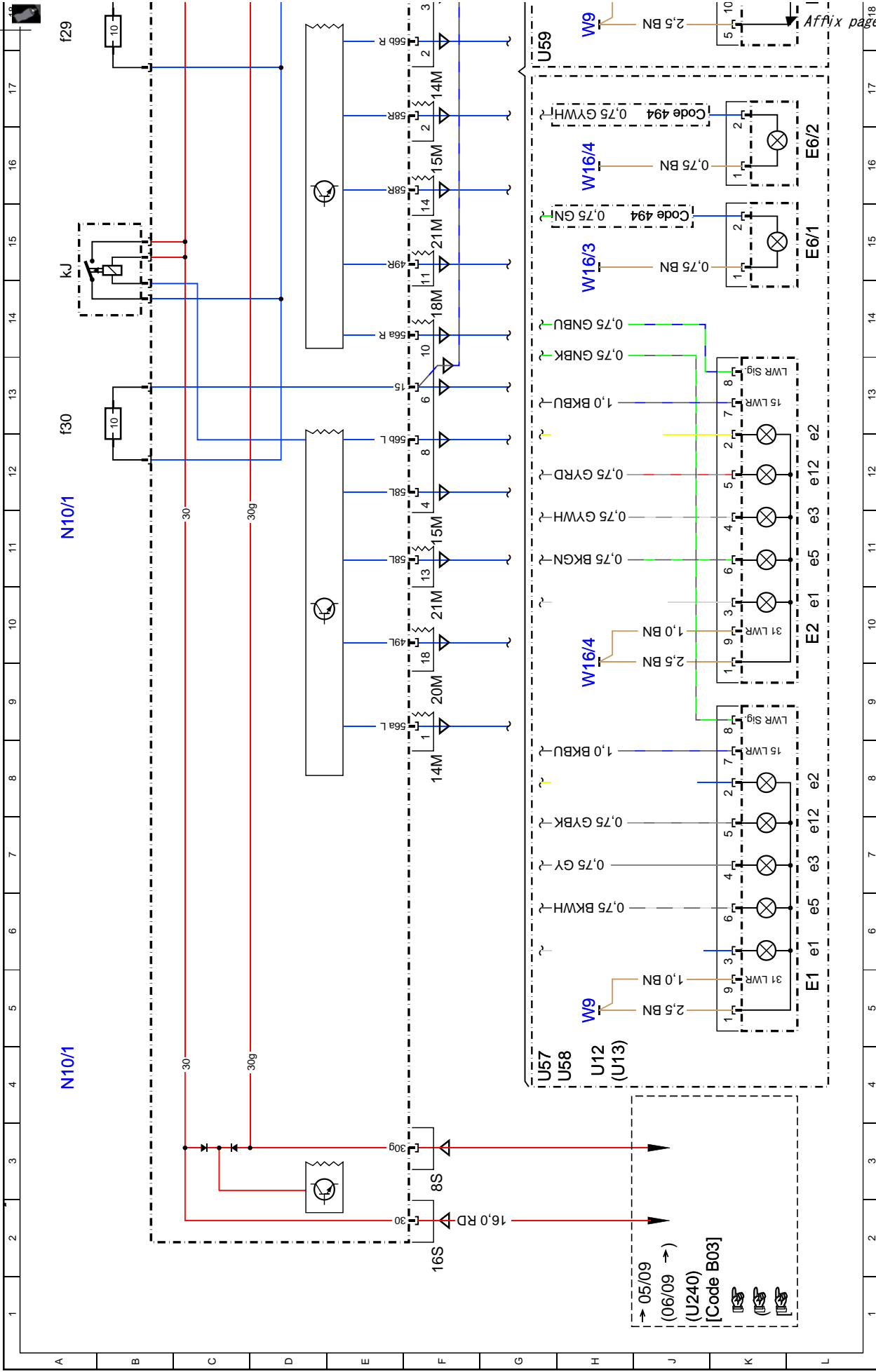
N10/1	Front SAM control unit with fuse and relay module	44A
N10/1	Front SAM control unit with fuse and relay module	52A
N10/1f18	Fuse 18	37A
N10/1f29	Fuse 29	18A
N10/1f30	Fuse 30	13A
N10/1f5	Fuse 5	43A
N10/1kJ	Circuit 15 relay	15A
S1	Exterior lights switch	36L
S1	Exterior lights switch	45L
Ste1	Front fog lamps indicator lamp	36K
Ste2	Rear fog lamp indicator lamp	37K
Ste3	Standing lamps indicator lamp	37L
Ste4	Switch illumination	45L
Ste4	Switch illumination	36K
Sis10	Rear fog light button	44K
Sis11	Front fog lamp button	44J
Sis8	Headlamp range controller	33K
Sis8	Headlamp range controller	41K
U12	Valid for left-hand drive vehicles	4H
U12	Valid for left-hand drive vehicles	39H
U13	Valid for right-hand drive vehicles	4H
U13	Valid for right-hand drive vehicles	39J
U2	Valid for all except USA	29J
U2	Valid for all except USA	28J
U240	Valid for all except ECO start/stop function	1J
U248	Valid for headlamp range adjustment for halogen headlamps	32G
U248	Valid for headlamp range adjustment for halogen headlamps	40G
U255	Valid for front fog lamps	50G
U516	Valid for emissions standard EURO 4	31G
U57	Valid for model 204.2	4G
U58	Valid for model 204.0	4H
U59	Valid for model 204.9	17G
U880	Valid for diesel engine 642	31G
U971	Valid for daytime running lamps	50G
W15/5	Left front footwell ground point	40L
W15/7	Right front footwell ground point	40L
W16/3	Left major assembly compartment ground point	15H
W16/4	Right wheelhouse ground point	9H
W16/4	Right wheelhouse ground point	16H

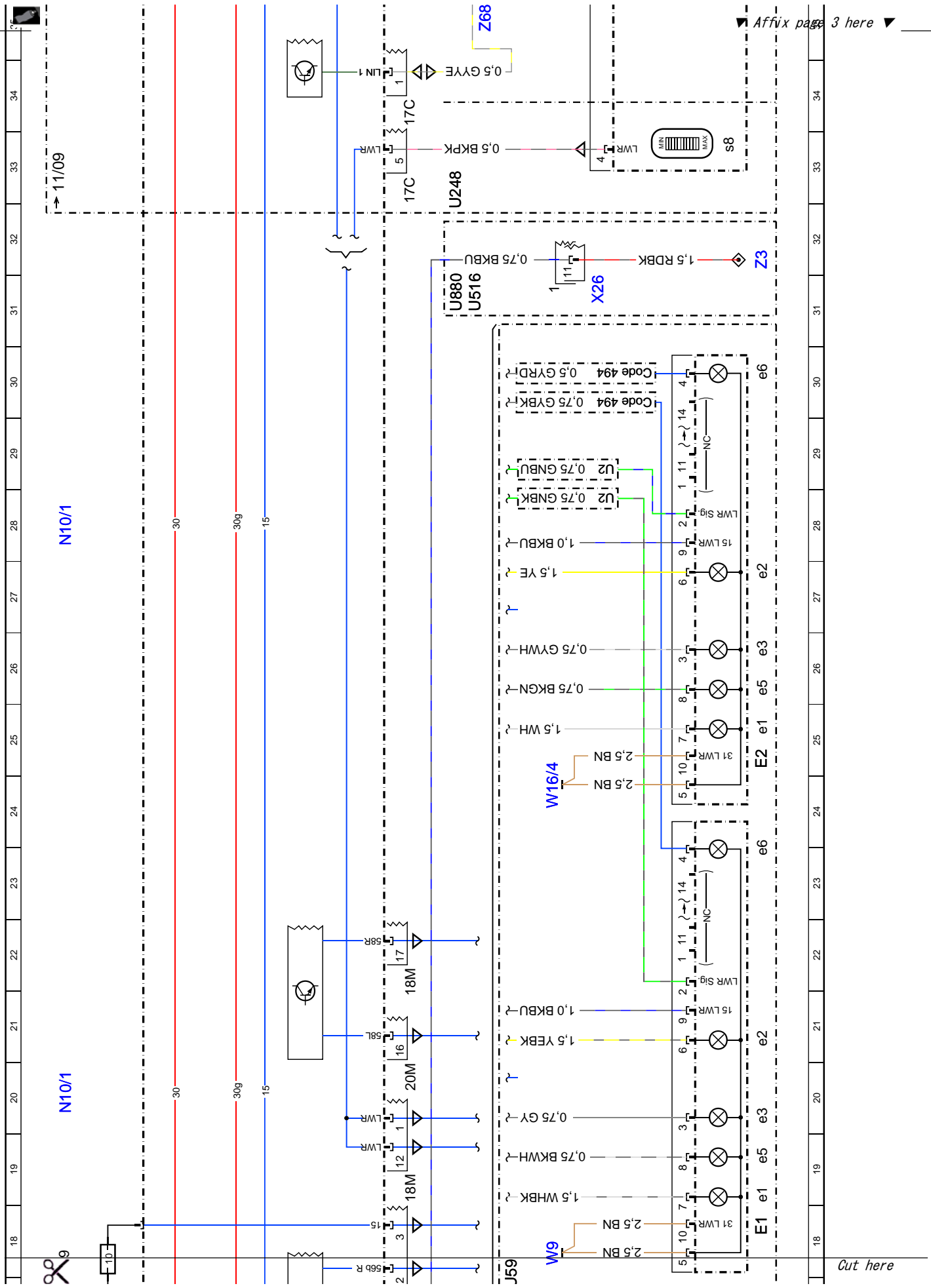
Document number: pe82.10-p-2000-97fab

Document title: Exterior lights wiring diagram

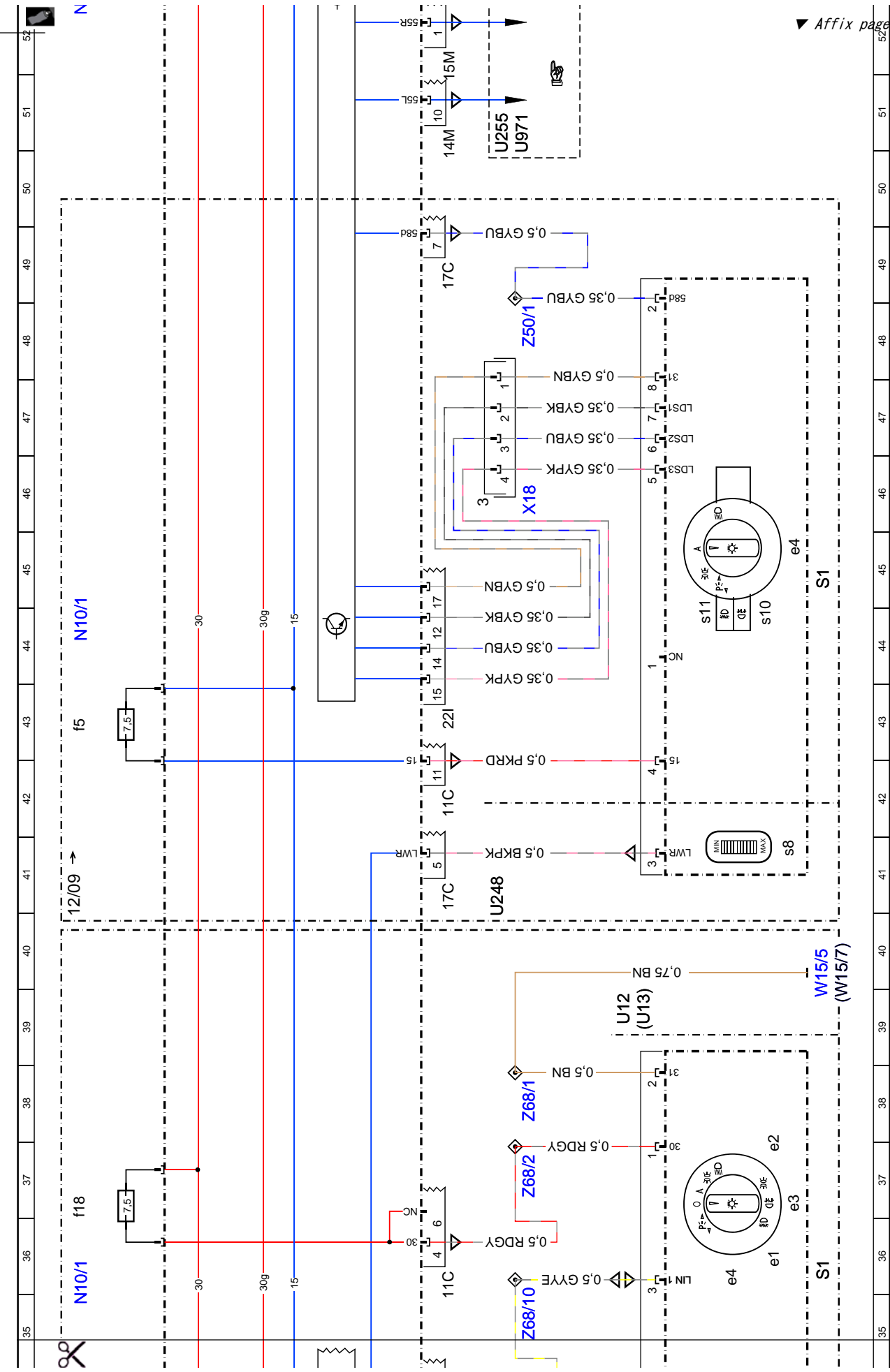
Code: Designation: Position:

W16/4	Right wheelhouse ground point	24H
W9	Left front ground point (at lamp unit)	5H
W9	Left front ground point (at lamp unit)	18H
X18	Vehicle interior and harness for taillamp electrical connector	46G
X26	Interior and engine wiring harness electrical connector	31J
Z3	Tml. 15 connector sleeve	32L
Z50/1	Circuit 58d instrument panel connector sleeve	48G
Z68/1	Instrument panel circuit 31 climate control LIN connector sleeve	38G
Z68/10	Instrument panel LIN connector sleeve	35G
Z68/2	Instrument panel climate control LIN positive line connector sleeve	37G



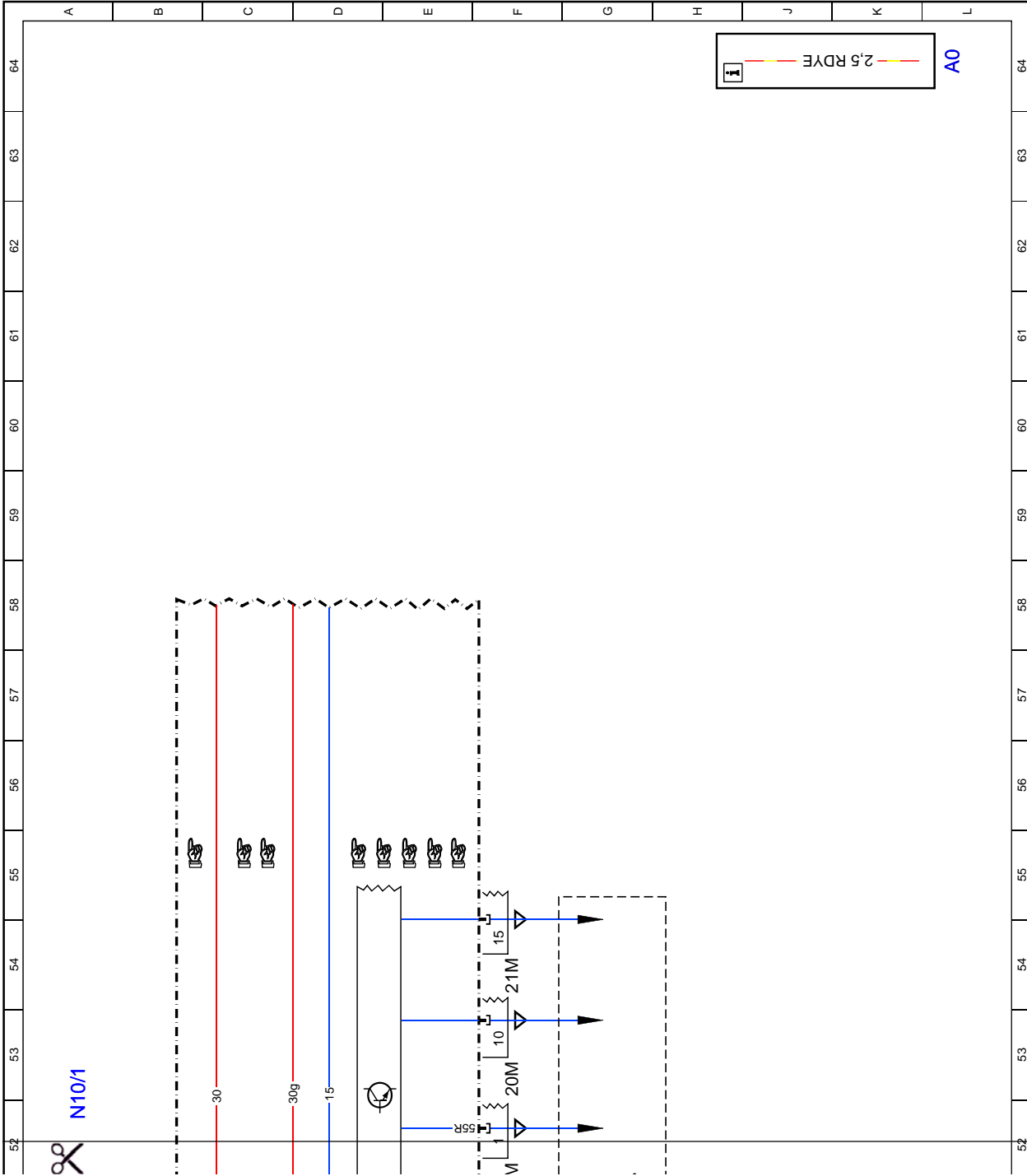


▼ Affix page 3 here ▼



▼ Affix page 4 here ▼

Cut here



Cut here