

Document number: pe82.10-p-2000-97fae

Document title: Exterior lights wiring diagram

Code: Designation: Position:

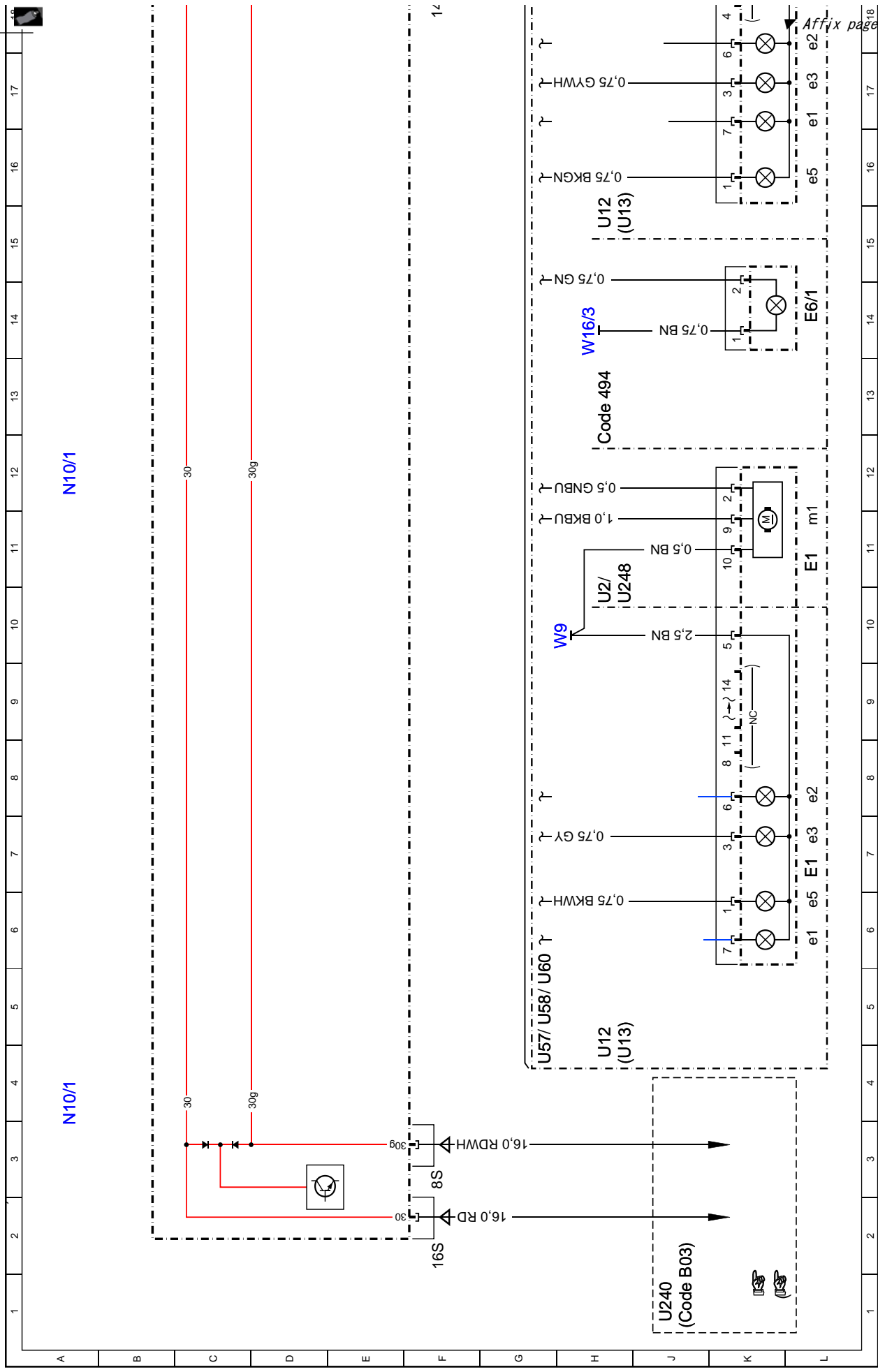
| | | |
|----------|---|-----|
| A0 | Color code key | 64L |
| Code 494 | USA version | 32H |
| Code 494 | USA version | 12H |
| Code 494 | USA version | 22H |
| Code 494 | USA version | 40H |
| Code B03 | ECO start/stop function | 1J |
| E1 | Left front lamp unit | 7L |
| E1 | Left front lamp unit | 11L |
| E1 | Left front lamp unit | 29L |
| E1e1 | Left high beam | 6L |
| E1e1 | Left high beam | 26L |
| E1e2 | Left low beam | 8L |
| E1e2 | Left low beam | 27L |
| E1e3 | Left front standing and parking lamp | 7L |
| E1e3 | Left front standing and parking lamp | 27L |
| E1e5 | Left front turn signal lamp | 6L |
| E1e5 | Left front turn signal lamp | 26L |
| E1e6 | Left front side-marker lamp | 33L |
| E1m1 | Left headlamp range adjustment actuator motor | 11L |
| E1m1 | Left headlamp range adjustment actuator motor | 31L |
| E2 | Right front lamp unit | 19L |
| E2 | Right front lamp unit | 35L |
| E2 | Right front lamp unit | 38L |
| E2e1 | Right high beam | 17L |
| E2e1 | Right high beam | 35L |
| E2e2 | Right low beam | 18L |
| E2e2 | Right low beam | 36L |
| E2e3 | Right front standing and parking lamp | 17L |
| E2e3 | Right front standing and parking lamp | 35L |
| E2e5 | Right front turn signal lamp | 16L |
| E2e5 | Right front turn signal lamp | 34L |
| E2e6 | Right front side-marker lamp | 42L |
| E2m1 | Right headlamp range adjustment actuator motor | 21L |
| E2m1 | Right headlamp range adjustment actuator motor | 39L |
| E6/1 | Left front side-marker lamp | 14L |
| E6/2 | Right front side-marker lamp | 24L |
| N10/1 | Front SAM control unit with fuse and relay module | 12A |
| N10/1 | Front SAM control unit with fuse and relay module | 4A |
| N10/1 | Front SAM control unit with fuse and relay module | 20A |

Code: **Designation:** **Position:**

| | | |
|----------|---|-----|
| N10/1 | Front SAM control unit with fuse and relay module | 28A |
| N10/1 | Front SAM control unit with fuse and relay module | 36A |
| N10/1 | Front SAM control unit with fuse and relay module | 44A |
| N10/1 | Front SAM control unit with fuse and relay module | 52A |
| N10/1 | Front SAM control unit with fuse and relay module | 59A |
| N10/1f29 | Fuse 29 | 29A |
| N10/1f30 | Fuse 30 | 23A |
| N10/1f5 | Fuse 5 | 45A |
| N10/1kJ | Circuit 15 relay | 24A |
| S1 | Exterior lights switch | 47L |
| S1e4 | Switch illumination | 47L |
| S1s10 | Rear fog light button | 47K |
| S1s11 | Front fog lamp button | 47J |
| S1s8 | Headlamp range controller | 44K |
| U12 | Valid for left-hand drive vehicles | 4H |
| U12 | Valid for left-hand drive vehicles | 15H |
| U13 | Valid for right-hand drive vehicles | 4H |
| U13 | Valid for right-hand drive vehicles | 15H |
| U2 | Valid for all except USA | 10H |
| U2 | Valid for all except USA | 20H |
| U2 | Valid for all except USA | 30H |
| U2 | Valid for all except USA | 38H |
| U2 | Valid for all except USA | 42G |
| U240 | Valid for all except ECO start/stop function | 1J |
| U248 | Valid for headlamp range adjustment for halogen headlamps | 10H |
| U248 | Valid for headlamp range adjustment for halogen headlamps | 20H |
| U248 | Valid for headlamp range adjustment for halogen headlamps | 30H |
| U248 | Valid for headlamp range adjustment for halogen headlamps | 38H |
| U248 | Valid for headlamp range adjustment for halogen headlamps | 43G |
| U255 | Valid for front fog lamps | 52K |
| U57 | Valid for model 204.2 | 4G |
| U58 | Valid for model 204.0 | 5G |
| U59 | Valid for model 204.9 | 25G |
| U60 | Valid for model 204.3 | 5G |
| U971 | Valid for daytime running lamps | 52K |
| W16/3 | Left major assembly compartment ground point | 14H |
| W16/4 | Right wheelhouse ground point | 20H |
| W16/4 | Right wheelhouse ground point | 24H |
| W16/4 | Right wheelhouse ground point | 38H |

Document number: pe82.10-p-2000-97fae
Document title: Exterior lights wiring diagram

| Code: | Designation: | Position: |
|--------------|---|------------------|
| W9 | Left front ground point (at lamp unit) | 10H |
| W9 | Left front ground point (at lamp unit) | 29H |
| X18 | Vehicle interior and harness for tail lamp electrical connector | 48G |
| Z50/1 | Circuit 58d instrument panel connector sleeve | 50G |



14

Code 494

U12 (U13)

W16/3

E6/1

U2/U248

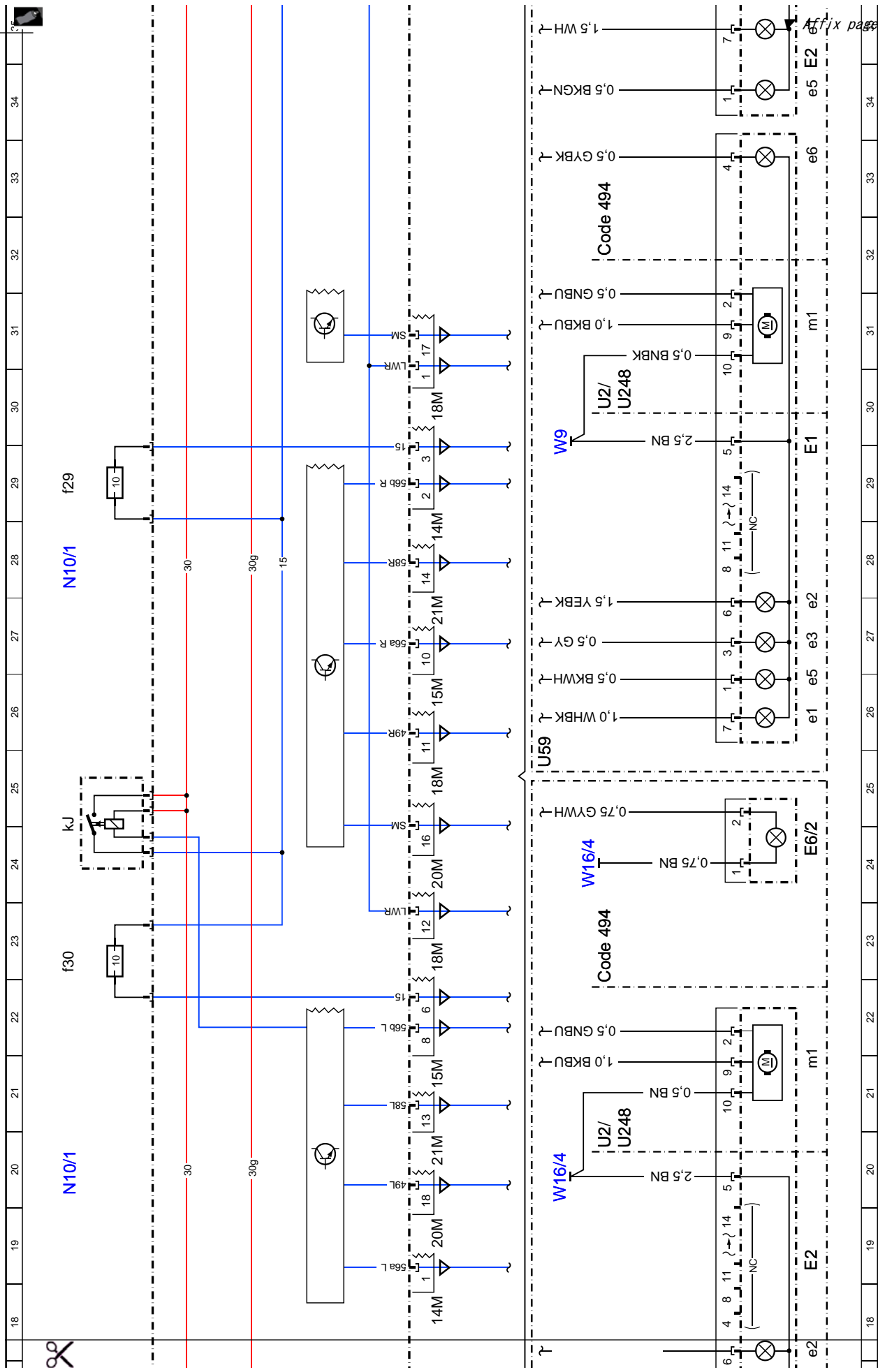
W9

E1 m1

U57/ U58/ U60

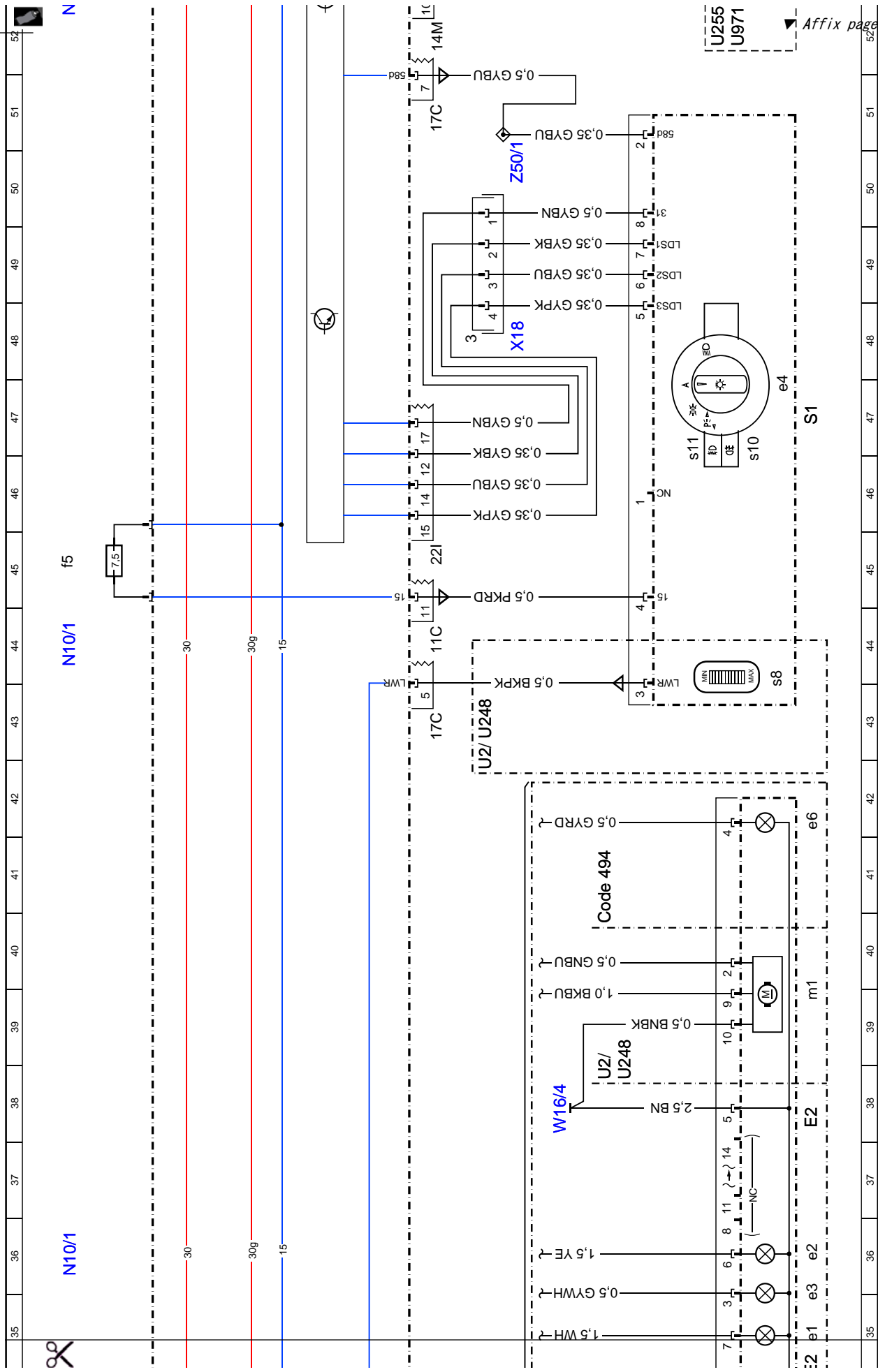
U240 (Code B03)

Affix page 2 here ▼



Cut here

Affix page 3 here



Cut here

▼ Affix page 4 here ▼

