

Document number: pe82.10-p-2000-97fad

Document title: Exterior lights wiring diagram

Code: Designation: Position:

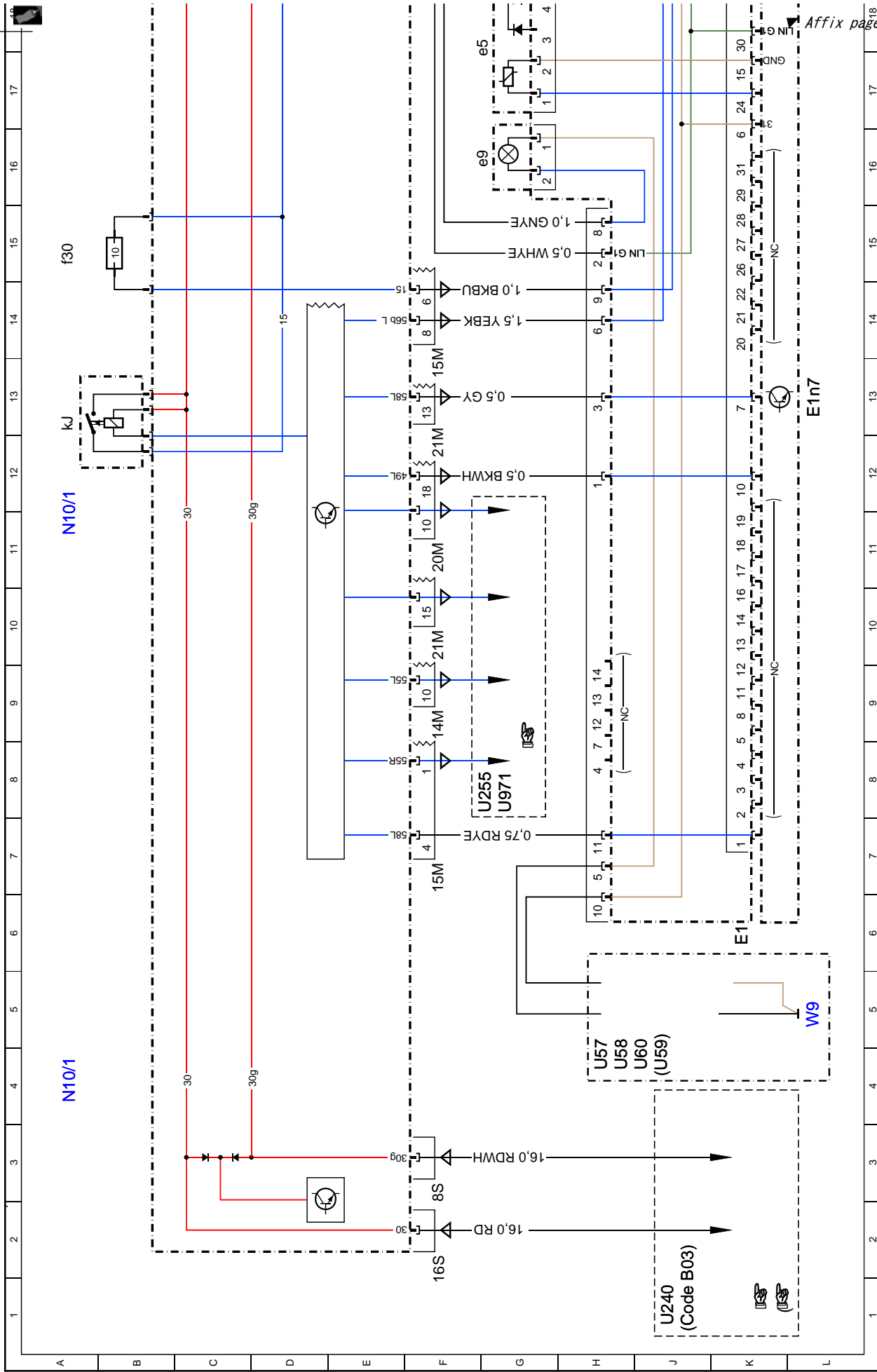
A0	Color code key	80L
Code 494	USA version	61F
Code B03	E00 start/stop function	1J
E1	Left front lamp unit	6K
E1b1	Left active curve illumination position sensor	21G
E1b2	Left light distribution position sensor	23G
E1e10	Left xenon bulb with integrated ignition module	30G
E1e3	Left front standing and parking lamp	19G
E1e5	Left front turn signal lamp	18G
E1e9	Left cornering illumination	16G
E1m1	Left headlamp range adjustment actuator motor	26G
E1m2	Left active curve illumination actuator motor	22G
E1m3	Left light distribution actuator motor	24G
E1n4	Left xenon light power supply module	29L
E1n7	Actuation module for left front exterior lights LED	13L
E1n7	Actuation module for left front exterior lights LED	20L
E2	Right front lamp unit	36K
E2b1	Right active curve illumination position sensor	51G
E2b2	Right light distribution position sensor	53G
E2e10	Right xenon bulb with integrated ignition module	59G
E2e3	Right front standing and parking lamp	49G
E2e5	Right front turn signal lamp	47G
E2e9	Right cornering illumination	46G
E2m1	Right headlamp range adjustment actuator motor	56G
E2m2	Right active curve illumination actuator motor	52G
E2m3	Right light distribution actuator motor	54G
E2n4	Right xenon light power supply module	58L
E2n7	Actuation module for right front exterior lights LED	38L
E2n7	Actuation module for right front exterior lights LED	45L
E6/1	Left front side-marker lamp	61L
E6/2	Right front side-marker lamp	63L
LIN G1	Left headlamp LIN	15H
LIN G1	Left headlamp LIN	22K
LIN G1	Left headlamp LIN	28K
LIN G1	Left headlamp LIN	18K
LIN G1	Left headlamp LIN	51K
LIN G1	Left headlamp LIN	57K
LIN G2	Right headlamp LIN	39H
LIN G2	Right headlamp LIN	47K

Document number : pe82.10-p-2000-97fad

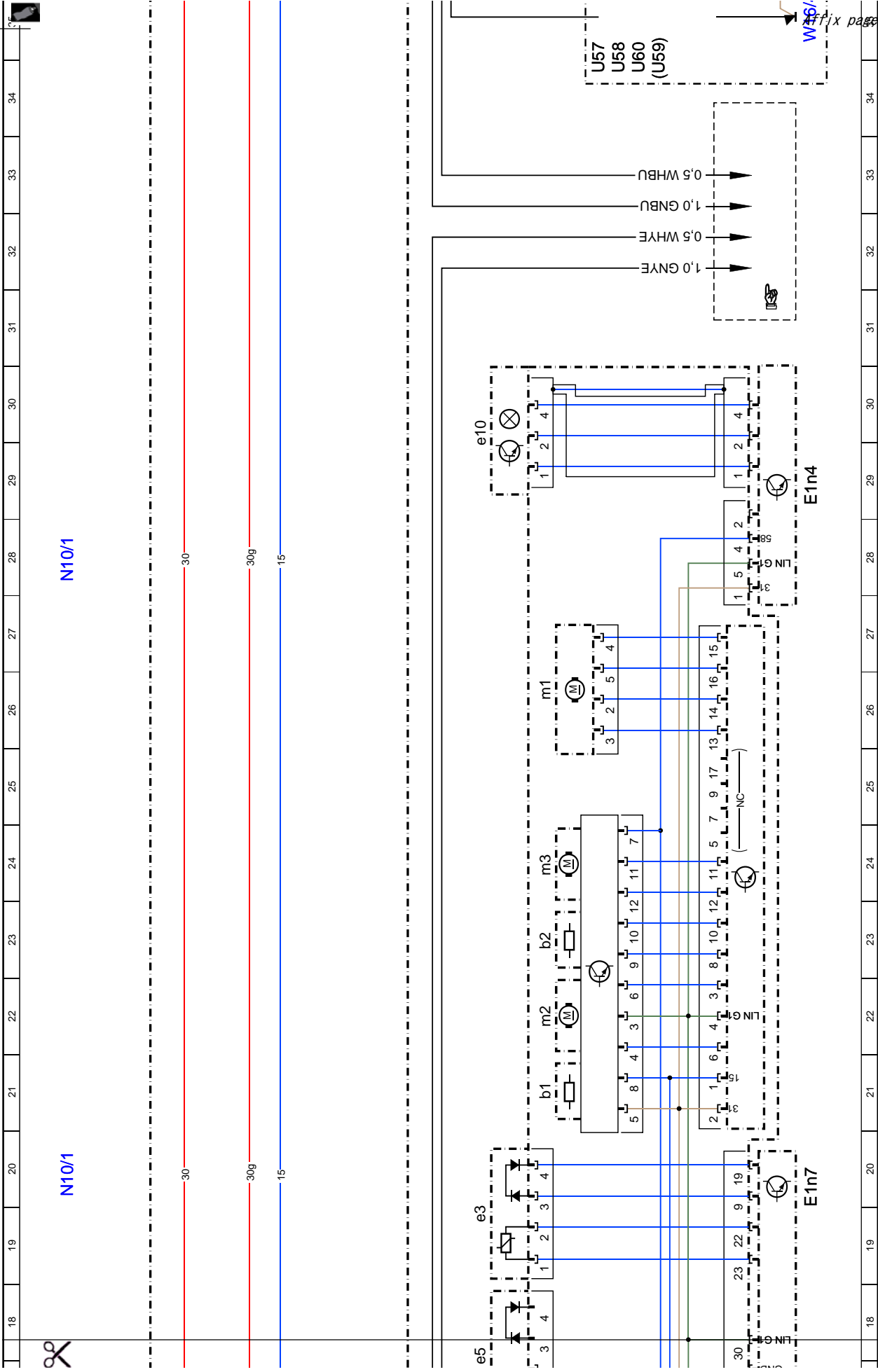
Document title : Exterior lights wiring diagram

Code: Designation: Position:

N10/1	Front SAM control unit with fuse and relay module	4A
N10/1	Front SAM control unit with fuse and relay module	11A
N10/1	Front SAM control unit with fuse and relay module	28A
N10/1	Front SAM control unit with fuse and relay module	20A
N10/1	Front SAM control unit with fuse and relay module	36A
N10/1	Front SAM control unit with fuse and relay module	45A
N10/1	Front SAM control unit with fuse and relay module	52A
N10/1	Front SAM control unit with fuse and relay module	60A
N10/1	Front SAM control unit with fuse and relay module	68A
N10/1	Front SAM control unit with fuse and relay module	44A
N10/1f29	Fuse 29	15A
N10/1f30	Fuse 30	65A
N10/1f5	Fuse 5	13A
N10/1kJ	Circuit 15 relay	67L
S1	Exterior lights switch	67L
S1e4	Switch illumination	66K
S1s10	Rear fog light button	66J
S1s11	Front fog lamp button	1J
U240	Valid for all except E00 start/stop function	8G
U255	Valid for front fog lamps	4H
U57	Valid for model 204.2	34H
U58	Valid for model 204.0	4H
U58	Valid for model 204.0	34H
U59	Valid for model 204.9	4J
U60	Valid for model 204.3	4J
U60	Valid for model 204.3	34J
U971	Valid for daytime running lamps	8G
W16/3	Left major assembly compartment ground point	61H
W16/4	Right wheelhouse ground point	35L
W16/4	Right wheelhouse ground point	62H
W9	Left front ground point (at lamp unit)	5L
X18	Vehicle interior and harness for tail lamp electrical connector	68G
Z50/1	Circuit 58d instrument panel connector sleeve	70G



Affix page 2 here ▼



N10/1

N10/1

30

30g

15

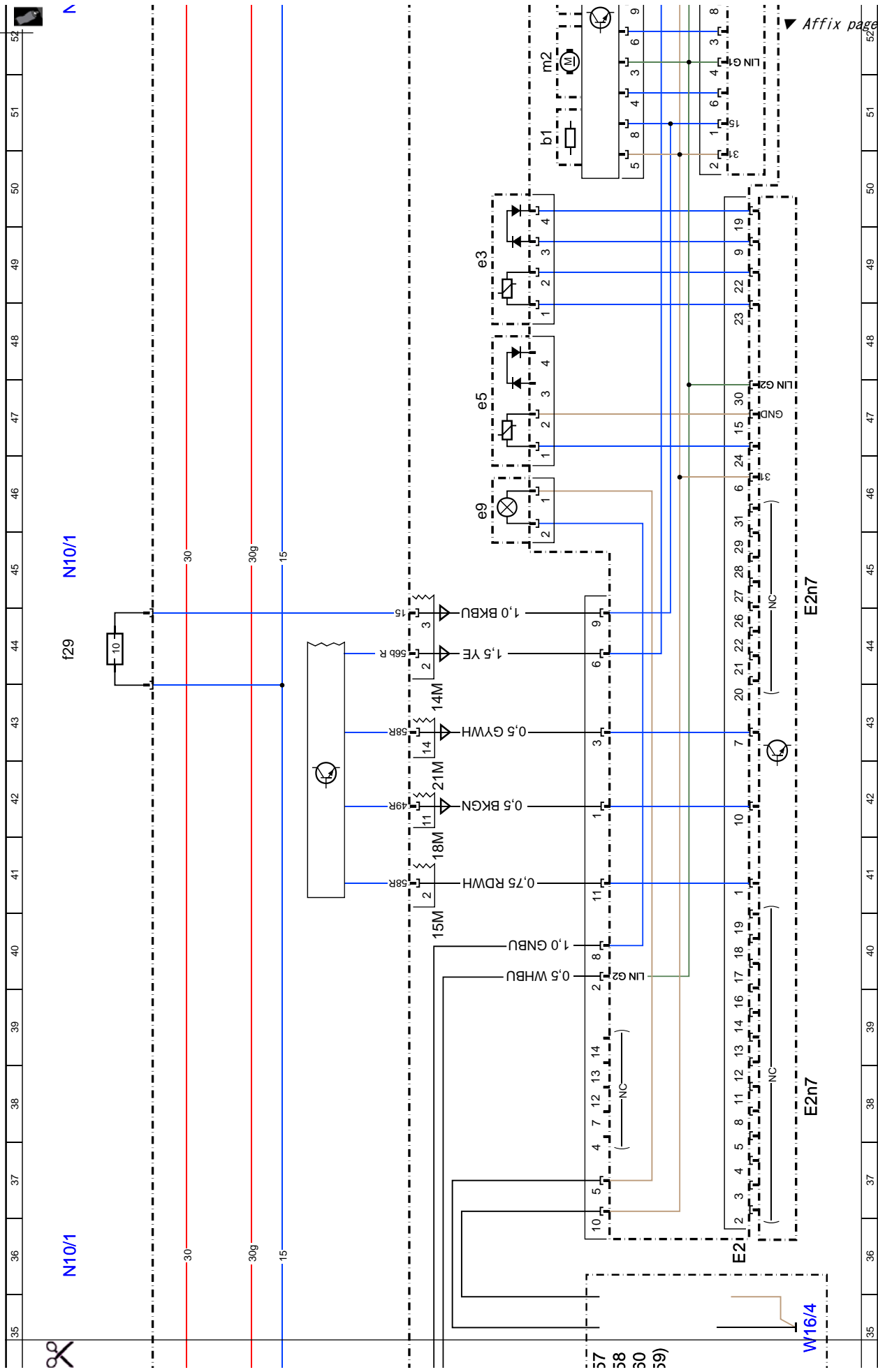
30

30g

15

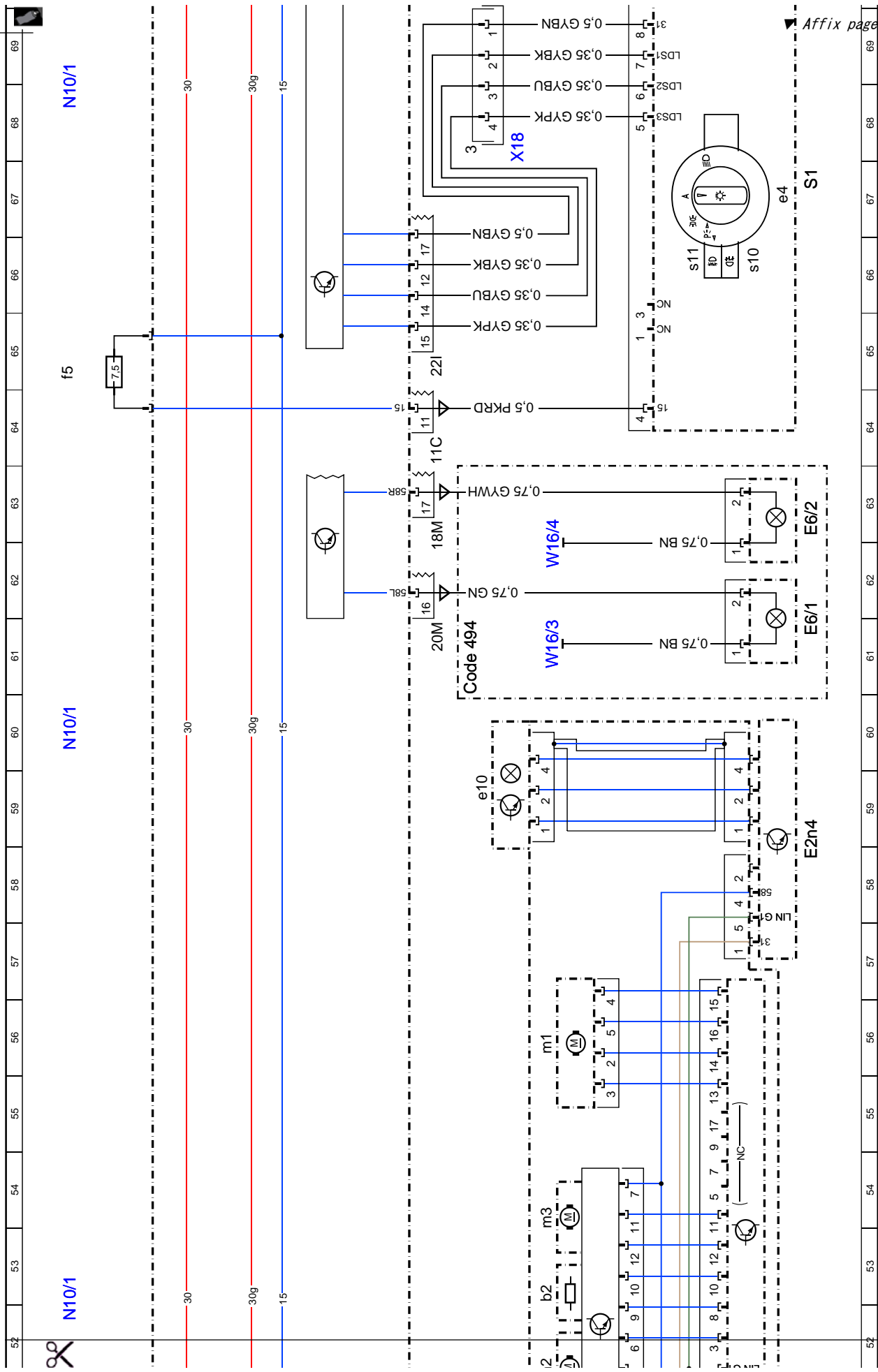
W56/ Affix page 3 here

Cut here



▼ Affix page 4 here ▼

Cut here



▼ Affix page 5 here ▼

Cut here

N10/1

N10/1

N10/1

f5

N10/1

