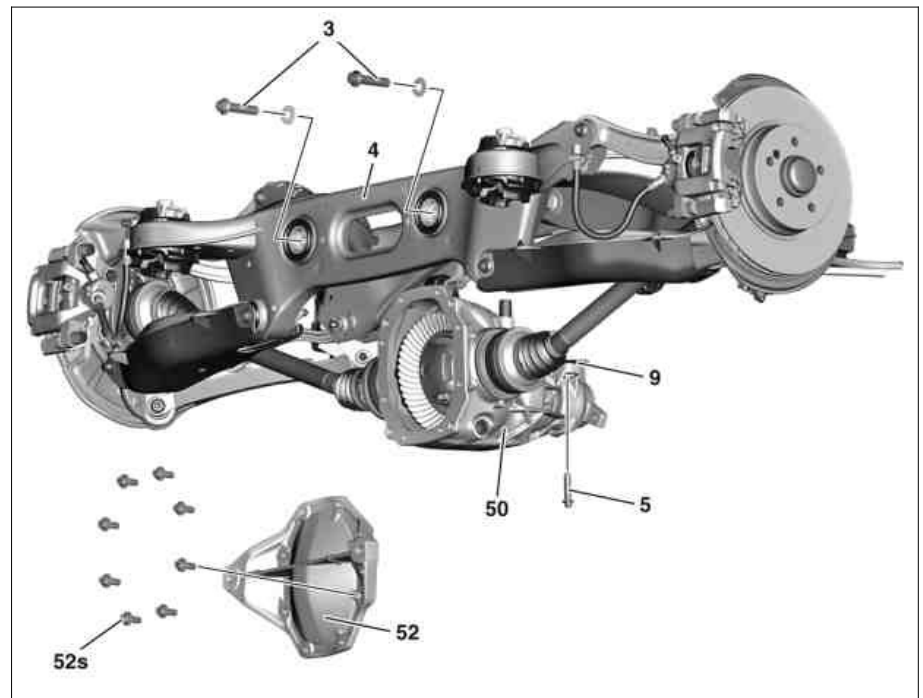


Model 204
except code 700 (Technology Local Content China)


Model 207

3 Screw
4 Rear axle carrier
5 Screw
9 Positioning disk
50 Rear axle gear
52 End cover
52s Bolts



P35.31-2212-06

| | | | |
|---|---|---|---|
| | Notes on repair work on suspension components | | AH00.00-P-0100-01A |
| | Notes on self-locking nuts and bolts | | AH00.00-N-0001-01A |
| | Remove/install | | |
| 1 | Secure vehicle on vehicle lift | | AR00.60-P-0100CW |
| 2 | Drain oil from rear axle differential (50) | <p> Model 204 except code 700 (Technology Local Content China) except code P98 (Black Series) Model 207 Drain screw to rear axle differential Sealant, Omnifit 100H (50 g) Loctite 7063 cleaning spray (150 ml)</p> | <p>AR35.31-P-0520-06SX *BA35.31-P-1003-02H *BR00.45-Z-1061-01A *BR00.45-Z-1046-04A</p> |
| 3 | Remove left and right rear diagonal strut | <p>Model 207.4</p> <p> Bolt, rear diagonal strut to spare wheel well</p> <p> Bolt, rear diagonal strut to longitudinal member</p> <p> Nut/bolt, rear diagonal strut to bracket</p> | <p>*BA61.10-P-1007-01H *BA61.10-P-1008-01H *BA61.10-P-1009-01H</p> |
| 4 | Remove exhaust system from flange connection back | <p>Model 204 with engine 156, 271, 272, 274, 276 except code 700 (Technology Local Content China) Model 207 with engine 271, 272, 273, 276, 278 Model 204 with engine 642, 646, 651 except code 700 (Technology Local Content China) Model 207 with engine 642, 651</p> | <p>AR49.10-P-7100CW AR49.10-P-7100CWI</p> |
| 5 | Remove bolts from heat sink and remove heat sink from rear axle differential (50) | <p>Model 204 with engine 156 except code 700 (Technology Local Content China)</p> <p> Model 204 with engine 156 except code 700 (Technology Local Content China) except code P98 (Black Series) Bolt, heat sink to end cover</p> | <p>*BA35.31-P-1004-02H</p> |

| | | | |
|--|---|--|---|
| 6 | Detach drive shaft from rear axle differential (50) | | AR41.10-P-0050CW |
| 7 | Lash down rear axle differential (50) on rear axle carrier (4) using tensioning strap | ⚠ Always strap down the rear axle differential mounting before removing the bolts! Otherwise, the front rear axle differential mounting may break. | |
| 8 | Remove struts | Model 204.9 except code 700 (Technology Local Content China) Nm Nut, strut to body Nm Bolt, strut to rear elastomer bearing of rear axle carrier | AR35.10-P-0042-01CW G *BA35.10-P-1007-01N *BA35.10-P-1008-01N |
| 9 | Pry grommets out of spare wheel well | | |
| 10 | Remove bolts (3) from rear of rear axle differential mounting | Nm Bolt, rear axle differential to rear transverse bridge | *BA35.10-P-1006-01N |
| 11 | Support rear axle differential (50) with telescopic lifter and transmission plate | | |
| 12 | Detach tensioning strap from rear axle differential (50) on rear axle carrier (4) | | |
| 13 | Lash rear axle differential (50) using tensioning strap to transmission plate | | |
| 14 | Remove bolt (5) from front rear axle differential mounting | Nm Rear axle differential to front adapter | *BA35.10-P-1005-01N |
| 15 | Lower rear axle differential (50) | | |
| 16 | Remove bolts (52s) and remove end cover (52). | ⚠ Carefully detach end cover (52) using screwdriver or assembly lever. The sealing surfaces can get damaged otherwise. Nm Model 204 except code 700 (Technology Local Content China) except code P98 (Black Series) Model 207 Bolt, end cover to rear axle differential | *BA35.31-P-1001-02H |
| 17 | Clean sealing surfaces on rear axle differential (50) and end cover (52) | Assembly cleaner | *BR00.45-Z-1028-04A |
| 18 | Coat sealing compound on the sealing surface on the end cover (52) | Sealant, Loctite 5970, 50 ml ☑ Application gun | *BR00.45-Z-1013-01A *112589002500 |
| 19 | Install in the reverse order | | |
|  | Check | | |
| 20 | Check oil level in rear axle differential (50) and correct if necessary | Model 204 (except 204.377) except code 700 (Technology Local Content China) except code P98 (Black Series) Model 207 🔧 Model 204 (except 204.077/277/377) except code 700 (Technology Local Content China) Model 204.077/277 except code 700 (Technology Local Content China) Model 204.377 except code 700 (Technology Local Content China) except code B25 (AMG Track Package) except code P98 (Black Series) Model 207 Filling capacity Nm Model 204 except code 700 (Technology Local Content China) except code P98 (Black Series) Model 207 Oil filler screw of rear axle differential Sealant, Omnifit 100H (50 g) Loctite 7063 cleaning spray (150 ml) | AR35.31-P-0520-03SX *BF35.31-P-1001-01T *BA35.31-P-1002-02H *BR00.45-Z-1061-01A *BR00.45-Z-1046-04A |
| 21 | Check rear axle differential (50) for leak tightness | | |

 Rear axle carrier

| Number | Designation | | Model 204 | Model 207 |
|--------------------|---|----|-----------|-----------|
| BA35.10-P-1005-01N | Rear axle differential to front adapter | Nm | 65 | 65 |

Nm Rear axle carrier

| Number | Designation | | Model 204 | Model 207 |
|--------------------|--|----|-----------|-----------|
| BA35.10-P-1006-01N | Bolt, rear axle differential to rear transverse bridge | Nm | 170 | 170 |

Nm Rear axle carrier

| Number | Designation | | Model 204 |
|--------------------|--------------------|----|-----------|
| BA35.10-P-1007-01N | Nut, strut to body | Nm | 25 |

Nm Rear axle carrier

| Number | Designation | | Model 204 |
|--------------------|--|----|-----------|
| BA35.10-P-1008-01N | Bolt, strut to rear elastomer bearing of rear axle carrier | Nm | 25 |

Nm Rear axle differential housing

| Number | Designation | | Model 204 except code 700 (Technology Local Content China) except code P98 (Black Series) | Model 207 | |
|--------------------|---|---------|--|-----------|----|
| BA35.31-P-1001-02H | Bolt, end cover to rear axle differential | Stage 1 | Nm | 30 | 30 |
| | | Stage 2 | ⊘° | 45 | 45 |

Nm Rear axle differential housing

| Number | Designation | | Model 204 except code 700 (Technology Local Content China) except code P98 (Black Series) | Model 207 |
|--------------------|--|----|--|-----------|
| BA35.31-P-1002-02H | Oil filler screw of rear axle differential | Nm | 50 | 50 |

Nm Rear axle differential housing

| Number | Designation | | Model 204 except code 700 (Technology Local Content China) except code P98 (Black Series) | Model 207 |
|--------------------|---------------------------------------|----|--|-----------|
| BA35.31-P-1003-02H | Drain screw to rear axle differential | Nm | 50 | 50 |

Nm Rear axle differential housing

| Number | Designation | | Model 204 except code 700 (Technology Local Content China) except code P98 (Black Series) |
|--------------------|------------------------------|----|--|
| BA35.31-P-1004-02H | Bolt, heat sink to end cover | Nm | 35 |

Nm Frame floor assembly

| Number | Designation | Model 207.4 |
|--------------------|---|-------------|
| BA61.10-P-1007-01H | Bolt, rear diagonal strut to spare wheel well | Nm 80 |

Nm Frame floor assembly

| Number | Designation | Model 207.4 |
|--------------------|--|-------------|
| BA61.10-P-1008-01H | Bolt, rear diagonal strut to longitudinal member | Nm 80 |

Nm Frame floor assembly

| Number | Designation | Model 207.4 |
|--------------------|--|-------------|
| BA61.10-P-1009-01H | Nut/bolt, rear diagonal strut to bracket | Nm 17 |

Rear axle gear

| Number | Designation | Model 204 (except 204.077/277/377) except code 700 (Technology Local Content China) | MODEL 204.077/277, MODEL 204.377 except CODE B25/P98 |
|---|--------------------|---|--|
| BF35.31-P-1001-01T | Filling capacity | Rear axle differential 183 FE, Ø 183 mm | - |
| | | Liter | - |
| | | Sheet | - |
| | | Rear axle differential 187 FE, Ø 187 mm | 0,95 |
| | | Liter | - |
| | | Sheet | BB00.40-P-0235-07A |
| | | Rear axle differential 200 FE, Ø 200 mm | 1,1 |
| Liter | - | | |
| Sheet | BB00.40-P-0235-07A | | |
| Rear axle differential 215 FE, Ø 215 mm | 1,2 | | |
| Liter | 1,2 | | |
| Sheet | BB00.40-P-0235-07A | | |
| | | | BB00.40-P-0235-61 A |

Rear axle gear

| Number | Designation | Model 207 |
|---|------------------|---|
| BF35.31-P-1001-01T | Filling capacity | Rear axle differential 183 FE, Ø 183 mm |
| | | Liter |
| | | Sheet |
| | | Rear axle differential 187 FE, Ø 187 mm |
| | | Liter |
| | | Sheet |
| | | Rear axle differential 200 FE, Ø 200 mm |
| Liter | | |
| Sheet | | |
| Rear axle differential 215 FE, Ø 215 mm | | |
| Liter | | |
| Sheet | | |



112 589 00 25 00

Application gun

Repair materials

| Number | Designation | Order number |
|--------------------|--------------------------------------|--|
| BR00.45-Z-1013-01A | Sealant, Loctite 5970, 50 ml | A 003 989 98 20 10 |
| BR00.45-Z-1028-04A | Assembly cleaner | Adolf Würth GmbH & Co. KG Reinhold-Würth-Str. 12-17 74653 Künzelsau-Gaisbach Germany Tel. +49 7940 15-0 Fax +49 7940 15-1000 http://www.wuerth.de |
| BR00.45-Z-1046-04A | Loctite 7063 cleaning spray (150 ml) | A 001 986 71 71 10 |
| BR00.45-Z-1061-01A | Sealant, Omnifit 100H (50 g) | A 002 989 23 71 |