

2022 C-Class Coupe Order Guide



Table of Contents

1	General Information
2	What's New
3	Models
4	Equipment
4.1	Standard Equipment
4.2	Exterior Paint Colors
4.3	Wheels
4.4	Interior Upholstery
4.6	Interior Trims
4.7	Packages
4.8	Options
4.9	Specifications
5	Options In Detail
6	Gallery

General Information

Important Note

The information presented in this guide is based on the most current information available and is intended for internal use only. Mercedes-Benz reserves the right to make changes at any time, without notice, to colors, materials, equipment, special specifications and models.

Pricing may not yet be finalized for some models or options.

Due to variances among monitors and printers the colors that appear on your screen and printouts may not be exact.

For illustrative purposes, some images may show vehicles with European Specification.

Revision History

Date	Description
05/25/2021	Initial publication.

What's New

All Models

Models

- **C63 (non-S) no longer offered**

Standard Equipment

- **Adaptive Highbeam Assist (608)**

Paint

- **Starling Blue (970) replaces Brilliant Blue (896)**
- **"MANUFAKTUR" nomenclature replaces "designo" on applicable paints**
- **Cirrus Silver (922) replaces Iridium Silver (775)**

Upholstery

- **Magma Grey/Black Leather (228) no longer available**

Options

- **AMG Carbon Ceramic Braking System (B07) no longer available**
- **LED Intelligent Light System (640) now a stand-alone option**
- **DA4 Exterior Lighting Package is no longer available**
- **SD-Card Navigation Pre-wiring (355) no longer available**

Models



C43C4 (205.364)

- MSRP: TBD
- Transmission: AMG SPEEDSHIFT TCT 9-Speed
- Transmission Speeds: 9
- Acceleration 0-60 mph (sec): 4.5
- Engine Configuration: AMG-enhanced 3.0L V6 biturbo engine
- Power (hp): 385 @ 6,100
- Torque (lb-ft): 384 @ 2,500-5,000
- Launch Date: Q4 2021



C63CS (205.387)

- MSRP: TBD
- Transmission: AMG SPEEDSHIFT MCT 9-Speed
- Transmission Speeds: 9
- Acceleration 0-60 mph (sec): 3.7
- Engine Configuration: Handcrafted AMG 4.0L V8 biturbo engine
- Power (hp): 503 @ 5,500-6,250
- Torque (lb-ft): 516 @ 2,000-4,500
- Launch Date: Q4 2021

Standard Equipment

C43C4



Performance & Handling

- **AMG SPEEDSHIFT® TCT 9-speed transmission**
- **AMG DYNAMIC SELECT**
- **18" Wheels**
- **AMG RIDE CONTROL sport suspension with adaptive 3-stage damping**
- **AMG Performance 4MATIC**

Comfort & Convenience

- **KEYLESS START**
- **Two USB Ports**
- **HD Radio**
- **Burmester® Surround Sound System**
- **4-way Lumbar Support**
- **Power-Folding Mirrors**
- **10.25" Media Display w/ central controller**
- **64-Color Ambient Lighting & AMG Illuminated Door Sills**
- **Dual-zone Automatic Climate Control**
- **Intermittent Wipers with Rain Sensor**
- **Panorama Sunroof**
- **Adaptive Highbeam Assist**
- **Front and Rear Cupholders**
- **HANDS-FREE ACCESS**
- **KEYLESS-GO**
- **Bluetooth® Technology (for Handsfree Phone Use/Audio Streaming)**
- **SiriusXM Satellite Radio**
- **Power and Heated Front Seats with Memory**
- **Power Tilt & Telescoping Steering Column**
- **Electronic Cruise Control**
- **12.3" Digital Instrument Cluster**
- **AMG Performance Steering Wheel**
- **Garage Door Opener**
- **Automatic Seatbelt Extender**
- **LED Headlamps and taillights**
- **Auto-Dimming Driver & Rearview Mirror**
- **Split-Folding Rear Seats (40/20/40)**
- **Electronic Trunk Closer**

Safety & Security

- **New Vehicle 4 Year/50,000 Mile Warranty**
- **3-point Seat Belt with Pretensioners & Dual-Stage Belt Force Limiter**
- **Front and Rear Side Window Airbags**
- **Driver & Passenger Kneebags**
- **ISOFIX Anchor and Tether System**
- **Active Brake Assist**
- **Smart Key with Panic Button**
- **Anti-theft Alarm System**
- **24h Roadside Assistance Program**
- **Front Dual-Stage Airbags**
- **Front Side Airbags**
- **Blind Spot Assist**
- **ATTENTION ASSIST Driver Drowsiness Monitor**
- **PRE-SAFE**
- **Tire Pressure Monitoring System**
- **Rearview Camera**

Performance & Handling

- **AMG SPEEDSHIFT® MCT 9-speed transmission**
- **AMG DYNAMIC SELECT**
- **Dynamic Engine Mounts**
- **AMG Performance Exhaust System**
- **AMG RIDE CONTROL sport suspension with adaptive 3-stage damping**
- **AMG Electronic limited-slip differential**
- **19" Wheels**

Comfort & Convenience

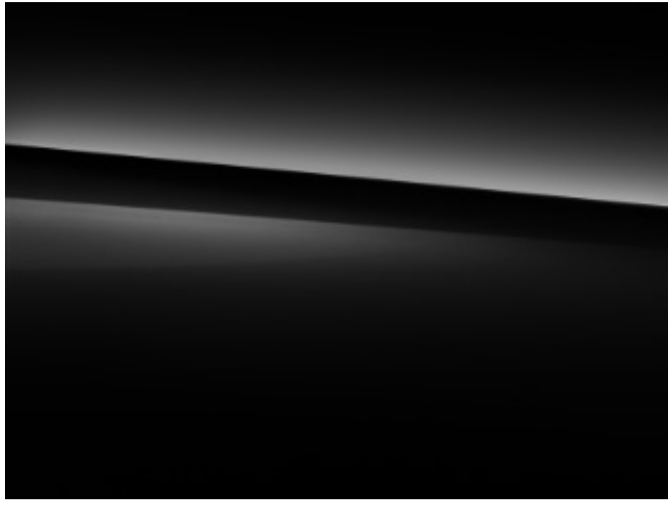
- **KEYLESS START**
- **Two USB Ports**
- **HD Radio**
- **Burmester® Surround Sound System**
- **4-way Lumbar Support**
- **Power-Folding Mirrors**
- **10.25" Media Display w/ central controller**
- **64-Color Ambient Lighting & AMG Illuminated Door Sills**
- **AMG DRIVE UNIT**
- **Garage Door Opener**
- **Automatic Seatbelt Extender**
- **LED Headlamps and taillights**
- **Auto-Dimming Driver & Rearview Mirror**
- **Split-Folding Rear Seats (40/20/40)**
- **Electronic Trunk Closer**
- **KEYLESS-GO**
- **Bluetooth® Technology (for Handsfree Phone Use/Audio Streaming)**
- **SiriusXM Satellite Radio**
- **Power and Heated Front Seats with Memory**
- **Power Tilt & Telescoping Steering Column**
- **Electronic Cruise Control**
- **12.3" Digital Instrument Cluster**
- **AMG Performance Steering Wheel**
- **Dual-zone Automatic Climate Control**
- **Intermittent Wipers with Rain Sensor**
- **Panorama Sunroof**
- **Adaptive Highbeam Assist**
- **Front and Rear Cupholders**
- **HANDS-FREE ACCESS**

Safety & Security

- **New Vehicle 4 Year/50,000 Mile Warranty**
- **3-point Seat Belt with Pretensioners & Dual-Stage Belt Force Limiter**
- **Front and Rear Side Window Airbags**
- **Driver & Passenger Kneebags**
- **ISOFIX Anchor and Tether System**
- **Active Brake Assist**
- **Smart Key with Panic Button**
- **Anti-theft Alarm System**
- **24h Roadside Assistance Program**
- **Front Dual-Stage Airbags**
- **Front Side Airbags**
- **Blind Spot Assist**
- **ATTENTION ASSIST Driver Drowsiness Monitor**
- **PRE-SAFE**
- **Tire Pressure Monitoring System**
- **Rearview Camera**

Paint

Non-Metallic Paints

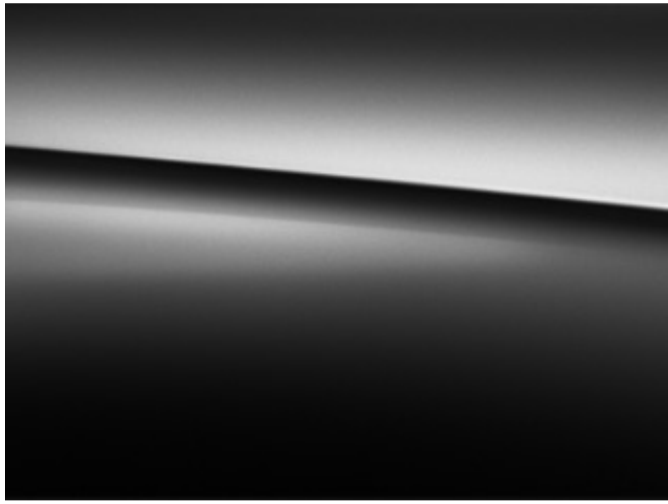


040 - Black

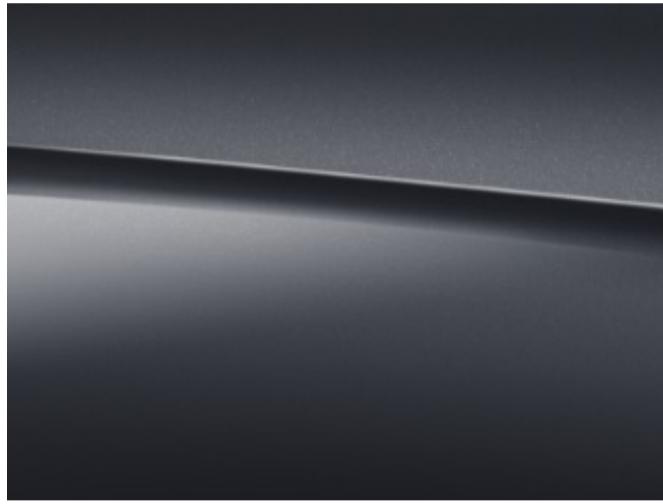


149 - Polar White

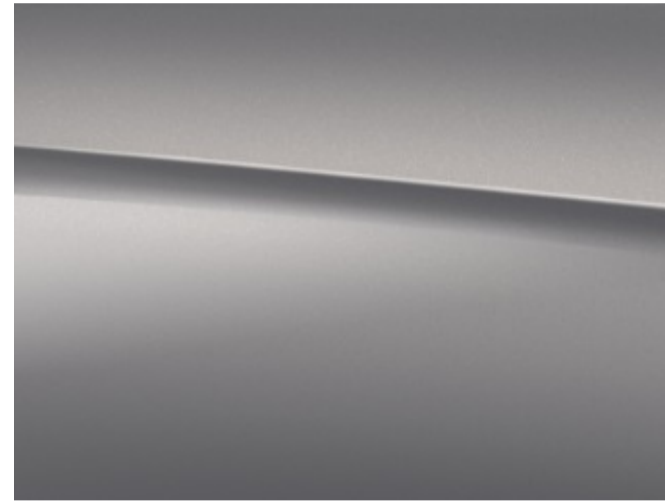
Metallic Paints



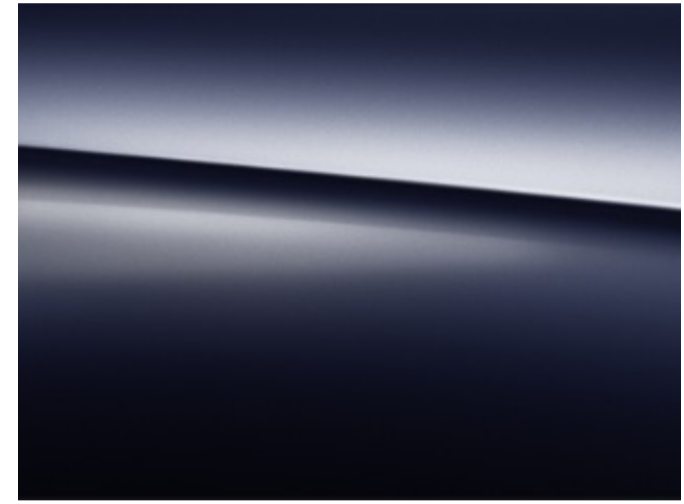
197 - Obsidian Black



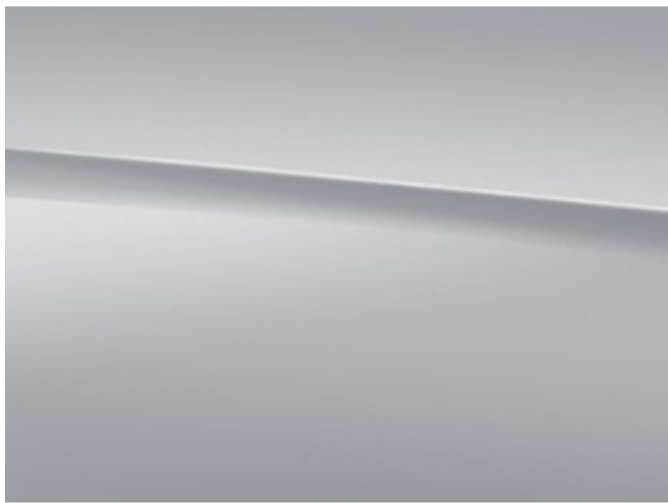
831 - Graphite Grey



859 - Mojave Silver



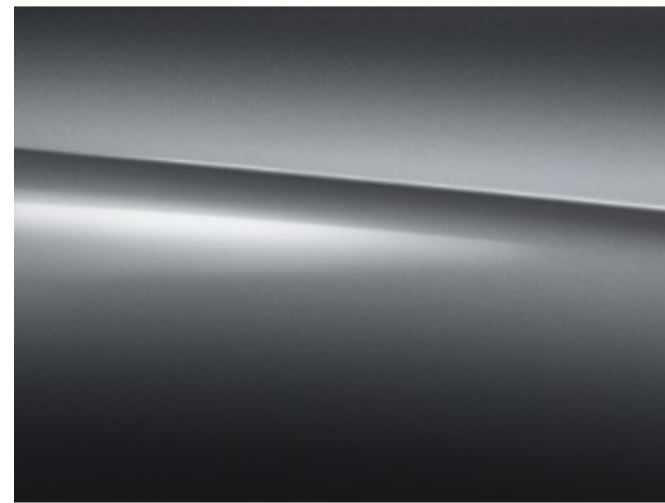
890 - Lunar Blue



922 - Cirrus Silver

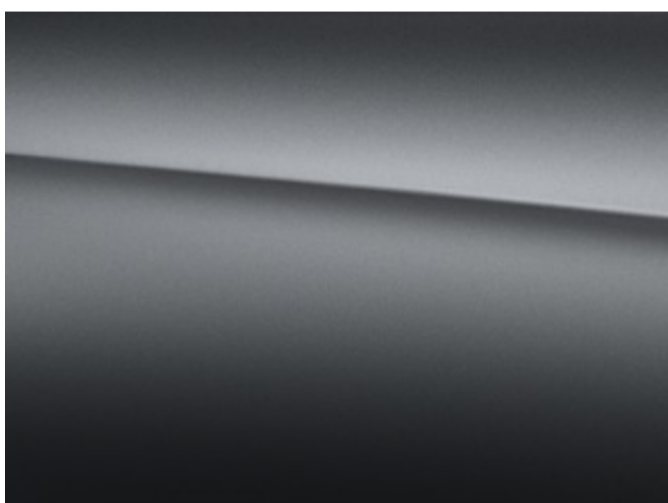


970 - Starling Blue



992 - Selenite Grey

MANUFAKTUR Paints



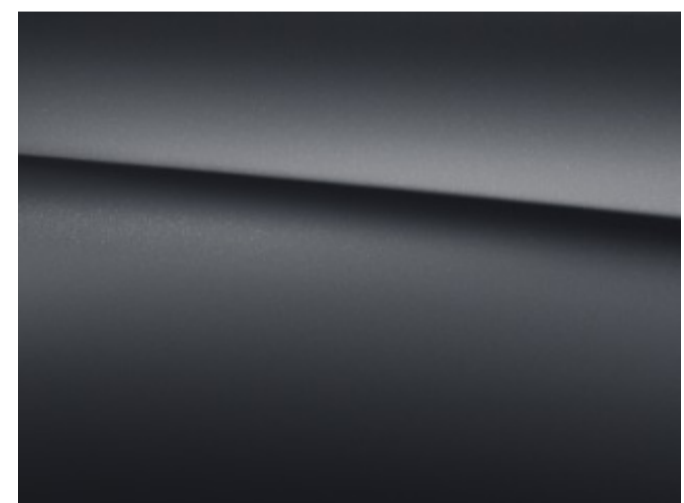
297 - Selenite Grey Magno



799 - Diamond White Metallic



996 - Cardinal Red Metallic



818 - Graphite Grey Magno

<i>Code</i>	<i>Description</i>	<i>Availability</i>	<i>Price</i>
040	Black	C43C4	\$0
149	Polar White	All Models	\$0
197	Obsidian Black	All Models	\$720
831	Graphite Grey	C43C4	\$720
859	Mojave Silver	C43C4	\$720
890	Lunar Blue	C43C4	\$720
922	Cirrus Silver	All Models	\$720
970	Starling Blue	All Models	\$720
992	Selenite Grey	All Models	\$720
297	Selenite Grey Magno	All Models	\$2,020
799	Diamond White Metallic	All Models	\$1,515
996	Cardinal Red Metallic	C43C4	\$1,080
818	Graphite Grey Magno	C63CS	\$2,020

Wheels



RSJ - 18" AMG 5-Spoke Wheel

18"
R02, R66

AMG 5-Spoke Wheel

225/45 R18 on 7.5 J x 18 ET44 (Front) 245/40 R18 on 8.5 J x 18 ET49 (Rear)



605 - 19" AMG Multispoke

19"
R01, R66

AMG Multispoke

225/40 R 19 on 7.5 J x 19 H ET36 (Front)
255/35 R 19 on 8.5 J x 19 H ET52 (Rear)



RVD - 19" AMG Multispoke Black

Must have DC2 pkg.
19"
R01, R66

AMG Multispoke, Black

225/40 R 19 on 7.5 J x 19 H ET33 (Front)
255/35 R 19 on 8.5 J x 19 H ET52 (Rear)



RSU - 19" AMG Twin 5-Spoke

19"
R01, R66

AMG Twin 5-Spoke

225/40 R 19 on 7.5 J x 19 H ET33 (Front)
255/35 R 19 on 8.5 J x 19 H ET52 (Rear)



RSV - 19" AMG Twin 5-Spoke w/Black Accents

19"
R01, R66

AMG Twin 5-Spoke w/Black Accents

225/40 R 19 on 7.5 J x 19 H ET33 (Front)
255/35 R 19 on 8.5 J x 19 H ET52 (Rear)



RSW - 19" AMG Twin 5-Spoke

Brake calipers will be red, unless B07 is selected

19"
R01, B51

AMG Twin 5-Spoke

255/35 R 19 on 9.0 J x 19 ET25 (Front)
285/30 R 19 on 10.5 J x 19 ET 57 (Rear)



766 - 19"/20" AMG Forged Cross-Spoke

Brake calipers will be red, unless B07 is selected

19"/20"
R01, B51

AMG Forged Cross-Spoke

255/35 R 19 on 9.0 J x 19 ET25 (Front)
285/30 R 20 on 10.5 J x 20 ET 57 (Rear)



767 - 19"/20" AMG Forged Cross-Spoke, Black

Brake calipers will be red, unless B07 is selected

19"/20"
R01, B51

AMG Forged Cross-Spoke, Black

255/35 R 19 on 9.0 J x 19 ET25 (Front)
285/30 R 20 on 10.5 J x 20 ET 57 (Rear)



RXC - 19"/20" AMG Forged Twin 5-Spoke, Black

Brake calipers will be red, unless B07 is selected

19"/20"
R01, B51

AMG Forged Twin 5-Spoke, Black

255/35 R 19 on 9.0 J x 19 ET25 (Front)
285/30 R 20 on 10.5 J x 20 ET 57 (Rear)

Code	Wheel Size	Description	Wheel Dimensions	Mobility Availability	MSRP
RSJ	18"	AMG 5-Spoke Wheel	225/45 R18 on 7.5 J x 18 ET44 (Front) 245/40 R18 on 8.5 J x 18 ET49 (Rear)	R02, R66	C43C4 \$0
605	19"	AMG Multispoke	225/40 R 19 on 7.5 J x 19 H ET36 (Front) 255/35 R 19 on 8.5 J x 19 H ET52 (Rear)	R01, R66	C43C4 \$850
RVD	19"	AMG Multispoke, Black Must have DC2 pkg.	225/40 R 19 on 7.5 J x 19 H ET33 (Front) 255/35 R 19 on 8.5 J x 19 H ET52 (Rear)	R01, R66	C43C4 TBD
RSU	19"	AMG Twin 5-Spoke	225/40 R 19 on 7.5 J x 19 H ET33 (Front) 255/35 R 19 on 8.5 J x 19 H ET52 (Rear)	R01, R66	C43C4 \$850
RSV	19"	AMG Twin 5-Spoke w/Black Accents	225/40 R 19 on 7.5 J x 19 H ET33 (Front) 255/35 R 19 on 8.5 J x 19 H ET52 (Rear)	R01, R66	C43C4 \$850
RSW	19"	AMG Twin 5-Spoke Brake calipers will be red, unless B07 is selected	255/35 R 19 on 9.0 J x 19 ET25 (Front) 285/30 R 19 on 10.5 J x 19 ET 57 (Rear)	R01, B51	C63CS \$0
766	19"/20"	AMG Forged Cross-Spoke Brake calipers will be red, unless B07 is selected	255/35 R 19 on 9.0 J x 19 ET25 (Front) 285/30 R 20 on 10.5 J x 20 ET 57 (Rear)	R01, B51	C63CS \$1,600
767	19"/20"	AMG Forged Cross-Spoke, Black Brake calipers will be red, unless B07 is selected	255/35 R 19 on 9.0 J x 19 ET25 (Front) 285/30 R 20 on 10.5 J x 20 ET 57 (Rear)	R01, B51	C63CS \$2,100
RXC	19"/20"	AMG Forged Twin 5-Spoke, Black Brake calipers will be red, unless B07 is selected	255/35 R 19 on 9.0 J x 19 ET25 (Front) 285/30 R 20 on 10.5 J x 20 ET 57 (Rear)	R01, B51	C63CS \$2,100

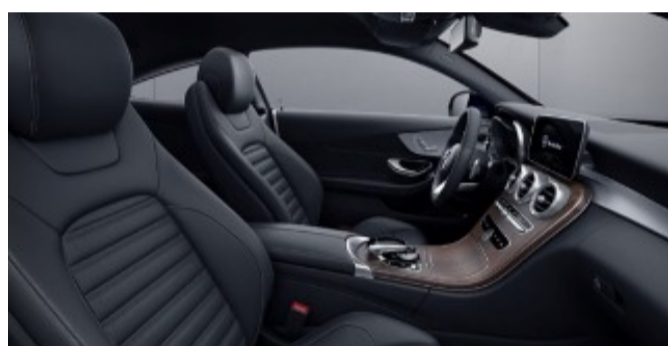
Upholstery

MB Tex



**641 - Black MB-Tex/DINAMICA w/
Red Topstitching**

Leather



201 - Black



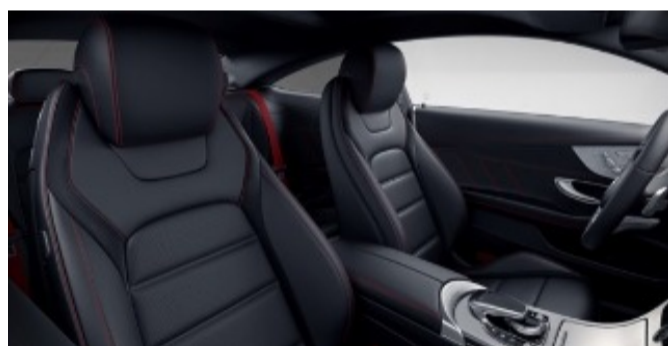
224 - Saddle Brown



225 - Porcelain



227 - Cranberry Red



241 - Black w/ Red Topstitching

Nappa Leather



801 - Black



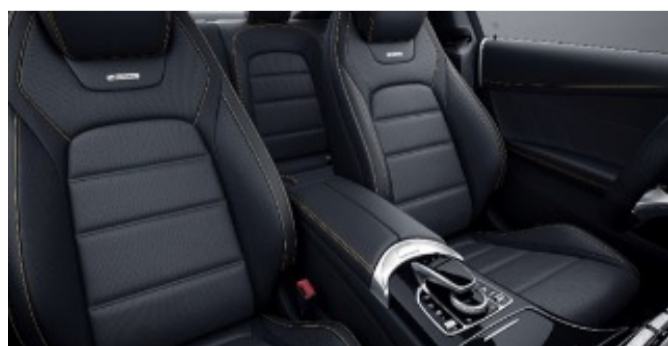
811 - Black w/ Grey Accents



851 - Platinum White/Black



857 - Red Pepper/ Black

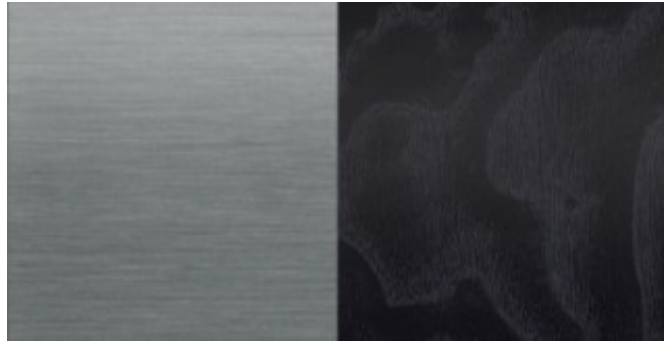


**858 - Magma Grey/Black w/ Yellow
Stitching**

<i>Code</i>	<i>Description</i>	<i>Availability</i>	<i>Price</i>
641	Black MB-Tex/DINAMICA w/ Red Topstitching	C43C4	\$0
201	Black	C43C4	\$1,620
224	Saddle Brown	C43C4	\$1,620
225	Porcelain	C43C4	\$1,620
227	Cranberry Red	C43C4	\$1,620
241	Black w/ Red Topstitching	C43C4	\$1,620
801	Black	C63CS	\$0
811	Black w/ Grey Accents	C63CS	\$0
851	Platinum White/Black	C63CS	\$0
857	Red Pepper/ Black	C63CS	\$0
858	Magma Grey/Black w/ Yellow Stitching	C63CS	\$0

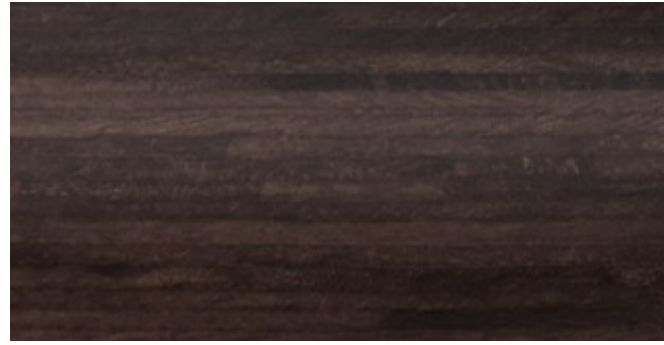
<i>Code</i>	<i>Upholstery</i>	<i>Seats</i>	<i>Floor Mats</i>	<i>Upper Dash/Lower Dash</i>	<i>Seat Belts</i>	<i>Steering Wheel</i>	<i>Headliner</i>
641	Black MB-Tex/DINAMICA w/ Red Topstitching	Black	Black	Black/Black	Red	Black	Black
201	Black	Black	Black	Black/Black	Black	Black	Black
224	Saddle Brown	Black	Black	Black/Black	Black	Black	Black
225	Porcelain	Black	Black	Black/Black	Black	Black	Black
227	Cranberry Red	Black	Black	Black/Black	Black	Black	Black
241	Black w/ Red Topstitching	Black	Black	Black/Black	Red	Black	Black
801	Black	Black	Black	Black/Black	Black	Black	Black
811	Black w/ Grey Accents	Black/Grey	Black	Black/Black	Silver	Black	Black
851	Platinum White/Black	Black/ Platinum White	Black	Black/Black	Silver	Black	Black
857	Red Pepper/ Black	Black/ Red Pepper	Black	Black/Black	Black	Black	Black
858	Magma Grey/Black w/ Yellow Stitching	Magma Grey	Black	Black/Black	Black	Black	Black

Trims



737+739 - Natural Grain Black Ash Wood

(door trim in Aluminum)

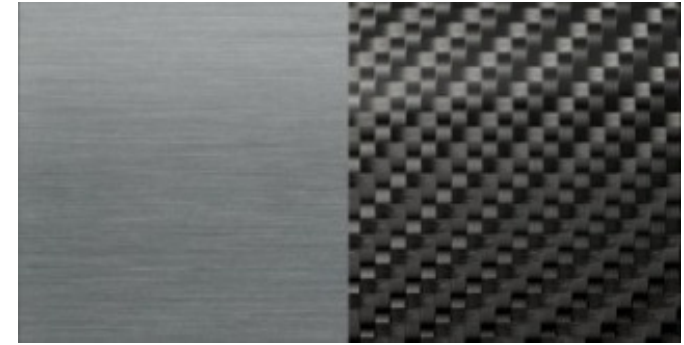


H33 - Natural Grain Walnut Wood

(door trim in Aluminum)

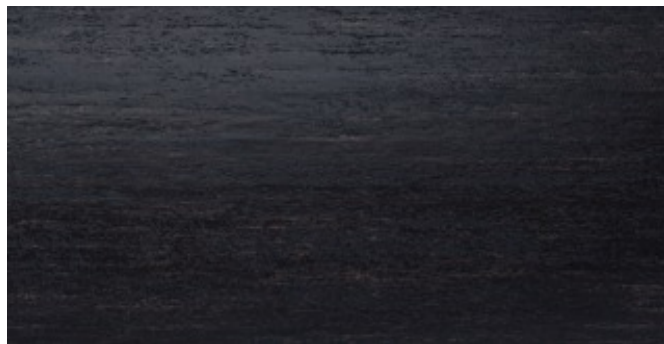


H07 - Dark Brown Linden Wood



H73 - AMG Carbon Fiber

(door trim in Aluminum)



H31 - Natural Grain Grey Oak

<i>Code</i>	<i>Description</i>	<i>Availability</i>	<i>Price</i>
737+739	Natural Grain Black Ash Wood (door trim in Aluminum)	All Models	\$0
H33	Natural Grain Walnut Wood (door trim in Aluminum)	All Models	\$0
H07	Dark Brown Linden Wood	All Models	\$0
H73	AMG Carbon Fiber (door trim in Aluminum)	All Models	\$975
H31	Natural Grain Grey Oak	All Models	\$0

Packages

<i>Code</i>	<i>Packages</i>	<i>Availability</i>	<i>MSRP</i>
DA2	<p>Driver Assistance Package</p> <p>Requires Multimedia Package (DA5)</p> <ul style="list-style-type: none"> ▪ Active Speed Limit Assist ▪ Route-Based Speed Adaptation ▪ Active Blind Spot Assist ▪ Active Distance Assist DISTRONIC® ▪ Active Brake Assist w/ Cross-Traffic Function ▪ Active Lane Change Assist ▪ Active Lane Keeping Assist ▪ Active Emergency Stop Assist ▪ Evasive Steering Assist ▪ Active Steering Assist 	All Models	\$1,700
DA3	<p>Parking Assistance Package</p> <ul style="list-style-type: none"> ▪ Active Parking Assist ▪ Rear Cross-Traffic Alert ▪ Surround View System 	All Models	\$1,100
DA5	<p>Multimedia Package</p> <ul style="list-style-type: none"> ▪ COMAND® Navigation ▪ Touchpad ▪ Map updates 	All Models	\$1,250
DC1	<p>AMG Night Package</p> <ul style="list-style-type: none"> ▪ C43: High-gloss black elements including front splitter trim strip, front louver inserts, exterior mirror housings, window trim, and side sill inserts; black chrome-plated exhaust pipes ▪ C63 S: High gloss black elements including A-Wing, exterior mirror housings, window trim, rear apron trim strip, and side sill inserts; black chrome-plated exhaust pipes. 	All Models	\$750
DC2	<p>AMG Performance Studio Package</p> <ul style="list-style-type: none"> ▪ AMG Night Package components ▪ 19" AMG Multispoke Wheels in matte black with high-sheen rim flange ▪ AMG Optics Package including high gloss front splitter, side skirts, spoiler lip, and rear apron flics 	C43C4	\$3,600
DC4	<p>AMG Exterior Carbon Fiber Package</p> <ul style="list-style-type: none"> ▪ Carbon fiber elements: Exterior Mirror Covers and Trunk Lid Spoiler 	C63CS	\$1,750
DE7	<p>AMG Exterior Carbon Fiber Package II</p> <ul style="list-style-type: none"> ▪ Carbon fiber elements: A-Wing, side sill inserts, and rear apron insert 	C63CS	\$2,950

Options

Factory Options

<i>Code</i>	<i>Options</i>	<i>Availability</i>	<i>MSRP</i>
256	AMG Track Pace Requires Multimedia Package (DA5)	All Models	\$250 (C43C4) \$0 (C63CS)
298	Rear Side Air Bags	All Models	\$700
401	Ventilated Front Seats Requires leather upholstery	All Models	\$450
463	Head-Up Display with AMG-specific content	All Models	\$1,100
555	AMG Performance Seats Only with 241 or 641 upholsteries	All Models	\$2,500
640	LED Intelligent Light System	All Models	
897	Inductive Wireless Charging & NFC Pairing	All Models	\$200
K33	Extended Restart in Stop & Go Traffic Requires both DA2 and DA3 packages	All Models	\$0
L6G	AMG Performance Steering Wheel in DINAMICA U88 AMG DRIVE UNIT required	All Models	\$600 (C43C4) \$100 (C63CS)
L6J	AMG Performance Steering Wheel in Nappa Standard on C43	All Models	\$0
L6K	AMG Performance Steering Wheel in Nappa/DINAMICA Standard on C63 S	All Models	\$500 (C43C4) \$0 (C63CS)
U17	Black Seatbelts Applies only to 641/241/851/811 upholsteries; all others come with Black seat belts as standard	All Models	\$0
U78	AMG Performance Exhaust System Std. on C63 S	C43C4	\$1,250
U88	AMG DRIVE UNIT Required with L6G steering wheel, but available on all steering wheels; std. on C63 S	C43C4	\$400
B07	AMG Ceramic Composite Braking System	C63CS	\$5,450
B26	AMG Aerodynamics Package	C63CS	\$1,750
L6H	AMG Performance Steering Wheel in DINAMICA/Carbon Fiber Trim Only with H73 or 737+739 trim	C63CS	\$400
R03	Extreme-Performance Sport Tires Only with 766, 767, and RXC wheels	C63CS	\$600

VPC Installed Options

<i>Code</i>	<i>Options</i>	<i>Availability</i>	<i>MSRP</i>
D03	Illuminated Star Not available with DA2 Driver Assistance Package	All Models	\$450
D07	Wheel Locking Bolts	All Models	\$150
D08	Chrome Door Handle Inserts (set of 2)	All Models	\$70 (C43C4) \$100 (C63CS)
D43	All-Season Floor Mats, Black Rubber 4-pack	All Models	\$160

Specifications

C43C4



Chassis

Drivetrain

Transmission	AMG SPEEDSHIFT TCT 9-Speed
Transmission Speeds	9
Drive Configuration	All-Wheel-Drive

Engine

Engine Configuration	AMG-enhanced 3.0L V6 biturbo engine
Power (hp)	385 @ 6,100
Torque (lb-ft)	384 @ 2,500-5,000
Fuel Requirement (Octane)	91
Compression	10.5 : 1
Fuel Tank Size (gallons)	17.4
Displacement (cc)	2,996
# Valves per Cylinder	4

Performance

Acceleration 0-60 mph (sec)	4.5
Top Speed (mph)	130 (lim.), 155 w/ R01 tires

Fuel Economy

Fuel Economy (Ctw/Hwy/Comb)	TBD
-----------------------------	-----

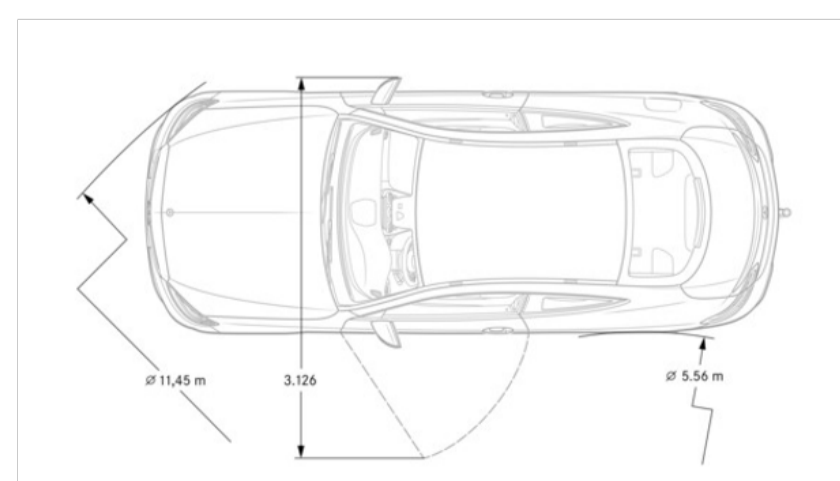
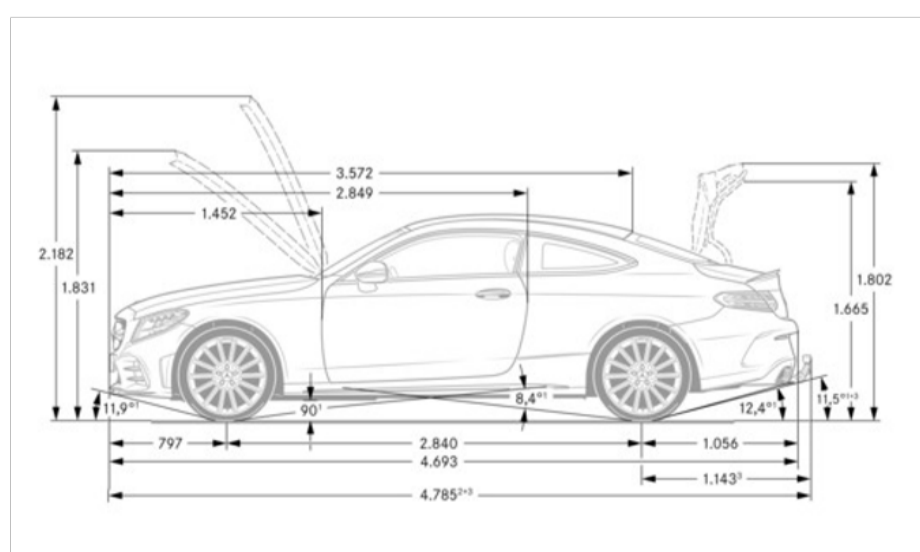
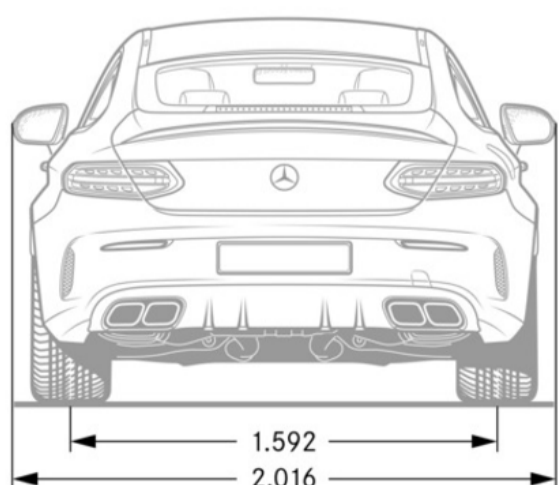
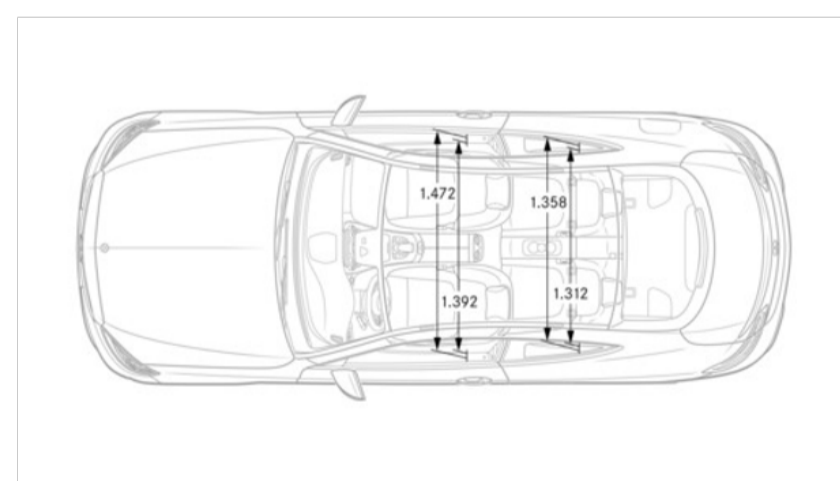
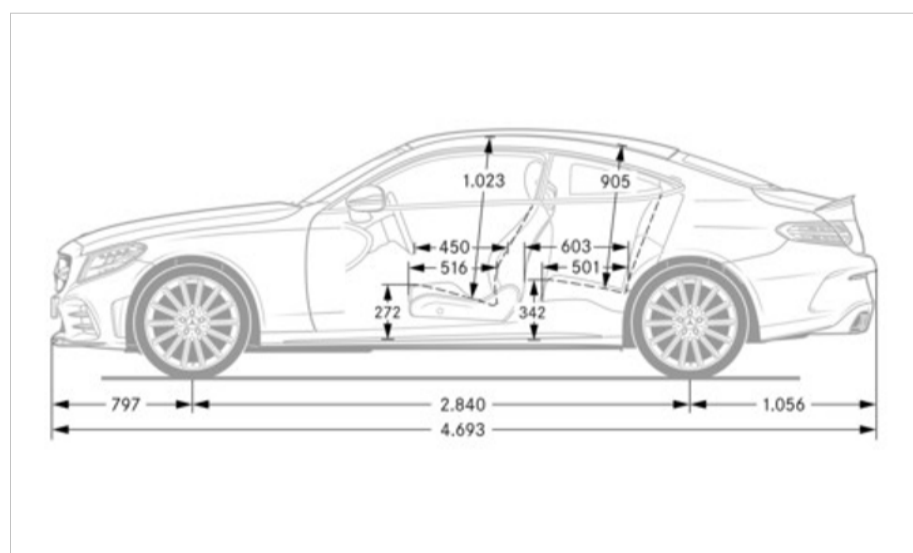
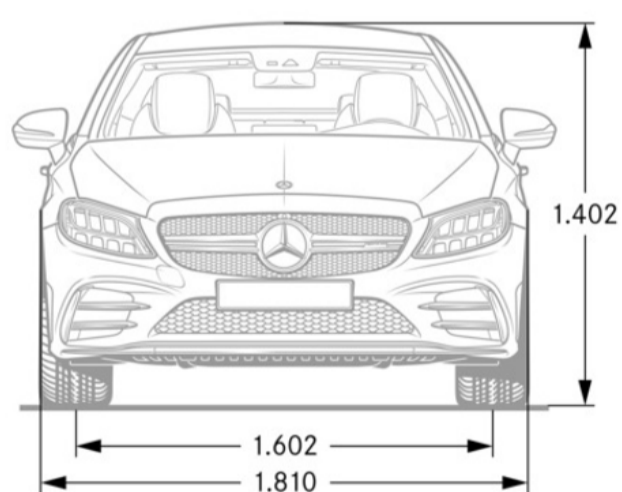
Exterior Dimensions

Vehicle Length (in.)	184.8
Vehicle Width w/ Exterior Mirrors (in.)	79.4
Vehicle Height (in.)	55.3
Wheelbase (in.)	111.8
Coefficient of Drag (Cd)	0.30
Track Width Front/Rear (in.)	63.1/61.3
Curb Weight (lbs.)	3,902

Wheels and Tires

Interior Dimensions

Trunk Size (cubic feet)	10.54
-------------------------	-------



Chassis

Drivetrain

Transmission	AMG SPEEDSHIFT MCT 9-Speed
Transmission Speeds	9
Drive Configuration	Rear-Wheel-Drive

Engine

Engine Configuration	Handcrafted AMG 4.0L V8 biturbo engine
Power (hp)	503 @ 5,500-6,250
Torque (lb-ft)	516 @ 2,000-4,500
Fuel Requirement (Octane)	91
Compression	10.5 : 1
Fuel Tank Size (gallons)	17.4
Displacement (cc)	3,982
# Valves per Cylinder	4

Performance

Acceleration 0-60 mph (sec)	3.7
Top Speed (mph)	180

Fuel Economy

Fuel Economy (Ctw/Hwy/Comb)	17 / 26 / 20
------------------------------------	--------------

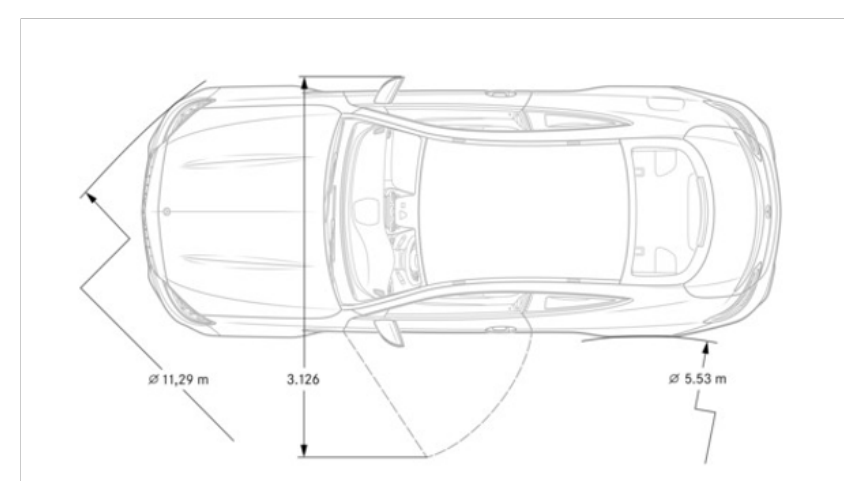
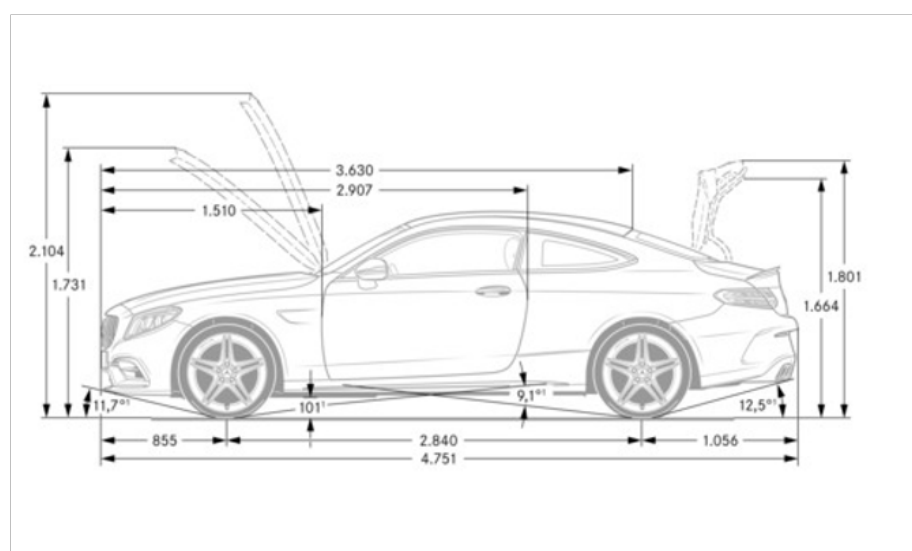
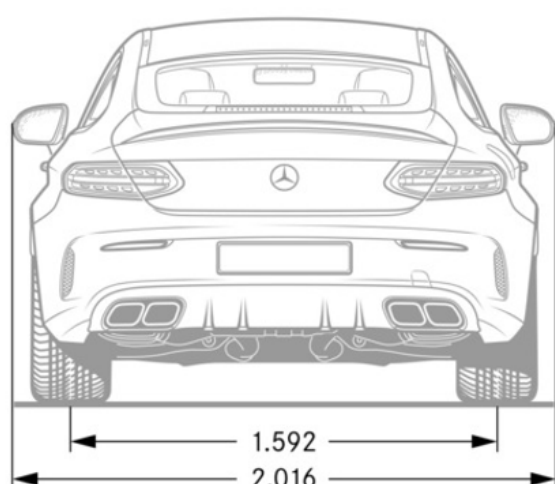
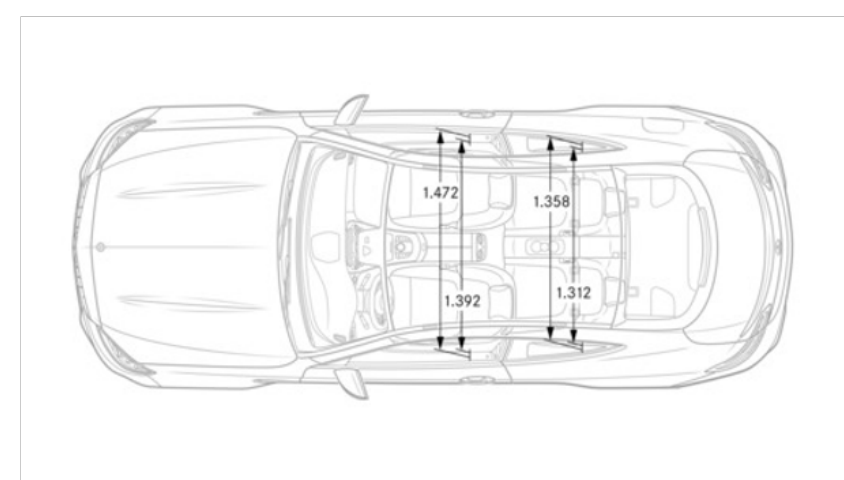
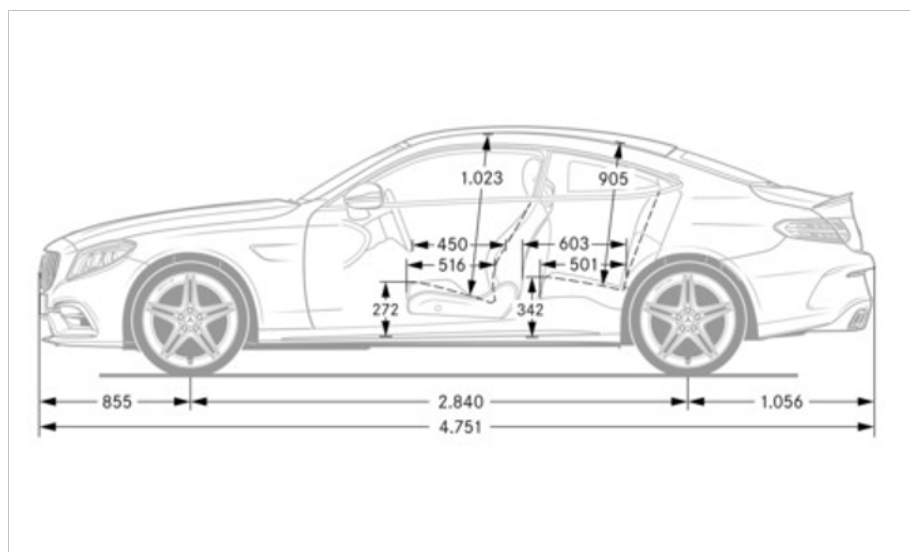
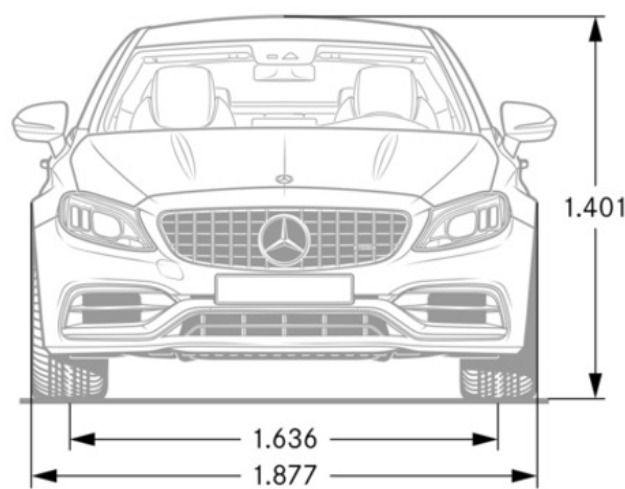
Exterior Dimensions

Vehicle Length (in.)	187.1
Vehicle Width w/ Exterior Mirrors (in.)	79.4
Vehicle Height (in.)	55.2
Wheelbase (in.)	111.8
Coefficient of Drag (Cd)	0.33
Track Width Front/Rear (in.)	64.4/62.7
Curb Weight (lbs.)	4,107

Wheels and Tires

Interior Dimensions

Trunk Size (cubic feet)	10.54
--------------------------------	-------



Options In Detail

Steering Wheels



AMG Performance Steering Wheel (L6J)

Standard on C 43
Option price on C63 S: \$0

The AMG Performance steering wheel in Nappa leather features AMG-specific shift paddles

- "AMG" badge underscores the sporty character.
- C43: Red stitching and red 12 o'clock marker in combination with upholsteries 641 or 241
- C63 S: Red stitching and red 12 o'clock marker in combination with upholstery 857



AMG Performance Steering Wheel in Nappa/DINAMICA inserts (L6K)

Standard on C 63 S
Option price for C 43: \$500

- Grip area is finished in DINAMICA
- C43: Red stitching and red 12 o'clock marker in combination with upholsteries 641 or 241
- C63 S: Stitching and 12 o'clock marker in black with 801, silver with 811/851, red with 857, or yellow with 858



AMG Performance Steering Wheel in DINAMICA (L6G)

Option price: \$600 (C43)/\$100 (C63 S)
U88 AMG DRIVE UNIT required

- Completely finished in black DINAMICA
- On C43, 12 o'clock marker and stitching are in red with upholsteries 641 or 241
- On C63 S, 12 o'clock marker and stitching are in black with 801, silver with 811/851, red with 857, or yellow with 858.



AMG Performance Steering Wheel in DINAMICA/Carbon Fiber Trim (L6H)

Not available on C43
Only with H73 or 737+739 trim
Option price: \$400 (C63 S)

- Only in combination with the following interior trims: 737, H73
- Stitching and 12 o'clock marker always in black



AMG DRIVE UNIT (U88)

Standard on C63 S
Optional on all steering wheels
Required on L6G wheels
Option price: \$400

- Left rocker switch can be freely assigned functions such as manual mode, adjustment of AMG RIDE CONTROL, activation/deactivation of ESP, enable/disable AMG Performance Exhaust System (optional)
- Right round control knob: selection of drive programs and display of current selected mode

Brakes



Sports Braking System

C43

4-piston front and single piston rear calipers

- Front axle: brake disks measuring 14.2 x 1.4 inch, internally ventilated and perforated, with 4-piston aluminum fixed caliper and black "AMG" lettering
- Rear axle: brake disks measuring 12.6 x 0.9 inch, internally ventilated, with 1-piston floating caliper with brake caliper-integrated electric parking brake
- Silver brake calipers



AMG High-Performance Composite Braking System (U70)

C63 S

6-piston front and single piston rear calipers

- Front axle: Compound brake disc measuring 15.4 x 1.4 inch, internally ventilated and perforated with 6-piston fixed caliper
- Rear axle: Brake discs measuring 14.2 x 1.0 inch, internally ventilated and perforated with 1-piston floating caliper
- Increased fade resistance and reduced thermal deformation of brake discs
- Red brake calipers

Gallery