



The new Mercedes-AMG C 63 Coupé

NN 4408 Attachment 2

MBUK Product Management, October 2015



Mercedes-Benz

Quick Reference

	Page
Overview	4
Engines & Driveline	7
Standard Specification	9
Model Line-Up	13
Packages	18
Optional Equipment	20
Pricing	29
Technical Data	31
Competitive Comparison	34

Summary

Production start March 2016 in Germany

Product offer based on Saloon & Estate

New standard: AMG performance exhaust system

Premium package available for £2,595

New optional wheels: 19"/20"

New paints: selenite grey & iridium silver magno

OTR pricing: from **£61,160**





Overview



Mercedes-Benz

The new Mercedes-AMG C 63 Coupé



V8 -BITURBO lettering on the front wings

AMG front apron with large air inlets and chrome strip

Flared wheel arches

AMG radiator grille with twin louvers

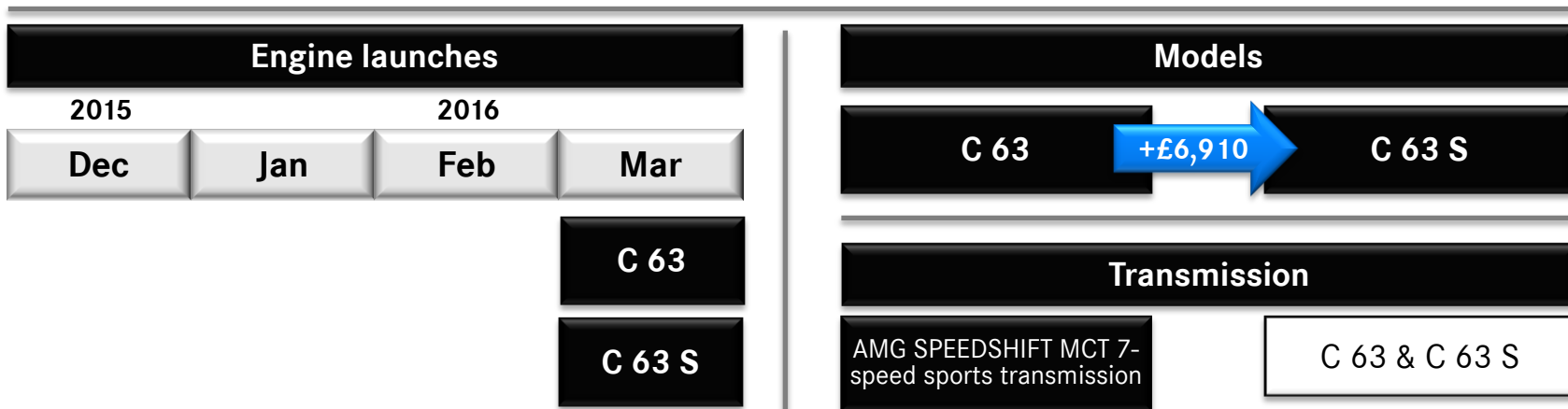
** Vehicle shown features optional 19" wheels (601) and diamond white (799)*

Product Offer

C-Class family structure:

The new Mercedes-AMG C 63 / C 63 S follow Saloon & Estate logic closely in:

- Model line up & Packages (Premium)
- Standard & optional equipment



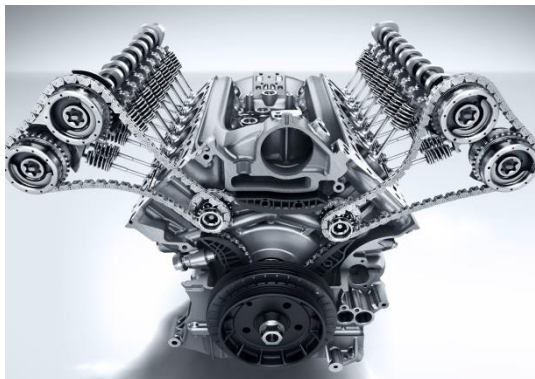


Engines & Driveline



Mercedes-Benz

Engine Highlights



AMG 4.0-litre twin-turbo V8 engine:

- Unrivalled torque (650 Nm / 700 Nm for C 63 S) figures in the direct competitive segment
- 0–62 mph in 4.0 seconds (3.9 for C 63 S)
- Integration of the turbochargers in the hot inside 'V'
- Most economical 8-cylinder engine in the high-performance segment

AMG mechanical/electronic* rear-axle limited-slip differential

- More agility and greater driving pleasure
- Reduced slip on the inside wheel without control intervention of brakes
- Better acceleration out of corners
- Increased driving stability in slaloms or when changing lane at high speed





Standard Specification



Mercedes-Benz

Standard Specification Highlights – Mercedes-AMG C 63



AMG steering wheel in
Black nappa leather



High Performance LED
head & tail lamps



nappa leather
upholstery choices



Mechanical rear-axle
limited-slip differential



AMG performance
exhaust system



18" 5-twin-spoke wheels
with grey brake callipers



COMAND Online



Memory seat package

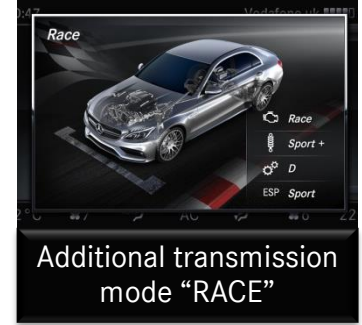


AMG instrument cluster
with RACETIMER



Spoiler lip in vehicle
colour

Standard Specification Highlights – Mercedes-AMG C 63 S



Standard Equipment Highlights Detail



AMG performance exhaust system:

- Two additional exhaust flaps for stronger sound differentiation
- Button in centre console to control sound characteristics
- Sound is linked to chosen transmission mode – without loss of power
- Occasional misfires in “S+” and “Race” mode (latter only for C 63 S)

AMG Performance seats (standard on C 63 S, optional on C 63):

- Optimum lateral support during dynamic driving
- Adjustable side bolsters
- Seat cushion depth adjustment ensures comfortable thigh support
- Steeper seat angle supports the legs





Model Line-Up



Mercedes-Benz

Mercedes-AMG C 63 - Interior

AMG sport seats with black
nappa leather upholstery

High gloss black trim with
aluminium inlays in doors

8.4" high resolution colour
screen &
COMAND Online

Black roof lining & AMG
floor mats

Vehicle shown features climatised seats which are not available in UK

Mercedes-AMG C 63 - Exterior



AMG rear apron with three
diffuser fins & AMG spoiler
lip

AMG radiator grille, AMG
front apron & AMG bonnet
with powerdomes

High Performance LED
head & tail lamps

AMG high-performance
braking system with grey
brake callipers

Frameless doors & V8 –
BITURBO lettering on the
front wings

Vehicle shown features optional 19" wheels (601) & optional metallic diamond white (799)

Mercedes-AMG C 63 S - Interior



AMG Performance seats

nappa leather upholstery
with grey inlays and crystal
grey seat belts

AMG Performance steering
wheel in black nappa
leather/DINAMICA
microfibre

AMG badging in seats,
centre console & steering
wheel

Vehicle shown features optional AMG carbon fibre trim (H73)

Mercedes-AMG C 63 S - Exterior



C 63 S badge on boot lid

High-performance
composite braking system
with red brake callipers

Electronic rear axle
differential

19" wheels as standard
equipment (601)

Vehicle shown features optional 19"/20" wheels (767), exterior carbon fibre package 1 (773) & designo iridium silver magno (982)



Packages



Mercedes-Benz

Packages - Premium (DP0)



Price (inc. VAT): £2,595

Available on Mercedes-AMG C 63 & C 63 S
Identical content and pricing to Saloon & Estate

**Consists of dashboard in nappa leather look and door belt lines in nappa leather look*



Optional Equipment



Mercedes-Benz

Wheel Options

Standard

Optional

C 63



18" - 5-twin-spoke painted titanium grey (609)

£595



19" - 5-twin-spoke design painted titanium (601)

£2,250

new



19/20" - forged cross-spoke painted titanium grey (766)

£2,500

new



19/20" - forged cross-spoke painted black (767)

C 63 S



19" - 5-twin-spoke design painted titanium (601)

£1,360

new



19/20" - forged cross-spoke painted titanium grey (766)

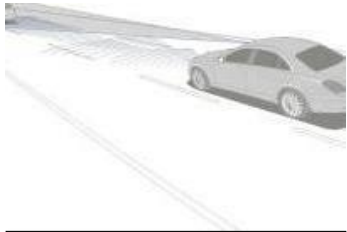
£1,735

new



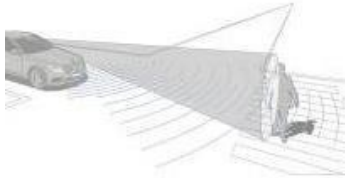
19/20" - forged cross-spoke painted black (767)

Driving Assistance Package (DP2)



DISTRONIC PLUS with Steering Assist and Stop&Go Pilot

Maintains set speed & safe distance from 0-125 mph. The Steering Assist generates a steering movement to keep the vehicle in the middle of its lane



BAS PLUS with Cross-Traffic Assist

BAS PLUS can increase the brake pressure according to the situation, ideally preventing a collision with other vehicles or pedestrians



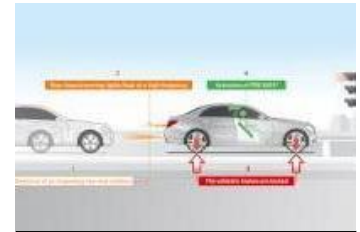
PRE-SAFE® Brake with pedestrian detection

Visual & acoustic warning if vehicle or pedestrian detected. if there is no reaction, the system brakes autonomously - right up to full emergency braking



Active Blind Spot & Lane keeping Assist

The system warns the driver and helps prevent an imminent collision with vehicle in blind spot by one-sided braking intervention. Vehicle is actively kept in lanes



PRE-SAFE® PLUS

Initiates measures if a rear-end collision is imminent. Including activating hazard lights, reversible belt tensioning, adjustment of passenger seat positions & closure of windows

Price (inc. VAT): £1,695

Available on Mercedes-AMG C 63 & C 63 S
Identical content and pricing to Saloon & Estate

Standalone Options

Option	Code	Price (inc. VAT)	C 63	C 63 S
Head-Up Display	463	£825	■	■
360 camera	501	£335	■	■
AIR-BALANCE package	P21	£350	■	■
Privacy glass	840	£265	■	■
LED Intelligent Light System	641	£545	■	■
AMG Drivers package	250	£2,755 / £765*	■	■
AMG Exterior Carbon Fibre package 1	773	£3,370	■	■
AMG Exterior Carbon Fibre package 2	B28	£1,260	■	■
AMG Night package	P60	£585	■	■
AMG high-performance ceramic brakes	B07	£4,285	-	■
AMG Performance seats	555	£1,405	■	Standard

■ available - not available

Standalone Options - Highlights



LED Intelligent Light System (641+628)

£545 inc. VAT

- Automatic adjustment of headlamps to weather, lighting and driving conditions for ideal visibility in every situation
- Welcome light greets the driver with an attractive light display when unlocking the vehicle
- The active light function pivots the headlamps into bends, enabling the driver to see much further

AMG Exterior Carbon Fibre package 1 (773)

£3,370 inc. VAT

- Emphasising the sporty character with motorsport derived carbon fibre elements
- A-wing on front apron in carbon fibre
- Inserts in side sill panels in carbon fibre
- Insert in rear apron above rear diffuser in carbon fibre



Paints

Standard



polar white (149)

Metallic



£645

obsidian black (197)



£645

selenite grey (992)



£645

iridium silver (775)



£645

brilliant blue (896)

designo



£845

diamond white (799)

designo magno



£1,695

new

selenite grey magno (297)



£1,695

new

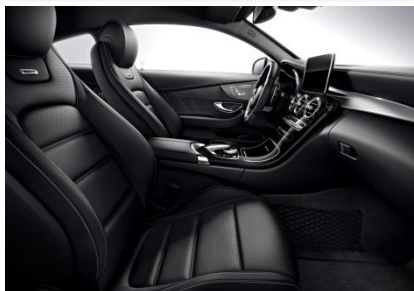
iridium silver magno (982)

Upholstery

Standard

Optional

C 63



nappa leather black (801A)

£0



nappa leather platinum white & white contrast stitching (851A)

£0



nappa leather red pepper & red contrast stitching (857A)

C 63 S



nappa leather black (811A)

£0



nappa leather platinum white & white contrast stitching (851A)

£0



nappa leather red pepper & red contrast stitching (857A)

Design - Sport Seats



Integral AMG sport seats with nappa leather upholstery

Design - Performance Seats



AMG Performance Seats with nappa leather upholstery including grey inlays & grey seat belts

Trims

Standard

Optional

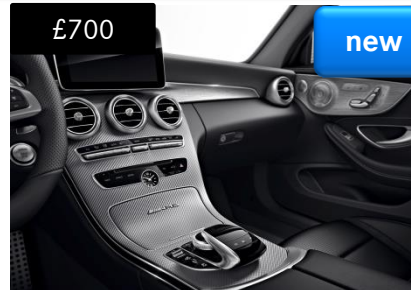
C 63



High-gloss black with aluminium inlays (739)



Carbon fibre (H73)



Glass fibre (H84)



Black ash wood (736)

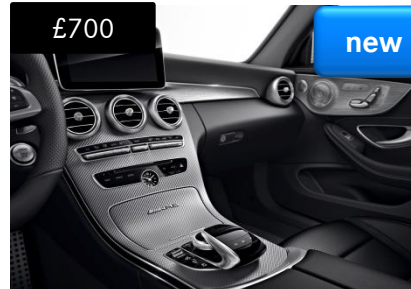
C 63 S



High-gloss black with aluminium inlays (739)



AMG Interior Carbon fibre package (H73)



AMG glass fibre package (H84)



Black ash wood (736)



Pricing



Mercedes-Benz

Model Prices – C-Class Coupé

Model	Model Line	Transmission	CO ₂	Basic RRP (£)	Total RRP (£)	Road Fund Licence (£) ¹	Rec. OTR price (£) ²	P11d price (£)	BIK tax rate 2015/16
C 220 d Diesel - 2,143cc, 4-cylinder, 170hp/125kW	Sport	6-speed manual	106	£27,329.17	£32,795	£0	£33,465	£33,410	19%
		9G-Tronic Plus 9-speed automatic	106	£28,579.17	£34,295	£0	£34,965	£34,910	19%
	AMG Line	6-speed manual	113	£28,575.00	£34,290	£0	£34,960	£34,905	20%
		9G-Tronic Plus 9-speed automatic	109	£29,825.00	£35,790	£0	£36,460	£36,405	19%
C 250 d Diesel - 2,143cc, 4-cylinder, 204hp/150kW	Sport	9G-Tronic Plus 9-speed automatic	109	£29,541.67	£35,450	£0	£36,120	£36,065	19%
	AMG Line	9G-Tronic Plus 9-speed automatic	112	£30,787.50	£36,945	£0	£37,615	£37,560	20%
C 200 Petrol - 1,991cc, 4-cylinder, 184hp/135kW	Sport	6-speed manual	123	£25,237.50	£30,285	£0	£30,955	£30,900	19%
		7G-Tronic Plus 7-speed automatic	125	£26,487.50	£31,785	£0	£32,455	£32,400	20%
	AMG Line	6-speed manual	132	£26,483.33	£31,780	£130	£32,580	£32,395	21%
		7G-Tronic Plus 7-speed automatic	133	£27,733.33	£33,280	£130	£34,080	£33,895	21%
C 300 Petrol - 1,991cc, 4-cylinder, 245hp/180kW	Sport	7G-Tronic Plus 7-speed automatic	146	£28,870.83	£34,645	£145	£35,460	£35,260	24%
	AMG Line	7G-Tronic Plus 7-speed automatic	154	£30,116.67	£36,140	£180	£36,990	£36,755	25%
Mercedes-AMG C 63 Petrol - 3,982cc, 8-cylinder, 476hp/350kW	-	AMG SPEEDSHIFT MCT 7-speed auto.	200	£50,000.00	£60,000	£490	£61,160	£60,615	35%
Mercedes-AMG C 63 S Petrol - 3,982cc, 8-cylinder, 510hp/375kW	-	AMG SPEEDSHIFT MCT 7-speed auto.	200	£55,758.33	£66,910	£490	£68,070	£67,525	35%
Mercedes-AMG C 63 S Edition 1 Petrol - 3,982cc, 8-cylinder, 510hp/375kW	-	AMG SPEEDSHIFT MCT 7-speed auto.	200	£63,116.67	£75,740	£490	£76,900	£76,355	35%

¹ A different first year rate of Vehicle Excise Duty (Road Fund Licence) applies for new cars.

² Recommended on-the-road price: these prices reflect the Road Fund Licence applicable to the standard model plus £670.00 additional costs necessary to put your car on the road.

Included are a standard UK delivery charge (£540.00 incl. VAT), new vehicle registration fee (£55.00), number plates (£25.00 incl. VAT) and fuel (£50.00 incl. VAT). VAT is calculated at the standard rate of 20%.

Prices and specifications are subject to change without prior notice.

For further information about Mercedes-AMG C 63 S Edition 1 please refer to NN 4408 Attachment 3



Technical Data

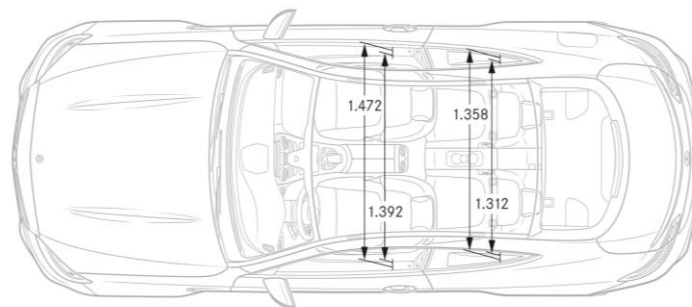
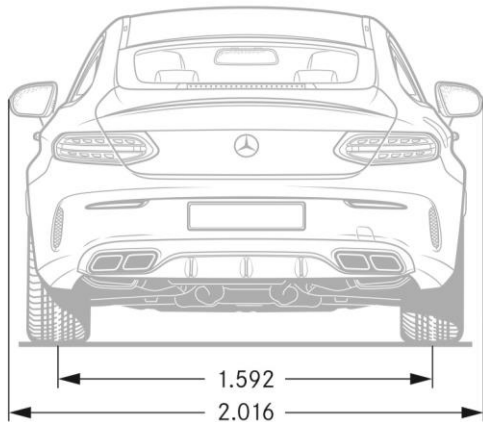
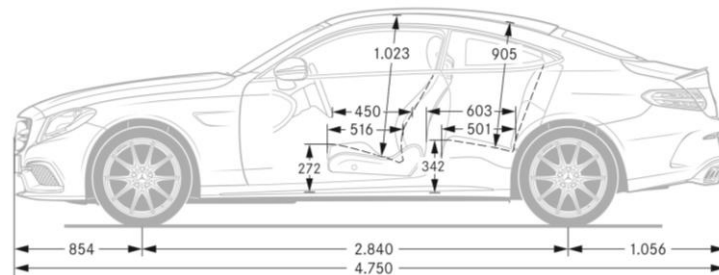
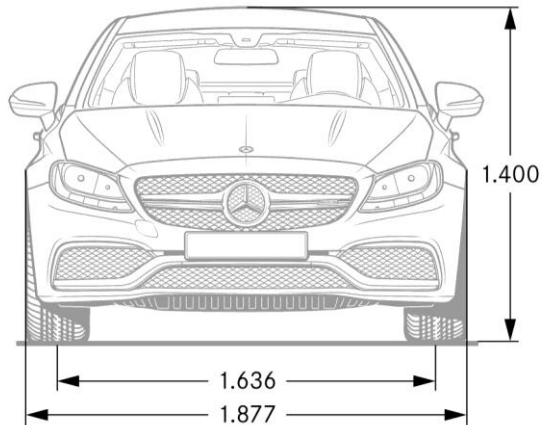


Mercedes-Benz

Technical Data

		C 63	C 63 S
Capacity	cc	3,982	3,982
Arrangements / cylinders / valves		V/8/32	V/8/32
Power	hp at rpm	476 (350) / 5,500 - 6,250	510 (375) / 5,500 - 6,250
Torque	Nm at rpm	650 / 1,750 - 4,500	700 / 1,750 - 4,500
Acceleration 0-62	mph	4.0	3.9
Top speed	mph	155	155
Fuel consumption mpg	urban	24.8	24.8
	extra urban	40.9	40.9
	combined	32.8	32.8
Kerb weight	kg	1,785	1,800
CO ₂ emissions*	g/km	200	200

Dimension Drawings





Competitive Comparison



Mercedes-Benz

Key Competitors vs new Mercedes-AMG C 63 Coupé



Strengths

Expressive character

Unrivalled performance

Engaging handling

Impressive 3.0l 6-cylinder engine

Strong standard specification

High quality interior

Weaknesses

Highest kerb weight

Firm ride

Too hard suspension

Notchy manual gearbox

Weak performance

Dated design features

Specification Comparison – Mercedes-AMG C 63

	C 63 Coupé 476 hp (auto)	M4 Coupé 431hp (auto)	RS5 Coupé 450hp (auto)
OTR Pricing	£61,160	£59,550	£59,870
Upholstery	nappa Leather	Leather	nappa leather
Parking aid	F/R sensors, reversing camera & Active park assist	F/R sensors std, (reversing camera + park assist £545)	F/R sensors (reversing camera £340)
Alloy wheel	18" wheels (19/20" wheel £2,250)	19" wheels (no inch upgrade offered)	19" wheels (20" £1,250)
Performance seats	standard	standard	standard
Navigation	COMAND Online	BMW Professional	MMI Plus
Performance exhaust system	standard	n/a	Optional (£890)
Headlamps	Full LED	Xenon	Adaptive Xenon

Technical Data Comparison – Mercedes-AMG C 63

		C 63 Coupé 476 hp (auto)	M4 Coupé 431hp (auto)	RS5 Coupé 450hp (auto)
Power	hp (kw) at rpm	476 (350) / 5,500 - 6,250	431 (317) / 5,500 - 7,300	450 (331) / 8,250
Torque	Nm at rpm	650 / 1,750 - 4,500	550 / 1,850 - 5,500	430/4,000-6,000
Acceleration 0-62	mph	4.0	4.1	4.5
Top speed	mph	155	155	155
Fuel consumption mpg	urban	24.8	25.4	19.6
	extra urban	40.9	42.2	34.0
	combined	32.8	34.0	26.9
Kerb weight kg		1,785	1,612	1,715
CO ₂ emissions	g/km	200	194	246



End

NN 4408 Attachment 2

MBUK Product Management, October 2015



Mercedes-Benz