



The new Mercedes-AMG C 63 S Coupé Edition 1

NN 4408 Attachment 3

MBUK Product Management, October 2015



Mercedes-Benz

Quick Reference

Overview

Standard Specification

Model Line-up

Optional Equipment

Pricing

Technical Data

Page

4

7

10

14

21

23

Summary

Production start March 2016 in Germany

Available for 12 months from launch

Only available on C 63 S & identified by code P97

New aerodynamic pack standard & only available on Edition 1

Premium package content as standard

Optional “Motorsport” package available

OTR pricing: from **£76,900**





Vehicle shown is Edition 1

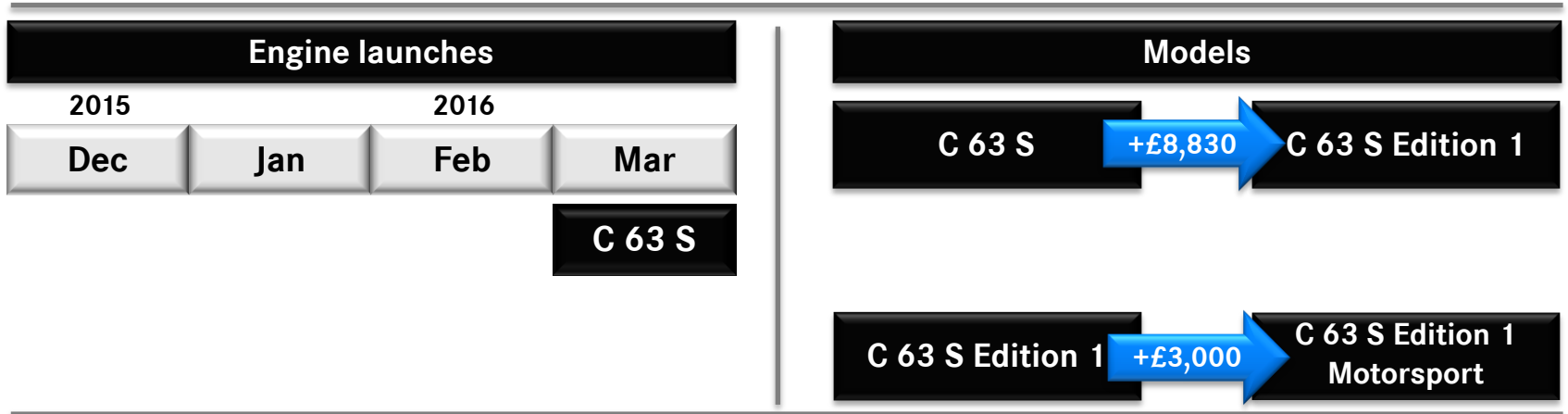


Vehicle shown is Edition 1 with optional Motorsport package (comprising ceramic brakes (B07), selenite grey magno (297), yellow accentuation)

Product Offer

Mercedes-AMG C 63 S Edition 1:

- In line with C-Class Saloon/Estate Edition 1:
 - Selected using code P97 which will be released during October 2015 (Communication to follow)
 - Factory specific colour scheme and equipment
 - Premium package content as standard
 - Motorsport package available only for C 63 S Edition 1





Standard Specification



Mercedes-Benz

Standard Specification Highlights – C 63 S Edition 1



Unique seat design with yellow contrast stitching



Grey AMG decals and foils on side skirts



AMG Aerodynamic package**



19/20"- forged cross-spoke painted black



AMG Night Package



Exclusive package*



KEYLESS GO Comfort Package



Burmester® surround sound system



LED Intelligent Light System



Panoramic electric glass sunroof

* Yellow contrast stitching

** Yellow decals only available with Motorsport package

Standard Specification Highlights - Detail

AMG Aerodynamic package in high-gloss black:

- Larger front splitter
- New AMG-specific side-skirts
- Side air flow break-away edges around the rear apron outlets
- Rear apron featuring a diffuser look with three vertical fins
- Larger AMG spoiler lip






Model Line-Up



Mercedes-Benz

C 63 S Edition 1 - Interior



AMG performance seats in black nappa leather with yellow diamond stitching

Door panels and upper dashboard with yellow contrast stitching

Unique matt carbon fibre trim

Edition 1 badging on steering wheel

C 63 S Edition 1 - Exterior



Rear apron featuring a diffuser look with three vertical fins

Graphite grey AMG decals for hood, roof* and boot lid plus AMG side sports stripes over side sills

19/20"- forged cross-spoke painted black

AMG Aerodynamic package

AMG Night Package

**roof only partly wrapped with decal due to panoramic roof being UK standard*

C 63 S Edition 1 Motorsport

+ £3,000 over Edition 1



Sporty rear end design with diffuser

Yellow AMG decals for hood, roof* and boot lid plus AMG side sports stripes over side sills

designo selenite grey magno paint

19/20"-twin-spoke forged wheels painted black with yellow rim flange

AMG high-performance ceramic composite braking system

**roof only partly wrapped with decal due to panoramic roof being UK standard*



Optional Equipment



Mercedes-Benz

Wheels

Standard

C 63 S Edition 1



19"/20" - forged cross-spoke design, painted matt black (767)

C 63 S Edition 1
Motorsport



19"/20"-twin-spoke forged wheels painted black (RXQ)

No other optional wheels available

Motorsport package



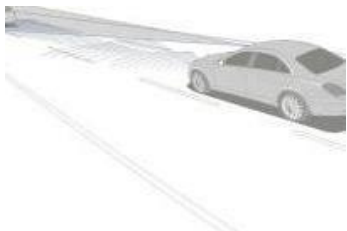
Additional £3,000 over Edition 1

Includes selenite grey magno paint & AMG ceramic composite braking system

Yellow exterior accentuation & unique wheel design

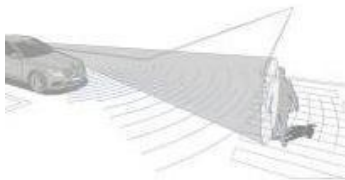
Customer advantage of 50%

Driving Assistance Package (DP2)



DISTRONIC PLUS with Steering Assist and Stop&Go Pilot

Maintains set speed & safe distance from 0-125 mph. The Steering Assist generates a steering moment to keep the vehicle in the middle of its lane



BAS PLUS with Cross-Traffic Assist

BAS PLUS can increase the brake pressure according to the situation, ideally preventing a collision with other vehicles or pedestrians



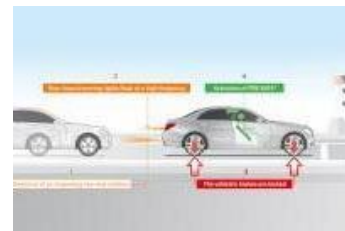
PRE-SAFE® Brake with pedestrian detection

Visual & acoustic warning if vehicle or pedestrian detected. If there is no reaction, the system brakes autonomously - right up to full emergency braking



Active Blind Spot & Lane keeping Assist

The system warns the driver and helps prevent an imminent collision with vehicle in blind spot by one-sided braking intervention. Vehicle is actively kept in lanes



PRE-SAFE® PLUS

Initiates measures if a rear-end collision is imminent. Including activating hazard lights, reversible belt tensioning, adjustment of passenger seat positions & closure of windows

Price (inc. VAT): £1,695

Available on C 63 S Edition 1 & C 63 S Edition 1 Motorsport

Standalone Options

Option	Code	Price	C 63 S Edition 1
Head-Up Display	463	£825	■
360 camera	501	£335	■
Air Balance Package	P21	£350	■
AMG Drivers package	250	£765	■
AMG Exterior Carbon fibre package 1* <i>Front apron in carbon fibre</i> <i>Insert in rear apron in carbon fibre</i>	773	£3,370	■
AMG Exterior Carbon fibre package 2* <i>Exterior mirror housings in carbon fibre</i>	B28	£1,260	■
Edition 1 - Motorsport Package	P97 + RXQ	£3,000	■
Sports tyres	R03	£550	■

■ available

Paints

Standard



polar white (149)

Metallic



obsidian black (197)



selenite grey (992)



iridium silver (775)



brilliant blue (896)

Desgino



diamond white (799)

Desgino magno



selenite grey magno (297)



iridium silver magno (982)

Upholstery & Trim



Black nappa leather with yellow diamond stitching (861A)



AMG matt carbon-fibre trim (H77)

No alternative upholsteries or trims available



Pricing



Mercedes-Benz

Model Prices – Mercedes-AMG C 63 Coupé

Mercedes-AMG C 63 Petrol – 3,982cc, 8-cylinder, 476hp/350kW	-	AMG SPEEDSHIFT MCT 7-speed auto.	200	£50,000.00	£60,000	£490	£61,160	£60,615	35%
Mercedes-AMG C 63 S Petrol – 3,982cc, 8-cylinder, 510hp/375kW	-	AMG SPEEDSHIFT MCT 7-speed auto.	200	£55,758.33	£66,910	£490	£68,070	£67,525	35%
Mercedes-AMG C 63 S Edition 1 Petrol – 3,982cc, 8-cylinder, 510hp/375kW	-	AMG SPEEDSHIFT MCT 7-speed auto.	200	£63,116.67	£75,740	£490	£76,900	£76,355	35%

¹ A different first year rate of Vehicle Excise Duty (Road Fund Licence) applies for new cars.

² Recommended on-the-road price: these prices reflect the Road Fund Licence applicable to the standard model plus £670.00 additional costs necessary to put your car on the road.

Included are a standard UK delivery charge (£540.00 incl. VAT), new vehicle registration fee (£55.00), number plates (£25.00 incl. VAT) and fuel (£50.00 incl. VAT). VAT is calculated at the standard rate of 20%.

Prices and specifications are subject to change without prior notice.



Technical Data

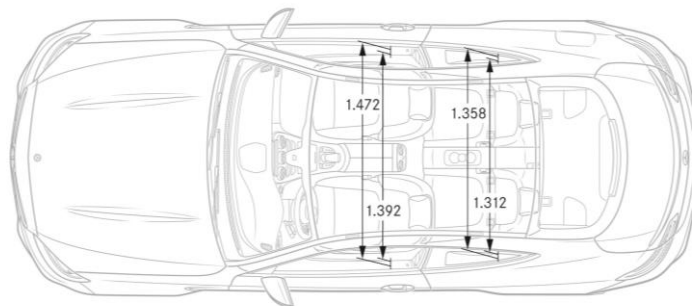
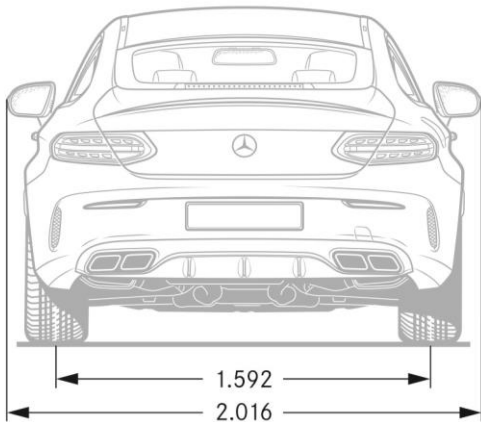
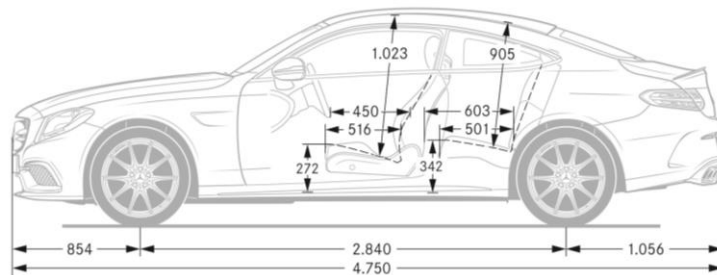
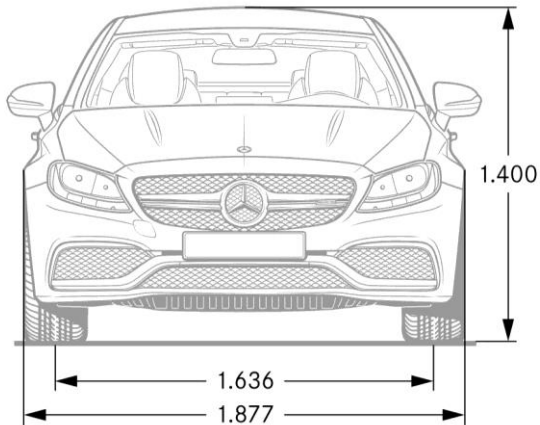


Mercedes-Benz

Technical Data

		C 63 S Edition 1
Capacity	cc	3,982
Arrangements / cylinders / valves		V/8/32
Power	hp at rpm	510 (375) / 5,500 - 6,250
Torque	Nm at rpm	700 / 1,750 - 4,500
Acceleration 0-62	mph	3.9
Top speed	mph	155
Fuel consumption mpg	urban	24.8
	extra urban	40.9
	combined	32.8
Kerb weight	kg	1,800
CO ₂ emissions*	g/km	200

Dimension Drawings





End

NN 4408 Attachment 3

MBUK Product Management, October 2015



Mercedes-Benz