

Dealer Ordering Guide



Mercedes-Benz MY17 C-Class Coupe (C205)

MY17 C-Class Coupe

An important note about this Guide:

The information presented in this guide is based on the most current information available and is intended for internal use only. Mercedes-Benz, USA reserves the right to make changes at any time, without notice, to colors, materials, equipment, special specifications and models.

Pricing may not yet be finalized for some models or options.

Due to variances among monitors and printers, the colors that appear on your screen and printouts may not be exact.

For illustrative purposes, some images may show vehicles with European Specifications.

Revision History

Date	Edited By	Changes
12/3/15	K. Edwards	Initial publication
1/7/2016	K. Edwards	What's New section updated. U.S. spec photos added where available. Premium 1, 2 and 3 heated seats requirement footnote added
1/14/2016	K. Edwards	Base MSRP pricing added. MB-Tex Dashboard (U09) moved from Leather Seating Package (318) to Sport Package (321)
1/19/2016	K. Edwards	Steel Grey Metallic (755) removed from DOG, not available for C205.
1/20/2016	K. Edwards	Leather Seating Package (318) deleted. Leather Upholstery (201, 218, 224, 225 and 227) and Passenger Memory Seat (242) added to stand-alone options. Passenger Memory Seat no longer requires leather upholstery.
1/22/2016	K. Edwards	Black Ash Natural Grain Wood Trim (736) temporarily unavailable for further ordering for February 2016 production units due to factory constraints. 736 is currently available for March production orders onward.
1/26/2016	K. Edwards	Specifications chart updated (tire size, turning circle, curb weight).
2/11/2016	K. Edwards	R11 17" wheel added to non-orderable wheels page. A limited amount of early production vehicles will receive the R11 17" wheel and a \$500 price credit.
3/10/2016	K. Edwards	Rear Roof Spoiler (105) and Chrome Door Handle Inserts (070) now available to order.
3/11/2016	K. Edwards	Accessories pricing and ordering rules added.

Revision History

Date	Edited By	Changes
3/28/16	K. Edwards	Roof and Rear Decklid Spoiler accessory code and pricing changes. Non-orderable Market Introduction vehicle packages (Q02, Q03) added. Curb weights updated.
3/31/16		Added AMG variants.
4/5/16		Updated description for Sport tires (R03).
4/7/16	K. Edwards	C300/4M option pricing added.
4/18/16		Updated C 63 S Edition 1 (P97) content to include Adaptive Highbeam Assist (608).
4/21/16		Added Red Seatbelts (Y05) as standalone option on C 63/63 S.
5/2/16	K. Edwards	Head-Up Display availability delayed until August production.
6/6/16		Added base MSRP pricing for AMG models.
6/13/16		Added package and option pricing for AMG models.
6/16/16		Updated pricing for AMG P02 and P03 packages. C300/4M fuel economy figures added.

Table of Contents *(please click on the link to get to the page)*

- [What's new in MY17](#)
- [Models](#)
- [Standard Equipment](#)
- [Paints](#)
- [Upholsteries](#)
- [Trims](#)
- [Wheels](#)
- [Visual Equipment Differentiation](#)
 - [Headlights](#)
 - [Brakes](#)
 - [Seat Belts](#)
- [Option Packages](#)
- [Stand-Alone Options/Special Orders/Accessories](#)
- [Specifications](#)
- [Product Highlights](#)
- [Advantages over competition](#)
- [Gallery](#)

What's new: MY17 Overview

Standard Equipment

- Panoramic Sunroof
- LED Headlamps & Taillamps
- 18" wheels with All-Season Extended Mobility tires
- Automatic Seatbelt Presenter
- COLLISION PREVENTION ASSIST PLUS (CPA+)
- PRE-SAFE
- Powered Passenger Seat
- KEYLESS START
- Pre-wiring for GARMIN® Map Pilot
- DYNAMIC SELECT
- 5 years of Mbrace subscription (including Remote Start)

Optional Equipment

- Package strategy includes 3 available Premium Packages
- Driver's Assistance Package, Lighting Package, Multimedia Package and Air Balance Package become part of Premium Package equipment
- Introduction of Natural Grain Brown Ash Wood trim
- Leather Upholstery as a stand-alone option replaces Interior Package
- Introduction of limited production Edition 1 Package (P88)

Paints

- Introduction of Brilliant Blue Metallic
- Selenite Grey Metallic replaces Palladium Silver Metallic
- Introduction of *designo* Selenite Grey Magno for Edition 1

Wheels

- New standard 18" 5-spoke wheel (R32)
- New optional Twin 5-Spoke 19" wheel with High-Performance tires (R17)
- New option Twin 5-Spoke 19" wheel for Edition #1 (R90)



What's new: MY17 Overview

Standard Equipment

- Panorama Sunroof
- LED Headlamps & Taillamps
- Premium 1 Package
- Automatic Seatbelt Presenter
- COLLISION PREVENTION ASSIST PLUS (CPA+)
- PRE-SAFE
- Heated Front Seats
- Pre-wiring for GARMIN® Map Pilot
- AMG DYNAMIC SELECT
- 5 Years of Mbrace Subscription (including Remote Start)

Optional Equipment

- Additional AMG Carbon Fiber Package available for C 63/63 S
- Driver's Assistance Package, Lighting Package, Multimedia Package and Air Balance Package become part of Premium Package equipment
- Ventilated seats
- Introduction of limited production C63 S Edition 1

Paints

- Introduction of Brilliant Blue Metallic
- Selenite Grey Metallic replaces Palladium Silver Metallic
- Introduction of *designo* Selenite Grey Magno with yellow stripes for Edition 1

Wheels

- Introduction of 19" front/20" rear forged wheels for C 63/63 S
- Unique 19" front/20" rear forged wheel with yellow accents for Edition 1



What's new: C204 vs. C205 Exterior Design

MY15 C-Class Coupe



MY17 C-Class Coupe (321 Sport Package shown)

Front hood grows 2.4" in length for sportier appearance

Elongated dropping profile line



Single-louvre grill design

Standard LED Headlamps

Standard 18" wheels (Sport Package 18" AMG wheels shown)

What's new: C204 vs. C205 Exterior Design

MY15 C-Class Coupe



Full LED rear lamps

MY17 C-Class Coupe



Integrated radio antenna

Standard 18" wheels

New S-Class Coupe inspired styling

Movement of license plate mounting to bumper

MY17 C-Class Coupe

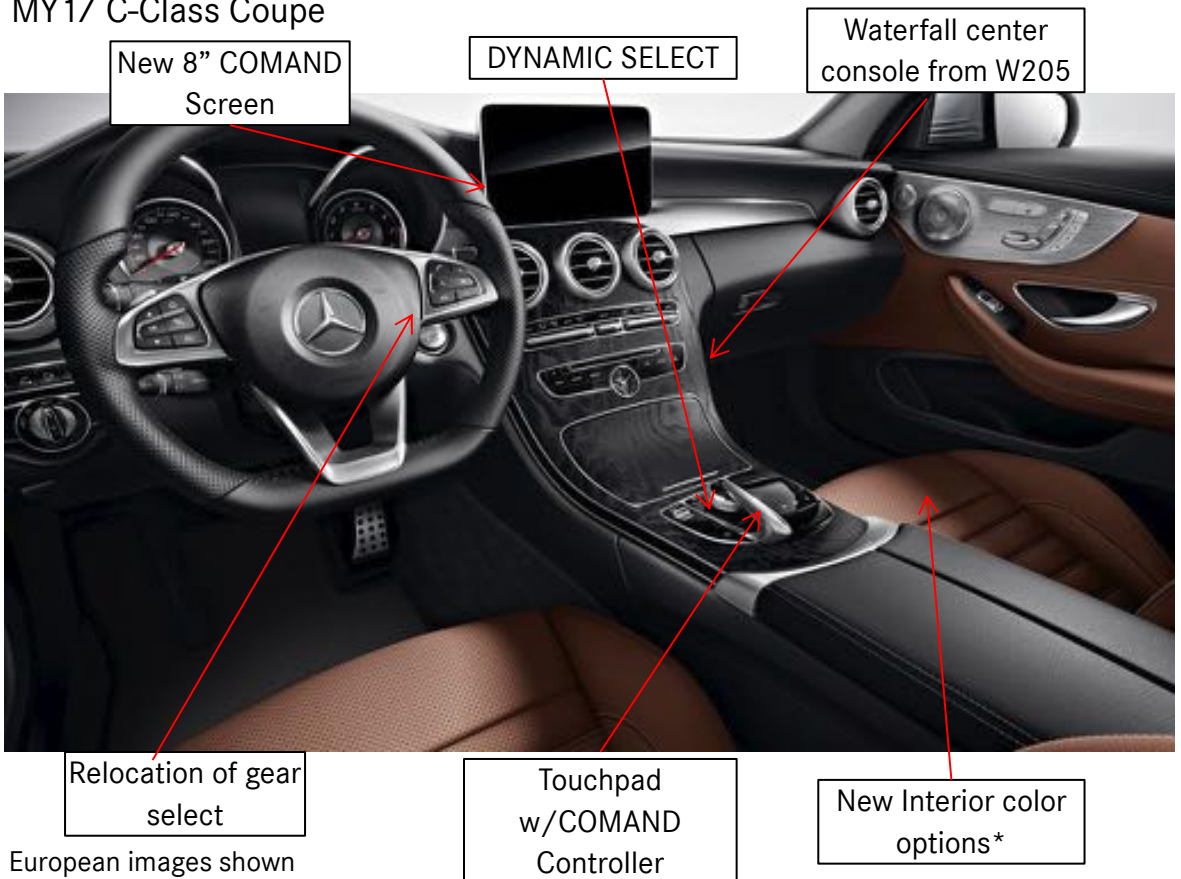
European images shown

What's new: C204 vs. C205 Interior Design

MY15 C-Class Coupe



MY17 C-Class Coupe



What's new: 521 – Night Package

\$300

Available with Sport Package (321).



With striking design elements in black, the Night Package underscores the sporty, expressive character of the vehicle.

The Night Package includes:

- ① AMG front apron with trim in high-gloss black
- ② Front grill trim with integral Mercedes-Benz star and 1 lamella in high-gloss black with chrome inserts
- ③ 18" AMG 5-spoke light-alloy wheels, painted in black with a high-sheen finish (792) (upgrade to 19" AMG Multi-Spoke rims painted in black with a high-sheen finish and High-Performance tires (665) possible)
- ④ Beltline trim strip and window weather-strip in high-gloss black
- ⑤ Exterior mirrors in high-gloss black
- ⑥ Diffuser-look rear insert in high-gloss black



European images shown

What's new: Automatic Seatbelt Extender

Standard on all C-Class Coupes



Also found on the ground-breaking S-Class Coupe, the C-Class Coupe's Automatic Seatbelt Extender generously extends the driver and passenger seatbelts forward when the vehicle detects occupants, maximizing convenience and luxury.



What's new: Sliding Panoramic Sunroof

Standard on all C-Class Coupes



The panoramic roof connected directly to the windshield spans 2/3 of the roof area to offer all passengers an excellent view and creates a light, friendly atmosphere in the interior. An electric sunblind provides shade in strong sunlight.

The panoramic sliding sunroof has numerous useful functions for a high level of travelling comfort. In the raised position, the glass roof automatically adjusts in three stages to suit the current vehicle speed. The glass roof is lowered at high speeds, reducing the noise level and air circulation in the interior. Conversely, it raises itself again at low speeds. The panoramic sliding sunroof also responds automatically to rain: if it is open, it automatically moves to the raised position to prevent rain from entering the interior.

What's new: Rearview Camera

Available on all C-Class Coupes



Reverse parking and maneuvering is made much easier and safer by the reversing camera. It is switched on automatically when the driver selects reverse gear, and shows the driver the area behind the vehicle on the COMAND display. Dynamic guide lines assist the driver with his driving maneuvers. The reversing camera is integrated in the rear trunk lid. It is protected from the elements behind a cover which opens when the camera is activated.

Available as a part of Premium Package 1 or as a Stand-alone option.

What's new: Natural Grain Brown Ash Wood Trim

Available on all C-Class Coupes



New to the C-Class family, the elegant Natural Grain Brown Ash Wood option follows the success of the popular Natural Grain Black Ash Wood trim with open texture brown wood in the waterfall console and doors.

This combination is not recommended with Cranberry Red Leather.

What's new: Premium Package Structure

The Premium Packages have been split into three Premium Packages, allowing for a simplified package offering structure and easier ordering.

MY16 Sedan

Premium 1 Package

- SiriusXM® Satellite Radio
- KEYLESS-GO
- **MSRP \$700**
- *only with Blind Spot Assist or Driver Assistance Package*

Premium 2 Package

- SiriusXM® Satellite Radio
- KEYLESS-GO
- Burmester Sound System
- LED Headlights
- **MSRP \$2,220**
- *only with Blind Spot Assist or Driver Assistance Package*
- *only with Heated Seats or Interior Package*

MY17 Coupe

Premium 1 Package

- Rearview Camera
- SiriusXM® Satellite Radio
- Burmester Premium Sound
- KEYLESS-GO
- Blind Spot Assist
- *only with Heated Seats or Heated/Ventilated Seats*
- **MSRP \$2,300**

Premium 2 Package

- *Premium 1 plus:*
- COMAND Navigation
- SiriusXM Weather/Traffic
- 8.4" High-Res Screen
- Hands-Free Access
- Electronic Trunk Closer
- Power Folding Door Mirrors
- **MSRP \$4,500**

Premium 3 Package

- *Premium 2 plus:*
- DISTRONIC PLUS with Steering Assist
- Active Blind Spot Assist
- Active Lane Keeping Assist
- AIR BALANCE
- Dynamic LED Headlights
- Adaptive Highbeam Assist
- **MSRP \$7,400**



Models

	Displacement	Power	Torque	MSRP	Launch
C300 (205.348)	2.0-Liter turbo inline-4	241 hp/ 180 kW	273 @ 1,300- 4,000	\$42,650	3/2016
C300 4M (205.349)	2.0-Liter turbo inline-4	241 hp/ 180 kW	273 @ 1,200- 4,000	\$44,650	3/2016
AMG C 43 (205.364)	AMG-enhanced 3.0L V6 Biturbo	362hp/ 270 kW	384 @ 2,000- 4,200	\$55,500	Fall 2016
AMG C 63 (205.386)	Handcrafted AMG 4.0L V8 Biturbo	469hp/ 350 kW	479 @ 1,750- 4,500	\$67,000	Late Summer 2016
AMG C 63 S (205.387)	Handcrafted AMG 4.0L V8 Biturbo	503hp/ 375 kW	516 @ 1,750- 4,500	\$75,000	Late Summer 2016



Standard Equipment Highlights

Performance/Handling

- 7-speed automatic transmission with paddle shifters
- Multi-Link Front Suspension
- Multi-Link Independent Rear Suspension
- DYNAMIC SELECT
- Adaptive Braking Technology
- All-Season Tires
- ECO Start/Stop Technology
- 18" Wheels
- Sport Tuned Suspension

Comfort/Convenience

- KEYLESS START
- Audio System with CD drive
- Two USB Ports
- Bluetooth Technology (for Handsfree Phone Use/Audio Streaming)
- HD Radio
- Power Front Seats with Driver Memory
- 4-way Lumbar Support
- Power Tilt & Telescoping Steering Column
- Electronic Cruise Control
- Power Windows with Express Up and Down
- Automatic Headlamps with Twilight Sensor & Locator Lighting
- Split-Folding Rear Seats (40/20/40)
- Central Controller with 7" high-mounted tablet-style color display
- Multifunction leather steering wheel
- Pre-wiring for GARMIN® Map Pilot
- Dual-zone Automatic Climate Control
- Garage Door Opener
- Intermittent Wipers with Rain Sensor
- Automatic Seatbelt Extender



Standard Equipment Highlights (continued)

Comfort/Convenience (Continued)

- Panorama Sunroof
- LED Headlamps and taillights
- Auto-Dimming Driver & Rear View Mirror
- Front and Rear Cupholders

Safety/Security

- New Vehicle 4 Year/50,000 Mile Warranty
- 24h Roadside Assistance Program
- 3-point Seat Belt with Pretensioners & Dual-Stage Belt Force Limiter
- Front Dual Stage Airbags
- Front and Rear Side Window Airbags
- Front Side Airbags
- Driver Kneebag
- ISOFIX Anchor and Tether System
- ATTENTION ASSIST Driver Drowsiness Monitor
- COLLISION PREVENTION ASSIST PLUS (CPA+)
- PRE-SAFE
- Smart Key with Panic Button
- Tire Pressure Monitoring System
- Anti-theft Alarm System



Standard Equipment Highlights

Performance/Handling

- 9G-TRONIC sport transmission with paddle shifters – C 43
- AMG SPEEDSHIFT MCT 7-speed sport transmission – C 63/63 S
- AMG RIDE CONTROL sport suspension
- AMG DYNAMIC SELECT
- AMG Performance 4MATIC – C 43
- AMG Mechanical limited-slip differential – C 63
- AMG Electronic limited-slip differential – C 63 S
- Dynamic Engine Mounts – C 63 S
- 18" Wheels – C 43/C 63
- 19" Wheels – C 63 S

Comfort/Convenience

- KEYLESS START
- KEYLESS-GO
- Rearview Camera
- Two USB Ports
- Bluetooth Technology (for Handsfree Phone Use/Audio Streaming)
- SiriusXM Satellite radio
- Powered Driver and Passenger Seat w/ Memory
- Front Sport Seats w/ extendable thigh support
- 4-way Lumbar Support
- Power Tilt & Telescoping Steering Column
- Blind Spot Assist
- Burmester Premium Sound System
- Automatic Headlamps with Twilight Sensor & Locator Lighting
- Split-Folding Rear Seats (40/20/40)
- Central Controller with 7" high-mounted tablet-style color display
- Heated Front Seats
- Pre-wiring for GARMIN® Map Pilot
- Dual-zone Automatic Climate Control
- Garage Door Opener

Standard Equipment Highlights (continued)

Comfort/Convenience (Continued)

- Automatic Seatbelt Extender
- Panorama Sunroof
- LED Headlamps and Taillamps
- Auto-Dimming Driver & Rear View Mirror
- Front and Rear Cup Holders
- AMG Illuminated Door Sills – C 63/63 S

Safety/Security

- New Vehicle 4 Year/50,000 Mile Warranty
- 24h Roadside Assistance Program
- 3-point Seat Belt with Pretensioners & Dual-Stage Belt Force Limiter
- Front Dual Stage Airbags
- Front and Rear Side Window Airbags
- Front Side Airbags
- Driver Kneebag
- ISOFIX Anchor and Tether System
- ATTENTION ASSIST Driver Drowsiness Monitor
- COLLISION PREVENTION ASSIST PLUS (CPA+)
- PRE-SAFE
- Smart Key with Panic Button
- Tire Pressure Monitoring System
- Anti-theft Alarm System



Paints

Non-metallic Paints

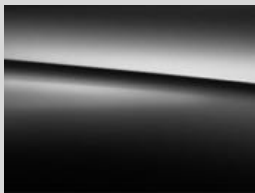


040
Black



149
Polar White

Metallic Paints*



197
Obsidian Black



775
Iridium Silver



796
Dakota Brown



890
Lunar Blue



896
Brilliant Blue



988
Diamond Silver



992
Selenite Grey

designo Metallic Paints



Metallic paint with high-quality effect pigments and exclusive color shades



297
Selenite Grey Magno**



799
Diamond White
\$1,515



996
Cardinal Red
\$1,080

*Additional charge: \$720

** Only with P88 Edition #1



Paints

Non-metallic Paints

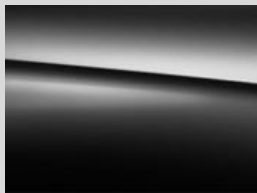


040*
Black



149
Polar White

Metallic Paints - \$720



197
Obsidian Black



775
Iridium Silver



796*
Dakota Brown



890*
Lunar Blue



896
Brilliant Blue



988*
Diamond Silver



992
Selenite Grey

designo Metallic Paints



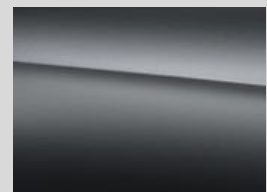
Metallic paint with high-quality effect pigments and exclusive color shades



996*
Cardinal Red
\$1,080



799
Diamond White
\$1.515



297**
Selenite Grey Magno



Upholsteries

C300/ C300 4MATIC

MB-**Tex**



101 Black



105 Silk Beige/Black



118 Crystal Grey/Black



124 Saddle Brown/Black



654A* Nut Brown/Black
DINAMICA

Leather



201 Black



218 Crystal Grey/Black



224 Saddle Brown/Black



225 Porcelain / Black



227 Cranberry Red/Black

* Only with P88 Edition # 1

Upholsteries

C 43

MB-
Tex



641 Black MB-
Tex/DINAMICA w/Red
Stitching and Red
Seatbelts - *Standard*

Leather



201 Black



241 Black w/Red Stitching
and Red Seatbelts



218 Crystal Grey/Black



224 Saddle Brown/Black



225 Porcelain / Black



227 Cranberry Red/Black

Upholsteries

C 63/63 S

MB-Tex



611 Black MB-Tex/DINAMICA
- C 63 Only - *Standard*

Nappa Leather



801 Black



811 Black w/ Grey Accents and Silver Seatbelts - C 63 S Only - *Standard*



857 Red Pepper/Black



*851 Platinum White/Black

*C 63 S comes with silver seatbelts

Upholsteries

C 43/C 63/63 S Performance Seats

MB-
Tex



641+555 Black MB-
Tex/DINAMICA w/Red
Stitching and Red
Seatbelts



611+555 Black MB-
Tex/DINAMICA -
C 63 Only

Leather



241+555 Black w/Red
Stitching and Red
Seatbelts - C 43 Only



801+555 Black Nappa -
C 63/63 S Only



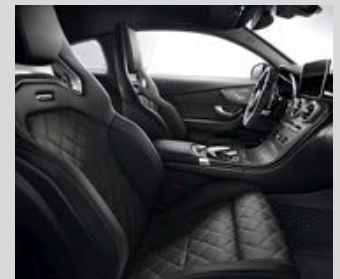
811+555 Black w/ Grey
Accents and Silver
Seatbelts - C 63 S Only



857+555 Red
Pepper/Black Nappa -
C 63/63 S Only



*851+555 Platinum
White/Black Nappa -
C 63/63 S Only



861+555 Black Nappa
w/yellow stitching -
Edition 1 Only

*C 63 S comes with silver seatbelts

Trims

739 – Aluminum/High-Gloss Black



- Standard on all models

736 – Natural Grain Black Ash Wood*



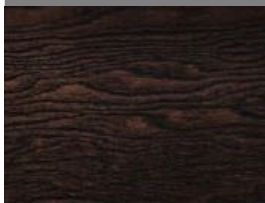
- Requires 321 – Sport Package
- **\$325**

H07– Linden Wood*



- Optional on all models
- **\$325**

H09 – Natural Grain Brown Ash Wood*

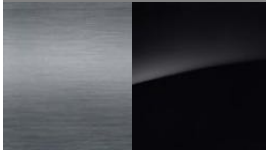


- Optional on all models
- **\$325**



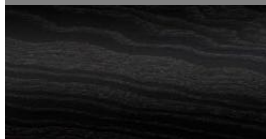
Trims

739 – Aluminum/High-Gloss Black



- Standard on C 43/C 63
- No-cost option on C 63 S

736 – Natural Grain Black Ash Wood*



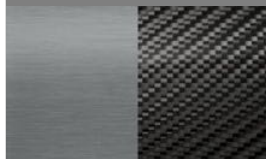
- Standard on C 63 S
- **\$325** on C 43/C 63

H07– Linden Wood*



- Optional on all models
- **\$325** on C 43/C 63, no-cost option on C 63 S

H73 – Carbon Fiber*



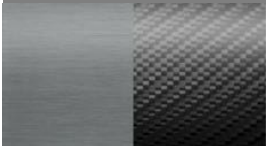
- Optional on all models
- **\$1,300** on C 43/C 63, **\$975** on C 63 S

H84 – Silver Fiber Glass*



- Optional on all models
- **\$1,300** on C 43/C 63, **\$975** on C 63 S

H77 – Matte Carbon Fiber*



- **Edition 1 only**



Wheels

Standard

N/C Option

Optional

C300/4M



R32 - 5-Spoke Wheel
All-Season
18"



22R - Split 5-Spoke
All-Season
18"



R17 - Twin 5-Spoke
High-Performance
19"
\$500

C300/4M
Sport Package

782 - AMG 5-Spoke
All-Season
18"



788 - AMG Multi-Spoke
High-Performance
19"
\$500

C300/4M
Night Package

792 AMG 5-Spoke
Black/polished
All-Season
18"



665 - AMG Multi-Spoke
Black/polished
High-Performance
19"
\$500



Wheels (Non-Orderable)

Standard

C300/4M
Edition #1



R90 - Twin 5-Spoke
High-Performance
19"

C300/4M
Early Production



R11 - Split 5-Spoke
All-Season
17"
\$500 Customer Credit

Wheels

Standard

Optional

C 43



661 - 5-Spoke Wheel
w/black accents
All-Season Run-flat
18"



644 - Twin 5-Spoke
High-Performance
Run-flat **19"**
\$850



604 - Twin 5-Spoke
w/black accents High-
Performance Run-flat **19"**
\$850



605 - Multi-Spoke
High-Performance
Run-flat **19"**
\$850



606 - Multi-Spoke
w/black accents High-
Performance Run-flat **19"**
\$850

C 63



609 - AMG 10-Spoke
High-Performance
18"



770 - AMG Cross-Spoke
Forged High Performance
19"
\$1,950



662 - AMG Black Cross-Spoke
Forged High-Performance
19"
\$2,450

Wheels (Continued)

Standard

Optional

C 63 S



601 – AMG Twin 5-Spoke High-Performance
19"



766 – AMG Cross-Spoke Forged High-Performance
19" front/20" rear
\$1,600



767 – AMG Black Cross-Spoke Forged High-Performance
19" front/20" rear
\$2,100

C 63 S
Edition 1



RXQ – Twin 5-Spoke Forged High-Performance
19" front/20" rear



Visual Equipment Differentiation

Headlights

LED Headlamps (Standard)



- All functions feature LED technology
- Integrated LED daytime running lamps with fibre-optics
- Projector LED low beam and reflective LED high beam technology
- Full LED tail lamps with fibre-optics

Dynamic LED Headlamps (P03 – Premium 3 Package)



- All functions of the Static LED Headlamps plus:
- Active light function for better illumination in curves
 - Dual low/high beam LED projection modules



Visual Equipment Differentiation

Steering Wheels

277 – Sport Steering Wheel



- Standard on C 43
- The 12 ergonomic control buttons on the leather multifunction sport steering wheel with flattened bottom section enable operation of the display menus in the instrument cluster and the Audio/COMAND display on the left. On the right, the driver can control the volume of audio devices, telephone and navigation system. Silver-colored aluminum shift paddles emphasize the sporty appeal.

300# - AMG Performance Steering Wheel



- Standard on C 63
- The AMG Performance steering wheel in Nappa leather features AMG-specific shift paddles "AMG" badge underscore the sporty character.

281 – AMG Performance Steering Wheel w/DINAMICA inserts \$500



- Standard on C 63 S, optional on C 43 and C 63
- For even better grip and performance feel, the grip area is finished in DINAMICA.
- Colored 12 o'clock marking available on C 63 S only. Red Pepper nappa upholstery (857) comes with red marking, Black nappa leather w/ grey accents (811) and Platinum White/black nappa leather (851) come with silver marking. Black Nappa Leather (801) comes with black marking.



Visual Equipment Differentiation

Brakes

Silver Brake Calipers with Black Lettering

Standard



- C 43 only
- 4-piston front and single piston rear calipers

Grey Brake Calipers with White Lettering

Standard



- C 63 only
- 6-piston front and single piston rear calipers

Red Brake Calipers with Black Lettering

Standard



- C 63 S only
- 6-piston front and single piston rear calipers

AMG Carbon Ceramic Front Braking System – B07

\$5,450

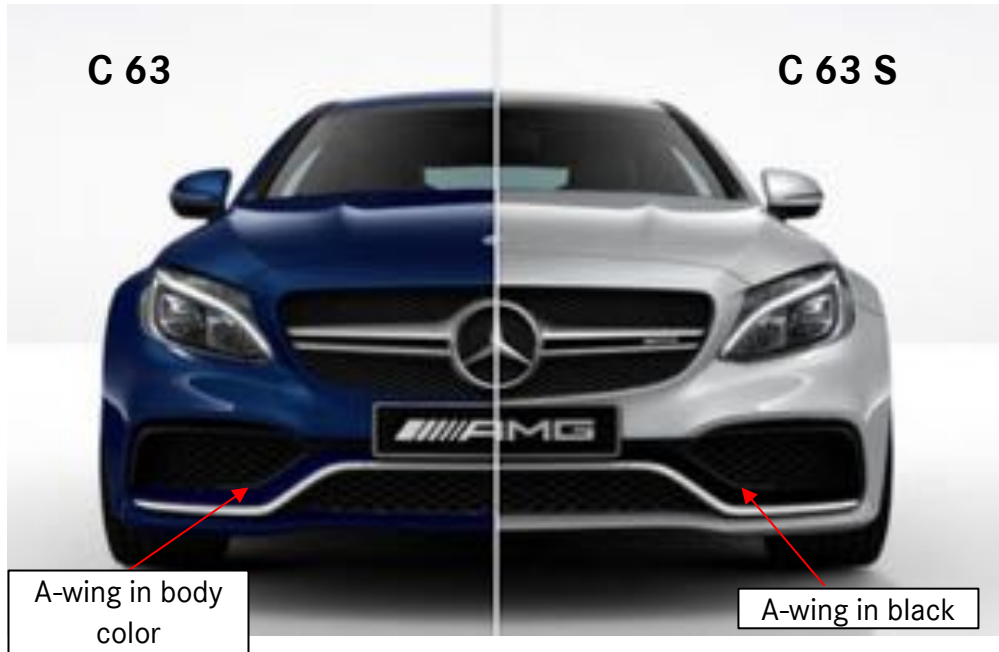


- Optional on C 63 S
- N/A on C 43 and C 63
- The 6-piston front brake calipers and front carbon ceramic brake discs are able to withstand extreme loads and heat which allows consistently short stopping distances
- Weight reduction of 30-40% compared to conventional compound brake discs
- Bronze front and rear calipers are the signature of the AMG Carbon Ceramic Braking system

Visual Equipment Differentiation

Exterior

Standard AMG C 63 Coupe and standard AMG C 63 S Coupe



Visual Equipment Differentiation

Exterior

C 63/63 S Night Package

\$tbd



Gloss black accents



Diffuser trim and exhaust tips in black



Visual Equipment Differentiation

Exterior

C 63/63 S AMG Exterior Carbon Fiber Package I

\$tbd



Carbon fiber accents



Diffuser trim in carbon fiber



Visual Equipment Differentiation

Exterior

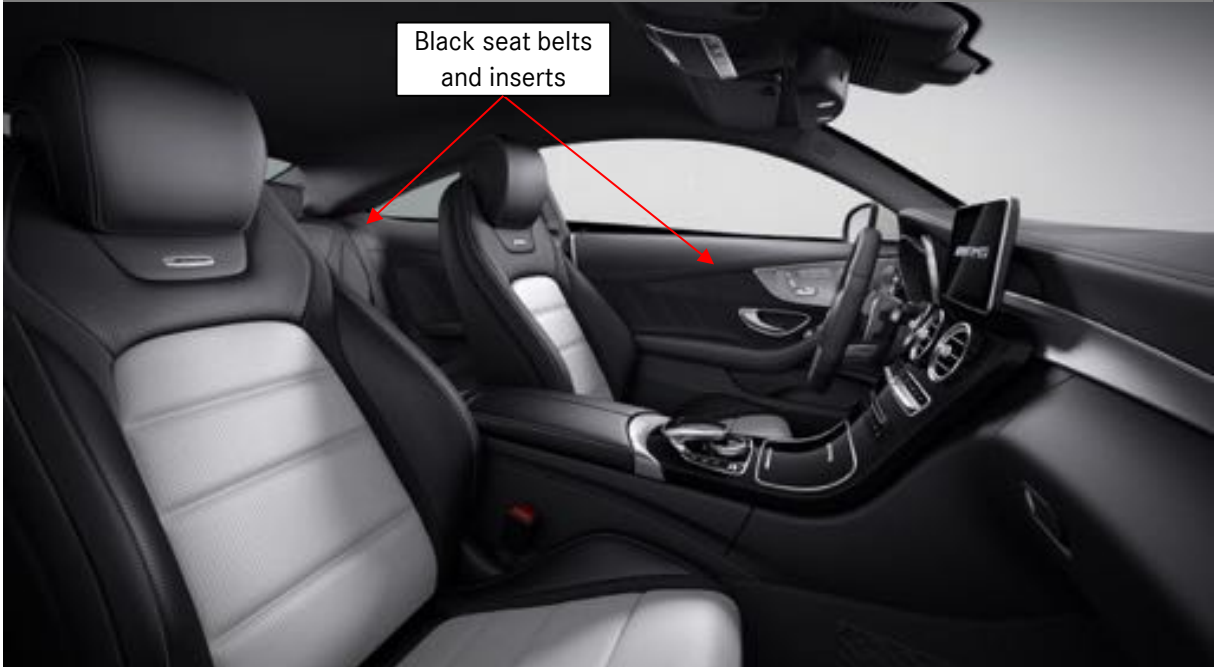
AMG Exterior Carbon Fiber Package II

\$tbd



Visual Equipment Differentiation Interior

C 63 Platinum White / Black Nappa Leather (85 1)



C 63 S Platinum White / Black Nappa Leather (85 1)



Visual Equipment Differentiation Interior

C 63 Red Pepper / Black Nappa Leather (857)



C 63 S Red Pepper / Black Nappa Leather (857)



Visual Equipment Differentiation

Seat Belts

C 43	641 MB-Tex/ DINAMICA w/red accents	201 Black Leather	241 Black leather w/red accents	218 Crystal Grey/Black	224 Saddle Brown/ Black	225 Procelain/ Black	227 Cranberry/ Black
Y05 Red Seat Belts	S	-	S	-	-	-	-
Black Seat Belts (Must select code U17)	O	S	O	S	S	S	S

C 63	611 MB- Tex/DINAMICA	801 Black Leather	857 Red Pepper Leather/Blk	851 Platinum White/Blk
Y05 Red Seat Belts	O	O	-	O
Black Seat Belts	S	S	S	S

C 63 S	801 Black Leather	811 Black Leather/Grey Accents	857 Red Pepper Leather/Blk	851 Platinum White/Blk
Y05 Red Seat Belts	O	O	-	O
Y04 Silver Seat Belts	-	S	-	S
Black Seat Belts (Must select code U17)	S	O	S	O



Option Packages

P01 – Premium 1 Package

\$2,300

*Requires Heated Seats (873) or Heated/Ventilated Seats (401).**

- 218 – Rear View Camera
- 234 – Blind Spot Assist
- 536 – SiriusXM® Satellite Radio
- 810 – Burmester® Surround Sound System
- 889 – KEYLESS-GO

*Beginning 2nd decade of February 2016 production.

P02 – Premium 2 Package

\$4,500

Requires Rearview Camera (218) or Parking Assist Package (996).

*Requires Heated Seats (873) or Heated/Ventilated Seats (401).**

Not with (P01) Premium 1 Package or (P03) Premium 3 Package.

Includes all (P01) Premium 1 Package features except Rearview Camera plus:

- 531 – COMAND Navigation and Voice Control
- 502 – Navigation Map Updates included for 3 years
- 5 years Traffic and Weather Services (provided by SiriusXM®)
- 8.4” High-Resolution Screen
- 448 – Touchpad
- P17 – Hands-Free Access
- 500 – Power Folding Mirrors
- 877 – Ambient Lighting
- 881 – Electronic Trunk Closer

*Beginning 2nd decade of February 2016 production.



Option Packages (continued)

P03 – Premium 3 Package

\$7,400

*Requires Rearview Camera (218) or Parking Assist Package (996).
Requires Heated Seats (873) or Heated/Ventilated Seats (401).**
Not with (P01) Premium 1 Package or (P02) Premium 2 Package.

Includes all (P02) Premium 2 Package features plus:

- 233 – DISTRONIC PLUS with Steering Assist
- 237 – Active Blind Spot Assist *replaces (234) Blind Spot Assist*
- 238 – Active Lane Keeping Assist
- 253 – PRE-SAFE Plus
- P21 – AIR BALANCE
- 640 – Dynamic LED Headlights
- 608 – Adaptive Highbeam Assist

*Beginning 2nd decade of February 2016 production.

315 – AIRMATIC Package

\$1,190

- 483 – DYNAMIC SELECT Adjustable Suspension
- 489 – AIRMATIC Air Suspension
replaces (677) Sport Tuned Suspension or (486) Sport Suspension

996 – Parking Assist Package

\$1,290

Requires Premium 2 (P02) or Premium 3 (P03) Packages.

- 235 – PARKTRONIC with Active Parking Assist
- 501 – Surround View Camera



Option Packages (continued)

321 – Sport Package

\$1,675

Requires (486) Sport Suspension or (315) AIRMATIC Package.

- 772 – AMG Bodystyling
- 51U – Black Headliner
- U09 – Dash with MB-TEX and top-stitching
- Wheel choice of:
 - (782) 18” AMG Wheels
 - (788) 19” AMG Wheels
 with High Performance Tires (+\$500)
- Diamond Grill in Chrome
- Flat Bottom Sport Steering Wheel
- Front brakes with perforated discs
- Aluminum Pedals with Rubber Studs
- AMG Floor mats

521 – Night Package

\$300

Requires (321) Sport Package.

- High-gloss black elements: front wing, lamellas, rear diffuser insert, exterior mirrors, beltline strip and window weather strip
- Wheel choice: (792) 18” AMG wheel with black inserts
(665) 19” AMG wheel with black inserts
with High Performance tires (+\$500)

P88 – Edition #1 Package

(not dealer orderable)

Premium 2 Package plus:

- 297 – *designo* Selenite Grey Magno
- 654 – Nut Brown MB-TEX & Black DINAMICA Upholstery
with Turquoise Stitching
- 736 – Natural Grain Black Ash Wood
- 772 – AMG Sport Bodystyling
- R90 – Unique 19” Twin Spoke Wheels
- U09 – Dash with Black MB-TEX and Top-Stitching

Early Production Option Packages

Due to production constraints, early Premium 2 and Premium 3 Package vehicles are equipped with PARKTRONIC as a part of the premium packages. As a result, two new substitute packages have been created for production lasting through April 1, 2016. **Packages Q02 and Q03 are not dealer orderable.**

Q02 – Premium 2 Package w/ PARKTRONIC

\$4,800

Replaces (P02) through April 1, 2016 production.

Includes all (P01) Premium 1 Package features plus:

- 531 – COMAND Navigation and Voice Control
- 502 – Navigation Map Updates included for 3 years
- 5 years Traffic and Weather Services (provided by SiriusXM®)
- 8.4” High-Resolution Screen
- **235 - PARKTRONIC**
- 448 - Touchpad
- P17 – Hands-Free Access
- 500 – Power Folding Mirrors
- 877 – Ambient Lighting
- 881 – Electronic Trunk Closer

Q03 – Premium 3 Package w/ PARKTRONIC

\$7,700

Replaces (P03) through April 1, 2016 production.

Includes all (P02) Premium 2 Package features plus:

- 233 – DISTRONIC PLUS with Steering Assist
- **235 - PARKTRONIC**
- 237 – Active Blind Spot Assist *replaces (234) Blind Spot Assist*
- 238 – Active Lane Keeping Assist
- 253 – PRE-SAFE Plus
- P21 – AIR BALANCE
- 640 – Dynamic LED Headlights
- 608 – Adaptive Highbeam Assist



Stand-Alone Options/Special Order/Accessories

Stand-Alone Options

XXX	Leather Upholstery (All Colors)	\$1,620
218	Rearview Camera	\$460
242	Passenger Memory Seat w/ Adjustable Thigh Support	\$430
401	Heated and Ventilated Seats <i>Only with Leather Upholstery</i>	\$1,030
463	Head-Up Display <i>Delayed Availability until August 2016 Production</i>	\$990
873	Heated Front Seats	\$580

Special Order Program (*implies \$250 SPC Charge*)

298	Rear Side Airbags	\$420
-----	-------------------	-------

MB Accessories Program

03A	SD-Card for GARMIN® Map Pilot Navigation	\$625
00A*	Illuminated Star <i>Not available with Premium 3 (P03)</i>	\$550
068	Wheel Locks (Black)	\$150
070	Chrome Door Handle Inserts	\$70
104	Rear Decklid Spoiler	\$350
129	Roof and Rear Decklid Spoilers	\$650



Option Packages

P01 – Premium 1 Package

Standard

Requires Heated Seats (873) - standard

- 218 – Rear View Camera
- 234 – Blind Spot Assist
- 536 – SiriusXM® Satellite Radio
- 810 – Burmester® Surround Sound System
- 889 – KEYLESS-GO

P02 – Premium 2 Package

\$2,650

Includes all (P01) Premium 1 Package features plus:

- 531 – COMAND Navigation and Voice Control
- 502 – Navigation Map Updates included for 3 years
- 5 years Traffic and Weather Services (provided by SiriusXM®)
- 8.4” High-Resolution Screen
- 448 - Touchpad
- P17 – Hands-Free Access
- 500 – Power Folding Mirrors
- 877 – Ambient Lighting w/ Illuminated Door Sills
- 881 – Electronic Trunk Closer



Option Packages (continued)

P03 – Premium 3 Package

\$5,550

Includes all (P02) Premium 2 Package features plus:

- 233 – DISTRONIC PLUS with Steering Assist
- 237 – Active Blind Spot Assist *replaces (234) Blind Spot Assist*
- 238 – Active Lane Keeping Assist
- 253 – PRE-SAFE Plus
- P21 – AIR BALANCE
- 640 – Dynamic LED Headlights
- 608 – Adaptive High beam Assist

B28 – AMG Exterior Carbon-Fiber Package

C 43 only

\$1,750

- Exterior mirror housings and rear lip spoiler in carbon fiber

773 – AMG Exterior Carbon-Fiber Package I

C 63/63 S only

\$2,950

- A-Wing in front bumper, side skirts, trim above the rear diffuser in carbon-fiber
- Lamella grille in silver-chrome

B28 – AMG Exterior Carbon-Fiber Package II

C 63/63 S only

\$1,750

- Exterior mirror housings and rear lip spoiler in carbon fiber

996 – Parking Assist Package

\$925

Requires Premium 2 (P02) or Premium 3 (P03) Package.

- 235 – PARKTRONIC with Active Parking Assist
- 501 – Surround View Camera



Option Packages (continued)

521 – AMG Night Package *C 63/63 S only* **\$750**

- P60: High-gloss black elements: A-wing along w/trim strip on front bumper, side skirts, exterior mirror covers, window trim, trim above rear diffuser and exhaust tailpipes
- Lamella grille in silver-chrome

521 – AMG Night Package *C 43 only* **\$200**

- P55: High-gloss black elements: front splitter, rear diffuser insert, exhaust tailpipes

P97 – Edition 1 *C 63 S only (not dealer orderable)* **\$18,075**

Premium 2 Package, plus:

- 297 – *designo* Selenite Grey Magno paint
- Yellow adhesive film stripes on hood, roof behind panorama glass, trunk lid and above side skirts
- RXQ – AMG 19” front/20” rear forged black wheels with yellow rim flange
- U78 – AMG Performance exhaust
- 640 – Dynamic LED headlights
- 608 – Adaptive High beam Assist
- P60 – AMG Night package with chrome exhaust tailpipes instead of black
- AMG Aerodynamics elements in black which include front splitter, unique side skirts, rear bumper inserts, unique rear diffuser and trunk lip spoiler
- B07 - Carbon ceramic front brakes
- 861+555 – AMG Performance seats in Black Nappa w/ diamond pattern and yellow stitching
- H77 – Matte carbon-fiber trim
- Unique AMG Performance steering wheel in full DINAMICA w/ yellow stitching, black 12 o’clock marking and “Edition 1” lettering
- U34 – Dashboard, beltlines and door panels with yellow stitching
- Black floor mats with yellow stitching and “AMG” lettering
- AMG doorsills illuminated in yellow

Stand-Alone Options

Stand-Alone Options		
2xx	Leather Upholstery <i>C 43 only.</i>	\$1,620
8xx	Nappa Leather Upholstery <i>C 63 only. Standard on C 63 S.</i>	\$2,590
555	AMG Performance Seats	\$2,500
401	Heated and Ventilated Front Seats <i>Requires leather upholstery. Not available with AMG Performance seats (555).</i>	\$450
463	Head-Up Display w/AMG Specific Content <i>Delayed Availability until August 2016 Production</i>	\$990
B07	AMG Carbon Ceramic Front Brakes <i>C63 S only</i>	\$5,450
U17	Replace Red or Silver Seatbelts with Black	\$0
U78	AMG Performance Exhaust	\$1,250
U93	AMG Carbon-Fiber Rear Spoiler	\$700
281	AMG Performance Steering Wheel w/ DINAMICA Inserts <i>C 43 and C 63 only. Standard on C63 S</i>	\$500
R03	Extreme Performance "Sport" Tires <i>C 63 S with optional wheels only (766 or 767). While Sport tires may offer enhanced performance in dry conditions, please be aware that they are not recommended for use in cold or wet conditions.</i>	\$600
Y05	Red Seatbelts <i>C 63/63 S only. C 43 standard w/ 641 and 241 upholstery.</i>	\$500



Special Order/Accessories

Special Order Program *(implies \$250 SPC Charge)*

298	Rear Side Airbags	\$420
-----	-------------------	-------

MB Accessories Program

03A	SD-Card for GARMIN® Map Pilot Navigation	\$625
00A	Illuminated Star <i>Not available with Premium 3 package</i>	\$550
068	Wheel Locks	\$150



Specifications

	C300	C300 4MATIC
Engine Configuration	2.0L Turbo I4	2.0L Turbo I4
Power (hp) @ 5,550 rpm	241	241
Torque (lb-ft) @ 1,300 - 4,000 rpm	273	273
Acceleration 0-60mph (sec)	5.9	5.9
Fuel Economy (Cty/Hwy/Com)	23/30/26	23/29/25
Top Speed (mph)	130 (lim.)	130 (lim.)
Fuel Requirement (Octane)	91	91
# Valves per cylinder	4	4
Compression	9.8 : 1	9.8 : 1
Transmission	7-Speed Automatic	7-Speed Automatic
Transmission Speeds	7	7
Drive Configuration	Rear-Wheel Drive	All-Wheel Drive
Standard Front Wheel	7.5 J x 18	7.5 J x 18
Standard Rear Wheel	8.5 J x 18	8.5 J x 18
Standard Front Tire Size	225/45 R 18	225/45 R 18
Standard Rear Tire Size	245/40 R18	245/40 R18
Standard Tire Type	All Season	All Season
Fuel Tank Size including Reserve (gallons)	17.4	17.4
Trunk Size (cubic feet)	10.5	10.5
Curb Weight (lbs)	3,638	3,770
Vehicle Length (in.)	184.5	184.5
Vehicle Width (in.)	71.3	71.3
Vehicle Height (in.)	55.3	55.3
Wheelbase	111.8	111.8
Track Width Front/Rear (in.)	61.53/60.86	61.53/60.86
Turning Circle (ft.)	36.8	36.8
Coefficient of Drag (Cd)	0.2990	0.3010

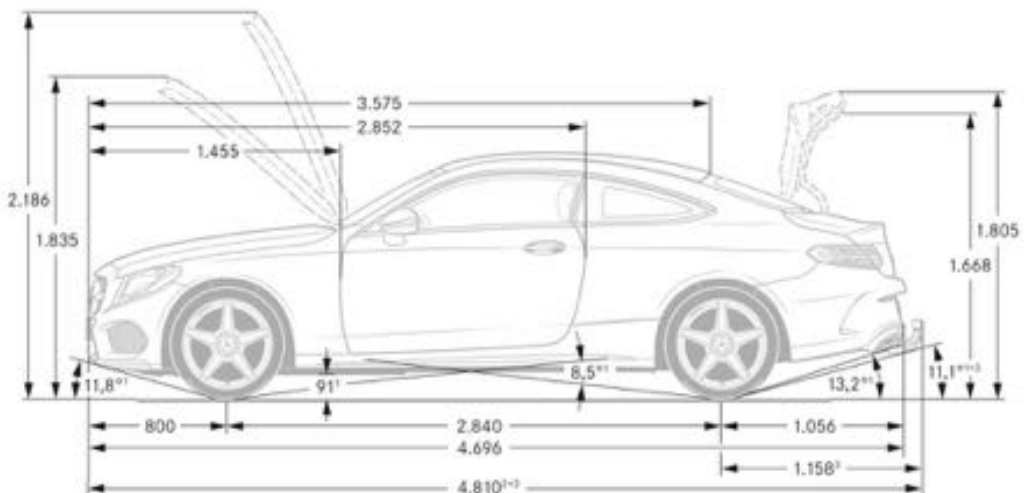
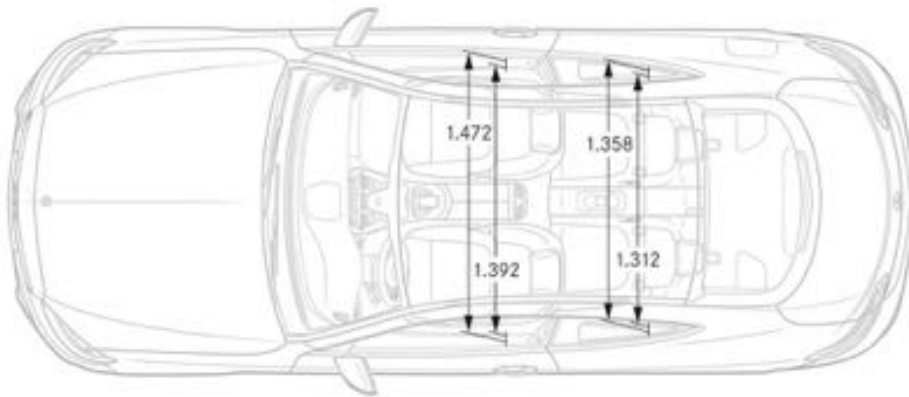
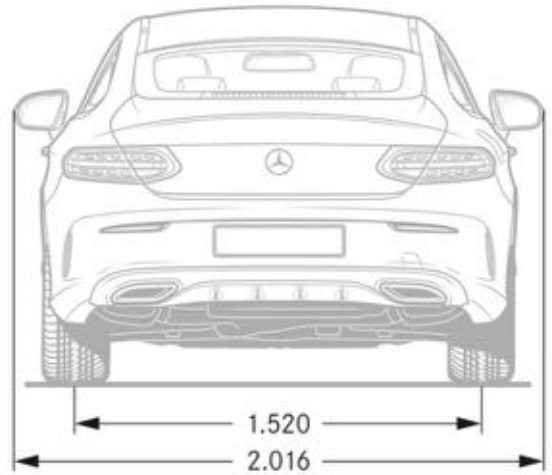
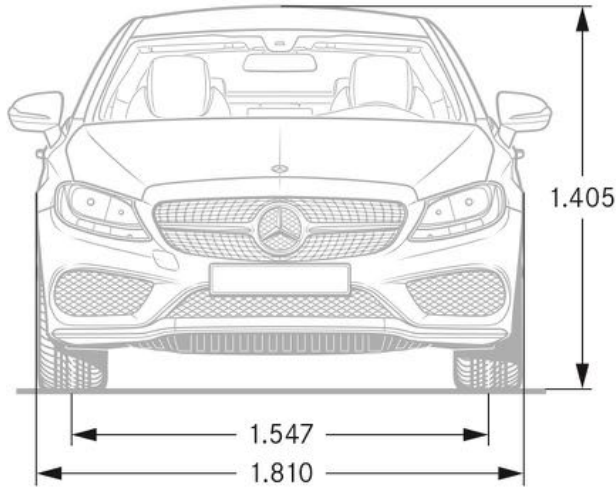


Specifications

	C 43	C 63	C 63 S
Engine Configuration	3.0L V6 biturbo	4.0L V8 biturbo	4.0L V8 biturbo
Power (hp) @ 5,550 rpm	362	469	503
Torque (lb-ft) @ 1,300 - 4,000 rpm	384	479	516
Acceleration 0-60mph (sec)	4.6	3.9	3.8
Fuel Economy (Cty/Hwy/Com)	TBD	TBD	TBD
Top Speed (mph)	130 (lim.)	155 (lim.)	180(lim.)
Fuel Requirement (Octane)	91	91	91
# Valves per cylinder	4	4	4
Compression	10.5 : 1	10.5 : 1	10.5 : 1
Transmission	9G-TRONIC	7 Speed SPEEDSHIFT MCT	7 Speed SPEEDSHIFT MCT
Transmission Speeds	9	7	7
Drive Configuration	All-Wheel-Drive	Rear-Wheel-Drive	Rear-Wheel-Drive
Standard Front Wheel	7.5 J x 18	9 J x 18	9 J x 19
Standard Rear Wheel	8.5 J x 18	10.5 J x 18	10.5 J x 19
Standard Front Tire Size	225/45 R18	255/40 R18	255/35 R19
Standard Rear Tire Size	245/40 R18	285/35 R18	285/30 R19
Standard Tire Type	All-Season Run-Flat	Summer Performance	Summer Performance
Fuel Tank Size / Reserve (gallons)	17.4 / 1.9	17.4 / 2.6	17.4 / 2.6
Trunk Size (cubic feet)	10.5	10.5	10.5
Curb Weight (lbs)	3,935	4,074	4,096
Vehicle Length (in.)	184.9	187	187
Vehicle Width (in.)	71.3	73.9	73.9
Vehicle Height (in.)	55.3	55.1	55.2
Wheelbase	111.8	111.8	111.8
Track Width Front/Rear (in.)	62.1/61.2	64.4/62.7	64.4/62.7
Coefficient of Drag (Cd)	TBD	0.35	0.35

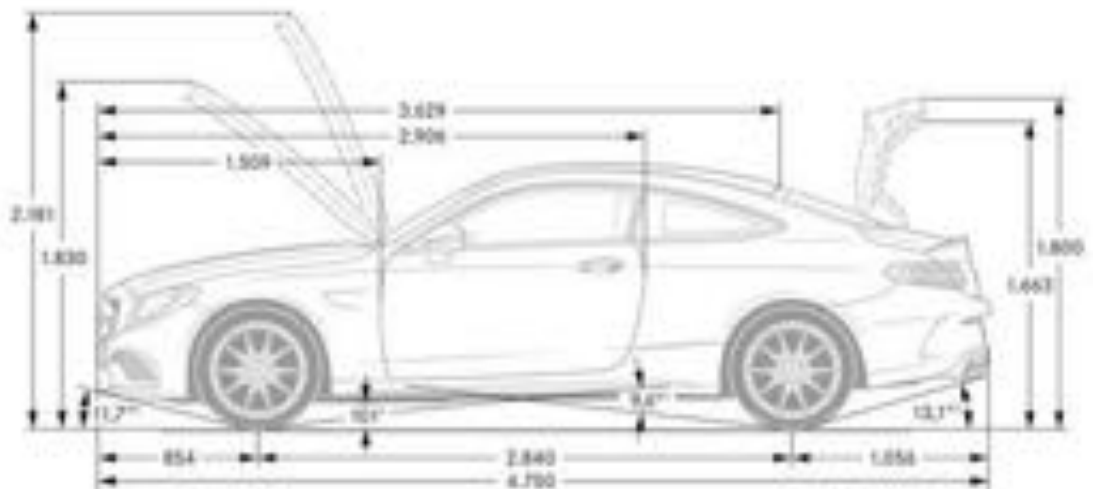
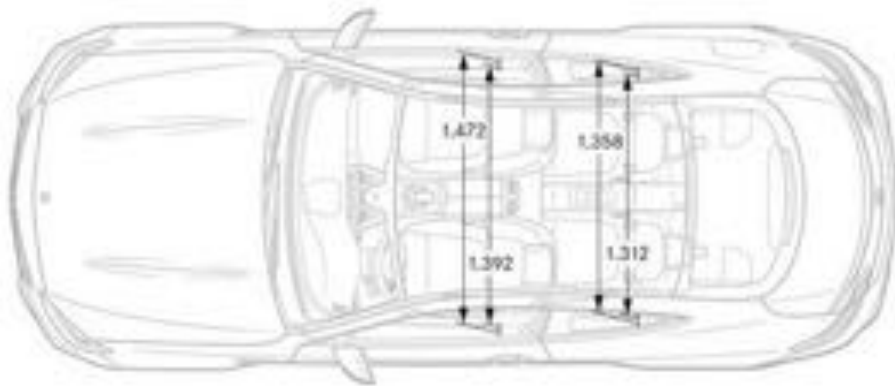
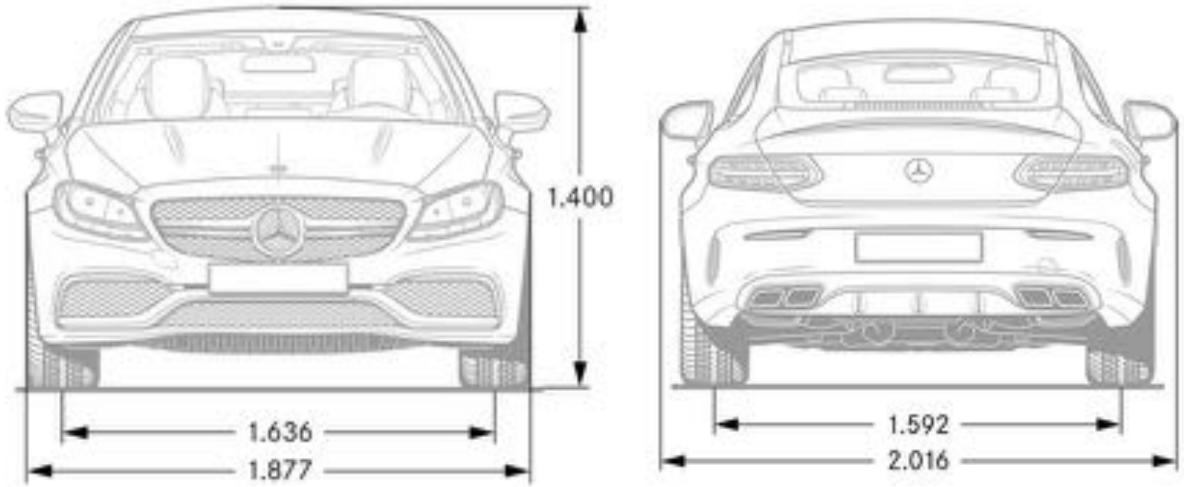


Specifications*



*Values shown in meters

Specifications* C 63/63 S



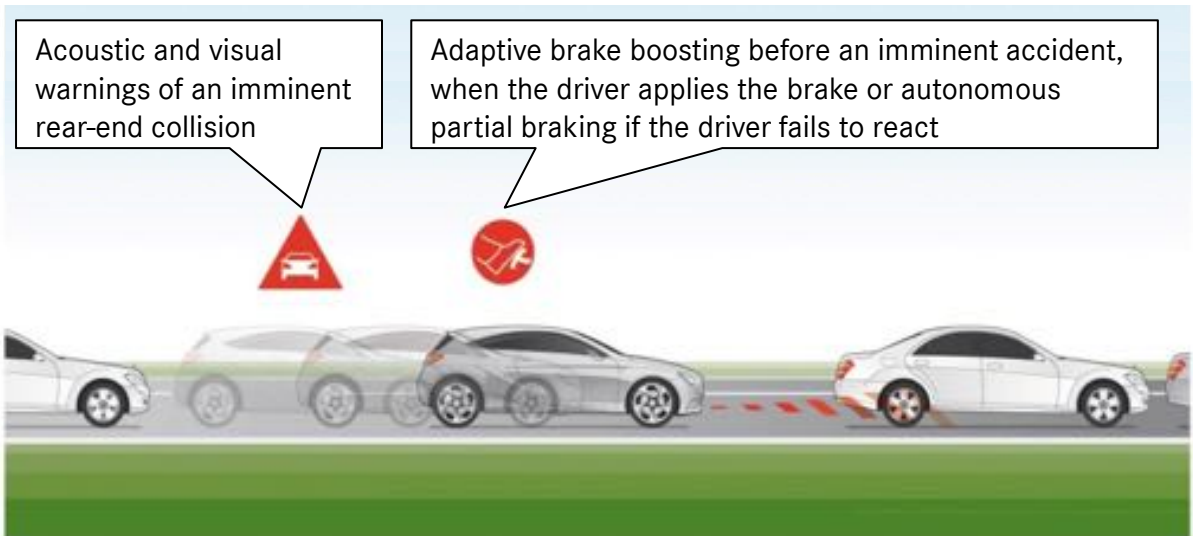
*Values shown in meters



Product Highlights:

COLLISION PREVENTION ASSIST PLUS

Standard on all C-Class Coupes



- Driving assistance system to lessen the danger of rear-end collisions and mitigate the consequences of accidents
- Combination of radar-based distance warning, assisted braking by Adaptive Brake Assist and autonomous partial braking
- Visual warning via a warning light in the instrument cluster when the safe distance to vehicles in front is too low within a speed range between 4 and 155 mph
- An additional audible warning is sounded if the distance continues to close rapidly
- In case of emergency braking by the driver – and if necessary – COLLISION PREVENTION ASSIST PLUS will increase the brake pressure provided by Adaptive Brake Assist to prevent a collision
- Initiation of autonomous partial braking if the driver fails to react within a speed range of 4 and 65 mph



Product Highlights: AIRMATIC Air Suspension



The combination of AIRMATIC air suspension and DYNAMIC SELECT provides for a tailor-made driving experience.

- DYNAMIC air suspension with continuously variable damping control
- DYNAMIC SELECT with four different transmission modes (adjustment of parameters such as engine, transmission, suspension, steering, air conditioning or ECO start/stop function)
- The individual parameters are set via the controller and the configuration menu in the head unit
- Display of the selected transmission mode in the instrument cluster and head unit



Product Highlights: Head-Up Display

Optional for all C-Class Coupes



Keeping an eye on key information and the road ahead:

- Key driver information at a glance, without the driver having to take their eyes off the road
- Projection of a virtual image measuring approximately 8.2 x 2.8 inches into the driver's field of vision, which appears to float around 6.5 feet in front of him/her, above the bonnet.
- Information is displayed in high-resolution and in color.
- Depending on equipment, the information displayed may include navigation tips, speed, speed limits or settings for cruise control or DISTRONIC PLUS.
- Special light sensor adjusts the brightness of the display to suit the ambient light conditions.
- Height of the display can be adjusted, making it easy to read for drivers of all sizes.



Product Highlights: Ambient Lighting

Optional for all C-Class Coupes



Climb in and feel at home – with its pleasant, indirect light, the ambient lighting creates an unrivalled sense of well-being in the interior. Especially at night, it accentuates the contouring and high quality of the interior design.

Three different colors and five dimming levels are available for the desired lighting mood:

- neutral (white)
- solar (amber)
- polar (ice blue)



Gallery

C300 – Premium 3, 22R Wheel



C300 Sport Package - 321



Gallery

654A/736/P88- Nut Brown MB-Tex, Natural Grain Black Ash



Gallery

C 63 S Edition 1 Exterior



Gallery

C 63 S Edition 1 Exterior and Interior



Gallery

C 63 S Edition 1 Interior



Gallery

C 63 S Edition 1 Wheels



Gallery

C 63



Gallery

C 63 S – 521, 773 & B28 – AMG Night Package , Carbon Fiber package I & II



Gallery

Trims – Silver Fiberglass (H84)



Gallery

Trims – Carbon Fiber (H73)



Gallery

Trims – Matte Carbon Fiber (H77) – C 63 S Edition 1 Only



Gallery – C 43



Gallery – C 43



Gallery – C 43



Gallery – C 63 S



Gallery – C 63 S



Gallery – C 63 S



Gallery – C 63 S



Gallery - C 63 S

