



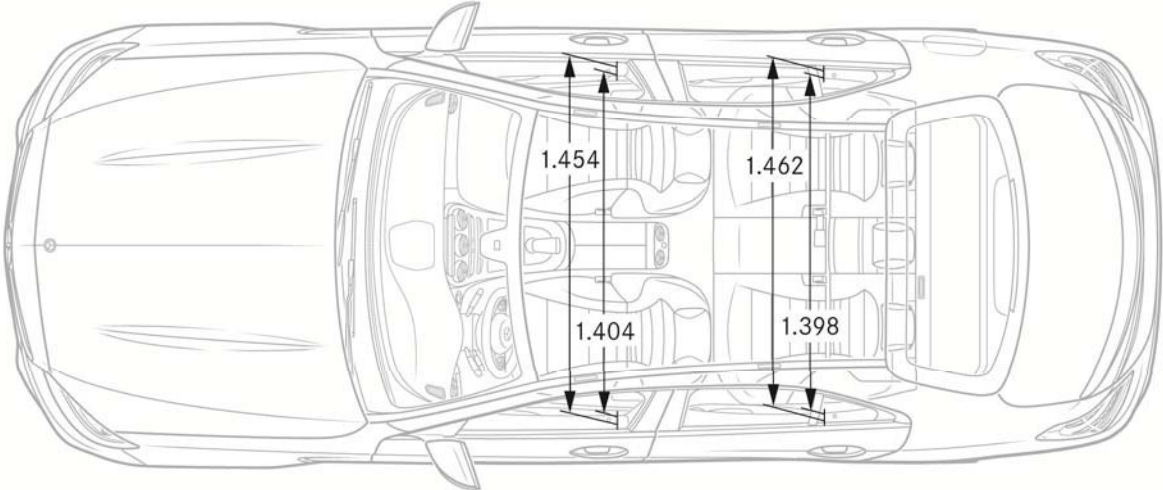
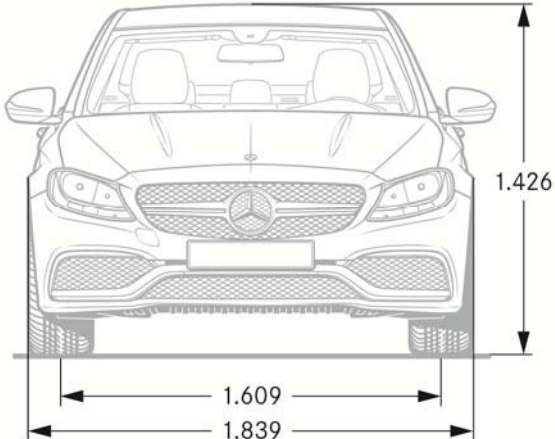
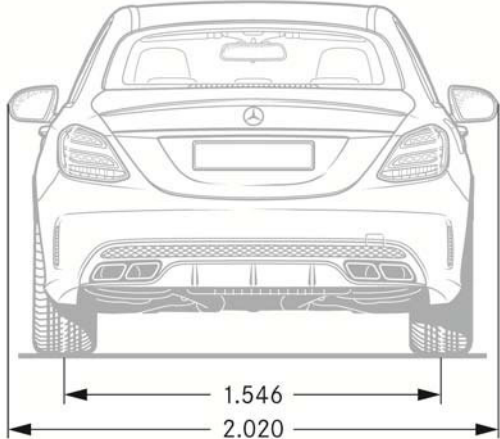
2015 Mercedes-AMG C63 & C63 S Dealer Ordering Guide



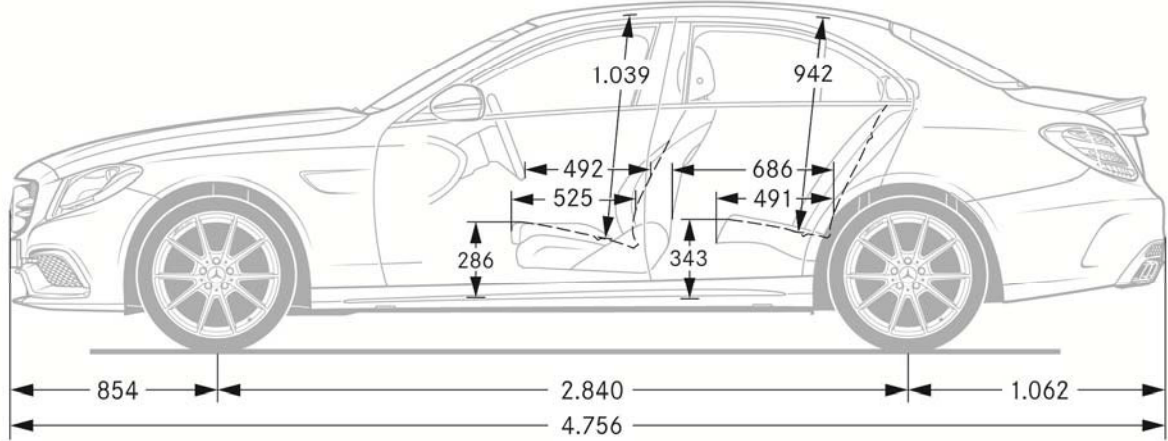
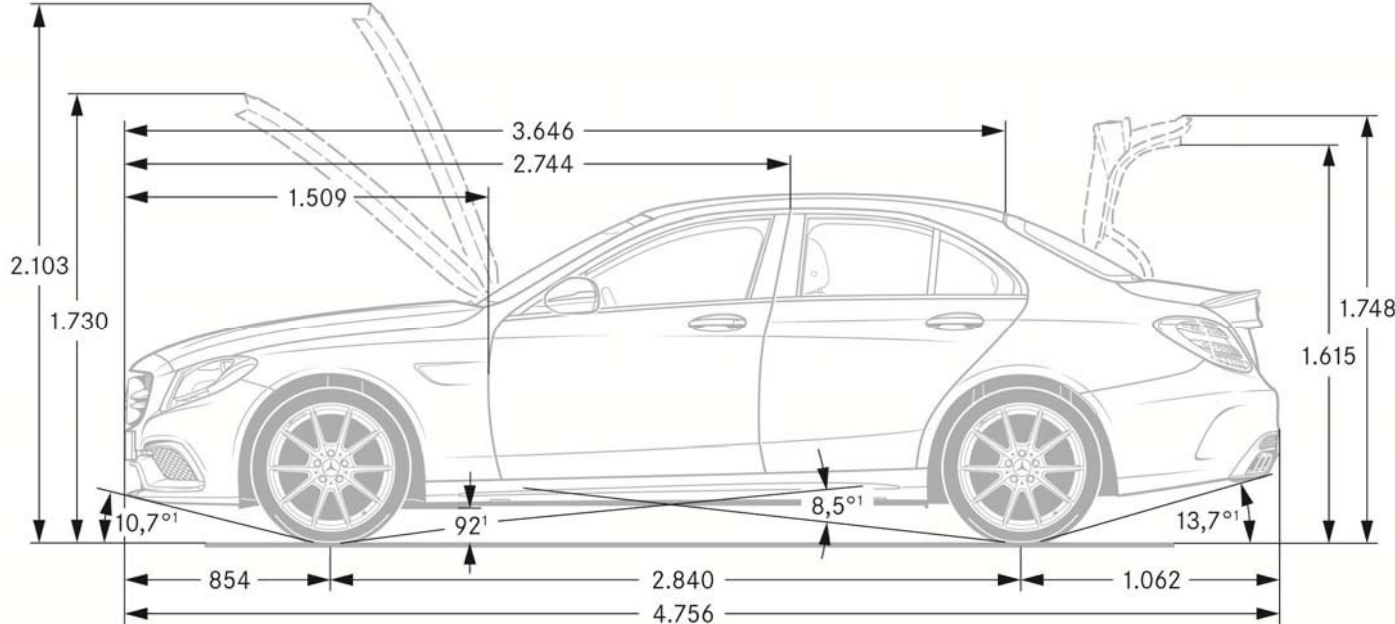
Mercedes-Benz

v1.0

Mercedes-AMG C63 & C63 S - Dimensions



Mercedes-AMG C63 & C63 S - Dimensions



2015 Mercedes-AMG C63 & C63 S

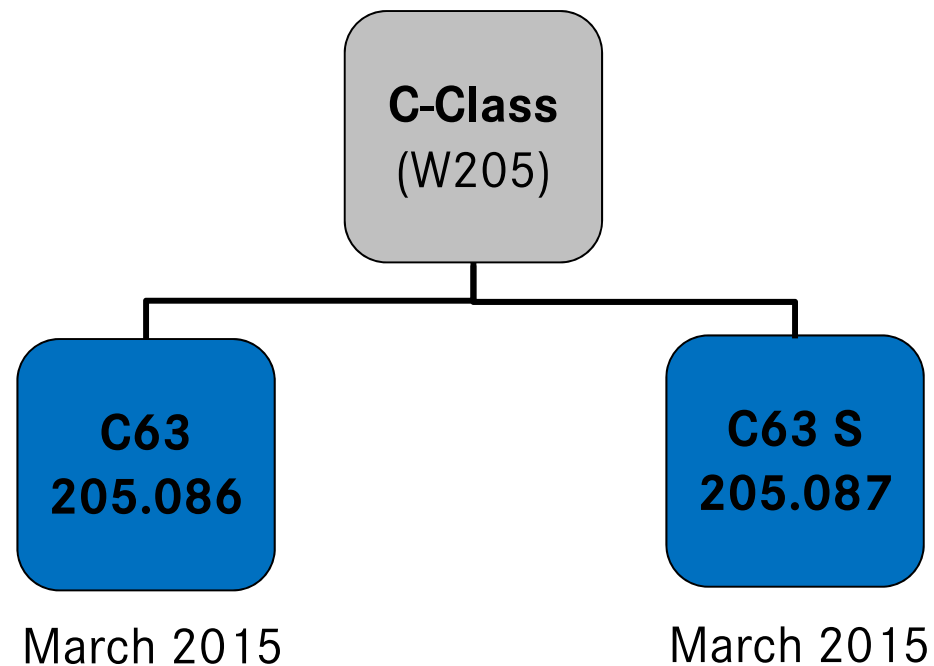
Press Announcement Day: September 24, 2014

USA debut: LA Auto Show – November 2014

Order Banks Open: December 2014

Start of production (in Tuscaloosa, Alabama): March 2015

Retail Release: March 2015



New AMG Nomenclature

Starting with the C190 & W205, AMG models will be called: Mercedes-AMG

Example:

- Mercedes-AMG C63
- Mercedes-AMG C63 S



AMG and Model Badge change sides

C63 vs C63 S - Exterior Differentiation

C63

Body Color A-Wing
Insert



C63 S

Gloss Black A-Wing
Insert



C63 vs C63 S - Exterior Differentiation

C63

Body Color A-Wing
Insert



C63 S

Gloss Black A-Wing
Insert



C63 vs C63 S - Exterior Differentiation

C63



790 – 18" Twin 5-Spoke Wheel
- Standard for C63 -

Grey Brake Calipers

No Rocker Panel Insert

C63 S



793 – 19" Twin 5-Spoke Wheel
- Standard for C63 S -

Red Brake Calipers

Rocker Panel Insert in Chrome
Shadow

C63 vs C63 S - Exterior Differentiation

C63



Diffuser Trim in Black

C63 S



'S' Badge

Diffuser Trim in
Chrome Shadow

Mercedes-AMG C63 & C63 S – Wheel Selections

Dimensions

18" Wheels

245/40 R18 – Front
265/35 R18 – Rear

19" Wheels

245/35 R19 – Front
265/35 R19 – Rear



790 – 18" AMG Twin 5-Spoke
C63 - Standard / C63 S - N/A



662 – 19" AMG Cross-Spoke Forged – Black
C63 & C63 S - \$TBA



793 – 19" AMG Twin 5-Spoke
C63 - \$TBA / C63 S - Standard



770 – 19" AMG Cross-Spoke Forged – Titanium
C63 & C63 S - \$TBA



P60 – AMG Night Styling - \$TBA

Gloss Black Window Frames

Gloss Black Mirror Cover

Gloss Black A-Wing Insert & Trim

Gloss Black Rocker Panel Insert



Diffuser Trim in Gloss Black

Quad Trapezoid Tailpipes in Black Chrome



Mercedes-AMG C63 & C63 S – Brake Calipers



Grey Brake Calipers
C63 - Standard
C63 S - N/A



U70 – Red Brake Calipers
C63 - \$TBA
C63 S - Standard

B07 – AMG Carbon Ceramic Braking System - \$TBA (C63 S Only)

Specifications:

Front:

- 15.8" Carbon Ceramic Perforated & Ventilated 2-Piece Rotor
- 6 Piston Fixed Caliper

Rear:

- 14.2" Steel Perforated & Ventilated Rotor
- Single Piston Floating Caliper



B07 – AMG Carbon Ceramic Braking System
\$TBA

Mercedes-AMG C63 S – Edition 1

USA debut: LA Auto Show – November 2014

Volume: 380 units (1 per dealer)

Specification: Specification is fixed with dealer choice of 5 exterior colors

Delivery: Deliveries starting at retail launch with final delivery by July 2015

MSRP: \$TBA



AMG







Image Gallery

AMG





AMG



AMG



AMG