



<i>Sport</i>		
<i>Option</i>	<i>Name</i>	<i>Code</i>
<b>Paint</b>	Polar White	149
<b>Upholstery</b>	Magma Grey Leather	228
<b>Trim</b>	Natural Grain Grey Oak	H31
<b>Wheels</b>	19" AMG Twin 5-Spokes w/ Black Accents	604
<b>Packages</b>	AMG Line	321
	Night Package	521
	Premium Package	P01
	Driver Assistance Package	997
	Multimedia Package	320
	Exterior Lighting Package	319
	Leather Seating Package	318
	Parking Assist Package	996
<b>Options</b>	Heated & Ventilated Seats	401
	Head-Up Display	463
	12.3" Digital Instrument Cluster	464
	MB-Tex Dashboard	U09
	Wheel Locking Bolts	068

<i>Classic</i>		
<i>Option</i>	<i>Name</i>	<i>Code</i>
<b>Paint</b>	Mojave Silver Metallic	859
<b>Upholstery</b>	Black Leather	201
<b>Trim</b>	Natural Grain Lined Walnut & Aluminum	H33 + 739
<b>Wheels</b>	19" 10-Spoke Wheels	R09
<b>Packages</b>	Premium Package	P01
	Driver Assistance Package	997
	Leather Seating Package	318
	Multimedia Package	320
	Parking Assist Package	996
<b>Options</b>	12.3" Digital Instrument Cluster	464
	64-Color Ambient Lighting	877
	Illuminated Door Sills	U25
	Heated & Ventilated Seats	401
	Heated Steering Wheel	443
	12.3" Digital Instrument Cluster	464
	Head-Up Display	463
	Wheel Locking Bolts	068

# AMG C-Class Coupe



C205

Model Year 2019

Pricing Preliminary

**AMG**  
DRIVING PERFORMANCE

## C43, C63 & C63S



Models



What's new



Standard Equipment



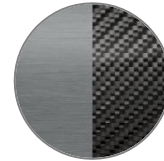
Exterior Paint Colors



Wheels



Interior Upholstery



Interior Trims



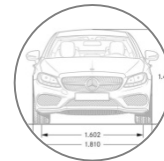
Option Packages



Stand-Alone Options



Options in Detail



Specifications



## *AMG C43 (205.364)*

- MSRP \$57,450
- AMG-enhanced 3.0L V6 biturbo engine
- 385 hp
- 384 lb-ft
- 4.5 sec (0-60 mph)
- Launch Date Q3 2018



## *AMG C63 (205.386)*

- MSRP \$68,750
- Handcrafted AMG 4.0L V8 biturbo engine
- 469 hp
- 479 lb-ft
- 3.8 sec (0-60 mph)
- Launch Date Q4 2018



## *AMG C63 S (205.387)*

- MSRP \$76,450
- Handcrafted AMG 4.0L V8 biturbo engine
- 503 hp
- 516 lb-ft
- 3.7 sec (0-60 mph)
- Launch Date Q4 2018

## *Standard Equipment*

- New AMG SPEEDSHIFT® MCT 9-Speed transmission on C63/C63 S
- Renamed AMG SPEEDSHIFT® TCT 9-Speed transmission on C43
- C63 S: AMG DRIVE UNIT (U88) incl. AMG TRACTION CONTROL carried over from GT R
- Smartphone Integration (Apple CarPlay™ & Android Auto) becomes standard
- 10.25" Center Screen becomes standard
- Updated steering wheel w/ haptic feedback touchpads and cruise control buttons
- AMG-Specific Grille on C63 variants (new for C-Class)
- New rear apron and diffuser
- New SmartKey in black with AMG crest and AMG lettering
- Power output increases +23hp to 385 hp on C43
- Redesigned LED Headlamps and Taillamps
- New tailpipe designs (double pipes on C43, angular on C63 variants)
- Electronic limited slip differential standard on C63
- Wood trim now standard
- Addition of "Slippery" mode to AMG DYNAMIC SELECT
- C63/C63 S: U78 AMG Performance Exhaust System now standard

## *Optional Equipment*

- New wheel designs in 18" and 19" variants
- 12.3" Digital Instrument Cluster (464) now available
- Advanced Lighting Package changed to Exterior Lighting Package and updated to include LED Intelligent Light System and Adaptive Highbeam Assist
- 64-Color Ambient Lighting & AMG Illuminated Door Sills (877+U25) now available as a stand-alone
- New steering wheels options, including full DINAMICA & wheels with wood or carbon trim
- AMG DRIVE UNIT option available on all 63 model steering wheels for added functionality (standard on C63 S)
- Natural Grain Grey Oak Wood Trim (H31) replaces Natural Grain Brown Ash Wood (H09)
- Natural Grain Walnut Wood Trim (H33) now available
- C43: Magma Grey Leather (228) replace Crystal Grey upholstery
- C63/C63 S: New upholstery Magma Grey/Black with Yellow Stitching (858)
- Inductive Wireless Charging and NFC Pairing (897) available as a stand-alone
- 322 AMG Performance Studio Package with new components including AMG Optics Package (36P)
- AMG Performance Seats (555) now available with seat heating and ventilation

## *Paints*

- Graphite Grey Metallic (831) replaces Diamond Silver Metallic
- Mojave Silver Metallic (859) replaces Dakota Brown Metallic

## Smartphone Integration (14U)

Standard equipment

Includes Android Auto and Apple CarPlay



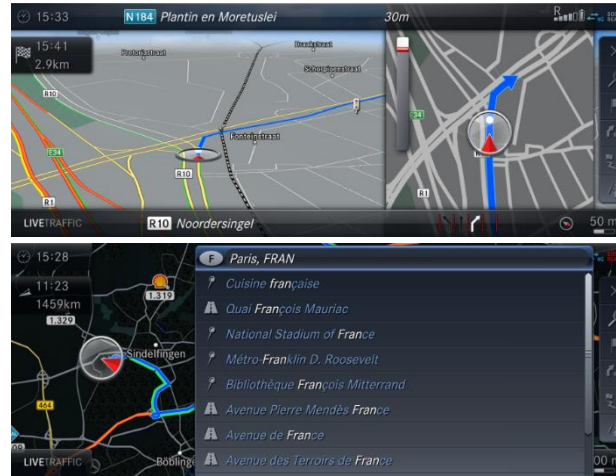
Smartphone Integration makes safe use of mobile devices possible while on the move. The connection to the smartphone allows access to up-to-date software and data such as navigation and traffic information, media (streaming media and IP radio) as well as contact data and messaging. To prevent driver distraction while on the move, there is no complete duplication of smartphone content.

*A data connection via the mobile phone is necessary for certain functions. The functions supported also depend on the smartphone. The information provided by the smartphone manufacturer will also indicate the compatible devices and functions.*

## MB Entry Navigation (26A)

Requires Pre-Installation for SD Card Navigation (355)

Option price: \$625



Mercedes-Benz has developed an in-house navigation system via an SD card with the same look and feel as the high-end COMAND Navigation and with similar functionality. This replaces the outgoing Garmin SD-Card Navigation. The MB Entry Navigation is capable of route guidance with an estimated 25% speed increase.

*Please note that the card must be ordered with the 355 Pre-Installation for SD-Card Navigation before MB Entry Navigation can be loaded onto the vehicle. The dealer or VPC can install MB Entry Navigation.*

## Multimedia Package (320)

Option price: \$2,300



The Multimedia Package offers the latest in headunit and navigation software for the C-Class. COMAND has been upgraded to NTG 5.5 - the same level as the E-Class and S-Class, and includes Enhanced Voice Control. Full maps with 3D capability and 3 years of free updates are included as well as SNAP overlays for gas prices, weather, parking availability, and more. Live Traffic information and Car-to-X Communication are also included alongside COMAND.

*This package also includes the Central Controller and Touchpad as well as the larger, 10.25" central display.*

**Multimedia Package is required for the Driver Assistance Package and the Digital Instrument Cluster (464) as well as any online functions like MB Apps and WiFi.**

## *Enhanced Voice Control*



### **Operate COMAND® and vehicle functions safely and conveniently via Voice Control**

*Included in Multimedia Package*

The voice-operated control system allows the multimedia system and now some of the vehicle functions to be operated while driving with as little distraction as possible. Activating Voice Control by pressing the button on the right of the multifunction steering wheel enables the driver to keep their hands on the steering wheel. The system is switched off via the back button on the steering wheel or pressing the same Voice Control button.

### **Typical commands for the system include:**

- "Navigate to address, POI, contact" - this universal command enables input of all types of destinations and initiates a search through the address book contacts, the navigation database and also on the internet for Points Of Interest
- "Call name (or) number" - this command allows an address book contact as well as a phone number to be called
- "Station name" - this command allows an available station name to be selected when the radio is switched on

### **But now, in-vehicle functions can be controlled as well. For example:**

- "Turn seat heating on"
- "Change ambient light to blue"
- "Set climate control to 68 degrees"

Vehicle functions can also be controlled with commands such as "Show me the climate control settings menu" or "Start massage". Voice Control can also be used for controlling Mercedes-Benz Apps. For example with commands such as "Find a nearby restaurant" in the POI search.

## LED Headlamps (632) & LED Intelligent Light System (640)



### **LED Headlamps (632)**

#### *Standard*

- Redesigned LED headlamps are now standard equipment improving the look of the standard C-Class as well as providing increased safety due to brighter and higher quality headlamps.



### **LED Intelligent Light System with Ultra Wide Beam (640)**

#### *Optional*

- Redesigned headlamp incorporates updated technology and look for the C-Class
- Ultra Wide Beam produce light at an increased width for maximum illumination of the road and surround area
- Adaptive Highbeam Assist is part of the LED Intelligent Light System and allows drivers to drive with highbeams activated at all times. System will automatically deactivate highbeams in the presence of oncoming traffic so as not to blind oncoming drivers.



## *New Generation Sport Steering Wheel*



### **AMG Performance Steering Wheel**

#### *Standard*

The newly redesigned 3-spoke multifunction steering wheel in nappa leather combines a sporty design, compact dimensions and fine materials.

- Silver-colored steering wheel shift paddles integrated into the back of the steering wheel cross spokes enable manual gear shifting and support a sporty driving style.
- Flat-bottom design
- Optional Active Distance Assist DISTRONIC® or standard cruise control is controlled via steering wheel-mounted controls.
- Touch Control buttons for direct control of the instrument cluster (analogue or digital) and to control the functions of the multimedia system.

## *Inductive Wireless Charging and NFC Pairing*



### **Inductive Wireless Charging and NFC Pairing (897)**

*Option price: \$170*

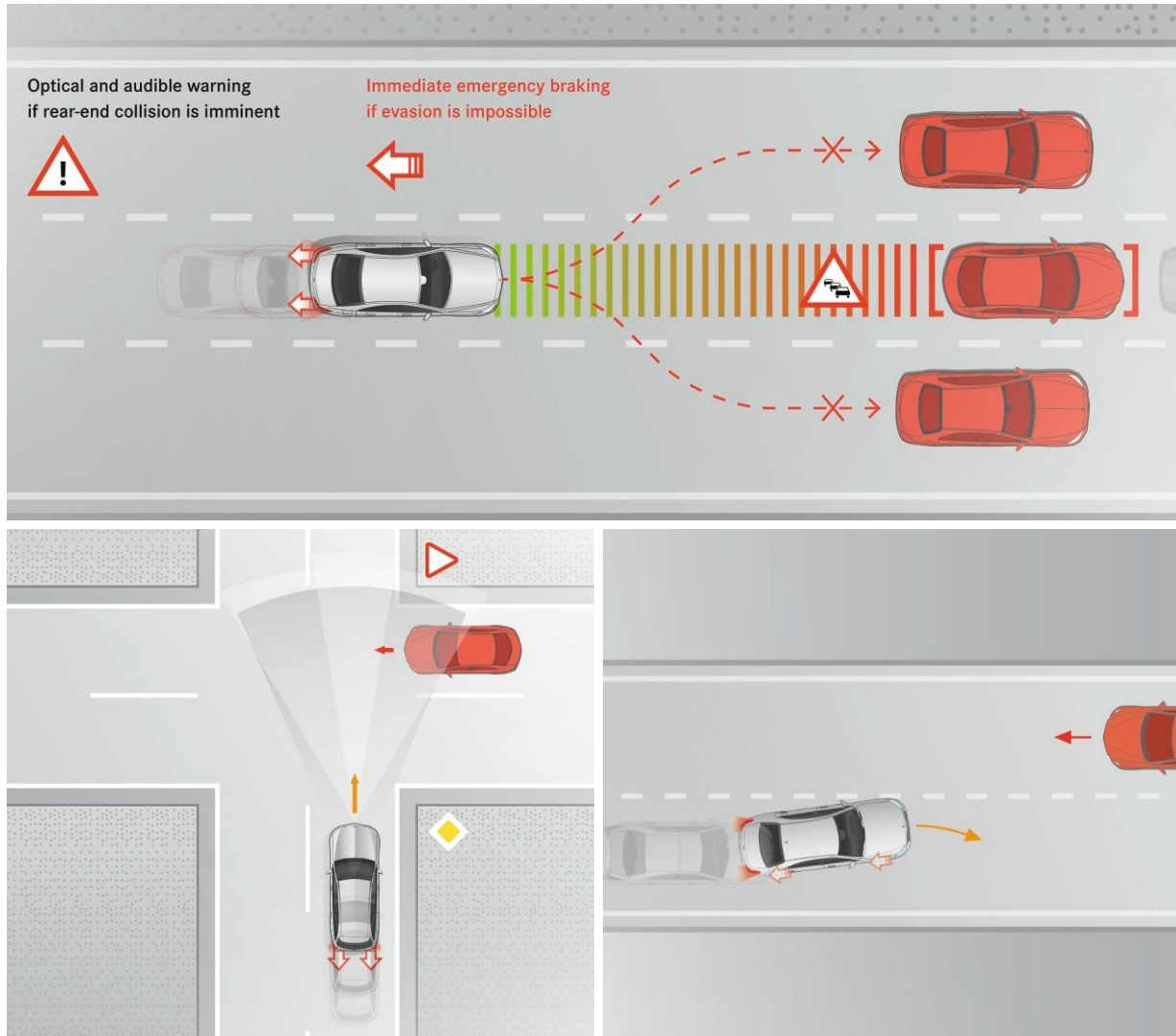
Driving time becomes charging time - with just a simple hand movement your smartphone can be fixed in place in the center console where it is charged wirelessly. Irrespective of the model and brand, all smartphones meeting the Qi standard are charged wirelessly.

#### Components:

- Wireless charging for numerous mobile phones that support or can be upgraded to support the Qi standard
- Quick establishment of connection between the multimedia system and mobile phone via Near Field Communication (NFC) for mobile device identification
- Charging area in the front tray in the center console for mobile devices



## Driver Assistance Systems



### Driver Assistance Package (997)

Option price: \$1,800

- **Active Distance Assist DISTRONIC®** is able to follow a vehicle in front at a pre-selected distance at wider range of speeds
- **Active Steering Assist** functions at a wider range of speeds and can now actively intervene even if road lines are unclear or non-existent at certain speeds; can now function in curves with a tighter radius
- **Active Emergency Stop Assist** brakes the vehicle to a standstill in its lane if it detects that the driver is no longer actively driving the vehicle while it is on the move with Active Distance Assist DISTRONIC and Active Steering Assist engaged. Can now unlock the doors when the vehicle is stationary to allow first aid responders immediate access to the vehicle's interior. With available mbrace® Secure, the system simultaneously makes an emergency call
- **Active Lane Change Assist** is a radar-and-camera-based system that aids the driver when changing lanes. When a turn is indicated, this feature will aid with steering into the adjacent lane if it detects the lane is empty
- **Active Speed Limit Assist** can adapt vehicle speed to identified speed limits and can now adjust preemptively when speed limits are going to change
- **Route-Based Speed Adaptation** the vehicle is now able to reduce the speed in anticipatory mode by referencing the COMAND map data ahead of bends, junctions, roundabouts, toll booths and exit roads.
- **Active Brake Assist with Cross-Traffic Function**
- **Evasive Steering Assist** this system assists by adding calculated steering torque to aid in steering wheel movement when a driver deliberately or instinctively performs an evasive maneuver around a pedestrian
- **Active Blind Spot Assist** is active at a wider range of speeds and informs the driver to help avoid an imminent side impact by single-sided braking
- **Active Lane Keeping Assist** is active now at a wider range of speeds

## *Performance & Handling*

- C43: AMG SPEEDSHIFT® TCT 9-speed transmission
- C63 / C63 S: AMG SPEEDSHIFT® MCT 9-speed transmission
- AMG RIDE CONTROL sport suspension with adaptive 3-stage damping
- AMG DYNAMIC SELECT
- C43: AMG Performance 4MATIC
- C63 / C63 S: AMG Electronic limited-slip differential
- C63 S: Dynamic Engine Mounts
- C43/C63: 18" Wheels
- C63 S: 19" Wheels
- C63 / C63 S: AMG Performance Exhaust System

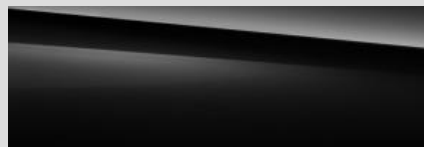
## *Comfort & Convenience*

- KEYLESS START
- KEYLESS-GO
- Two USB Ports
- Bluetooth® Technology (for Handsfree Phone Use/Audio Streaming)
- HD Radio
- SiriusXM Satellite Radio
- Burmester® Surround Sound System
- Power and Heated Front Seats with Memory
- 4-way Lumbar Support
- Power Tilt & Telescoping Steering Column
- Power-Folding Mirrors
- Electronic Cruise Control
- 10.25" Media Display w/ central controller
- AMG Performance Steering Wheel
- C63 S: AMG DRIVE UNIT
- Dual-zone Automatic Climate Control
- Garage Door Opener
- Intermittent Wipers with Rain Sensor
- Automatic Seatbelt Extender
- Panorama Sunroof
- LED Headlamps and taillights
- Auto-Dimming Driver & Rearview Mirror
- Front and Rear Cupholders
- Split-Folding Rear Seats (40/20/40)
- HANDS-FREE ACCESS
- Electronic Trunk Closer

## *Safety & Security*

- New Vehicle 4 Year/50,000 Mile Warranty
- 24h Roadside Assistance Program
- 3-point Seat Belt with Pretensioners & Dual-Stage Belt Force Limiter
- Front Dual-Stage Airbags
- Front and Rear Side Window Airbags
- Front Side Airbags
- Driver & Passenger Kneebags
- Blind Spot Assist
- ISOFIX Anchor and Tether System
- ATTENTION ASSIST Driver Drowsiness Monitor
- Active Brake Assist
- PRE-SAFE
- Smart Key with Panic Button
- Tire Pressure Monitoring System
- Anti-theft Alarm System
- Rearview Camera

## Non-metallic Paints



040  
Black  
*Option price: \$0 (C 43 only)*



149  
Polar White  
*Option price: \$0*

## Metallic Paints



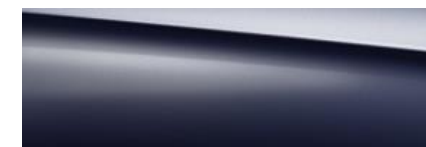
197  
Obsidian Black  
*Option price: \$720*



775  
Iridium Silver  
*Option price: \$720*



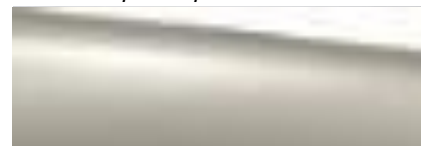
831  
Graphite Grey  
*Option Price: \$720(C 43 only)*



890  
Lunar Blue  
*Option price: \$720(C 43 only)*



896  
Brilliant Blue  
*Option price: \$720*



859  
Mojave Silver  
*Option Price: \$720(C 43 only)*



992  
Selenite Grey  
*Option price: \$720*

## designo® Paints



297  
Selenite Grey  
Magno  
*Option price:  
\$2,020*



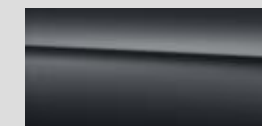
996  
Cardinal Red  
*Option price:  
\$1,080 (C 43 only)*



799  
Diamond White  
*Option price: \$1,515*



982  
Iridium Silver Magno  
*Option price: \$2,020  
(C 63/63S only)*



818  
Graphite Grey  
Magno  
*Option price: \$2,020  
(C 63/63S only)*

*\*Only available until September 2018 production*



**RSJ**  
18" 5-Spoke  
R02, R66  
*Option price: \$0*  
*C 43 only*



**605**  
19" Multispoke  
R01, R66  
*Option price: \$850*  
*C 43 only*



**RSU**  
19" AMG Twin 5-Spoke  
R01, R66  
*Option price: \$850*  
*C 43 only*



**RSV**  
19" AMG Twin 5-Spoke  
w/Black Accents  
R01, R66  
*Option price: \$850 (C 43 only)*



**RVD**  
19" Multispoke, Black  
R01, R66  
*C 43 only; Must have 322 pkg.*



**RUP**  
18" AMG 10-Spoke  
R01, B51  
*Option price: \$0*  
*C 63 only (std)*



**RSW**  
19" AMG Twin 5-Spoke  
R01, B51  
*Option price: \$850/\$0*  
*C 63/63 S only*  
*(std on 63 S)*



**770**  
19" AMG Forged Cross-Spoke  
R01, B51  
*Option price: \$1,950*  
*C 63 only*



**662**  
19" AMG Forged Cross-Spoke,  
Black  
R01, B51  
*Option price: \$2,450*  
*C 63 only*



RXC  
19"/20" AMG Forged Twin 5-  
Spoke, Black  
R01, B51  
*Option price: \$2,100*  
*C 63 S only*

766  
19"/20" AMG Forged Cross-Spoke  
R01, B51  
*Option price: \$1,600*  
*C 63 S only*

767  
19"/20" AMG Forged Cross-Spoke,  
Black  
R01, B51  
*Option price: \$2,100*  
*C 63 S only*

<i>Code</i>	<i>Wheel Size</i>	<i>Description</i>	<i>Wheel Dimensions</i>	<i>Mobility</i>	<i>Availability</i>	<i>MSRP</i>
RSJ	18"	5-Spoke Wheel	225/45 R18 on 7.5 J x 18 ET33 (Front) 245/40 R18 on 8.5 J x 18 ET49 (Rear)	R02, R66	C 43 only	\$ 0
605	19"	Multispoke	225/40 R 19 on 7.5 J x 19 H ET36 (Front) 255/35 R 19 on 8.5 J x 19 H ET52 (Rear)	R01, R66	C 43 only	\$ 850
RVD	19"	Multispoke, Black	225/40 R 19 on 7.5 J x 19 H ET36 (Front) 255/35 R 19 on 8.5 J x 19 H ET52 (Rear)	R01, R66	C 43 only	\$ 1,350
RSU	19"	Twin 5-Spoke	225/40 R 19 on 7.5 J x 19 H ET33 (Front) 255/35 R 19 on 8.5 J x 19 H ET49 (Rear)	R01, R66	C 43 only	\$ 850
RSV	19"	Twin 5-Spoke w/Black Accents	225/40 R 19 on 7.5 J x 19 H ET33 (Front) 255/35 R 19 on 8.5 J x 19 H ET49 (Rear)	R01, R66	C 43 only	\$ 850
RUP	18"	AMG 10-Spoke	255/40 R 18 on 9.0 J x 18 ET25 (Front) 285/35 R 18 on 10.5 J x 18 ET 57 (Rear)	R01, B51	C 63 only	\$ 0
RSW	19"	AMG Twin 5-Spoke	245/40 R 19 on 9.0 J x 19 ET45 (Front) 265/35 R 19 on 10.5 J x 19 ET 56 (Rear)	R01, B51	C 63 C 63 S	\$ 850 \$ 0
770	19"	AMG Forged Cross-Spoke	245/40 R 19 on 9.0 J x 19 ET45 (Front) 265/35 R 19 on 10.5 J x 19 ET56 (Rear)	R01, B51	C 63	\$ 1,950
662	19"	AMG Twin 5-Spoke, Black	245/40 R 19 on 9.0 J x 19 ET45 (Front) 265/35 R 19 on 10.5 J x 19 ET56 (Rear)	R01, B51	C63	\$ 2,450
766	19"/20"	AMG Forged Cross-Spoke	255/35 R 19 on 9.0 J x 19 ET25 (Front) 285/30 R 20 on 10.5 J x 20 ET 57 (Rear)	R01, B51	C 63 S only	\$ 1,600
767	19"/20"	AMG Forged Cross-Spoke, Black	255/35 R 19 on 9.0 J x 19 ET25 (Front) 285/30 R 20 on 10.5 J x 20 ET 57 (Rear)	R01, B51	C 63 S only	\$ 2,100
RXC	19"/20"	AMG Forged Twin 5-Spoke, Black	255/35 R 19 on 9.0 J x 19 ET25 (Front) 285/30 R 20 on 10.5 J x 20 ET 57 (Rear)	R01, B51	C 63 S only	\$ 2,100





641

Black MB-TEX/DINAMICA w/Red Topstitching  
*Option price: \$0*  
*C 43 only*



641+555

Black MB-TEX/DINAMICA w/Red Topstitching  
w/ AMG Performance Seats  
*Option price: \$2,500*  
*C 43 only*



611

Black MB-TEX/DINAMICA  
*Option price: \$0*  
*C 63 only*



611+555

Black MB-TEX/DINAMICA  
w/ AMG Performance Seats  
*Option price: \$2,500*  
*C 63 only*



201  
Black  
*Option price: \$1,620*  
*C43 only*



241  
Black w/Red Topstitching  
*Option price: \$1,620*  
*C43 only*



241+555  
Black w/ Red Topstitching  
*Option price: \$4,120*  
*C43 only*



228  
Magma Grey/Black  
*Option price: \$1,620*  
*C43 only*



224  
Saddle Brown/Black  
*Option price: \$1,620*  
*C43 only*



225  
Porcelain / Black  
*Option price: \$1,620*  
*C43 only*



227

Cranberry Red/Black

*Option price: \$1,620*

*C43 only*

# Interior Upholstery – Nappa Leather



801  
Black

*Option price for C 63 : \$2,590  
Option price for C 63 S : \$0  
(C 63 & C 63 S only)*



801+555  
Black

*Option price for C 63 : \$5,090  
Option price for C 63 S : \$2,500  
(C 63 & C 63 S only)*



857  
Red Pepper/Black

*Option price for C 63 : \$2,590  
Option price for C 63 S : \$0  
(C 63 & C 63 S only)*



857+555  
Red Pepper/Black

*Option price for C 63 : \$5,090  
Option price for C 63 S : \$2,500  
(C 63 & C 63 S only)*



851  
Platinum White/Black

*Option price for C 63 : \$2,590  
Option price for C 63 S : \$0  
(C 63 & C 63 S only)*



851+555  
Platinum White/Black Nappa

*Option price for C 63 : \$5,090  
Option price for C 63 S : \$2,500  
(C 63 & C 63 S only)*

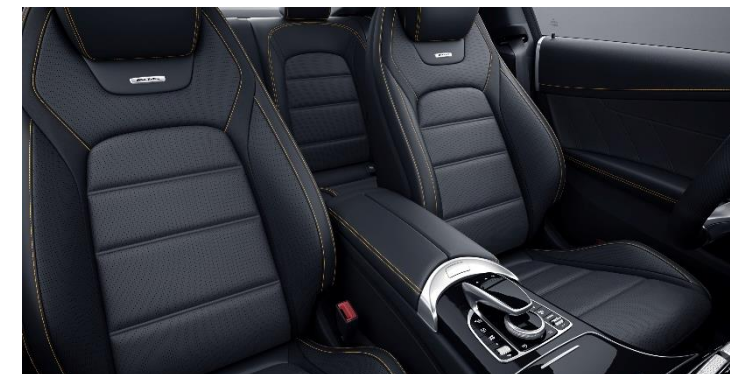
# Interior Upholstery – Nappa Leather



811  
Black w/ Grey Accents  
*Option price: \$0*  
*C 63 S only*



811+555  
Black w/ Grey Accents  
*Option price: \$2,500*  
*C 63 S only*



858  
Magma Grey/Black with Yellow Stitching  
*Option price: \$2,590 (C63) / \$0 (C63 S)*  
*C 63 / C63 S only*



858 + 555  
Magma Grey/ Black with Yellow Stitching  
w/ AMG Performance Seats  
*Option price: \$5,090 (C63) / \$2,500 (C63 S)*  
*C63 / C63 S only*

<i>Code</i>	<i>Upholstery</i>	<i>Seats</i>	<i>Floor Mats</i>	<i>Upper Dash/Lower Dash</i>	<i>Seat Belts</i>	<i>Headliner</i>	<i>Topstitching</i>
641	Black MB-Tex/DINAMICA w/ Red Topstitching	Black	Black	Black/Black	Red	Black	Red
611	Black MB-Tex/DINAMICA	Black	Black	Black/Black	Black	Black	None
201	Black Leather	Black	Black	Black/Black	Black	Black	None
241	Black Leather w/ Red Topstitching	Black	Black	Black/Black	Red	Black	Red
228	Magma Grey/Black Leather	Black	Black	Black/Magma Grey	Black	Black	None
224	Saddle Brown/Black	Black	Black	Black/Black	Black	Black	None
225	Porcelain/Black	Black	Black	Black/Black	Black	Black	None
227	Cranberry Red/Black	Black	Black	Black/Black	Black	Black	None
801	Black Nappa Leather	Black	Black	Black/Black	Black	Black	None
857	Red Pepper/ Black Nappa Leather	Black/ Red Pepper	Black	Black/Black	Black	Black	Red
851	Platinum White/Black Nappa Leather	Black/ Platinum White	Black	Black/Black	Black/ Silver (C 63 S only)	Black	Silver
811	Black w/ Grey Accents Nappa Leather	Black/Grey	Black	Black/Black	Silver	Black	Silver
858	Magma Grey/Black Nappa Leather w/ Yellow Stitching	Magma Grey	Black	Black/Black	Black	Black	Yellow



737 + 739

Natural Grain Black Ash Wood  
*(door trim in Aluminum)*  
Option price: \$0



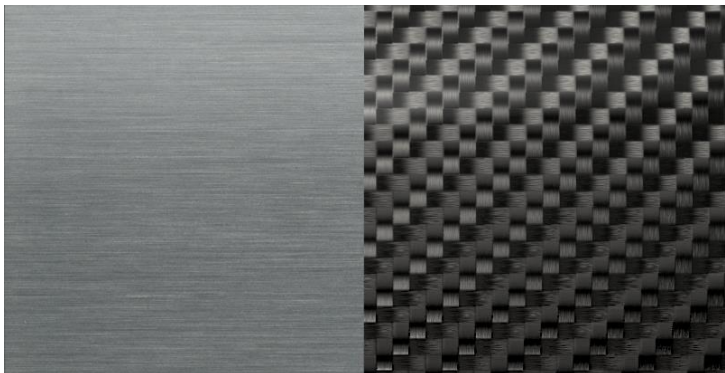
H33

Natural Grain Walnut Wood  
*(door trim in Aluminum)*  
Option price: \$0



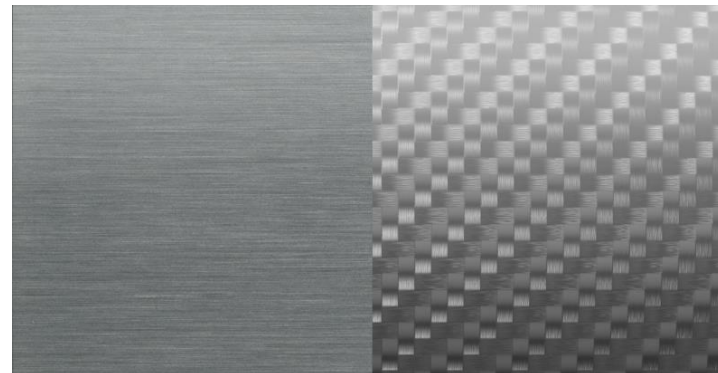
H07

Dark Brown Linden Wood  
Option price: \$0



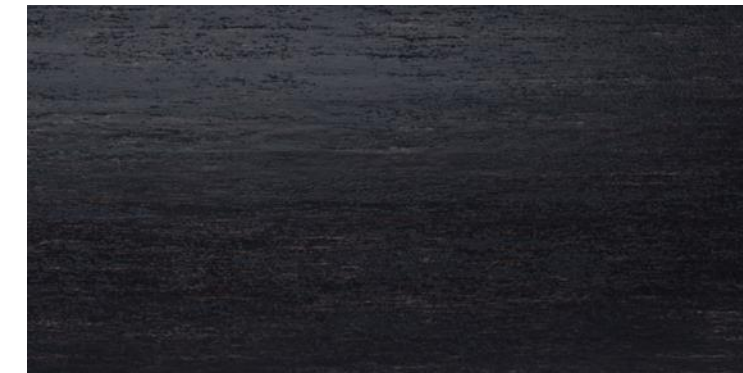
H73

AMG Carbon Fiber  
*(door trim in Aluminum)*  
Option price: \$975



H84

AMG Silver Fiber Glass  
*(door trim in Aluminum)*  
Option price: \$975



H31

Natural Grain Grey Oak  
Option price: \$0

<i>Code</i>	<i>Packages</i>	<i>Availability</i>	<i>MSRP</i>
P01	<b>Premium Package</b> <i>Standard</i> <ul style="list-style-type: none"> <li>▪ 234 – Blind Spot Assist</li> <li>▪ 500 – Power-Folding Side Mirrors</li> <li>▪ 536 – SiriusXM Radio</li> <li>▪ 810 – Burmester® Surround Sound System</li> <li>▪ 871 – HANDS-FREE ACCESS</li> <li>▪ 881 – Electronic Trunk Closer</li> <li>▪ 889 – KEYLESS-GO®</li> </ul>	All Models	Std.
319	<b>Exterior Lighting Package</b> <ul style="list-style-type: none"> <li>▪ 640 – LED Intelligent Light System</li> <li>▪ 608 – Adaptive Highbeam Assist</li> </ul>	All Models	\$ 900
320	<b>Multimedia Package</b> <i>Requires Premium Package (P01) or SiriusXM® Satellite Radio (536)</i> <ul style="list-style-type: none"> <li>▪ 531 – COMAND® Navigation</li> <li>▪ 448 – Touchpad</li> <li>▪ 502 – Map updates</li> <li>▪ Car-to-X Communication</li> </ul>	All Models	\$ 2,300



<i>Code</i>	<i>Packages</i>	<i>Availability</i>	<i>MSRP</i>
996	<b>Parking Assistance Package</b> <ul style="list-style-type: none"> <li>▪ 235 – Active Parking Assist</li> <li>▪ 501 – Surround View System</li> </ul>	All Models	\$ 1,090
997	<b>Driver Assistance Package</b> <i>Requires Multimedia Package (320)</i> <ul style="list-style-type: none"> <li>▪ Active Distance Assist DISTRONIC®</li> <li>▪ Active Steering Assist</li> <li>▪ Evasive Steering Assist</li> <li>▪ Active Lane Change Assist</li> <li>▪ Active Lane Keeping Assist</li> <li>▪ Active Blind Spot Assist</li> <li>▪ Active Brake Assist w/ Cross-Traffic Function</li> <li>▪ Active Emergency Stop Assist</li> <li>▪ Active Speed Limit Assist</li> <li>▪ Route-Based Speed Adaptation</li> </ul>	All Models	\$ 1,800
B28	<b>AMG Exterior Carbon Fiber Package</b> Carbon fiber elements: Exterior Mirror Covers and Trunk Lid Spoiler	All Models	\$ 1,750
773	<b>AMG Exterior Carbon Fiber Package II</b> <ul style="list-style-type: none"> <li>▪ Carbon fiber elements: A-Wing, side sill inserts, and rear apron insert</li> </ul>	C 63 & C 63 S	\$ 2,950

<i>Code</i>	<i>Packages</i>	<i>Availability</i>	<i>MSRP</i>
521	<p><b>AMG Night Package</b></p> <p>C 43: P55: High-gloss black elements: front splitter trim strip, front louver insert; black chrome-plated exhaust pipes</p> <p>C 63 &amp; C 63 S:</p> <ul style="list-style-type: none"> <li>▪ P60: High-gloss black elements: A-wing including trim strip on front bumper, side sill inserts, exterior mirror housings, window trim; black chrome-plated exhaust tailpipes</li> <li>▪ For C63 S, rear apron trim strips in gloss black</li> </ul>	<p>C 43</p> <p>C 63 &amp; C 63 S</p>	<p>\$ 300</p> <p>\$ 750</p>
322	<p><b>AMG Performance Studio Package</b></p> <ul style="list-style-type: none"> <li>▪ 36P - AMG Optics Package including high gloss front splitter, side skirts, spoiler lip, and rear apron flics</li> <li>▪ P55 - AMG Night Package</li> <li>▪ RVD - 19" AMG Multi-spoke Wheels in matte black with high-sheen rim flange</li> </ul>	C43	\$ 3,000

<i>Code</i>	<i>Options</i>	<i>Availability</i>	<i>MSRP</i>
256	AMG Track Pace <i>Requires Multimedia Package (320)</i>	C 43 & C 63 C 63 S	\$ 250 \$ 0
260	Rear Deck Lid Badge Delete	C63 & C63 S	\$ 0
261	Front Fender Badge Delete	All Models	\$ 0
355	SD-Card Navigation Pre-wiring	All Models	\$ 200
401	Heated & Ventilated Front Seats <i>Requires leather upholstery or designo Nappa leather upholstery</i>	All Models	\$ 450
463	Head-Up Display with AMG-specific content ( <b>Limited Availability</b> )	All Models	\$ 990
464	12.3" Digital Instrument Cluster	All Models	\$ 750
555	AMG Performance Seats <i>C43: Only with 241 and 641 (if combined with 401, can only have 555 seats in upholstery 241)</i>	All Models	\$ 2,500
877+U25	64-Color Ambient Lighting & AMG Illuminated Door Sills	All Models	\$ 310
897	Inductive Wireless Charging and NFC Pairing	All Models	\$ 170
B07	AMG Ceramic Composite Braking System <i>Only with 766, 767, and RXC wheels</i>	C 63 S	\$ 5,450
B26	AMG Aerodynamics Package <i>Not available with U93</i> <ul style="list-style-type: none"> <li>▪ Features in high-gloss black: front splitter, side inserts, performance spoiler lip, performance rear apron air vents, aerodynamically optimized diffuser</li> </ul>	C63 & C63 S	\$ 1,750
K33	Extended Restart in Stop & Go Traffic <i>Requires both 996 and 997 packages</i>	All Models	\$ 0
R03	AMG Cup Tires <i>Only with 766, 767, and RXC wheels</i>	C63 S	\$ 600

<i>Code</i>	<i>Options</i>	<i>Availability</i>	<i>MSRP</i>
U17	Replace Red or Silver Seat Belts with Black <i>Applies only to C43 upholsteries 641/241 and C63 S upholstery 811; all other upholsteries come with Black seat belts standard</i>	C 43 & C 63 S	\$ 0
U78	AMG Performance Exhaust System <i>Standard on C63 / C63 S</i>	C43	\$ 1,250
U88	AMG DRIVE UNIT <i>Required with L6G steering wheel; standard on C63 S</i>	C63	\$ 400
U93	AMG Carbon Fiber Trunk Lid Spoiler <i>Already included in B28 on C63 and C63 S</i>	All Models	\$ 700
U97	AMG Performance Spoiler in High-Gloss Black	C 63 & C 63 S	\$ 350
Y05	Red Seat Belts <i>C 43 standard w/ 641 and 241 upholsteries. Not available with 224, 227, and 857 interiors.</i>	C 63 & C 63 S	\$ 500
<i>Code</i>	<i>SPC Options</i>	<i>Availability</i>	<i>MSRP</i>
298	Rear Side Air Bags <i>SPC option (implies \$250 on-top charge)</i>	All Models	\$ 420

<i>Code</i>	<i>VPC Installed Accessories</i>	<i>Availability</i>	<i>MSRP</i>
00A	Illuminated Star <i>Not available with 997 Driver Assistance Package</i>	All Models	\$ 450
068	Wheel Locks	All Models	\$ 150
070	Chrome Door Handle Inserts (set of 2)	All Models	\$ 70
11A	Black Mirror Housings <i>Not available with 521 AMG Night Package, B28 Exterior Carbon-Fiber package, and paint codes 040/197</i>	C63 / C63 S	\$ 250
16A	Carbon Fiber Look Mirror Housings <i>Not available with 521, 11A, and/or B28</i>	C63 / C63 S	\$ 250
19A	Rear Chrome Trim	All Models	\$ 200
25A	AMG LED Crest Projectors ( <b>Delayed</b> )	All Models	\$ 275
26A	MB Entry Navigation	All Models	\$ 625

## *Steering Wheels*



### **AMG Performance Steering Wheel (L6J)**

Standard on C 43 / C 63

Option price on C63 S: \$0

The AMG Performance steering wheel in Nappa leather features AMG-specific shift paddles

- "AMG" badge underscores the sporty character.
- Red stitching and red 12 o'clock marker only come on C43, and only when upholstery 641 or 241 are selected



### **AMG Performance Steering Wheel in Nappa/DINAMICA inserts (L6K)**

Standard on C 63 S

Option price for C 43 & C 63: \$500

- Grip area is finished in DINAMICA
- On C63 S, 12 o'clock marker and stitching are in red with upholstery 857, yellow with 858, and grey with 811, 851, and P62



### **AMG Performance Steering Wheel in DINAMICA (L6G)**

Not available on C43

Option price: \$600 (C63)/\$150 (C63 S)

U88 AMG DRIVE UNIT required

- Completely finished in black DINAMICA
- On C63 S, 12 o'clock marker and stitching are in red with upholstery 857, yellow with 858, and grey with 811, 851, and P62

## *Steering Wheels*



### **AMG Performance Steering Wheel in Nappa/Piano Black Trim (L6L)**

*Optional on all AMG variants*

*Option price: \$700 (C43/C63) / \$250 (C63 S)*

- Only in combination with the following interior trims: 737, H73
- Stitching and 12 o'clock marker always in black



### **AMG Performance Steering Wheel in DINAMICA/Carbon Fiber Trim (L6H)**

*Not available on C43*

*Option price: \$900 (C63)/\$450 (C63 S)*

- Only in combination with the following interior trims: 737, H73
- Stitching and 12 o'clock marker always in black



### **AMG DRIVE UNIT (U88)**

*Not available on C43; Standard on C63 S*

*On C63: Optional on L6J, L6K, L6L, and L6H steering wheels; Required on L6G wheel*

*Option price: \$400*

- Left rocker switch can be freely assigned functions such as manual mode, adjustment of AMG RIDE CONTROL, activation/deactivation of ESP, enable/disable AMG Performance Exhaust System (optional)
- Right round control knob: selection of drive programs and display of current selected mode

## Brakes



### Sports Braking System

Standard on C 43 (C 43 only)

4-piston front and single piston rear calipers

- Front axle: brake disks measuring 14.2 x 1.4 inch, internally ventilated and perforated, with 4-piston aluminum fixed caliper and black "AMG" lettering
- Rear axle: brake disks measuring 12.6 x 0.9 inch, internally ventilated, with 1-piston floating caliper with brake caliper-integrated electric parking brake
- Painted in silver brake calipers



### AMG High-Performance Braking System (B06)

Standard on C 63 (C 63 only)

6-piston front and single piston rear calipers

- Front axle: integral brake discs measuring 14.2 x 1.4 inch, internally ventilated and perforated with 6-piston fixed caliper
- Rear axle: brake discs measuring 14.2 x 1.0 inch, internally ventilated and perforated with 1-piston floating caliper
- grey-painted brake calipers with white AMG lettering
- Painted in grey brake calipers



### AMG High-Performance Composite Braking System (U70)

Standard on C 63 S (C 63 S only)

6-piston front and single piston rear calipers

- Front axle: Compound brake disc measuring 15.4 x 1.4 inch, internally ventilated and perforated with 6-piston fixed caliper
- Rear axle: Brake discs measuring 14.2 x 1.0 inch, internally ventilated and perforated with 1-piston floating caliper
- Increased fade resistance and reduced thermal deformation of brake discs
- Painted in red brake calipers



### AMG High-Performance Ceramic Composite Braking System (B07) [See advisory](#)

Option price: \$5,450 (C 63 S only)

6-piston front and single piston rear calipers

- Front axle: compound ceramic disc with a diameter of 15.8 x 1.5 inch, internally ventilated and perforated, with 6-piston fixed caliper
- Rear axle: integral brake disc with a diameter of 14.1 x 1.0 inch, internally ventilated, perforated and grooved with 1-piston combined floating brake caliper
- Bronze brake calipers with 30% weight saving compared with standard brake discs



## Advisory on B07 AMG High-Performance Ceramic Compound Braking System



The AMG Ceramic Compound Braking system has numerous benefits – namely, it is 40% lighter than a conventional steel braking system, offers significantly longer service life for the brake rotors, and provides exceptional resistance to brake fade under repeated aggressive stops.\*

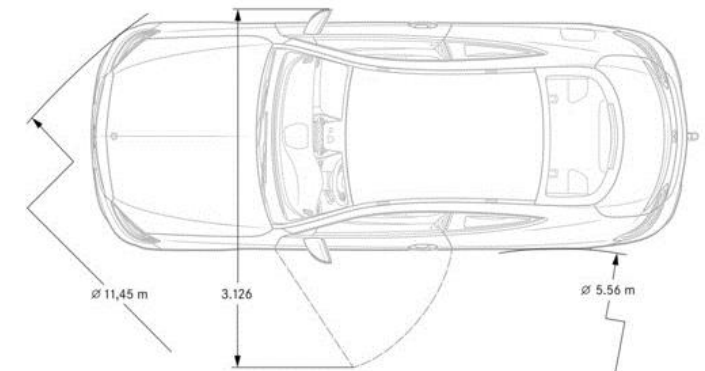
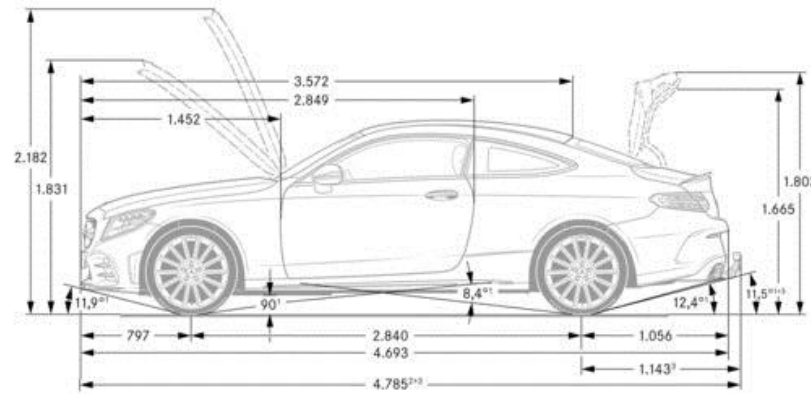
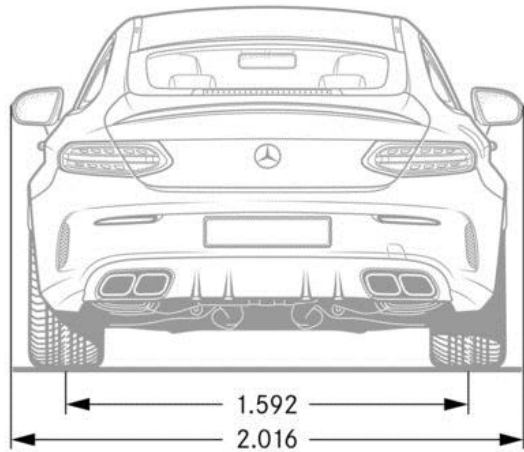
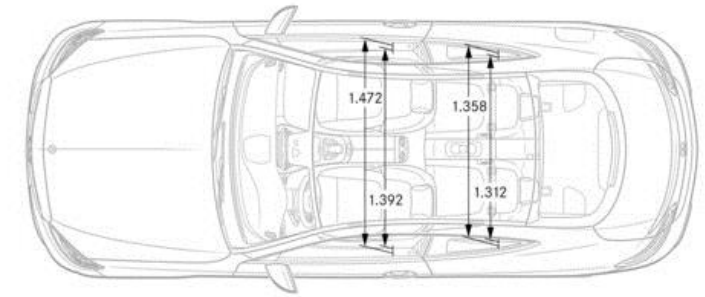
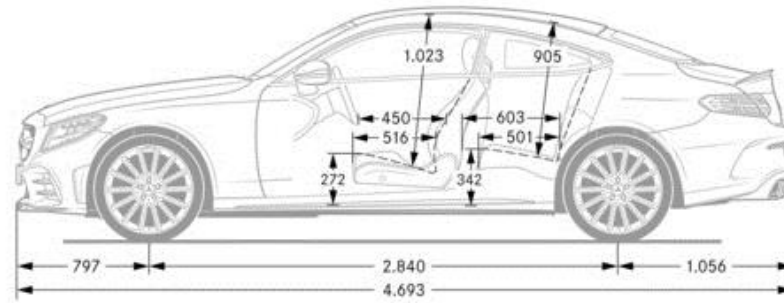
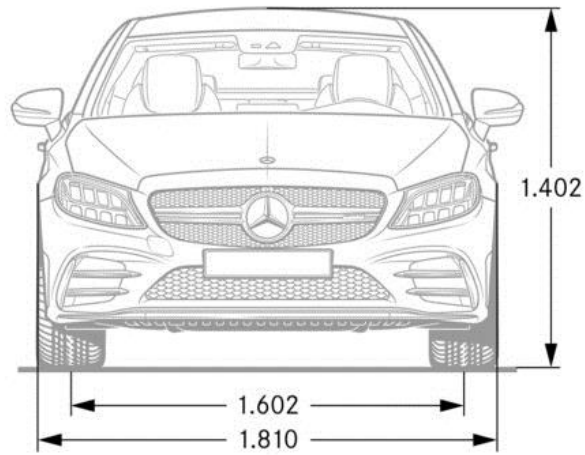
The materials in your AMG Ceramic Compound Braking system were derived from Formula One technology, and therefore will perform differently than conventional brakes.

Especially when cold, this ceramic composite material will resonate during braking and potentially feel less responsive under light brake pressure but with no loss in braking power. You will hear sounds, e.g. squealing, that you might not expect and which may be louder than what you are used to during ordinary everyday braking maneuvers – rest assured that this is a normal operating characteristic for this brake system, and is a by-product of the unique properties of the material. Mercedes-AMG recommends that the driver engage the brakes in an assertive manner in order to mitigate some of this noise during normal operation; Mercedes-AMG also recommends that the brakes be brought up to operating temperature before use in high-performance driving situations in order to improve braking performance.

*\*Brake weight based on AMG Germany official measurements, Service life based on F1 Safety car longevity and is dependent on individual driving style and conditions and will vary. Brake pads and rotors should be regularly serviced to ensure proper wear. Please reference your Mercedes-AMG Maintenance Booklet or contact your dealer for scheduled intervals.*

	<i>C43 4MATIC</i>	<i>C63</i>	<i>C63S</i>
Engine Configuration	AMG-enhanced 3.0L V6 biturbo engine	Handcrafted AMG 4.0L V8 biturbo engine	Handcrafted AMG 4.0L V8 biturbo engine
Power (hp)	385 @ 6,100	469 @ 5,500-6,250	503 @ 5,500-6,250
Torque (lb-ft)	384 @ 2,500-5,000	479 @ 1,750-4,500	516 @ 2,000-4,500
Displacement (cc)	2,996	3,982	3,982
Acceleration 0-60 mph (sec)	4.5	3.8	3.7
Fuel Economy (Cty/Hwy/Comb)	TBD	TBD	TBD
Top Speed (mph)	130 (lim.)	155 (lim.)	180 (lim.)
Fuel Requirement (Octane)	91	91	91
# Valves per cylinder	4	4	4
Compression	10.5 : 1	10.5 : 1	TBD
Transmission	AMG SPEEDSHIFT TCT 9-Speed	AMG SPEEDSHIFT MCT 9-Speed	AMG SPEEDSHIFT MCT 9-Speed
Transmission Speeds	9	9	9
Drive Configuration	All-Wheel-Drive	Rear-Wheel-Drive	Rear-Wheel-Drive
Fuel Tank Size (gallons)	17.4	17.4	17.4
Trunk Size (cubic feet)	10.5	10.5	10.5
Curb Weight (lbs)	3,979	4,109	4,134
Vehicle Length (in.)	184.8	187.1	187.1
Vehicle Width w/ exterior mirrors (in.)	79.4	79.4	79.4
Vehicle Height (in.)	55.3	55.2	55.2
Wheelbase (in.)	111.8	111.8	111.8
Track Width Front/Rear (in.)	63.1/61.3	64.4/62.7	64.4/62.7
Coefficient of Drag (Cd)	0.30	0.33	0.33

# Specifications\* – C43



# Specifications\* – C63

