

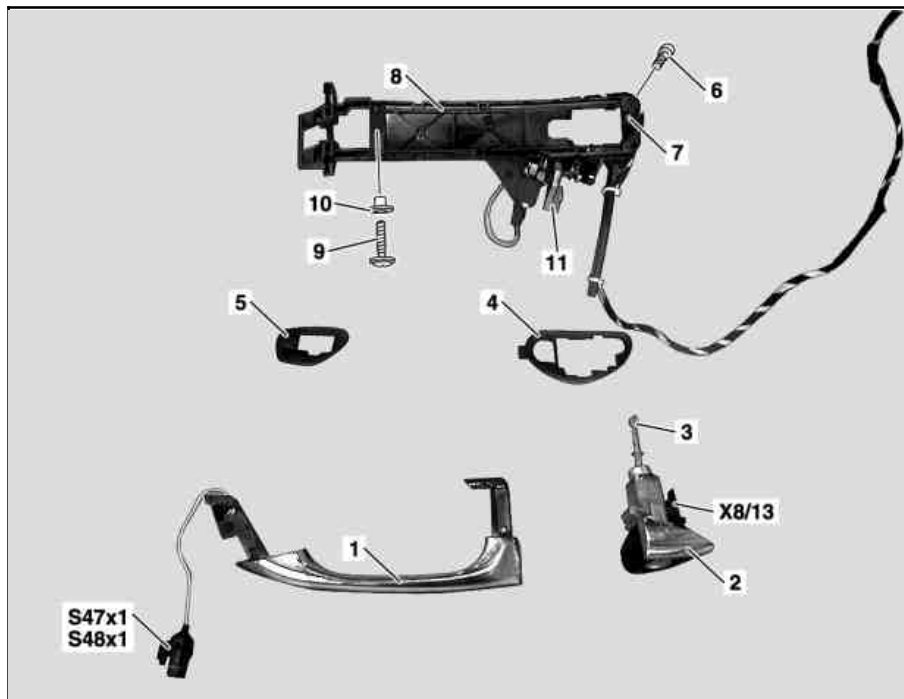
MODEL 215, 220 with CODE (889) Keyless go

- 1 Handle
- 2 Lock cylinder guide
- 3 Rotating rod
- 4 Base
- 5 Base
- 6 Torx screw
- 7 Allen screw, 6
- 8 Hinge strap
- 9 Screw
- 10 Base
- 11 Control lever

X8/13 Driver's door infrared receiver connector

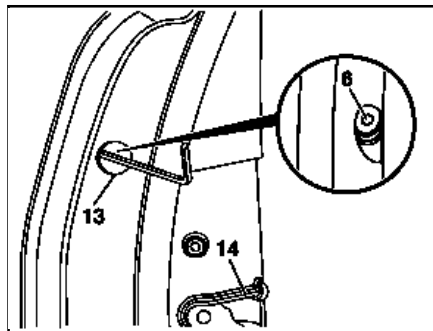
S47x1 Capacitive sensor and push contact connector

S48x1 Capacitive sensor and push contact connector

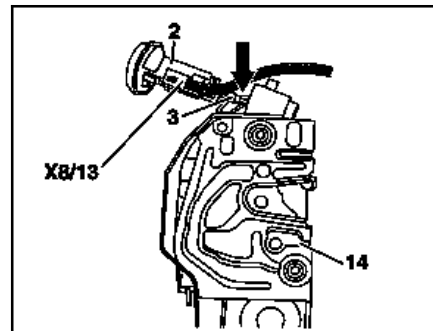


P72.10-2132-06

- 2 Lock cylinder guide
 - 3 Rotating rod
 - 6 Torx screw
 - 13 Opening for Torx screw
 - 14 Door lock
- X8/13 Driver's door infrared receiver connector

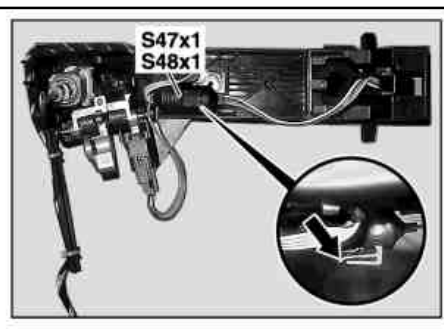


P72.10-0573-01



P72.10-0574-01

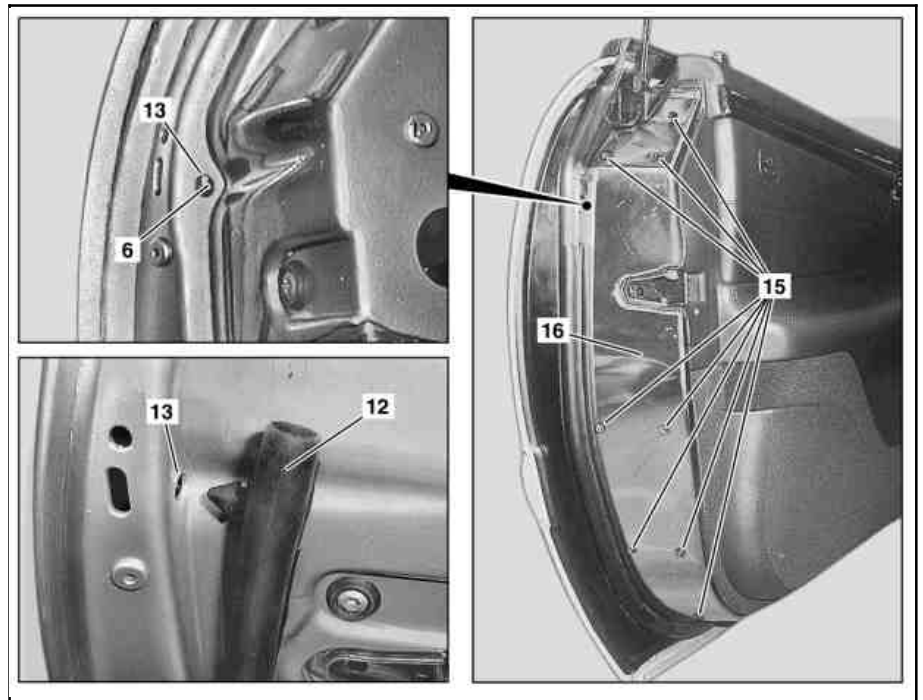
- X35/1 Left door separation point
- X35/2 Right door separation point
- S47x1 Capacitive sensor and push contact connector
- S48x1 Capacitive sensor and push contact connector



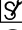


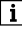


P72.10-2133-04

Model 215

- 6 Torx screw
- 12 Door sealing frame
- 13 Opening for Torx screw
- 15 Screws
- 16 Cover



P72.10-2094-06

	Removal		
1.1	Remove cap from installation opening (13) in narrow side of door	Model	
1.2	Unscrew screws (15) and remove cover (16)	Model 215	
2.2	Remove door sealing frame (12) from installation opening (13) in narrow side of door	Model 215	
3	Unscrew Torx screw (6)	  Remove Torx screw (6). Secure against falling down	*000589011000
4	Remove guide (2)	Slightly pivot guide (2) toward rear and then pull out toward outside. Simultaneously pull out handle (1) slightly  Avoid damaging paint	
5	Disconnect driver's door infrared receiver connector (X8/13)		
6	Remove door liner	Model 220 Model 215	AR72.10-P-1000M AR72.10-P-1000N
7	Disconnect keyless go connector on hinge strap (8)		
8	Remove handle (1) with bases (4) and (5)	Pull handle (1) with bases (4) and (5) out of hinge strap (8) toward rear	
9	Pull off insulating mat in area of door lock		
10	Remove hinge strap (8)	First open retainer for release handle, unscrew screw (9) from handle recess and remove hinge strap (8) with release handle through installation opening in inner door panel	
11	Disconnect keyless go connector on inner door panel	 Remove cable strap	
	Install		
12	Install hinge strap (8)	Insert hinge strap (8) with release handle through installation opening in inner door panel and insert release handle into control lever retainer. Turn screw (9) into handle recess	
13	Contact keyless go connector on inner door panel	 Replace cable strap	
14	Insert handle (1) with bases (4) and (5) into hinge strap (8)	 Ensure that the lever on the handle slides behind the actuation lever (11) on the bracket so that the lock can be unlocked	
15	Contact keyless go connector on bearing bracket (8)		

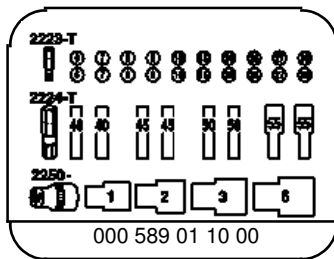
16	Install guide (2)	Simultaneously insert driver door infrared receiver connector (X8/13). ⓘ When inserting the guide (2) ensure that the rotating rod (3) is moved into the door lock (14) in the correct position	
17	Tighten guide with Torx screw (6)	ⓘ Secure Torx screw (6) against falling down	*BA72.10-P-1007-01E *000589011000
18	Adjust clearance between handle (1) and actuation lever (12)	ⓘ Press release handle up with retainer opened until resistance can be felt. Then lock retainer	
19	Check clearance	ⓘ Pull handle (1) until resistance can be felt clearly	*BE72.10-P-1001-01C
20	Glue on insulating mat	ⓘ Replace damaged insulating mat	
21	Install door liner	Model 220 Model 215	AR72.10-P-1000M AR72.10-P-1000N
22.1	Press door sealing frame (12) into installation opening (13) in narrow side of door	Model 215 ⓘ Ensure that door sealing frame (12) is seated correctly	
23.1	Install cover (16), for this purpose screw in screws (15)	Model 215	
23.2	Install cap for installation opening (13) in narrow side of door	Model 220	
24	Check for proper function		

Check values for front door

Number	Designation	Model 215	Model 220
BE72.10-P-1001-01C	Clearance mm	2 (±1)	2 (±1)

Nm Front door

Number	Designation	Model 215	Model 220
BA72.10-P-1007-01E	Screw for front door handle Nm	3	3



Torx bit set