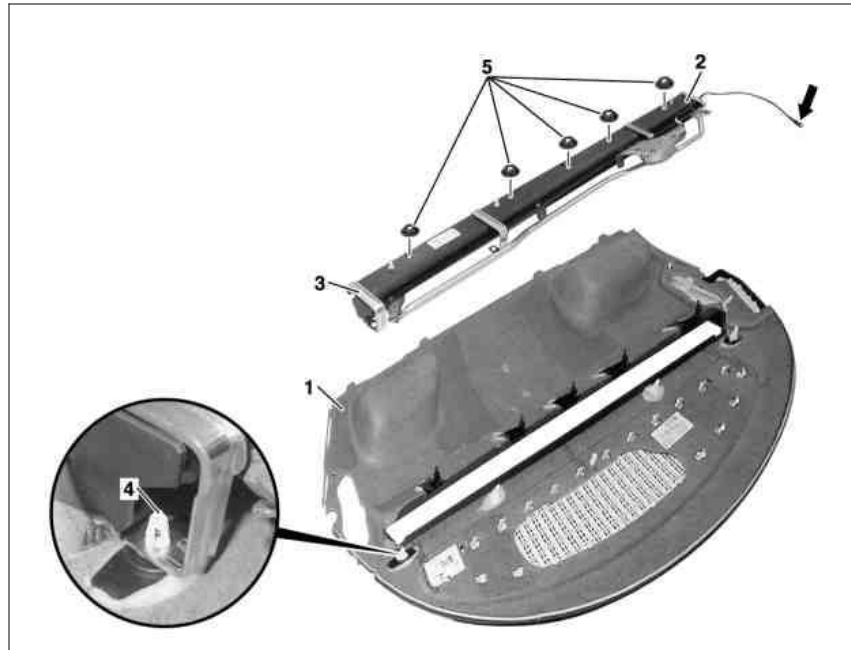


MODEL 215, 220 with CODE (540a) Electric roller blind for rear window

- 1 Rear shelf
 2 Electric roller blind
 3 Retaining bracket
 4 Clip
 5 Nut
 Arrow connector



P68.50-2173-06

☒ ☒	Remove/install		
1	Remove parcel shelf (1)	i Disconnect electric roller blind connector (arrow).	AR68.30-P-4580M
2	Unscrew nuts (5)		
3	Unclip electric roller blind (2) from rear shelf (1)	i Pry clips (4) on retaining brackets (3) off with corresponding tool. i If it is necessary to replace roller blind motor: ↓ Remove roller blind motor	AR68.50-P-4800M
4	Install in the reverse order		