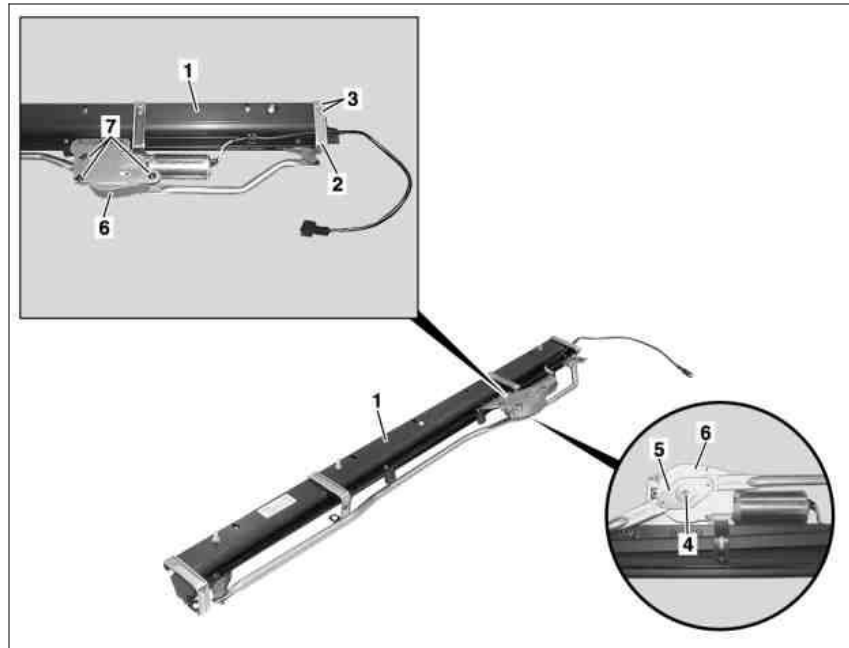


## MODEL 215, 220 with CODE (540a) Electric roller blind for rear window

- 1 Electric roller blind for rear window
- 2 Bracket
- 3 Pop rivets
- 4 Screw
- 5 Drive disc
- 6 Drive
- 7 Screws



P68.50-2172-06

☒	<b>Removing</b>		
	<b>Risk of injury</b> from <b>jamming or bruises</b> , in extreme cases from limbs being <b>shorn off</b> if limbs come into contact with mechanical parts.	No parts of the body or limbs should be within the operating range of the mechanism when moving components.	AS00.00-Z-0009-01A
1	Remove electric roller blind for rear window (1)		AR68.50-P-4600M
2	Remove bracket (2)	<b>i</b> Drill out pop rivets (3).	
3	Pull cable out of mounts		
4	Unscrew screw (4) and pull drive disc (5) off of drive (6) upward.	<b>⚠</b> The drive (6) should not be operated if it is not completely connected to the system.	
5	Unscrew screws (7) and remove drive (6) from electric roller blind (1)		
☒	<b>Installing</b>		
6	Install drive disc (5) on drive shaft (6)	<b>i</b> The splines of the shaft should engage in the drive disc.	
7	Screw in screw (4)	<b>⚠</b> Always replace mounting screws. <b>Nm</b>	*BA68.50-P-1003-01B
8	Screw drive (6) to electric roller blind (1)	<b>i</b> Do not tighten screws (7).	
9	Connect power supply and completely extend electric roller blind	<b>i</b> Vehicle electrical system 11 to 14 V	
10	Tighten screws (7)	<b>i</b> Electric roller blind in extended state. <b>Nm</b>	*BA68.50-P-1002-01B
11	Check whether lever arms of electric roller blind move in uniformly	<b>i</b> If necessary loosen screws (7) and readjust drive. <b>Example:</b> If the left lever arm moves in earlier, move drive to right. Then retighten screws (7).	
12	Press cable in mounts		
13	Rivet mount (2) to electric roller blind (1)	<b>🔧</b> Hand riveter	*WH58.30-Z-1003-29A
14	Install electric roller blind for rear window		AR68.50-P-4600M

**Nm** Curtains/roller blinds

Number	Designation	Model
		215, 220

BA68.50-P-1002-01B	Screw for drive	Nm	8,0
BA68.50-P-1003-01B	Screw for drive disc	Nm	4,5

**Commercially available tools**

Number	Designation
WH58.30-Z-1003-29A	Hand riveter