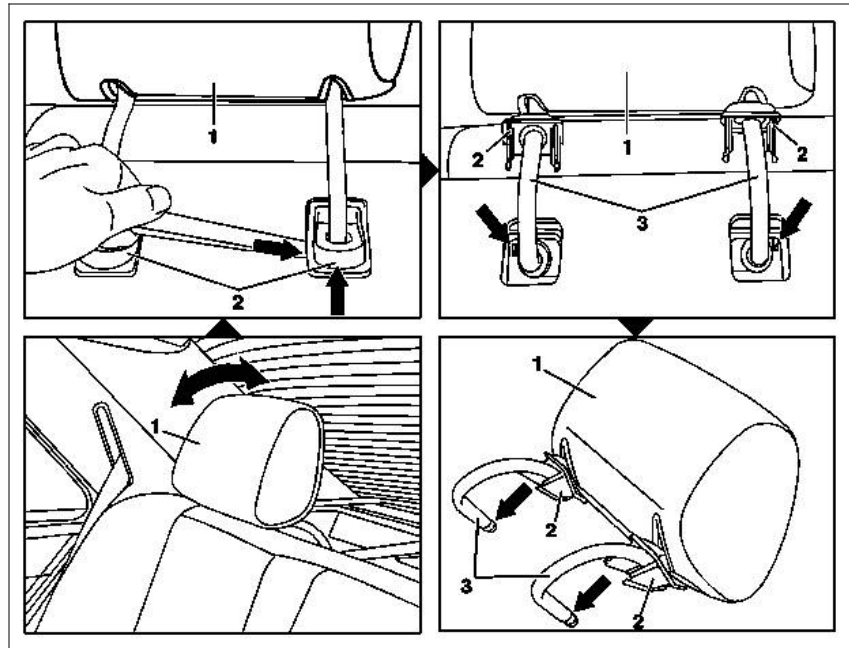


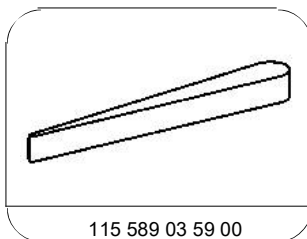
MODEL 202 / / / , 208.3, 210, 220, 215 (except 202.07 /08 /18 /19)

- 1 Head restraint
2 Cover
3 Head restraint yokes



P91.15-0005-06

	Removal		
1	Pull up head restraint (1)		
2	Slide cover (2) toward front and simultaneously press against cover (2) on side with long wedge and lift	 On model 220, 215 only left cover (2)	*115589035900
3	Press both arresting levers (arrows) with screwdriver and pull head restraint yokes (3) toward rear out of head restraint mount		
4	Put head restraint (1) down to side		
	Installation		
5	Install cover (2) on both head restraint yokes (3)		
6	Insert both head restraint yokes (3) uniformly into mounts until catch on the head restraint yoke engages		
7	Hook cover (2) into rear wall panel		
8	Check head restraint retraction feature for proper function		

Special tool

115 589 03 59 00

Long wedge