

CLA Coupe



European Model shown

C118

Model Year 2020

Preliminary –Subject to Change. European-spec images shown.

Mercedes-Benz

The best or nothing.

Mercedes-Benz USA



CLA Coupe MY20



Important note

The information presented in this guide is based on the most current information available and is intended for internal use only. Mercedes-Benz reserves the right to make changes at any time, without notice, to colors, materials, equipment, special specifications and models.

Pricing may not yet be finalized for some models or options.

Due to variances among monitors and printers the colors that appear on your screen and printouts may not be exact.

For illustrative purposes, some images may show vehicles with European Specification.

Revision History

<i>Date</i>	<i>Changes</i>
03/22/2019	All-new model initial release – prices subject to change
05/10/2019	Updated availability of KEYLESS-GO (889) and HANDS-FREE ACCESS (871): not available until 01/2020
05/16/2019	Updated availability of MBUX Interior Assistant (77B): not available until 12/2019
09/04/2019	Updated MSRP
09/13/2019	Price updates: <ul style="list-style-type: none">• Patagonia Red (993)• 19” AMG Multi-Spoke Wheels, Black (RVK)• Head-Up Display (463)• Rear Trim (D19)• All-Weather Mats (D33) Updated description of H44: Brushed Aluminum (longitudinal grain) Added USB-C Cable Adapter (D25) to VPC Installed Accessories



CLA 250 & CLA 250 4MATIC



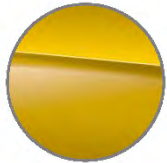
Models



What's new



Standard Equipment



Exterior Paint Colors



Wheels



Interior Upholstery



Interior Trims



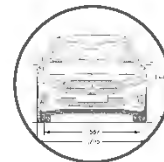
Option Packages



Stand-Alone Options



Options in Detail



Specifications



CLA 250 (118.346)

- \$36,650
- 2.0L Inline-4 Turbo Engine
- 221 hp
- 258 lb-ft
- tbc (0-60 mph)
- Launch date: Fall 2019



CLA 250 4MATIC (118.347)

- \$38,650
- 2.0L Inline-4 Turbo Engine
- 221 hp
- 258 lb-ft
- tbc (0-60 mph)
- Launch date: Fall 2019





Exterior Highlights





Exterior Comparison MY19 (C117) vs. MY20 (C118)





Interior Highlights





Interior Comparison MY19 (C117) vs. MY20 (C118)



MY19

Picture shows optional Equipment



MY20

Picture shows optional Equipment



Powertrain / Suspension

- CLA 250/CLA 250 4MATIC with 221 hp (+13 hp vs. predecessor) and 258 lb-ft
- Powerful and efficient turbocharged 2.0l inline-4 engine with variable valve control CAMTRONIC, cylinders with CONICSHAPE® and particulate filter for less wear, fuel consumption and emissions

Exterior

- Expressive front section with shark nose design, striking daytime running lamps and diamond-block grille for an even sportier appearance
- Two-part LED taillights for an improved trunk access
- Larger track width and extended vehicle length
- Enhanced trunk space
- Extended wheel size and wide range of expressive wheel designs (18"-19")
- New exterior paint colors

Interior

- Innovative wrap-around interior design with free-standing digital instrument cluster and media display
- MBUX - the newest head unit generation from Mercedes-Benz incl. state-of-the-art voice control for a convenient and seamless user experience
- Holistic, intuitive touch operating concept including new generation steering wheel with touch control buttons, touchpad in the center console and media display with touchscreen
- Improved stowage facilities and functions

Standard Equipment

- LED Headlamps and Taillamps
- Mercedes-Benz User Experience (MBUX)
- Voice Control, including Natural Language Understanding and Keyword Activation ("Hey Mercedes")
- 7" Digital Instrument Cluster & 7" Media Display with Touchscreen
- Touchpad in Center Console
- Smartphone Integration
- Panorama Roof

Optional Equipment

- Heated and Ventilated Seats (401)
- Heated Steering Wheel (443)
- Head-Up Display (463)
- Surround View System (501)
- Traffic Sign Assist (513)
- Burmester® Surround Sound System (810)
- 64-Color Ambient Lighting (877)
- Inductive Wireless Charging & NFC Pairing (897)
- MBUX Interior Assistant (Gesture Control) (77B)
- Active LED Headlamps (640)
- MBUX Augmented Reality for Navigation (U19)



Mercedes-Benz User Experience (MBUX)

MBUX - the newest head unit generation from Mercedes-Benz

Standard on all CLA models

- Offered with two 7" digital displays as standard (10.25" digital displays as optional equipment)
- MBUX was designed for a touch interface with intuitive operation
- There are four ways of interacting with the system:
 - An all-new Touchpad, Touch Control Buttons on the steering wheel, a touchscreen center display, and an all-new generation of Voice Control
- Multiple users can set up Profiles which save their settings for future use
 - Including: seat settings, music preferences and radio settings, phone settings, themes/moods, Bluetooth connections, etc.
- Over time, the system learns more about it's owners and creates Suggestions based on past behavior of the user
- Whole groups of settings can be saved together in the form of a Theme/Mood
 - Including: ambient lighting, climate control, music preferences, and setup of the Digital Instrument Cluster and head unit display, etc.
- Using over-the-air updates, MBUX can continuously be improved over time
- The system is very quick and responsive due to it's impressive graphics processing and computing power

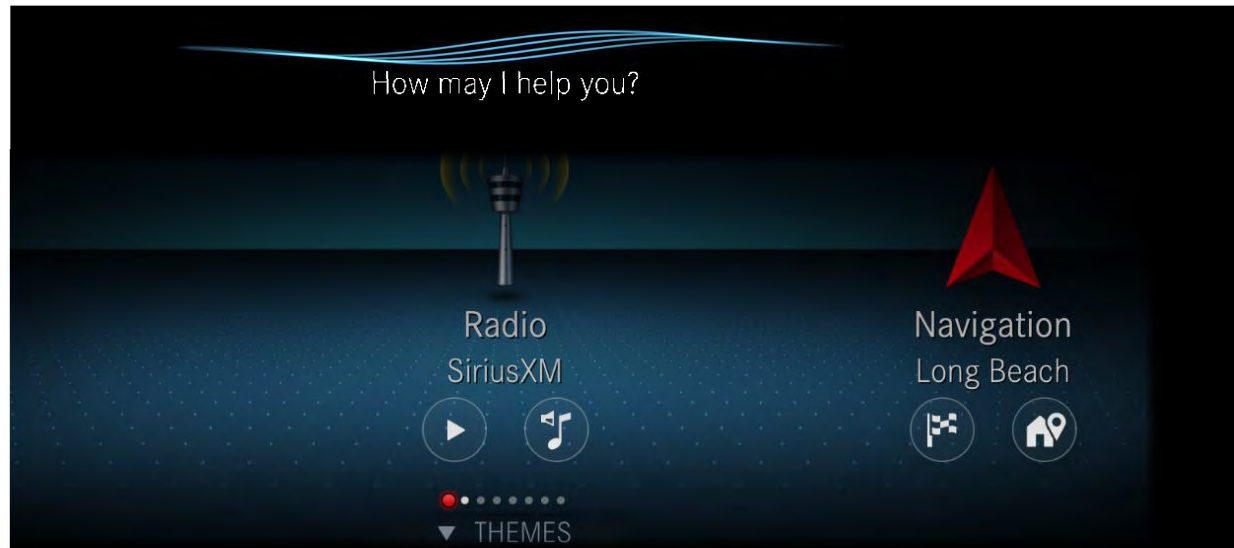


Voice Control

The most advanced Voice Control in any Mercedes-Benz vehicle

Standard on all CLA models

- Voice Control with MBUX is greatly enhanced over other systems by using both an onboard and offboard system for voice recognition
 - This ensures quick and appropriate responses
- The system also uses Natural Language Understanding so there's no need to remember the order of words for a specific command, just talk to the voice assistant as you would speak to another person
 - There are many ways of saying the same thing: *"I'm feeling cold"*, or *"Set the temperature to 72 degrees"*, or even *"I'm cold"*
- Indirect commands can also be given like *"Will I need an umbrella today?"* and the Voice Control system understands that the user is really asking whether it will rain today
- In-vehicle components can also be controlled via Voice Control, like seat heating, climate control, ambient lighting, massage programs, and even the sunshade for the Panorama roof
- Voice Control is also capable of learning from its users and adjusting its understanding to their specific way of speaking
- Keyword Activation ensures you can quickly interact with Voice Control without having to press the button on the steering wheel
 - The system wakes up with a simple *"Hey Mercedes"* or *"Hi Mercedes"*





Touchpad Controller (448)



Touchpad Controller (448)

Standard on all CLA models

The functions of MBUX can be controlled intuitively via the innovative touchpad, using single or multi-finger gestures (multi-touch):

- Touchpad approx. 3.35 x 3.54 inches in size
- Additional full-fledged input option supplementing the central controller, Touch Control Buttons on the steering wheel and voice control
- Recognizes single and multi-finger gestures (multi-touch), swiping movements and zoom gestures achieved by spreading the fingers or pinching them together
- Innovative handwriting recognition feature: Users are able to input letters, special characters and numbers in their normal handwriting, in any language available in the headunit
- 3 buttons located on the touchpad allow fast and direct operation of important functions
- Clear haptic feedback when using the touchpad or keys





MBUX Interior Assistant (77B)



MBUX Interior Assistant (77B) -available from 12/2019-

Option Price: \$300

Available on all CLA models

Enjoy contactless ease of operation: this innovative system detects and interprets your hand and arm movements. As such you can activate selected functions in a matter of seconds. As part of this the system is able to differentiate between driver and front passenger – so that you reach precisely the menus you wish to use.

- 3D camera in the overhead control panel, proximity sensors near the media display and touchpad
- The system detects and interprets hand movements and as part of this differentiates between the driver and front passenger
- Specifically highlights certain elements in the media display or enlarges them (media/radio, seat adjustment, navigation or Active Parking Assist)
- Activate reading lamp – move hand up and down beneath rear-view mirror
- Activate search light – stretch hand out towards the unoccupied front passenger seat
- Call up the personal favourites menu – defined gestures, form a "V" using index and middle fingers



Performance & Handling

- 7-Speed Dual Clutch Transmission (DCT)
- DYNAMIC SELECT
- 18" Multi-Spoke Wheels with All-Season MOE Tires

Comfort & Convenience

- Panorama Roof
- LED Headlamps
- Aluminum Trim
- Smartphone Integration
- KEYLESS-START
- 2-Zone Climate Control
- Rain-Sensing Windshield Wipers
- 7" Digital Instrument Cluster & 7" Touchscreen Multimedia Display
- Touchpad (new generation)
- 5 USB-C ports (**note: adapter will be required to connect to USB-A devices**)
- Sport Seats with Integrated Headrests
- 8-Way Power Driver and Passenger Seat with 3-Position Memory
- 4-Way Power Lumbar Support for Driver and Passenger Seat
- Dual Cup Holder in the Center Console
- Rear Seat Center Armrest incl. Dual Cup Holder
- Mercedes-Benz User Experience (MBUX)
- Voice Control, including Natural Language Understanding and Keyword Activation ("Hey Mercedes")
- Electronic Parking Brake
- Bluetooth® Connectivity
- Multifunction Steering Wheel in Leather w/ Touch Control Buttons and Shift Paddles
- 4-Way Manual Steering Column
- Cruise Control
- Automatic Light-Sensing Headlamps
- Split-Folding Rear Seats (40/20/40)
- Mercedes me connect Services w/ Trial Period
- Comfort Suspension

Safety & Security

- Rearview Camera
- Active Brake Assist
- Adaptive Braking Technology: Predictive Brake Priming, Hill-Start Assist, Automatic Brake Drying and Brake HOLD Function
- Mercedes-Benz Emergency Call Service
- Antitheft Alarm
- Eight Airbags (2x Front/Side/Window/Knee)
- Crosswind Assist



Non-metallic Paints



149
Polar White
Option price: \$0



589
Jupiter Red *(until 12/2019)*
Option price: \$0



696
Night Black
Option price: \$0



914
Sun Yellow
Option price: \$0

Metallic Paints



144
Digital White
Option price: \$720



191
Cosmos Black
Option price: \$720



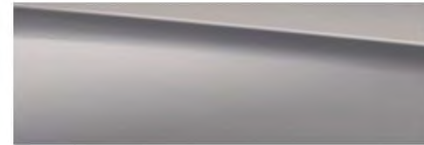
667
Denim Blue
Option price: \$720



775
Iridium Silver *(from 11/2019)*
Option price: \$720



787
Mountain Grey
Option price: \$720



859
Mojave Silver
Option price: \$720



993
Patagonia Red *(from 12/2019)*
Option price: \$720

designo[®] Paints *designo* Paints



662
designo[®] Mountain Grey Magno
Option price: \$2,500





O4R

18" Multi-Spoke Wheels

R02, R66

Standard

*Not w/ AMG Line (DG3PKG) or
Night Package (DC1PKG)*



R96

18" 5-Spoke Wheels w/ Matte
Black Accents

R02, R66

Option price: \$200

*Not w/ AMG Line (DG3PKG) or
Night Package (DC1PKG)*



R55

19" Twin 5-Spoke Wheels

R01, B51

Option price: \$500

*Not w/ AMG Line (DG3PKG) or
Night Package (DC1PKG)*



RQS

18" AMG Twin 5-Spoke Wheels

R02, R66

Option price: \$0

Requires AMG Line (DG3PKG)



RQT

18" AMG Twin 5-Spoke Wheels
w/ Black Accents

R02, R66

Option price: \$0

Requires Night Package (DC1PKG)



RVG

19" AMG Multi-Spoke Wheels

R01, B51

Option price: \$500

Requires AMG Line (DG3PKG)



RVK

19" AMG Multi-Spoke Wheels,
Black

R01, B51

Option price: \$800

Requires Night Package (DC1PKG)





<i>Code</i>	<i>Wheel Size</i>	<i>Description</i>	<i>Wheel Dimensions</i>		<i>Mobility</i>	<i>Availability</i>	<i>MSRP</i>
04R	18"	Multi-Spoke Wheels	225/45 R 18 on 7.5J x 18 ET 49 225/45 R 18 on 7.5J x 18 ET 49	(Front) (Rear)	R02, R66	All Models	\$ 0 <i>Not w/ AMG Line (DG3PKG) or Night Package (DC1PKG)</i>
R96	18"	5-Spoke Wheels w/ Matte Black Accents	225/45 R 18 on 7.5J x 18 ET 49 225/45 R 18 on 7.5J x 18 ET 49	(Front) (Rear)	R02, R66	All Models	\$ 200 <i>Not w/ AMG Line (DG3PKG) or Night Package (DC1PKG)</i>
R55	19"	Twin 5-Spoke Wheels	225/40 R 19 on 7.5J x 19 ET 49 225/40 R 19 on 7.5J x 19 ET 49	(Front) (Rear)	R02, R66	All Models	\$ 500 <i>Not w/ AMG Line (DG3PKG) or Night Package (DC1PKG)</i>
RQS	18"	AMG Twin 5-Spoke Wheels	225/45 R 18 on 7.5J x 18 ET 49 225/45 R 18 on 7.5J x 18 ET 49	(Front) (Rear)	R02, R66	All Models	\$ 0 <i>Requires AMG Line (DG3PKG)</i>
RQT	18"	AMG Twin 5-Spoke Wheels w/ Black Accents	225/45 R 18 on 7.5J x 18 ET 49 225/45 R 18 on 7.5J x 18 ET 49	(Front) (Rear)	R02, R66	All Models	\$ 0 <i>Requires Night Package (DC1PKG)</i>
RVG	19"	AMG Multi-Spoke Wheels	225/40 R 19 on 7.5J x 19 ET 49 225/40 R 19 on 7.5J x 19 ET 49	(Front) (Rear)	R01, B51	All Models	\$ 500 <i>Requires AMG Line (DG3PKG)</i>
RVK	19"	AMG Multi-Spoke Wheels, Black	225/40 R 19 on 7.5J x 19 ET 49 225/40 R 19 on 7.5J x 19 ET 49	(Front) (Rear)	R01, B51	All Models	\$ 800 <i>Requires Night Package (DC1PKG)</i>

Interior Upholstery – MB-Tex



111 – Black

Option price: \$0

(Sport Seats)

Not w/ AMG Line (DG3PKG) or Night Package (DC1PKG)



115 – Macchiato Beige

Option price: \$0

(Sport Seats)

Not w/ AMG Line (DG3PKG) or Night Package (DC1PKG)



159 – Neva Grey / Black

Option price: \$0

(Sport Seats)

Requires AMG Line (DG3PKG) or Night Package (DC1PKG)



651 – Black w/ DINAMICA inserts and red topstitching

Option price: \$0

(Sport Seats)

Requires AMG Line (DG3PKG) or Night Package (DC1PKG)



Interior Upholstery – Leather



211 – Black

Option price: \$1,450

(Sport Seats)

Requires Heated Seats (873) or Heated/Ventilated Seats (401)



204 – Bahia Brown

Option price: \$1,450

(Sport Seats)

Requires Heated Seats (873) or Heated/Ventilated Seats (401)



257 – Classic Red/Black

Option price: \$1,450

(Sport Seats)

Requires AMG Line (DG3PKG) or Night Package (DC1PKG)
Requires Heated Seats (873) or Heated/Ventilated Seats (401)



258 – Titanium Grey/Black

Option price: \$1,450

(Sport Seats)

Requires AMG Line (DG3PKG) or Night Package (DC1PKG)
Requires Heated Seats (873) or Heated/Ventilated Seats (401)



<i>Code</i>	<i>Upholstery</i>	<i>Seats</i>	<i>Floor Mats</i>	<i>Upper Dash/Lower Dash</i>	<i>Seat Belts</i>	<i>Steering Wheel</i>	<i>Headliner</i>
101	Black MB-Tex	Black	Black	Black/Black	Black	Black	Grey
105	Macchiato Beige MB-Tex	Macchiato Beige	Black	Black/Macchiato Beige	Black	Black	Black
159	Neva Grey/Black MB-Tex	Neva Grey/Black	Black	Black/Black	Black	Black	Black
651	Black MB-Tex <i>with DINAMICA inserts & red topstitching</i>	Black	Black	Black/Black	Black	Black	Black
211	Black leather	Black	Black	Black/Black	Black	Black	Black
204	Bahia Brown leather	Bahia Brown	Black	Black/Black	Black	Black	Black
257	Classic Red/Black leather	Classic Red/Black	Black	Black/Black	Black	Black	Black
258	Titanium Grey/Black leather	Titanium Grey/Black leather	Black	Black/Black	Black	Black	Black



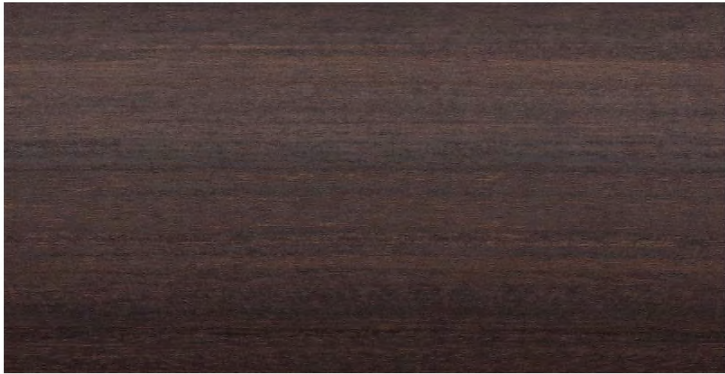
H45
Aluminum (linear grain)
Standard



H44
Brushed Aluminum (longitudinal grain)
Option price: \$0



H15
Natural Grain Black Linden Wood
Option price: \$325



H23
Natural Grain Brown Walnut Wood
Option price: \$325
Not available w/ upholstery 257 or 258





<i>Code</i>	<i>Packages</i>	<i>Availability</i>	<i>MSRP</i>
DP1PKG	Premium Package <ul style="list-style-type: none"> ▪ Blind Spot Assist (234) <i>includes Exit Warning Assist</i> ▪ 10.25" Digital Instrument Cluster (458) ▪ 10.25" Media Display with Touchscreen (859) ▪ Mirror Package (P49): Auto-dimming rearview and driver-side mirrors (249) + Power-folding side mirrors (500) 	All Models	\$ 1,650
DA2PKG	Driver Assistance Package <i>Requires Premium Package (DP1PKG) and Multimedia Package (DA5PKG)</i> <ul style="list-style-type: none"> ▪ Driver Assistance Package (23P): <ul style="list-style-type: none"> - Active Distance Assist DISTRONIC - Active Speed Limit Assist - Route-Based Speed Adaptation - Active Steering Assist - Active Lane Changing Assist - Active Emergency Stop Assist - Active Brake Assist with Cross-Traffic Function - Evasive Steering Assist - Active Lane Keeping Assist - Active Blind Spot Assist - PRE-SAFE® PLUS with PRE-SAFE® Sound 	All Models	\$ 2,250
DA3PKG	Parking Assistance Package <i>Requires Blind Spot Assist (234)</i> <ul style="list-style-type: none"> ▪ Active Parking Assist (235) ▪ Surround View System (501) 	All Models	\$ 1,090
DA4PKG	Exterior Lighting Package <ul style="list-style-type: none"> ▪ Adaptive Highbeam Assist (608) ▪ Active LED Headlamps (640) 	All Models	\$ 900



<i>Code</i>	<i>Packages</i>	<i>Availability</i>	<i>MSRP</i>
DA5PKG	<p>Multimedia Package <i>Requires Premium Package (DP1PKG)</i></p> <ul style="list-style-type: none"> ▪ MB Navigation (365) ▪ Traffic Sign Assist (513) ▪ MBUX Augmented Reality for Navigation (U19) 	All Models	\$ 1,150
DG3PKG	<p>AMG Line</p> <ul style="list-style-type: none"> ▪ AMG Line (950): - Direct-Steer System (213) - Lowered Comfort Suspension (677) - AMG Body Styling (772) - Multifunction Sport Steering Wheel in Nappa Leather (L5C) - 18" AMG Twin 5-Spoke Wheels (RQS) - Floor mats in black with AMG inscription (U26) - Upholstery 651 or 159 - AMG sports pedals in brushed stainless steel with rubber studs - Diamond-block grille with chrome pins and silver louvre with inlay in high-gloss chrome - Brakes w/ perforated front brake discs & front calipers w/ Mercedes-Benz logo 	All Models	\$ 2,600
DC1PKG	<p>Night Package <i>Requires AMG Line (DG3PKG)</i></p> <ul style="list-style-type: none"> ▪ Night Package (P55): - 18" AMG Twin 5-Spoke Wheels w/ Black Accents (RQT) - Exterior mirror housings painted in black - Diamond-block grille with pins in chrome and louvre painted in high-gloss black with inlay in high-gloss chrome - Front splitter painted in high-gloss black - Rear apron with trim painted in high-gloss black - Beltline trim strip and window line trim in high-gloss black 	All Models	\$ 400

Stand-Alone Options



<i>Code</i>	<i>Options</i>	<i>Availability</i>	<i>MSRP</i>
232	Garage Door Opener <i>Requires Premium Package (DP1PKG)</i>	All Models	\$ 280
234	Blind Spot Assist <i>incl. Exit Warning Assist</i>	All Models	\$ 550
401	Heated and Ventilated Seats <i>Not w/ upholstery 651 or Heated Front Seats (873)</i>	All Models	\$ 1,030
443	Steering Wheel Heating <i>Adds non-flattened steering wheel (L3B) – also with AMG Line (DG3PKG)</i>	All Models	\$ 250
459	Suspension with Adaptive Damping System <i>incl. Direct-Steer System</i>	All Models	\$ 850
463	Head-Up Display	All Models	\$ 990
536	SiriusXM® Radio	All Models	\$ 460
810	Burmester® Surround Sound System	All Models	\$ 850
873	Heated Front Seats	All Models	\$ 580
877	64-Color Ambient Lighting <i>Front chrome air vents interior changes to chrome instead of black</i>	All Models	\$ 310
897	Inductive Wireless Charging & NFC Pairing	All Models	\$ 200
77B	MBUX Interior Assistant (Gesture Control) <i>-available from December 2019-</i> <i>Requires Premium Package (DP1PKG)</i>	All Models	\$ 300

<i>Code</i>	<i>Special Order Options (additional charge of \$250)</i>	<i>Availability</i>	<i>MSRP</i>
293	Sidebags in the Rear	All Models	\$ 420

Stand-Alone Options



Code	VPC Installed Accessories	Availability	MSRP
D03	Illuminated Star <i>Not w/ Driver Assistance Package (DA2PKG)</i>	All Models	\$ 450
D06	Illuminated Door Sills	All Models	\$ 500
D07	Wheel Locking Bolts	All Models	\$ 150
D08	Chrome Door Handle Inserts	All Models	\$ 100
D10	Rear Spoiler <i>Not w/ Rear Spoiler Carbon Style (D20) or Rear Spoiler Black (D21)</i>	All Models	\$ 300
D16	LED Logo Projector	All Models	\$ 275
D19	Rear Chrome Trim	All Models	\$ 200
D20	Rear Spoiler Carbon Style <i>Not w/ Rear Spoiler (D10) or Rear Spoiler Black (D21)</i>	All Models	\$ 300
D21	Rear Spoiler Black <i>Not w/ Rear Spoiler (D10) or Rear Spoiler Carbon Style (D20) or paints 191 or 696</i>	All Models	\$ 300
D25	USB-C Adapter Cable	All-Models	\$ 25
D30	Front Spoiler Carbon Style <i>Not w/ AMG Line (DG3PKG) or Night Package (DC1PKG)</i>	All Models	\$ 350
D33	All-Weather Mats	All Models	\$ 120



Comparison Standard vs. AMG Line



Standard



AMG Line (DG3PKG)



Comparison AMG Line vs. AMG Line + Night Package



AMG Line (DG3PKG)



AMG Line (DG3PKG) + Night Package (DC1PKG)





Comparison 7" Screen vs. 10.25" Screen



2x 7" Screen

Standard on CLA 250 and CLA 250 4MATIC



2x 10.25" Screen

Requires Premium Package (DP1PKG)

Comparison Steering Wheels



Multifunction Steering Wheel in Leather (L3E)
w/ touch control buttons and shift paddles
Standard on CLA 250 and CLA 250 4MATIC



Multifunction Steering Wheel in Leather (L3B)
w/ touch control buttons and shift paddles
Requires Steering Wheel Heating (443)

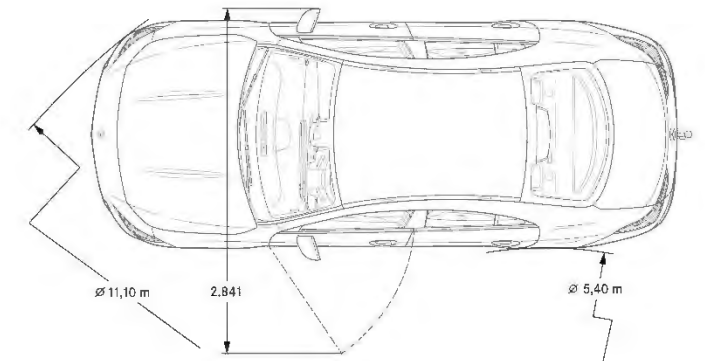
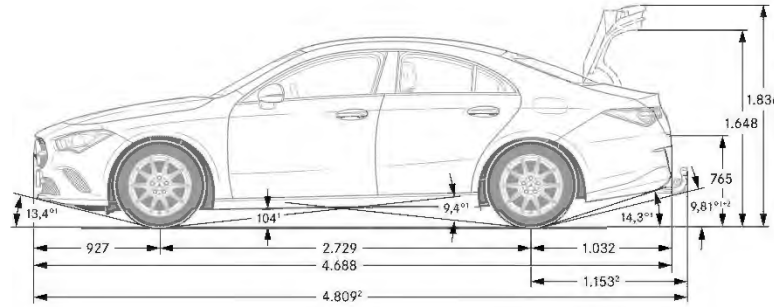
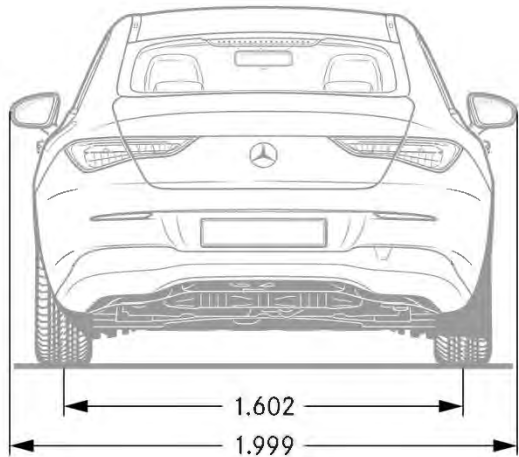
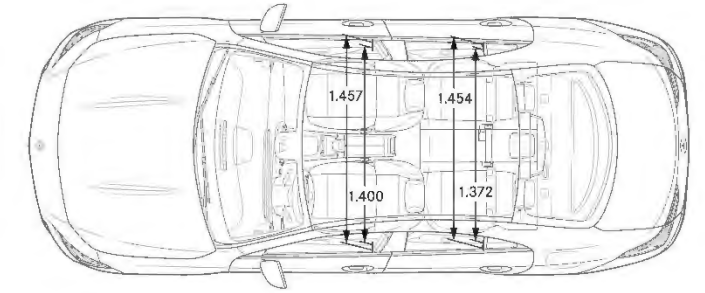
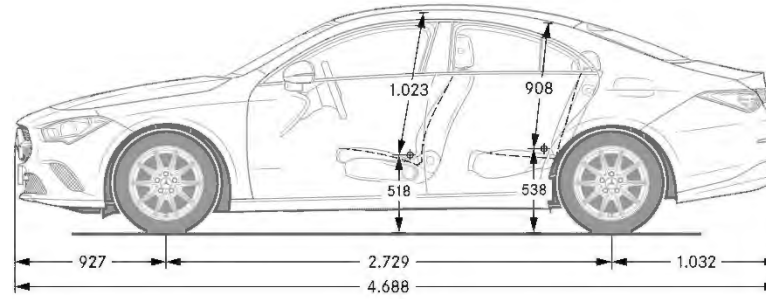
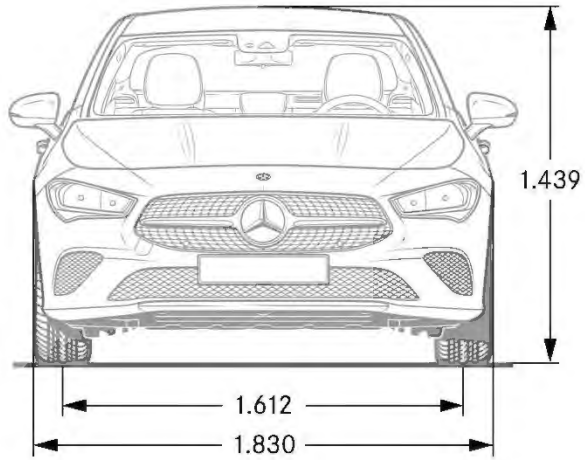


Multifunction Sport Steering Wheel in Nappa Leather (L5C)
w/ touch control buttons, shift paddles in chrome, perforated grip area
and flattened bottom section
Requires AMG Line (DG3PKG) or Night Package (DC1PKG)

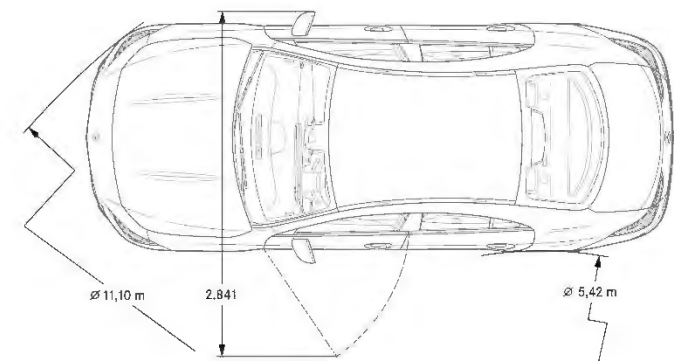
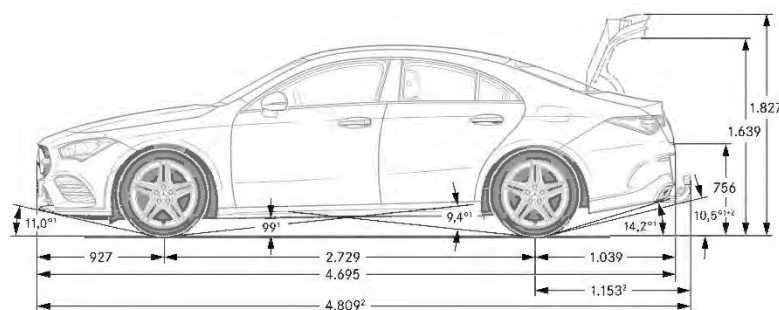
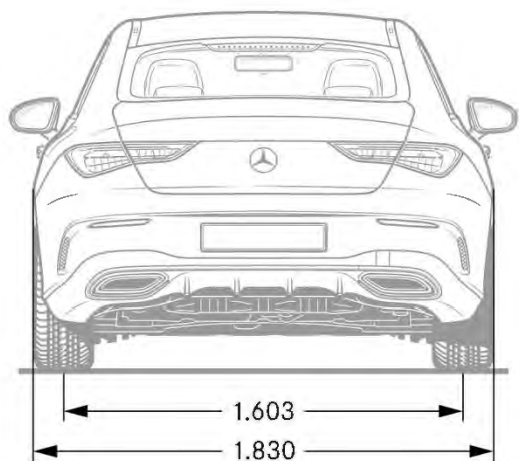
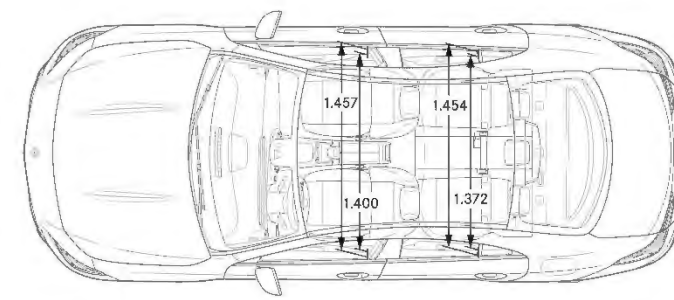
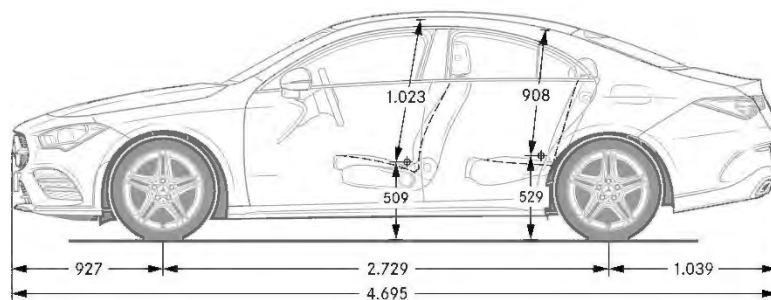
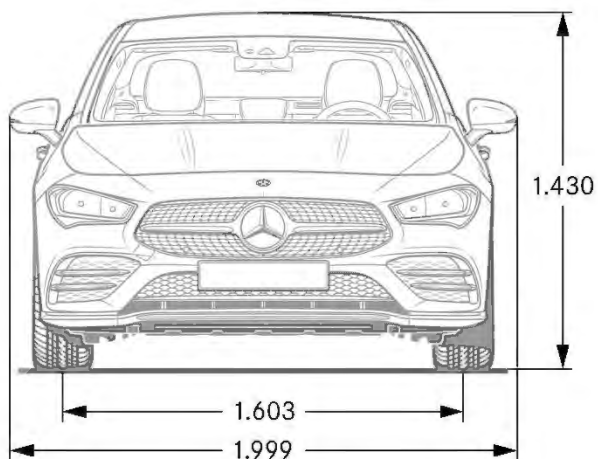


	<i>CLA 250</i>	<i>CLA 250 4MATIC</i>
Engine Configuration	2.0L inline-4 turbo	2.0L inline-4 turbo
Power (hp)	221	221
Torque (lb-ft)	258 @ 1,800-4,000 rpm	258 @ 1,800-4,000 rpm
Displacement (cc)	1,991	1,991
Acceleration 0-60 mph (sec)	6.3	6.3
Fuel Economy (Cty/Hwy/Comb)	tba	tba
Top Speed (mph)	130	130
Fuel Requirement (Octane)	91	91
# Valves per cylinder	4	4
Compression	10.5 : 1	10.5 : 1
Transmission	DCT (Dual Clutch Transmission)	DCT (Dual Clutch Transmission)
Transmission Speeds	7	7
Drive Configuration	Front Wheel Drive	Variable-Torque All-Wheel Drive
Fuel Tank Size (gallons)	13.5	13.5
Trunk Size (cubic feet)	tba	tba
Curb Weight (lbs)	3,362	3,483
Vehicle Length (in.)	184.6	184.6
Vehicle Width w/ exterior mirrors (in.)	78.7	78.7
Vehicle Height (in.)	56.7	56.7
Wheelbase (in.)	107.4	107.4
Track Width Front/Rear (in.)	63.5 / 63.1	63.5 / 63.1

Specifications – CLA 250/CLA 250 4MATIC



Specifications – CLA 250/CLA 250 4MATIC with AMG Line



AMG CLA Coupe



C118

Model Year 2020

Preliminary – Subject to Change



CLA 35 (118.351)

- **tba**
- AMG-enhanced 2.0L Inline-4 Turbo Engine
- 302 hp
- 295 lb-ft
- 4.8 sec (0-60 mph)
- Launch date: Q4 2019



CLA 45 (118.353)

- **tba**
- Handcrafted AMG 2.0L Inline-4 turbo engine
- 382 hp
- 354 lb-ft
- 4.0 sec (0-60 mph)
- Launch date: Q4 2019

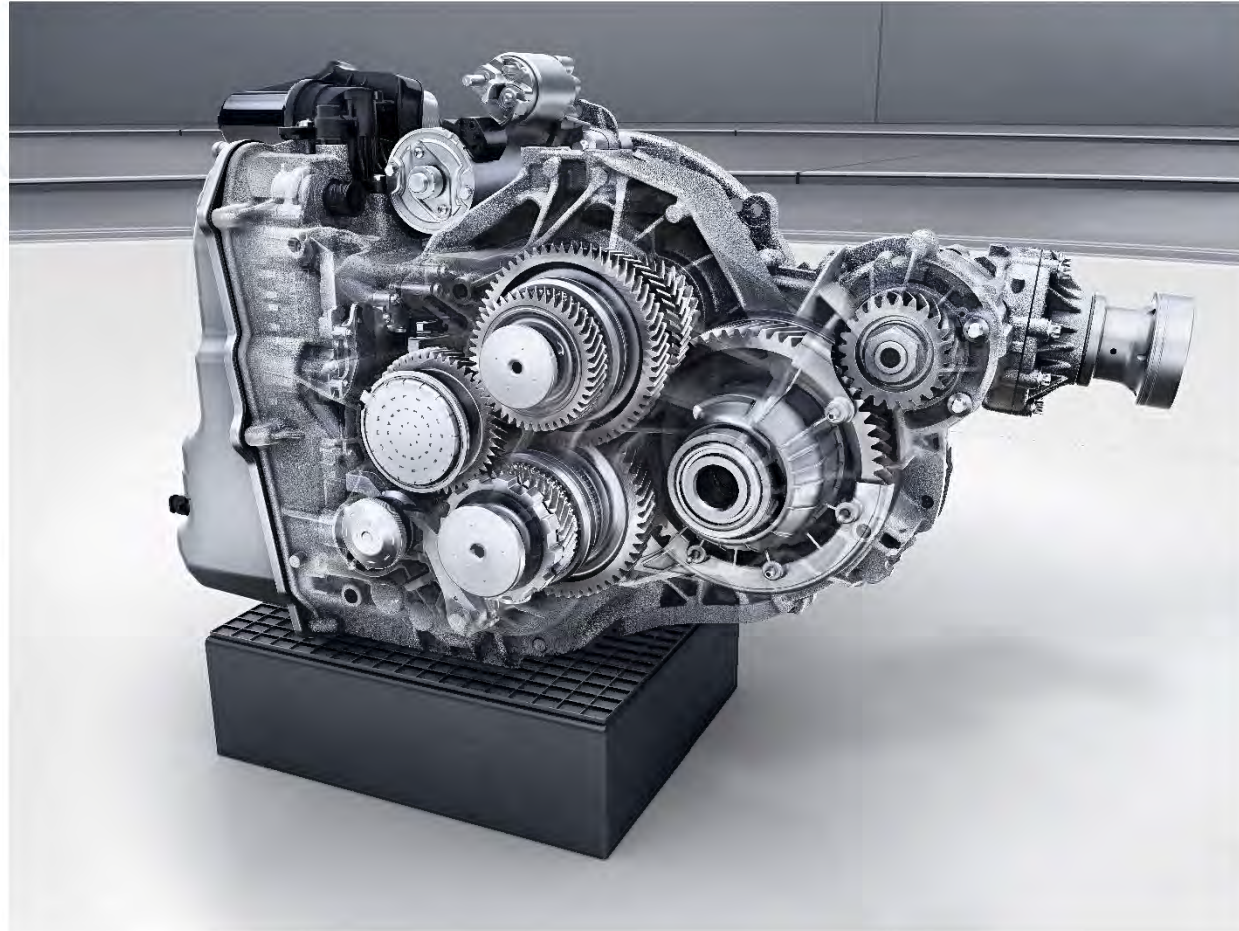
Exterior CLA 35 Highlights



Exterior CLA 45 Highlights



AMG SPEEDSHIFT DCT 7-Speed Transmission (429)



AMG SPEEDSHIFT DCT 7-Speed Transmission (429)

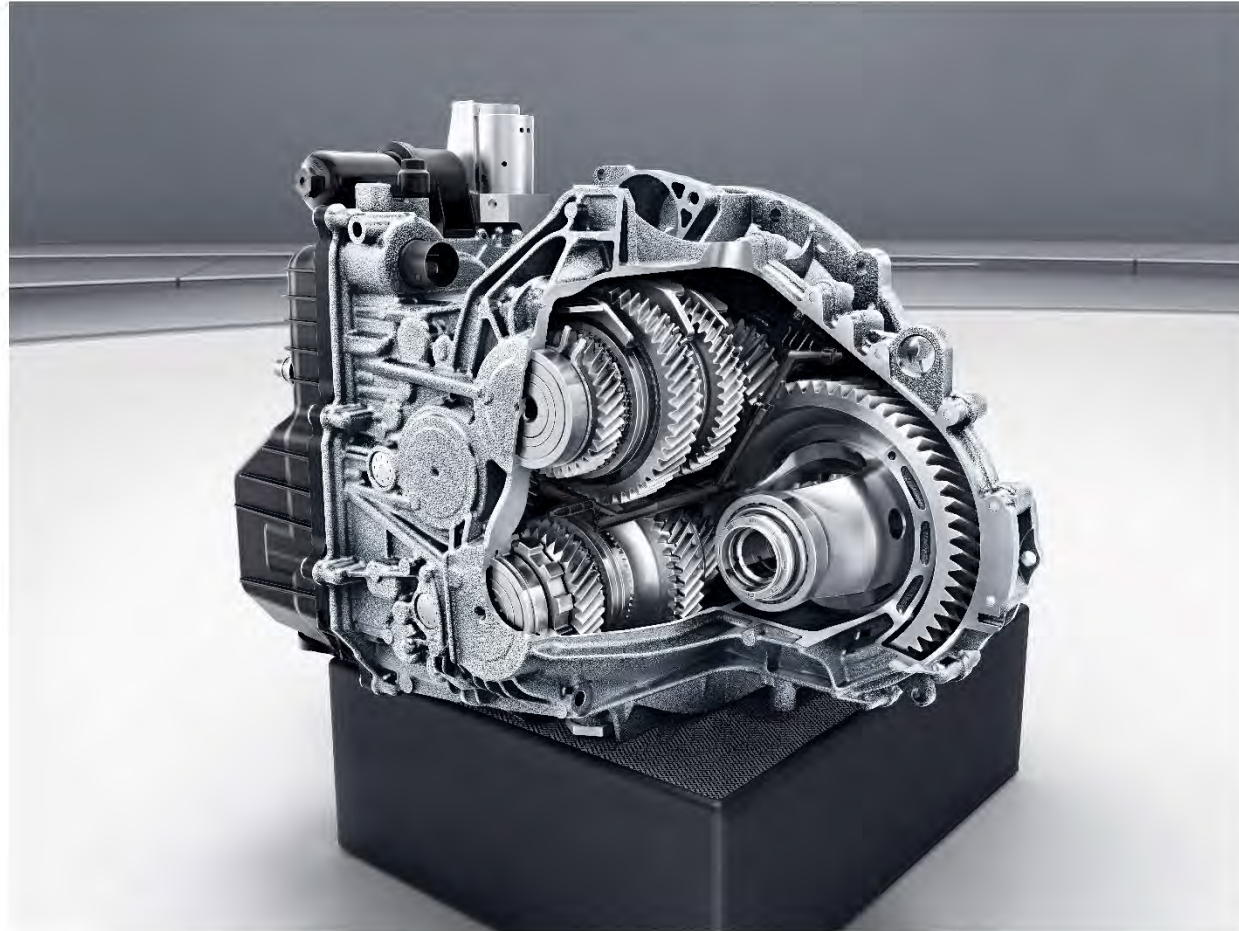
Standard on CLA 35

The transmission provides specific drive settings for the different drive programs, with a broad differentiation between the respective modes. When you activate the Slippery or Comfort mode via AMG DYNAMIC SELECT, the emphasis is on smooth and early shifting. Driving dynamics increase in steps with Sport and Sport+ mode, with noticeably shorter shift times. In the additional drive program Individual, you are able to set the transmission characteristics according to your very own personal preferences.

In manual mode "M" you control gear-changing yourself, using the ergonomic shift paddles on the steering wheel. When shifting up, the partial ignition cut-off also unfolds an impressive sound experience. When you shift down, the benefits of the double-declutching function extend far beyond the highly emotional sound. This is because the function stabilizes the vehicle and minimizes unwanted load change reactions: for example when braking before cornering. This supports a particularly dynamic driving style. You can access the full acceleration potential of your vehicle with the RACE START function - in drive programs Sport and Sport+. Increased pulling-away engine speed in combination with optimum shift timing points results in maximum traction. RACE START remains active for as long as you fully hold down the accelerator pedal.

- Two sub-transmissions: one transfers the tractive power to the wheels, while the other already preselects the next gear
- With a kick-down, the electronic control jumps individual gears
- Specific drive system settings (depending on selected AMG DYNAMIC SELECT drive program) with different shift characteristics
- Manual transmission mode can be set in each drive program
- RACE START function ensures optimal acceleration from rest
- Momentary M mode: change to "M" by actuating the shift paddles
- Partial ignition cut-off when upshifting
- Automatic double-declutching function when downshifting
- ECO start/stop function in the Comfort drive program
- Gliding function can be selected via the Individual drive program

AMG SPEEDSHIFT DCT 8-Speed Transmission (426)



AMG SPEEDSHIFT DCT 8-Speed Transmission (426)

Standard on CLA 45

In manual mode "M" you control gear changes yourself – ergonomically and at lightning speed using the shift paddles on the steering wheel. When shifting up, the partial ignition cut-off also unfolds an impressive sound experience. When you shift down, the benefits of the double-declutching function extend far beyond the highly emotional sound. That's because the function aligns the speed of the engine and transmission, thus stabilizing the vehicle and minimizing unwanted load change reactions, such as when braking before bends. This supports a particularly dynamic driving style.

You can access the full acceleration potential of your vehicle with the RACE START function - in drive programs Sport, Sport+ and "RACE" modes (**RACE only available with DE6 Dynamics Plus Package**). Increased pulling-away engine speed in combination with optimum shift timing points results in maximum traction. Standard RACE START remains active for as long as you fully hold down the accelerator pedal.

- Two sub-transmissions: one transfers the tractive power to the wheels, while the other already preselects the next gear
- With a kick-down, the electronic control jumps individual gears
- Specific drive system settings (depending on selected AMG DYNAMIC SELECT drive program) with different shift characteristics
- Manual transmission mode can be set in each drive program
- RACE START function ensures optimal acceleration from rest
- Momentary M mode: change to "M" by actuating one of the shift paddles
- Partial ignition cut-off when upshifting
- Automatic double-declutching function when downshifting
- ECO start/stop function in the Comfort drive program
- Gliding function can be selected via the Individual drive program

AMG Packages

AMG Night Package

Option Cost \$750

- Front splitter and trim on the louvres in the outer air intakes in high-gloss black
- AMG side sill panels with inserts in high-gloss black
- Beltline trim strip and window line trim strip in high-gloss black
- Exterior mirror housing in high-gloss black
- Chrome plated tailpipe trim in black



AMG Packages

AMG Night Package and AMG Aerodynamics Package

- Front apron with larger front splitter and adapted flics in the side air intake in high-gloss black
- Larger rear AMG spoiler lip in high-gloss black
- Lateral airflow breakaway edges around the simulated air outlets in the rear apron in high-gloss black
- Diffuser blade in high-gloss black



Performance & Handling

- Handcrafted AMG 2.0L inline-4 turbo engine with direct injection *CLA45*
- AMG SPEEDSHIFT® DCT 7-Speed (Dual Clutch Transmission) *CLA35*
- AMG SPEEDSHIFT® DCT 8-Speed (Dual Clutch Transmission) *CLA45*
- AMG Sport Suspension
- AMG DYNAMIC SELECT
- AMG Performance 4MATIC *CLA35*
- AMG Performance 4MATIC+ *CLA45*
- 3-Stage Electronic Stability Program (ESP)
- 18" AMG 5-Spoke Wheels w/ Black Accents *CLA35*
- 19" AMG Cross-Spoke Wheels *CLA45*

Comfort & Convenience

- Panorama Roof
- LED Headlamps
- AMG Design trim or Aluminum trim
- Smartphone Integration
- KEYLESS-START
- KEYLESS GO with Hands Free Access *CLA45*
- 2-Zone Climate Control
- Rain-Sensing Windshield Wipers
- 10.25" Digital Instrument Cluster & 10.25" Touchscreen Multimedia Display
- Touchpad (new generation)
- 5 USB-C ports (**note: adapter will be required to connect to USB-A devices**)
- Auto-dimming and Power folding mirrors *CLA45*
- 8-Way Power Driver and Passenger Seats with 3-Position Memory
- Rear Seat Center Armrest incl. Illuminated Dual Cupholder
- Ambient Lighting
- Mercedes-Benz User Experience (MBUX)
- Voice Control, including Natural Language Understanding and Keyword Activation ("Hey Mercedes")
- Electronic Parking Brake
- Bluetooth® Connectivity
- Multifunction Leather Steering Wheel with Shift Paddles
- Automatic Light-Sensing Headlamps
- Split-Folding Rear Seats (40/20/40)
- Mercedes me connect Services w/ Trial Period

Safety & Security

- Rearview Camera
- Blind Spot Assist *CLA45*
- Active Brake Assist
- Adaptive Braking Technology: Predictive Brake Priming, Hill-Start Assist, Automatic Brake Drying and Brake HOLD Function
- Antitheft Alarm
- Eight air bags (2x Front/Side/Window/Knee)
- Crosswind Assist
- Mercedes-Benz Emergency Call Service

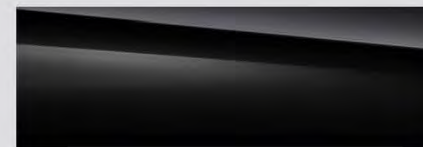
Non-metallic Paints



149
Polar White
Option price: \$0



589
Jupiter Red *(until 12/2019)*
Option price: \$0



696
Night Black
Option price: \$0



914
Sun Yellow
Option price: \$0

Metallic Paints



144
Digital White
Option price: \$720



191
Cosmos Black
Option price: \$720



667
Denim Blue
Option price: \$720



775
Iridium Silver *(from 11/2019)*
Option price: \$720



787
Mountain Grey
Option price: \$720



859
Mojave Silver
Option price: \$720



993
Patagonia Red *(from 12/2019)*
Option price: **\$TBD**

designo[®] Paints *designo* Paints



662
designo[®] Mountain Grey Magno
Option price: \$2,500



RQT
 18" AMG Twin 5-Spoke Wheels
 w/ Black Accents
 R02, R66
 CLA45 Option price: \$0
Standard

RVH
 19" AMG Multi-Spoke Wheels
 w/ Black Accents
 R01, B51
 CLA35 Option price: \$500

RVL
 19" AMG Multi-Spoke Wheels,
 Matte Black
 R01, B51
 CLA35 Option price: \$800

RTI
 19" AMG Twin 5-Spoke Wheels
 w/ Black Accents
 R01, B51
 CLA35 Option price: \$800



RUS
 18" AMG 10-Spoke Wheels
 R01, B51
 CLA45 Option price: \$0
Not available w/ Night Package

RTG
 19" AMG Twin 5-Spoke Wheels
 R01, B51
 CLA45 Option price: \$0
Standard

RSX
 19" AMG Twin 5-Spoke Wheels,
 Matte Black
 R01, B51
 CLA45 Option price: \$500

RSY
 19" AMG Cross-Spoke Forged
 Wheels
 R01, B51
 CLA45 Option price: \$1250
Not available w/ Night Package

RSZ
 19" AMG Cross-Spoke Forged
 Wheels, Matte Black
 R01, B51
 CLA45 Option price: \$1750

**model shown with U70*

<i>Code</i>	<i>Wheel Size</i>	<i>Description</i>	<i>Wheel Dimensions</i>	<i>Mobility</i>	<i>Availability</i>	<i>MSRP</i>
RQT	18"	AMG 5-Spoke Wheels w/ Black Accents	235/40 R 18 on 8.0J x 18 ET 49 (Front) 235/40 R 18 on 8.0J x 18 ET 49 (Rear)	R02, R66	CLA 35 Standard	\$ 0
RVH	19"	AMG Multi-Spoke Wheels w/Black Accents	245/35 R 19 on 8.5J x 19 ET 55 (Front) 245/35 R 19 on 8.5J x 19 ET 55 (Rear)	R01, B51	CLA 35	\$ 0
RVL	19"	AMG Multi-Spoke Wheels, Matte Black	245/35 R 19 on 8.5J x 19 ET 55 (Front) 245/35 R 19 on 8.5J x 19 ET 55 (Rear)	R01, B51	CLA 35	\$ tbd
RTI	19"	AMG Twin 5-Spoke Wheels w/Black Accents	235/35 R 19 on 8.0J x 19 ET 40 (Front) 235/35 R 19 on 8.0J x 19 ET 40 (Rear)	R01, B51	CLA 35	\$ 0
RUS	18"	AMG 10-Spoke Wheels	245/40 R 18 on 8.5J x 18 ET 46 (Front) 245/40 R 18 on 8.5J x 18 ET 46 (Rear)	R01, B51	CLA 45	\$ 0
RTG	19"	AMG Twin 5-Spoke Wheels	255/35 R 19 on 9.0J x 19 ET 52 (Front) 255/35 R 19 on 9.0J x 19 ET 52 (Rear)	R01, B51	CLA 45 Standard	\$ 0
RSX	19"	AMG Twin 5-Spoke Wheels, Matte Black	255/35 R 19 on 9.0J x 19 ET 52 (Front) 255/35 R 19 on 9.0J x 19 ET 52 (Rear)	R01, B51	CLA 45	\$ 500
RSY	19"	AMG Cross-Spoke Forged Wheels	255/35 R 19 on 9.0J x 19 ET 52 (Front) 255/35 R 19 on 9.0J x 19 ET 52 (Rear)	R01, B51	CLA 45	\$ tbd
RSZ	19"	AMG Cross-Spoke Forged Wheels, Matte Black	255/35 R 19 on 9.0J x 19 ET 52 (Front) 255/35 R 19 on 9.0J x 19 ET 52 (Rear)	R01, B51	CLA 45	\$ tbd



159 – Neva Grey / Black

Option price: \$0

(Sport Seats)

Requires Heated Seats (873) or Heated/Ventilated Seats (401)



651 – Black w/ DINAMICA inserts and red topstitching

Option price: \$0

(Sport Seats)

Requires AMG Line (DG3PKG) or Night Package (DC1PKG)



211 – Black

Option price: \$1,450

(Sport Seats)

Includes MB-Tex dashboard (P34) and requires Heated Seats (873) or Heated/Ventilated Seats (401)



204 – Bahia Brown

Option price: \$1,450

(Sport Seats)

Includes MB-Tex dashboard (P34) and requires Heated Seats (873) or Heated/Ventilated Seats (401)



257 – Classic Red/Black

Option price: \$1,450

(Sport Seats)

Includes MB-Tex dashboard (P39) and requires Heated Seats (873) or Heated/Ventilated Seats (401)



258 – Titanium Grey/Black

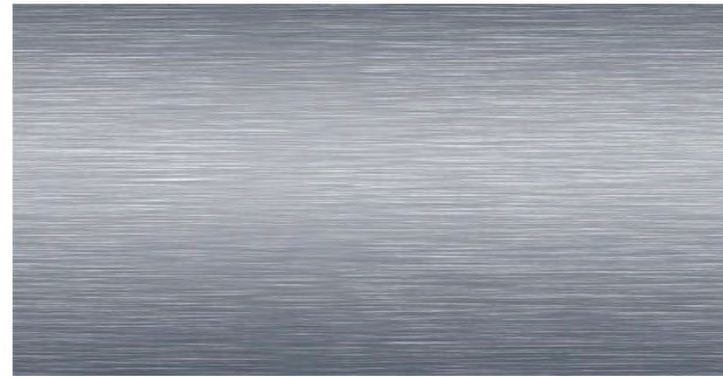
Option price: \$1,450

(Sport Seats)

Includes MB-Tex dashboard (P39) and requires Heated Seats (873) or Heated/Ventilated Seats (401)



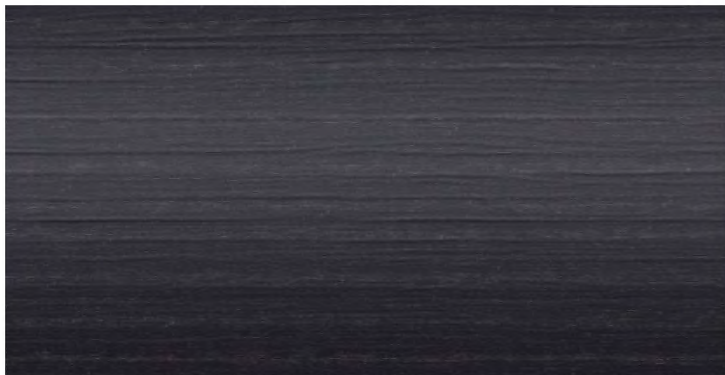
H45
Aluminum (linear grain)
Standard



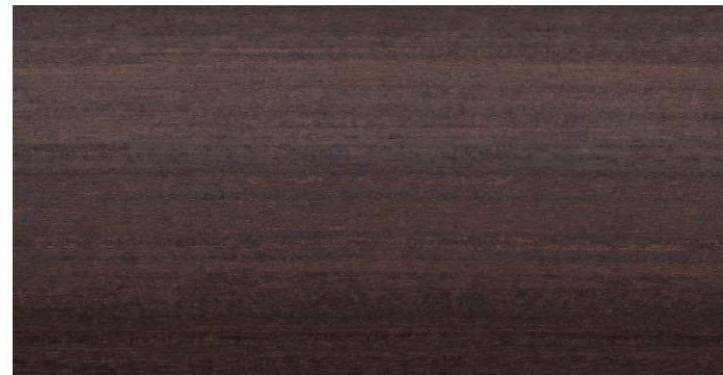
H44
Aluminum (longitudinal grain)
Option price: \$0



H95
Aluminum AMG Design
Option price: \$0



H15
Natural Grain Black Linden Wood
Option price: \$325



H23
Natural Grain Brown Walnut Wood
Option price: \$325
Not available w/ upholstery 257, 258 or 259

Steering Wheels



Multifunction Sport Steering Wheel in Nappa Leather (L5C)

w/ touch control buttons, shift paddles in chrome, perforated grip area and flattened bottom section

Standard on CLA 35 and CLA 45



AMG Performance Steering Wheel in Nappa Leather (L6J)

w/ touch control buttons, shift paddles in chrome, perforated grip area, flattened bottom section and 12-o'clock marking



AMG Performance Steering Wheel in Nappa Leather/DINAMICA (L6K)

w/ touch control buttons, shift paddles in chrome, grip area in DINAMICA microfiber, flattened bottom section and 12-o'clock marking



AMG Performance Steering Wheel in DINAMICA (L6G)

w/ touch control buttons, shift paddles in chrome, flattened bottom section, 12-o'clock marking and AMG Steering Wheel Buttons (U88)

**European model shown*

Code	Packages	Availability	MSRP
DP1PKG	Premium Package <ul style="list-style-type: none"> ▪ 234 – Blind Spot Assist (includes Exit Warning Assist) ▪ P17 – KEYLESS GO Package <ul style="list-style-type: none"> ▪ 889 – KEYLESS-GO® ▪ 871 – HANDS-FREE ACCESS ▪ P49 – Mirror Package <ul style="list-style-type: none"> ▪ 249 – Auto-dimming rearview and driver-side mirrors ▪ 500 – Power-folding side mirrors 	CLA35 CLA45	\$ tbd std
DA3PKG	Parking Assistance Package <i>Requires Blind Spot Assist (234)</i> <ul style="list-style-type: none"> ▪ P47 – Parking Package ▪ 501 – Surround View System ▪ 235 – Active Parking Assist 	All Models	\$ 1,090
DA4PKG	Exterior Lighting Package <ul style="list-style-type: none"> ▪ 608 – Adaptive Highbeam Assist ▪ 640 – Active LED Headlamps 	All Models	\$ 900
DA5PKG	Multimedia Package <i>Requires Premium Package (DP1PKG)</i> <ul style="list-style-type: none"> ▪ 365 – MB Navigation ▪ U19 – Augmented Video for Navigation ▪ 513 – Traffic Sign Assist 	All Models	\$ 1,150
DC1PKG	AMG Night Package <ul style="list-style-type: none"> ▪ P60 – Front splitter and trim on the louvres in the outer air intakes in high-gloss black AMG side sill panels with inserts in high-gloss black Beltline trim strip and window line trim strip in high-gloss black Exterior mirror housing in high-gloss black Chrome plated tailpipe trim in black 	All Models	\$ 750

<i>Code</i>	<i>Packages</i>	<i>Availability</i>	<i>MSRP</i>
DA2PKG	<p>Driver Assistance Package <i>Requires Premium Package (DP1) and Multimedia Package (DA5)</i></p> <ul style="list-style-type: none"> ▪ 23P - Driver Assistance Package Plus: <ul style="list-style-type: none"> - Active Distance Assist DISTRONIC® PLUS with extended Stop&Go Pilot - Active Steering Assist - Active Brake Assist with Cross-Traffic Function - Evasive Steering Assist - Active Lane Change Assist - Active Emergency Stop Assist - Route-Based Speed Adaptation - Active Blind Spot Assist - Active Lane Keeping Assist - PRE-SAFE® PLUS - PRE-SAFE® Sound 	All Models	\$ 2,250
DC3PKG	<p>AMG Aerodynamics Package <i>Requires AMG Night Package (DC1)</i></p> <ul style="list-style-type: none"> ▪ B26 – AMG Aerodynamics Package <ul style="list-style-type: none"> ▪ Front apron with larger front splitter and adapted flics in the side air intake in high-gloss black ▪ Larger rear AMG spoiler lip in high-gloss black ▪ Lateral airflow breakaway edges around the simulated air outlets in the rear apron in high-gloss black ▪ Diffuser blade in high-gloss black 	All Models	\$ tbd

<i>Code</i>	<i>Packages</i>	<i>Availability</i>	<i>MSRP</i>
DE4PKG	<p>AMG Performance Seat Package <i>Requires Premium Package (DP1 PKG)</i> <i>only i.c.w. 159 MB-Tex or 651 MB-Tex/DINAMICA Upholstery</i></p> <ul style="list-style-type: none"> ▪ PBY – AMG Performance Seat Package ▪ 555 – AMG Performance Seats by RECARO® ▪ 873 – Heated Front Seats 	All Models	\$ Tbd
DE5PKG	<p>AMG Performance Seat Package Advanced <i>Requires Premium Package (DP1 PKG)</i> <i>only i.c.w. 211 or 204 Leather upholstery</i></p> <ul style="list-style-type: none"> ▪ PBZ – AMG Performance Seat Package Advanced ▪ 555 – AMG Performance Seats by RECARO® ▪ Must choose: <ul style="list-style-type: none"> ▪ 873 – Heated Front Seats or ▪ 401 – Heated and Ventilated Front Seats 	All Models	\$ Tbd
DE6PKG	<p>AMG Dynamic Plus Package <i>Requires Premium Package (DP1PKG) and Multimedia Package (DA5PKG)</i></p> <ul style="list-style-type: none"> ▪ P71 – AMG DYNAMIC PLUS PACKAGE ▪ U70 – Larger brake system with AMG Red Brake Calipers ▪ L6K – AMG Performance Steering Wheel in Nappa Leather/DINAMICA ▪ U88 – AMG Drive Unit ▪ 459 - AMG RIDE CONTROL Sport Suspension with 2-Stage Electronic Adjustment ▪ 251 - Increased Top Speed to 167MPH ▪ ‘RACE’ and ‘DRIFT’ Modes with re-profiled steering, suspension, & transmission calibration ▪ 256 – AMG Track Pace 	CLA45	\$ tbd

Stand-Alone Options

<i>Code</i>	<i>Options</i>	<i>Availability</i>	<i>MSRP</i>
U17	Black Seatbelts (only replaces Y05 Red Seatbelts)	All models	\$ 0
U25	AMG Illuminated Door Sills	All models	\$ 350
U88	AMG Drive Unit (<i>requires L6J, L6K, L6G Steering Wheels</i>)	All models	\$ 400
Y05	Red Seatbelts (incl. in 651 Upholstery)	All models	\$ 0
232	Garage Door Opener (<i>requires DP1 Pkg</i>)	All models	\$ 280
234	Blind Spot Assist	CLA 35	\$ 550
251	Top Speed Delimiter	CLA 45	\$ 850
256	AMG Track Pace	All Models	\$ 250
401	Heated and ventilated front seats (<i>not avail w MB-Tex</i>) – <i>not possible with 873 (contained)</i>	All models	\$ 1,030
459	AMG RIDE CONTROL Sport Suspension with 2-stage Electronic Adjustment	All models	\$ 850
463	Head-Up Display	All models	\$ 1,100
536	SiriusXM Radio	All models	\$ 460

<i>Code</i>	<i>Options</i>	<i>Availability</i>	<i>MSRP</i>
77B	MBUX Interior Assistant (requires DP1 Premium Package)	All models	\$ 300
810	Burmester® Surround Sound System	All models	\$ 850
873	Heated front seats	All models	\$ 580
889	KEYLESS-GO®	All models	\$ 550
897	Inductive Wireless Charging & NFC Pairing	All models	\$ 200
900	AMG Exterior Chrome Package (not available with DC1 AMG Night Package) <ul style="list-style-type: none"> ▪ Front splitter in silver chrome ▪ Inserts in the side sill panels in silver chrome 	CLA 45	\$ tbd

<i>Code</i>	<i>Special Order Options (additional charge of \$250)</i>	<i>Availability</i>	<i>MSRP</i>
293	Rear seat side air bags	All Models	\$ 420

AMG Performance Seats (555)



AMG Performance Seats (555)

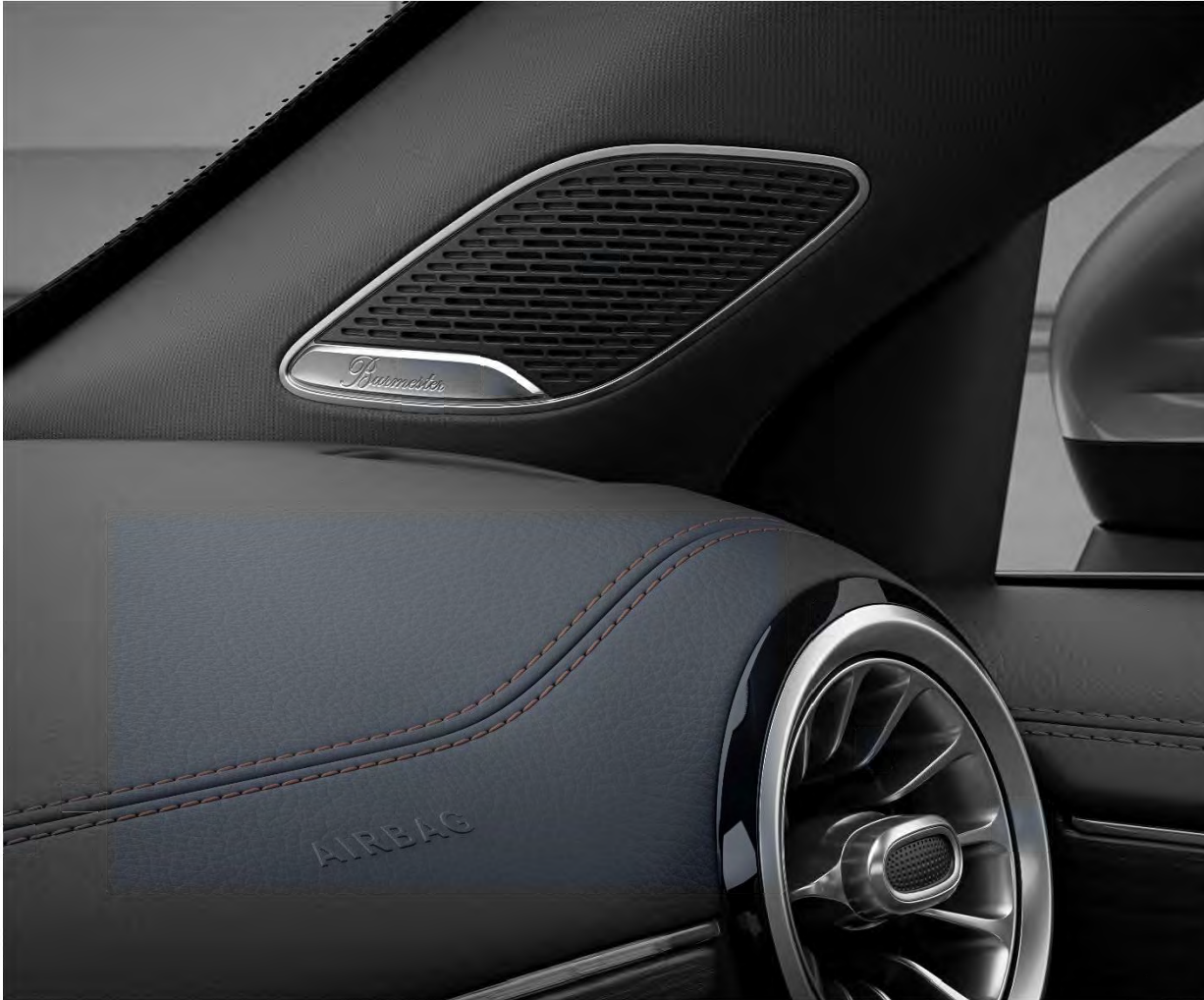
Only available in DE4 or DE5 AMG Performance Seat Packages

A host of seating options help you to find the optimum ergonomic position. Pronounced seat side bolsters reinforce your posture precisely and accommodate your sporty driving style. Thanks to seat cushion depth adjustment and a steep seating angle, your thighs are positioned comfortably and your legs are well supported and under less strain. These and other details improve comfort and fitness levels on long journeys in particular.

The special seat shape is also a clear visual highlight and significantly enhances the sports car character. The AMG badges in the seat backrests are an unmistakable sign of your sporty ambitions and consistently round off the overall image.

- AMG Performance Seats made by RECARO®
- Sportily shaped, fully power-adjustable seats for driver and front passenger
- Integral head restraints, significantly enhanced seat side bolsters and specially shaped seat cushions
- AMG badge in the seat backrests

Burmester Surround Sound (810)



Burmester Surround Sound System (810)

Experience more performance and exclusivity with the legendary Burmester sound. The high-performance speakers develop a first-class surround sound. You can specifically optimize this for the front and rear seats to intensify the listening experience. A level of quality that is also visible, thanks to the high-quality Burmester lettering.

- Premium mid-range speaker as the central speaker
- One premium mid-range speaker in each of the front and rear doors
- One premium tweeter in each front door (mirror triangle) and rear door
- Two surround mid-range speakers in the C-pillars or in the parcel shelf
- One subwoofer in the rear area
- External Class D DSP amplifier, sophisticated sound optimisation (DSP: digital signal processors)
- Burmester lettering
- Maximum total output: 590 watts

AMG Dynamic Plus Package (DE6 Package)



AMG RIDE CONTROL suspension (459)

The AMG RIDE CONTROL suspension is your key to superior performance in everyday driving and on the race track. The adaptive damping provides a broad range between a comfortable and very sporty setup. You select between Comfort, Sport or Sport+ with only one operating procedure and the suspension characteristics change immediately.



AMG High-Performance Brake System (U70)

The red-painted brake callipers of the braking system with black AMG lettering already give a visual hint of the performance level. That's because with the 6-piston brake callipers and larger, perforated brake discs with a diameter of 14.17 inches at the front you can experience superior deceleration values - even under prolonged high load.



AMG Performance Steering Wheel in Nappa / DINAMICA (L6K) with AMG steering wheel buttons (U88)

Two vertically positioned function displays on the left with rocker switch, can be freely assigned AMG functions, for example for:

- Direct selection of manual mode
- Adjustment of the AMG RIDE CONTROL suspension
- Activation/deactivation of the Electronic Stability Program (ESP®)

Function display on the right with round control knob:

- Selection of drive programs and display of currently selected mode



AMG TRACK PACE (256)

AMG TRACK PACE transforms your AMG vehicle into your virtual race engineer. With the aid of lap, sector and acceleration times plus selected live telematics data you can analyze and improve your driving skills on cordoned-off tracks in a targeted manner.

Brakes



AMG High-Performance Brake System

Standard on CLA 35

4-piston front and 1-piston rear calipers

- Front axle: brake disc measuring 13.78 inches, internally ventilated and perforated with 4-piston fixed caliper
- Rear axle: brake discs measuring 12.99 inches, internally ventilated, with single-piston floating caliper
- Silver-painted brake calipers with black AMG lettering on front, unpainted at rear



AMG High-Performance Braking System

Standard on CLA 45

4-piston front and 1-piston rear calipers

- Front axle: brake disc measuring 13.78 inches, internally ventilated and perforated with 4-piston fixed caliper
- Rear axle: brake discs measuring 12.99 inches, internally ventilated, with single-piston floating caliper
- Black (dark grey) painted brake calipers with white AMG lettering



AMG High-Performance Composite Braking System (U70)

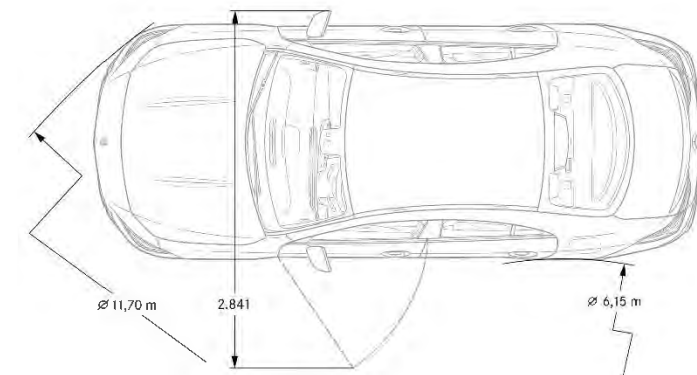
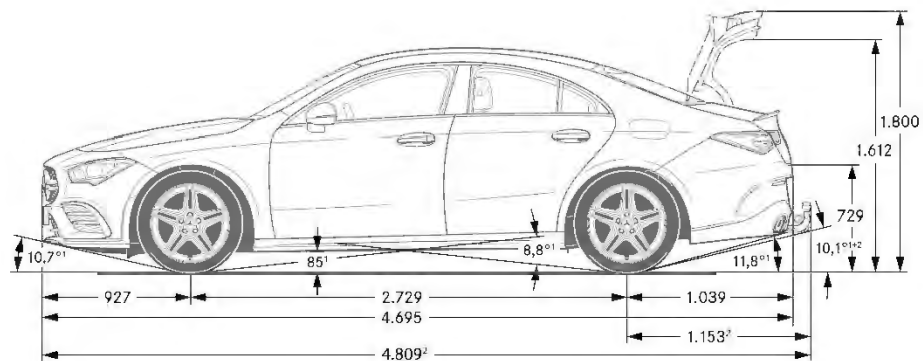
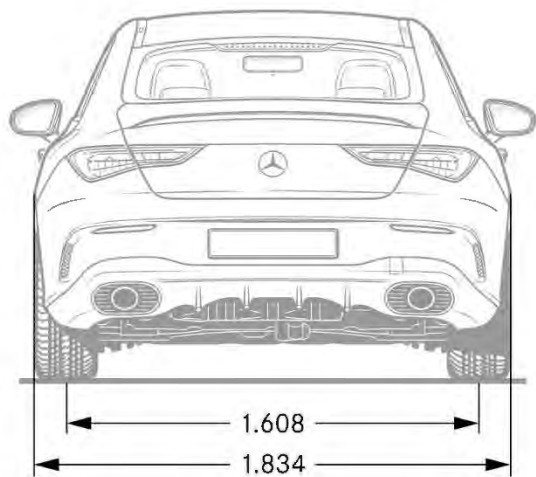
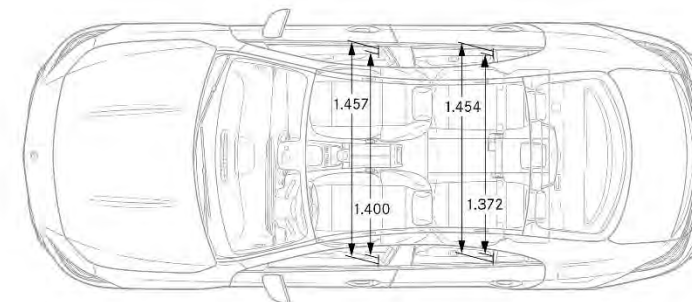
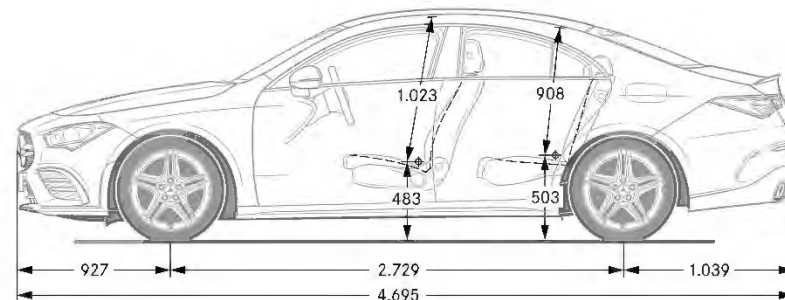
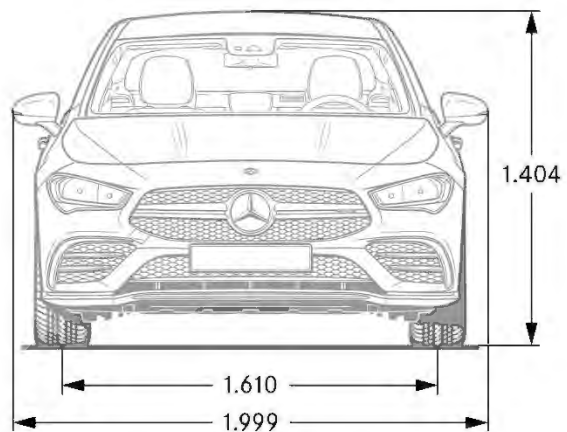
Optional on CLA 45, only icw Dynamic Plus Package

6-piston front and 1-piston rear calipers

- Front axle: brake disc measuring 14.17 inches, internally ventilated and perforated with 6-piston fixed caliper
- Rear axle: brake discs measuring 12.99 inches, internally ventilated, with single-piston floating caliper
- Red painted brake caliper with black AMG lettering

	<i>AMG CLA 35</i>	<i>AMG CLA 45</i>	<i>AMG CLA 45 Prev</i>
Engine Configuration	AMG-enhanced 2.0L inline-4 turbo	AMG Handcrafted 2.0L inline-4 turbo	Handcrafted AMG 2.0L inline-4 turbo
Power (hp)	302	382	375
Torque (lb-ft)	295 @ 3,000-4,000 rpm	354 @ 3,000-4,000 rpm	350@ 2,250 – 5000
Displacement (cc)	1,991	1,991	1,991
Acceleration 0-60 mph (sec)	4.8 est.	4.0 est.	4.1 est.
Fuel Economy (Cty/Hwy/Comb)	tba	tba	TBD
Top Speed (mph)	150	155	155
Fuel Requirement (Octane)	91	91	91
# Valves per cylinder	4	4	4
Compression	10 : 1	9 : 1	8,6 : 1
Transmission	AMG SPEEDSHIFT DCT	AMG SPEEDSHIFT DCT	AMG SPEEDSHIFT DCT
Transmission Speeds	7	8	7
Drive Configuration	AMG Performance 4MATIC	AMG Performance 4MATIC+	AMG Performance 4MATIC
Fuel Tank Size (gallons)	13.5	13.5	14.8
Trunk Size (cubic feet)	tba	tba	13.1
Curb Weight (lbs)	tba	tba	3,450
Vehicle Length (in.)	184.84	184.76	184.7
Vehicle Width w/ exterior mirrors (in.)	78.7	78.7	80.0
Vehicle Height (in.)	55.27	55.39	55.7
Wheelbase (in.)	107.4	107.4	106.3
Track Width Front/Rear (in.)	63.39 / 63.31	63.62 / 62.87	61.3 / 61.5

Specifications – CLA 35 4MATIC



Specifications – CLA 45 4MATIC+

