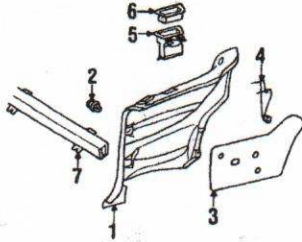


INNER STRUCTURE					
1	Outer wheelhouse	99-01R	155.00#	3.0	208 630 04 69
		99-01L	67.00#	3.0	208 630 03 69
2	Inner wheelhouse	99-01R	56.00#	6.5	208 630 02 69
		99-01L	56.00#	6.5	208 630 01 69
3	Connector	99-01R	16.50#	1.5	202 636 02 22
		99-01L	16.50#	1.5	202 636 01 22
4	Inner pillar	99-01R	39.50#	2.0	208 630 14 11
		99-01L	39.50#	2.0	208 630 13 11

LABOR: After outer panel is removed.
† LABOR: Time is for inner and outer wheelhouse. After outer panel is removed.

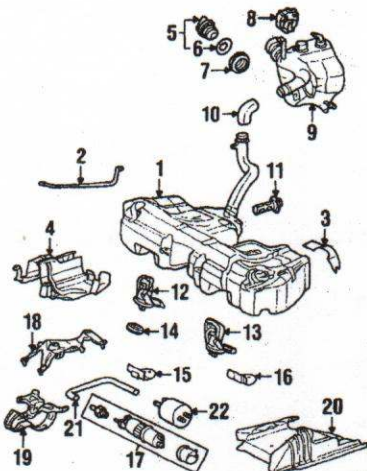


5769422

INTERIOR TRIM					
1 Lower trim panel					
	anthracite	99-01R	#	0.9	208 690 26 259870
		99-01L	#	0.9	208 690 25 259870
	quartz	99-01R	#	0.9	208 690 26 258673
		99-01L	#	0.9	208 690 25 258673
	gray	99-01R	#	0.9	208 690 26 257048
		99-01L	#	0.9	208 690 25 257048
2	clip	99-01B	.40#		006 988 43 78
3	Water shield	99-01R		0.1	208 720 10 54
		99-01L	20.50	0.1	208 720 09 54
4	Support brace	99-01R			208 690 04 38
		99-01L			208 690 03 38
5	Stop	99-01R	45.50		208 690 02 09
		99-01L	45.50		208 690 01 09
6	Cover				
	anthracite	99-01R	8.00		208 690 10 309851
		99-01L	8.00		208 690 09 309851
	quartz	99-01R	8.00		208 690 10 308689
		99-01L	8.00		208 690 09 308689
	gray	99-01R	8.00		208 690 10 307043
		99-01L	8.00		208 690 09 307043
7	Center cover				
	anthracite	99-01	162.00		208 770 00 527048
	quartz	99-01	162.00		208 770 00 528673
	gray	99-01	162.00		208 770 00 527048

PARTS: Order by color and description.
† PARTS: Part is included with lower quarter trim.

FUEL SYSTEM



5769425

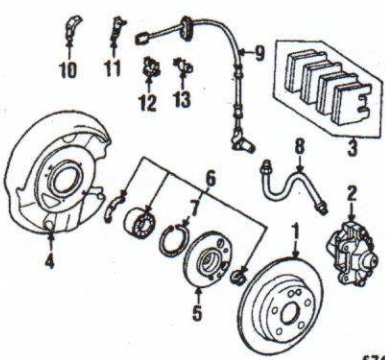
R&I OPERATIONS					
R&I fuel tank	98-01		m	6.0	

PARTS AND R&R OPERATIONS						
FUEL SYSTEM COMPONENTS						
1	Fuel tank	98-99	730.00	m	6.5	202 470 80 01
		00-01	660.00	m	6.5	202 470 88 01
2	mount strap	98-99B	12.50			202 470 10 40
		00-01B	13.50			202 470 11 40
3	shim	98-01	3.00			202 471 01 95
4	Cover	98-01	27.00			202 471 07 87

5	Filler cap	98-01	15.00			140 470 03 05
6	seal	98-01	1.00#			115 471 00 79
7	Grommet					
	coupe	98-01	33.50	0.2		202 997 26 81
	convertible					
	3.2 liter	99-01	4.00	0.2		140 997 39 81
	4.3 & 5.5 liter	00-01	33.50	0.2		202 997 26 81
8	Fuel pocket					
	3.2 liter	98-01	5.25	0.3		116 470 01 29
9	Expansion tank					
	coupe	98-01	97.00	0.3		208 470 06 89
	convertible					
	3.2 liter	99-01	150.00	0.3		208 470 04 89
	4.3 & 5.5 liter	00-01	97.00	0.3		208 470 06 89
10	Connector hose					
	coupe	98-01	11.00			202 476 73 26
	convertible					
	3.2 liter	99-01	83.00			208 476 28 26
	4.3 & 5.5 liter	00-01	11.00			202 476 73 26
11	Fuel strainer	98-01	16.50			202 470 03 06
12	Sensor	98-99R	157.00			202 470 23 41
13		98-99L	92.00			202 470 24 41
		00-01R	154.00			202 470 30 41
		00-01L	91.00			202 470 28 41
14	flange	98-01B	10.50			202 471 04 21
15	cover	98-01R	4.20			202 471 01 87
		98-01L	4.20			202 471 02 87
17	Fuel pump Assy					
	3.2 liter	98-01	195.00	m	0.9	000 470 63 94
	4.3 & 5.5 liter	99-01	300.00	m	0.9	000 470 78 94
18	upper bracket	98-01	12.00			202 478 06 40
19	lower bracket					
	3.2 liter	98-01	11.00			202 471 13 41
	4.3 & 5.5 liter	99-01	6.25			210 471 05 41
20	protector	98-01	17.00	0.3		208 478 00 37
21	Hose					
	3.2 liter	98-01	7.75			208 476 15 26
	4.3 & 5.5 liter	99-01	8.25			208 476 21 26
22	Fuel filter	98-01	48.00	m	0.5	002 477 31 01

PARTS: Part is included with filler cap.

REAR SUSPENSION



5769430

ADD IF REQUIRED					
Wheel alignment					
align rear wheels	98-01		m	1.2	
align four wheels	98-01		m	2.5	
Blood brake system	98-01		m	0.5	

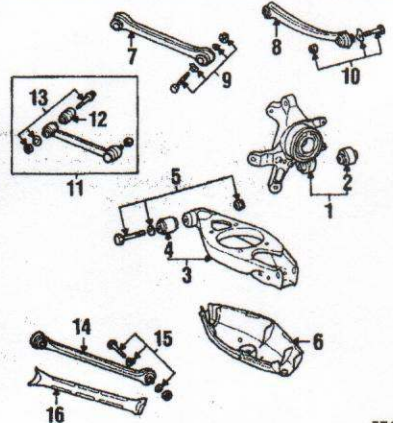
OVERHAUL OPERATIONS					
O/H suspension					
one side	98-01		m	4.5	
both sides	98-01		m	8.8	

R&I OPERATIONS					
R&I suspension					
one side	98-01		m	3.5	
both sides	98-01		m	6.8	

PARTS AND R&R OPERATIONS						
BRAKE COMPONENTS						
1	Brake rotor					
	w/o CLK55 AMG	98-01B	60.00	m	1.0	210 423 06 12
	w/CLK55 AMG	01 B	66.00	m	1.0	210 423 08 12
2	Caliper					
	w/o CLK55 AMG	98-01R	252.00	m	0.7	003 423 97 98
		98-01L	226.00	m	0.7	003 423 96 98
	w/CLK55 AMG	01 R	330.00	m	0.7	001 420 38 83
		01 L	330.00	m	0.7	001 420 37 83
3	Brake pads					
	w/o CLK55 AMG	98-01	43.50			002 420 52 20
	w/CLK55 AMG	01	94.00			002 420 05 20
4	Backing plate	98-01R	38.50#	m	0.3	210 420 15 44
		98-01L	38.50#	m	0.3	210 420 14 44
5	Hub					
	w/o CLK55 AMG	98-01B	80.00	m	3.3	201 357 17 08
	w/CLK55 AMG	01 B	108.00	m	3.3	129 357 09 08
6	Bearing Assy	98-01B	117.00	m	3.3	202 980 01 16

7	snap ring	98-01B	2.20#			201 994 16 41
8	Brake hose	98-01B	32.00	m	0.6	210 428 00 35
9	ABS sensor					
	w/o ESP	98-99R	55.00	m	0.9	202 540 28 17
		98-99R	55.00	m	0.9	202 540 27 17
	w/ESP	98-01R	47.50	m	0.9	202 540 13 17
		98-01R	47.50	m	0.9	202 540 12 17
	bracket					
10	#1	98-01B	1.40			210 546 04 43
11	#2, w/ESP only	98-01B	1.00			202 546 30 43
12	#3	98-01B	.50			202 546 32 43
13	#4	98-01B	1.40			202 546 35 43

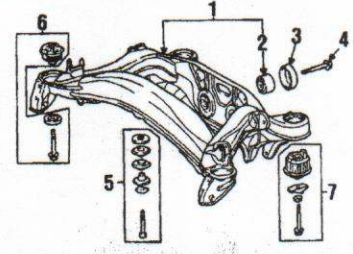
PARTS: Part is included in bearing assembly.
† LABOR: After brake disc and hub are removed.



5769435

SUSPENSION COMPONENTS						
1	Knuckle	98-01R	595.00	m	4.0	202 350 95 08
		98-01L	595.00	m	4.0	202 350 94 08
2	bushing	98-01B	42.00#			201 352 00 27
3	Control arm	98-01B	69.00	m	2.0	202 350 02 06
4	bushing	98-01B	8.75#			202 352 01 65
5	bolt Assy	98-01B	7.50			202 350 01 06
6	Lower cover	98-01B	7.75			203 352 00 88
7	Strut bar					
	front	98-01B	27.00	m	0.6	210 350 33 06
	rear	98-01B	57.00	m	0.6	210 350 34 06
	repair kit					
9	front	98-01B	5.50			210 350 45 06
10	rear	98-01B	5.50			210 350 45 06
11	Tie rod Assy	98-01B	65.00	m	0.5	210 350 21 53
12	bushing	98-01B	32.00#			201 352 88 65
13	repair kit	98-01B	11.50#			140 350 11 70
14	Thrust arm	98-01B	42.00	m	0.5	210 350 38 06
15	repair kit	98-01B	5.50			210 350 45 06
16	cover	98-01B	2.00			201 352 09 88

PARTS: Part is included with knuckle.
† PARTS: Part is included with control arm.
‡ PARTS: Part is included in tie rod assembly.



5769440

SUSPENSION MOUNTING						
1	Subframe	98	680.00	s	7.5	202 350 67 08
	w/o CLK55 AMG	99-01	780.00	s	7.5	202 350 92 08
	w/CLK55 AMG	01	920.00	s	7.5	208 350 06 08
2	rubber mount					
	w/o CLK55 AMG	98-01	33.50#			202 351 11 42
	w/CLK55 AMG	01	25.50#			129 351 19 42
3	stop	98-01	10.50			202 352 03 46
4	bolt	98-01	2.50			202 990 11 04
	Repair kit					
	to axle housing					
5	front	98-01	33.50			208 350 00 08
6	to floor					
7	front	98-01	95.00			124 350 64 08
	rear	98-01	67.00			202 350 34 08

PARTS: Part is included with subframe.
CONTINUED