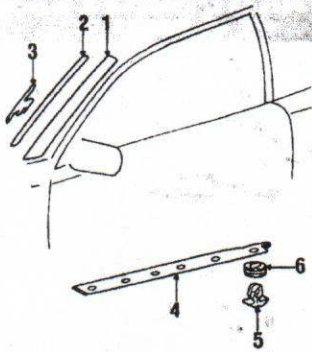


1998-01 M/BENZ CLK CLASS

CLK320, CLK430, CLK55

ERI 5769



5769355

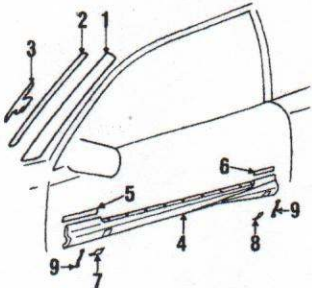
PILLARS, ROCKER & FLOOR COUPE (CONT)

EXTERIOR TRIM

3.2 LITER, 1998-99

1	Pillar molding (p1.0)	98-99R	62.00†	0.5	208 690 04 87
		(p1.0) 98-99L	62.00†	0.5	208 690 03 87
2	seal	98-99R	28.50#		208 698 02 98
		98-99L	28.50#		208 698 01 98
3	bracket	98-99R	4.00#		208 698 04 14
		98-99L	4.00#		208 698 03 14
4	Cover				
	lower rocker	98-99R	28.50†	0.3	208 698 22 30
		98-99L	28.50†	0.3	208 698 21 30
5	clip				
	type 1	98-99B	.70		009 988 42 78
6	type 2	98-99B	.70		009 988 43 78

LABOR: Included with pillar molding R&I R&R.
 † LABOR: Included with rocker molding R&I R&R.
 ‡ LABOR: After drip rail molding is removed.



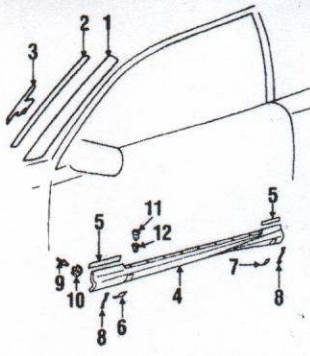
5769357

EXTERIOR TRIM

3.2 LITER, 2000-01

1	Pillar molding (p1.0)	00-01R	62.00†	0.5	208 690 04 87
		(p1.0) 00-01L	62.00†	0.5	208 690 03 87
2	seal	00-01R	28.50#		208 698 02 98
		00-01L	28.50#		208 698 01 98
3	bracket	00-01R	4.00#		208 698 04 14
		00-01L	4.00#		208 698 03 14
4	Ground effects	00-01R	324.00	1.6	208 690 46 25
		00-01L	324.00	1.6	208 690 45 25
5	adhesive kit				
	front	00-01R	27.00†		208 698 44 30
		00-01L	27.00†		208 698 43 30
6	rear	00-01R	27.00†		208 698 46 30
		00-01L	27.00†		208 698 45 30
7	Jack cover				
	front	00-01R	†	0.1	208 698 38 30
		00-01L	†	0.1	208 698 37 30
8	rear	00-01R	†	0.1	208 698 40 30
		00-01L	†	0.1	208 698 39 30
9	brace	00-01	.70		201 698 02 14

LABOR: Included with pillar molding R&I R&R.
 † LABOR: Included with rocker molding R&I R&R.
 ‡ LABOR: After drip rail molding is removed.



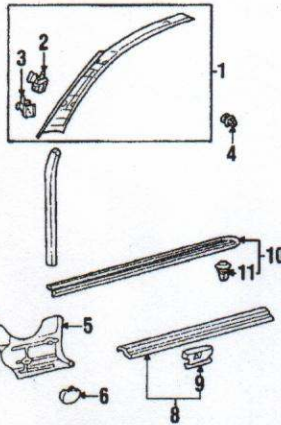
5769710

EXTERIOR TRIM

4.3 & 5.5 LITER

1	Pillar molding (p1.0)	99-01R	62.00†	0.5	208 690 04 87
		(p1.0) 99-01L	62.00†	0.5	208 690 03 87
2	seal	99-01R	28.50#		208 698 02 98
		99-01L	28.50#		208 698 01 98
3	bracket	99-01R	4.00#		208 698 04 14
		99-01L	4.00#		208 698 03 14
4	Ground effects	99 R	690.00	1.6	208 698 01 54
		99 L	690.00	1.6	208 698 00 54
		00-01R		1.6	208 690 12 40
		00-01L		1.6	208 690 11 40
5	adhesive kit	99	4.20†		208 584 00 55
		00-01	10.50†		000 997 90 49
6	Jack cover				
	front	99 R	33.50†	0.1	208 698 28 30
		99 L	33.50†	0.1	208 698 24 30
		00-01R	33.50†	0.1	208 698 49 30
		00-01L	33.50†	0.1	208 698 48 30
7	rear	99 R	33.50†	0.1	208 698 29 30
		99 L	33.50†	0.1	208 698 27 30
		00-01R	33.50†	0.1	208 698 51 30
		00-01L	33.50†	0.1	208 698 50 30
8	brace	00-01	.70		201 698 02 14
9	rivet	99-01	.70		000 990 46 92
10	washer	99-01	1.20		WA2 029 88 0181
11	fastener				
	upper	99-01			001 988 78 81
	lower	99-01	.40		001 988 20 81

LABOR: Included with pillar molding R&I R&R.
 † LABOR: Included with rocker molding R&I R&R.
 ‡ LABOR: After drip rail molding is removed.



5769360

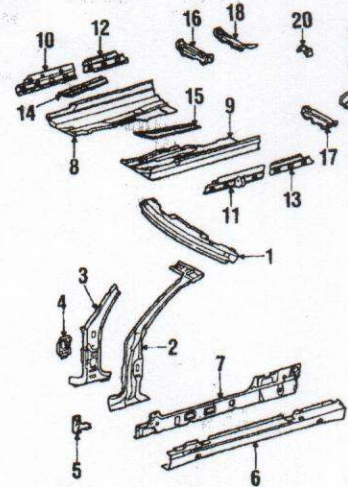
INTERIOR TRIM

1	Windshield pillar trim				
	anthracite	98-01R	40.00	0.5	208 690 06 258870
		98-01L	40.00	0.5	208 690 05 258870
	quartz	98-01R	40.00	0.5	208 690 06 258873
		98-01L	40.00	0.5	208 690 05 258873
	gray	98-01R	40.00	0.5	208 690 06 257048
		98-01L	40.00	0.5	208 690 05 257048
2	clip				
	type 1	98-01B	1.40#		008 988 85 78
	type 2	98-01B	1.40#		008 988 86 78
3	rivet	98-01B	.50		000 990 85 92
5	Cowl trim				
	anthracite	98-01R	10.50	0.3	202 680 02 839851
		98-01L	8.25	0.3	202 680 01 839851
	quartz	98-01R	10.50	0.3	202 680 02 839859
		98-01L	8.25	0.3	202 680 01 839859
	gray	98-01R	10.50	0.3	202 680 02 837043

6	cap	98-01L	8.25	0.3	202 680 01 837043
	anthracite	98-01B	.70		202 688 00 338951
	quartz	98-01B	.70		202 688 00 338959
	gray	98-01B	.70		202 688 00 337043
7	Foot rest	98-01	4.70		202 976 02 60
8	Scuff plate				
	3.2 liter				
	anthracite	98-01B	62.00	0.3	208 680 02 358951
	quartz	98-01B	62.00	0.3	208 680 02 358959
	gray	98-01B	62.00	0.3	208 680 02 357043
	4.3 & 5.5 liter				
	anthracite	99-01B	169.00	0.3	208 680 05 358951
	quartz	99-01B	169.00	0.3	208 680 05 358959
	gray	99-01B	169.00	0.3	208 680 05 357043
9	clip	98-01B	0.50†		202 988 11 78
10	Protect strip	98-99R	23.50	0.2	208 680 02 74
		98-99L	23.50	0.2	208 680 01 74
11	fastener	98-99B	.50†		001 988 76 81

PARTS: Part is included with windshield pillar trim.
 † PARTS: Part is included with scuff plate.
 ‡ PARTS: Part is included with protect strip.

PILLARS, ROCKER & FLOOR CONVERTIBLE



5769353

OVERLAP OPERATIONS

R&R rocker panel w/quarter panel off		
deduct	99-01	2.0

PARTS AND R&R OPERATIONS

HINGE PILLAR					
1	Header panel	99-01	†	2.0	SEE FOOTNOTE
2	Outer pillar (p2.0)	99-01R	550.00†	16.0	208 630 14 10
		99-01L	550.00†	16.0	208 630 13 10
3	Inner pillar (p2.0)	99-01R	57.00†	3.5	208 630 02 10
		99-01L	57.00†	3.5	208 630 01 10
4	Pillar reinf	98-01R	8.00#	1.0	202 630 10 31
		99-01L	8.00#	1.0	202 630 09 31
5	Side bracket	99-01R	17.00#	1.0	208 637 04 40
		99-01L	18.50#	1.0	208 637 03 40
ROCKER PANEL					
6	Outer rocker panel	(p1.5) 99-01R	294.00 s	8.5	208 637 06 35
		(p1.5) 99-01L	294.00 s	8.5	208 637 05 35
7	Inner panel	99-01R	246.00†	4.0	208 611 02 39
		99-01L	234.00†	4.0	208 611 01 39
FLOOR & RAILS					
8	Front floor pan	(p2.0) 99-01R	230.00†	14.0	208 610 02 60
		(p2.0) 99-01L	230.00†	14.0	208 610 01 60
9	Side reinf				
	front	(p.8) 99-01R	15.00†	2.0	202 610 10 25
		(p.8) 99-01L	15.00†	2.0	202 610 09 25
	rear	(p.7) 99-01R	15.00†	2.0	208 616 02 16
		(p.7) 99-01L	15.00†	2.0	208 616 01 16
14	Floor side rail	99-01R	20.00 s	3.0	202 611 02 22
		99-01L	20.00 s	3.0	202 611 01 22
Seat c'member					
16	front	99-01R	274.00	3.0	202 610 08 20
		99-01L	274.00	3.0	202 610 07 20
17	rear	99-01R	274.00	2.5	202 610 10 20
		99-01L	274.00	2.5	202 610 09 20
19	stiffener	99-01	4.20		202 619 00 25
20	Support				
	prop shaft bearing	99-01	35.00		202 610 03 52

PARTS: Part is included with outer pillar.