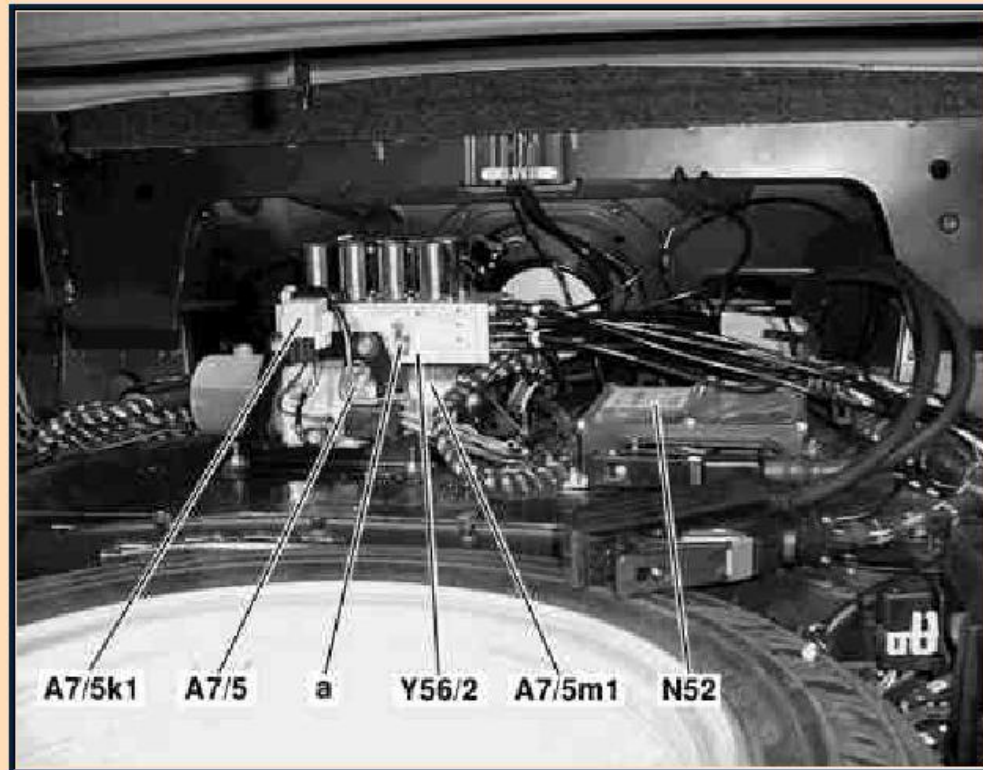


Electrical Test Program - Component Locations



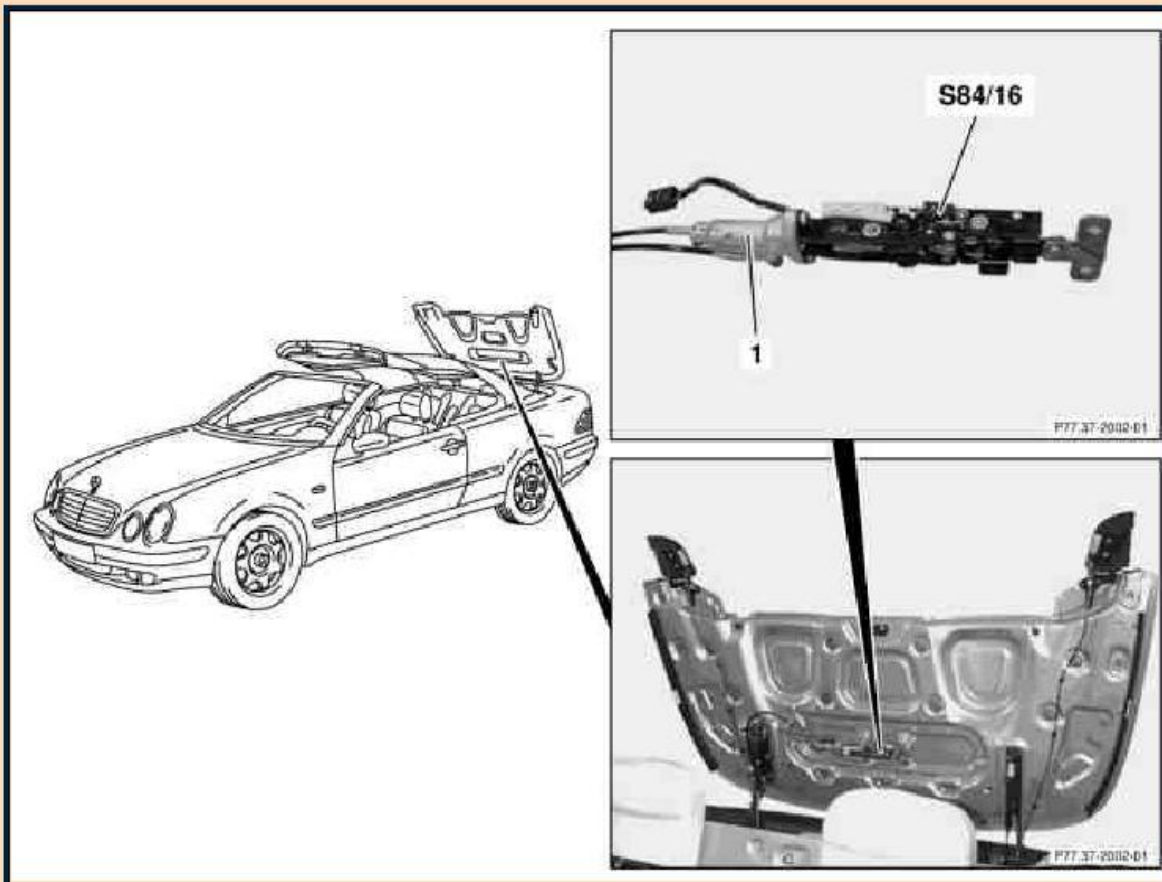
- A7/5 Rollbar hydraulic unit (power soft top)
- A7/5k1 Hydraulic unit relay
- A7/5m1 Motor
- N52 Power soft top control module
- Y56/2 Soft top control valve block (7 connections)
- a Manually switchable check valve for emergency operation of soft top

P77.37-2007-11



wis

Electrical Test Program - Component Locations



- 1 Soft top bow hydraulic cylinder (locking/unlocking)
- S84/16 Soft top bow locked limit switch

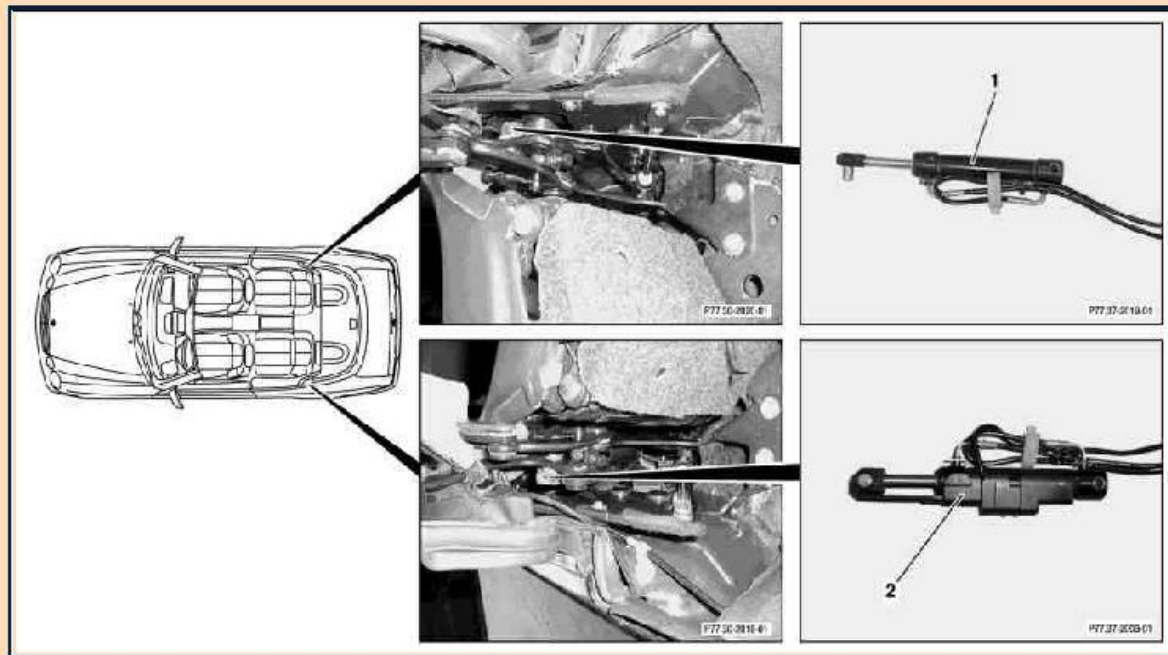
D77 37-2018-06



Roof not ...

P77.37-2018-06

Electrical Test Program - Component Locations



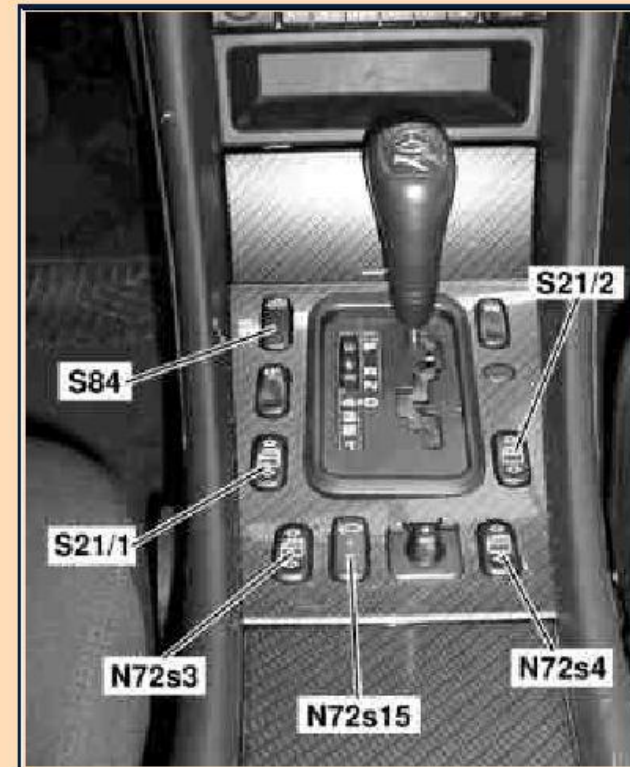
- 1 Right soft top bow hydraulic cylinder (raising/lowering)
- 2 Left soft top bow hydraulic cylinder (setting up/lowering)

P77.37-2020-09

Electrical Test Program - Component Locations

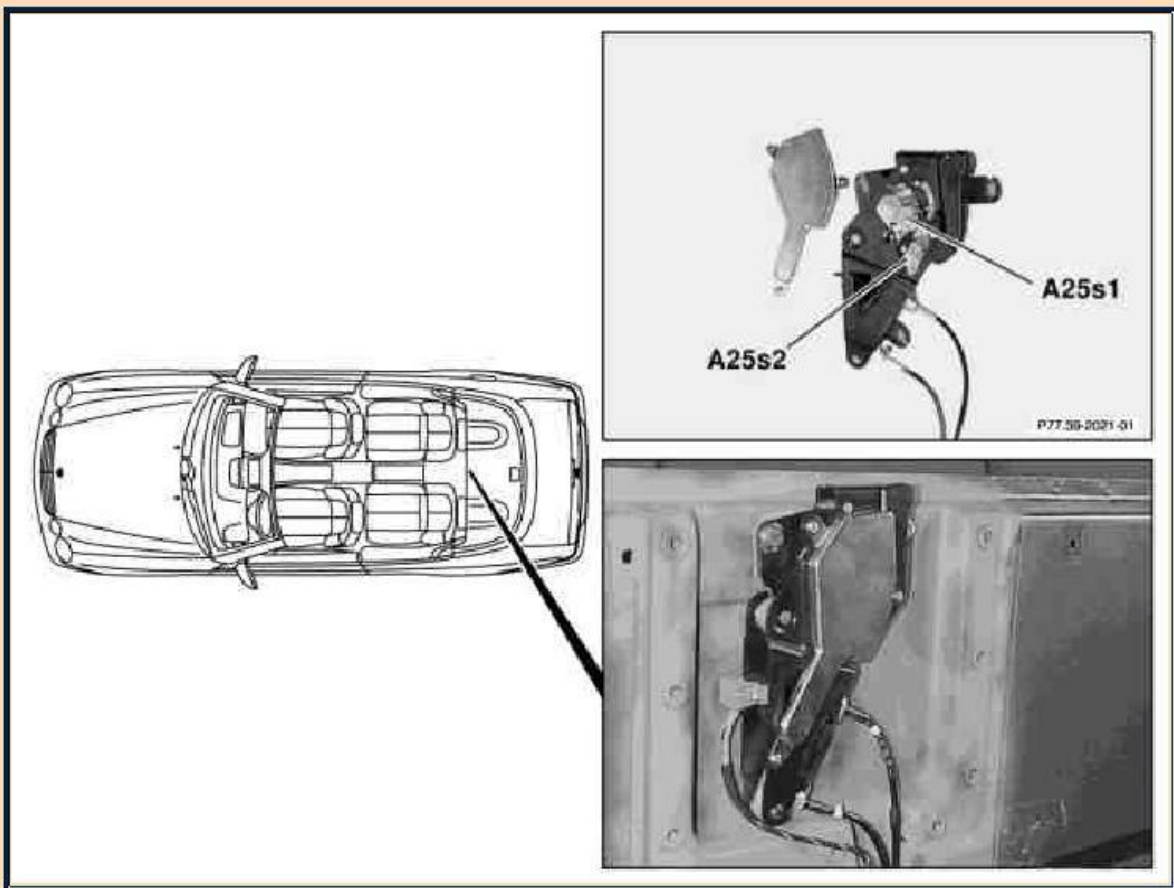
Electrical Test Program - Component Locations

- N72s3 Left rear power window switch
- N72s4 Right rear power window switch
- N72s15 Remote trunk release (RTR) switch
- S21/1 Left front power window switch (front center console)
- S21/2 Right front power window switch (front center console)
- S84 Power soft top switch



P68.20-2006-02

Electrical Test Program - Component Locations



A25s1 Cover "closed" switch
A25s2 Cover "locked" switch

P77.39-2022-06



wis

DH11.05-A-0002-1UX

11.5 - Cabriolet Soft Top (CS1), Roll Bar (RB) (Manual Operation)

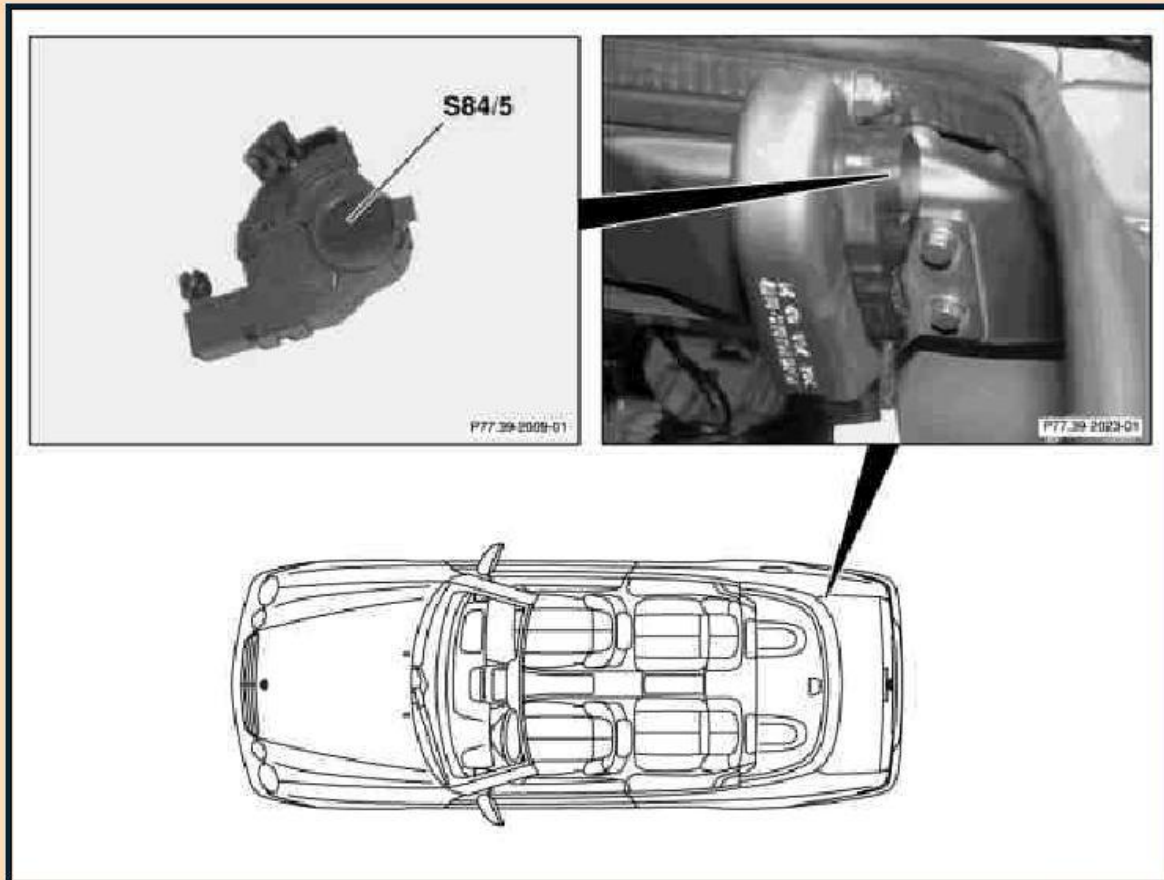
Normal view

validity OFF

Page:

7 / 12

Electrical Test Program - Component Locations



S84/5 Soft compartment cover open switch

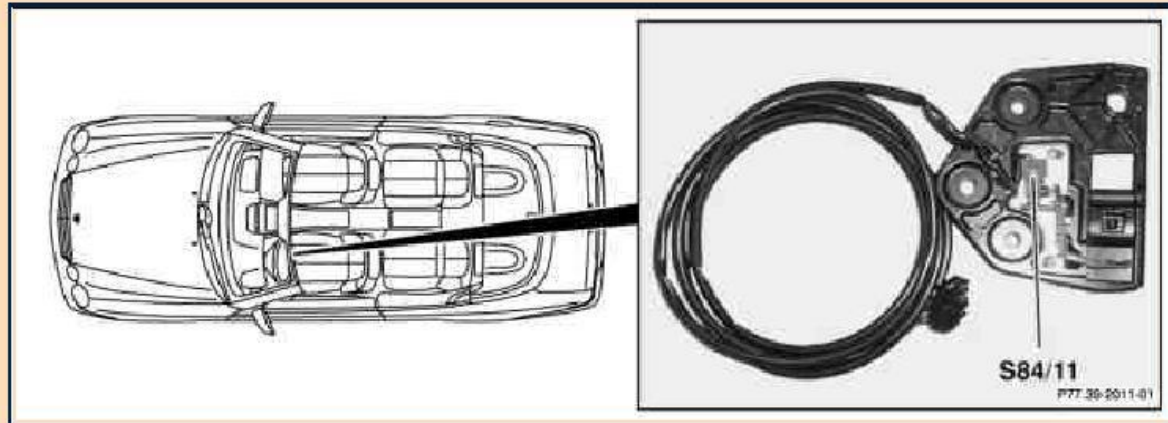
P77 39-2010-06



Roof not ...

System tray area containing icons for network, volume, and other background processes, followed by the time display '20:37'.

Electrical Test Program - Component Locations



S84/11 Soft top "locked" (left) limit switch

P77.39-2012-04

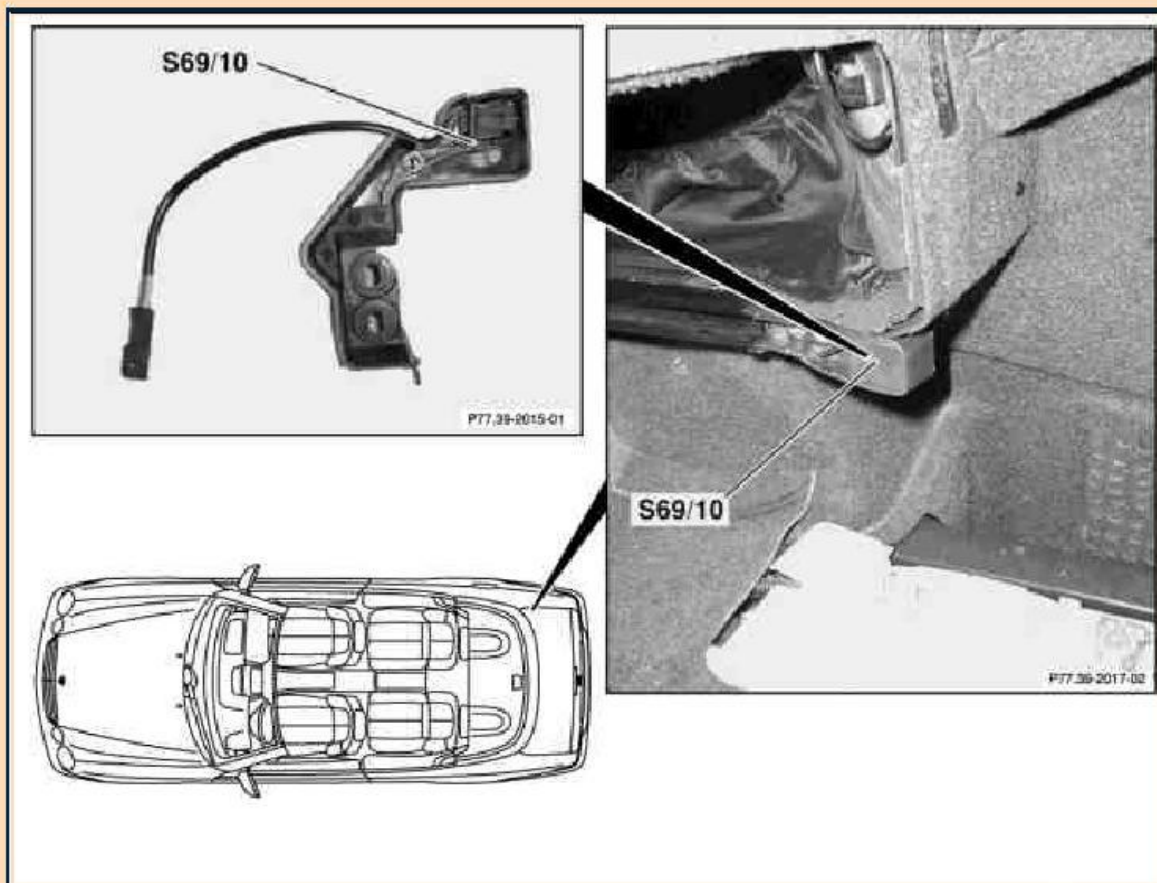
Electrical Test Program - Component Locations





wis

Electrical Test Program - Component Locations

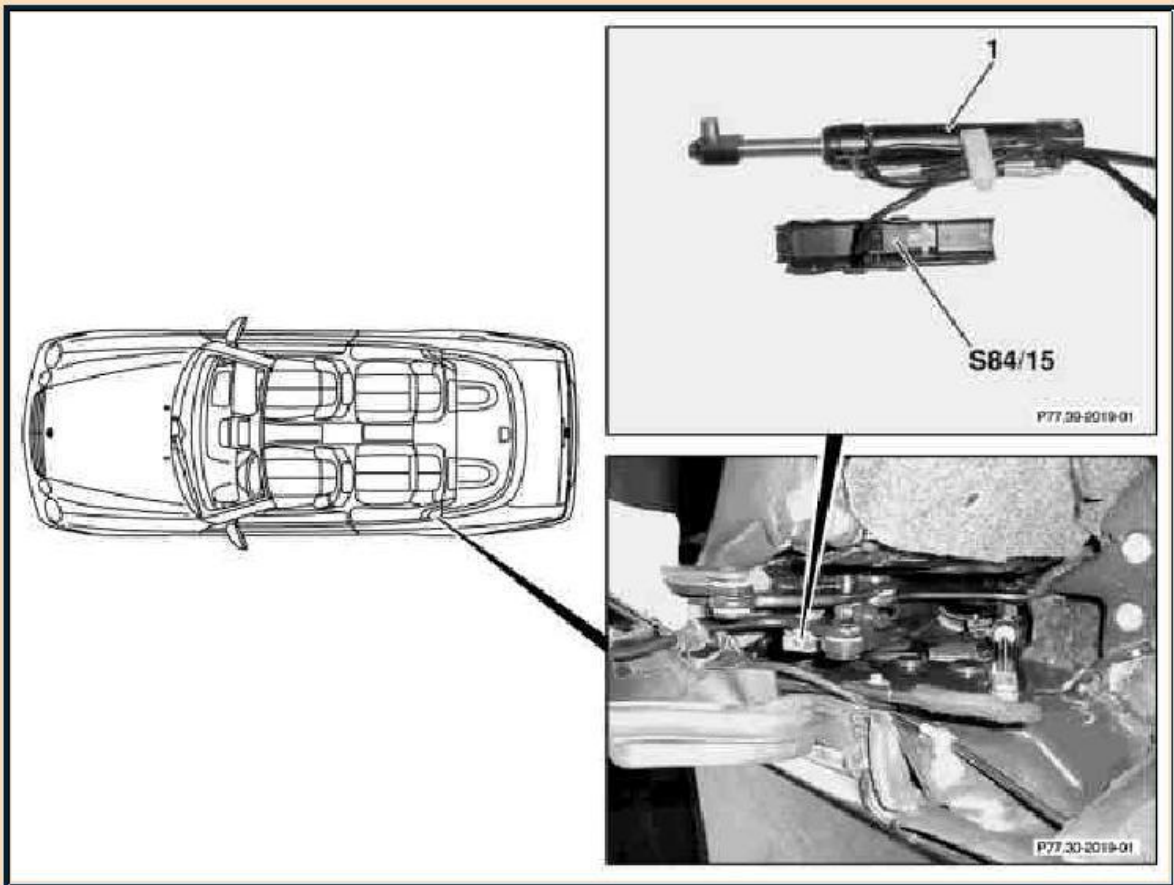


S69/10 Retractable luggage cover engaged limit switch



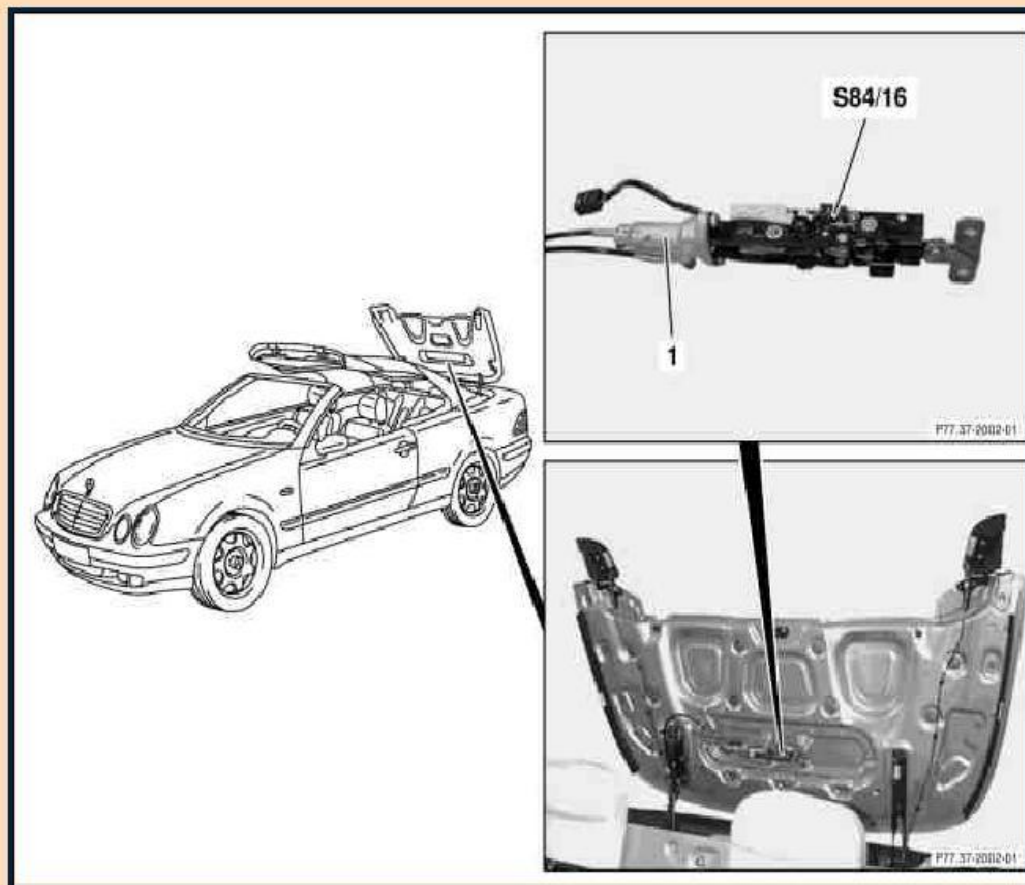
Roof not ...

Electrical Test Program - Component Locations



S84/15 Soft top fabric bow up/down limit switch

P77.39-2020-06



S84/16 Soft top fabric bow "locked" limit switch
1 Soft top bow hydraulic cylinder (locking/unlocking)

P77.37-2018-06