

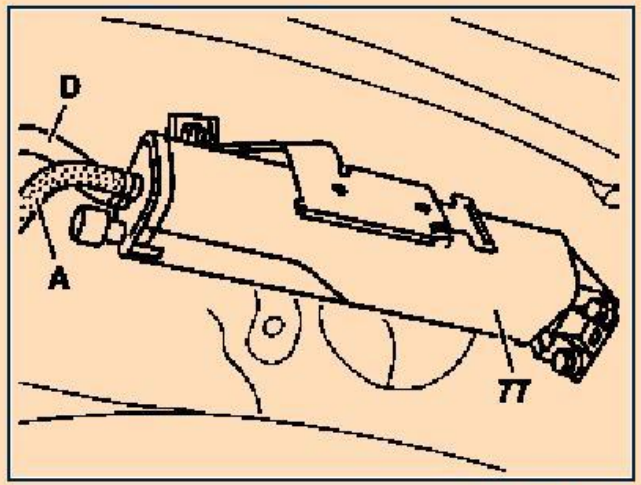
Werkstattinformationssystem Display Document

Sales designation: CLK 430	Vehicle ident. number: WDB208370*	Engine number: 113.943	Automatic transmission: 722623	Gr.:	Entrv. Mod.Y.:	Op. no.:
GF47.30-P-3102-01K	Activated charcoal canister position			Full-size view	validity OFF	Page: 2 / 3

GF47.30-P-3102-01K	Activated charcoal canister position	Model 208	GF
--------------------	--------------------------------------	-----------	----

In rear right wheelhousing.

- 77 Activated charcoal canister
- A Activated charcoal canister-purge control valve line
- D Vent valve-activated charcoal canister line



P47.30-2040-01

Model 208.4

Add. Functions	Document Functions	What is new?	Document: 1 / 1	Level: 3	Menu	Help	Previous Screen
----------------	--------------------	--------------	-----------------	----------	------	------	-----------------

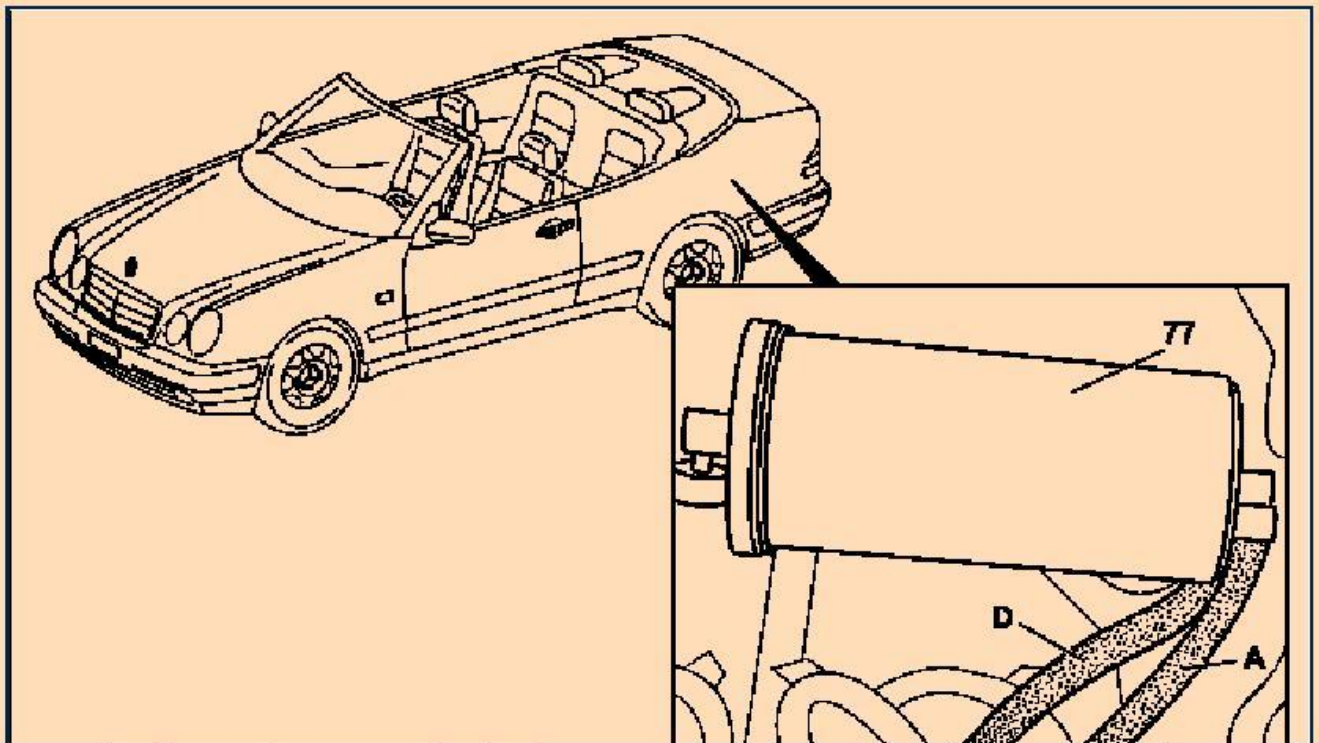
Werkstattinformationssystem Display Document

Sales designation: CLK 430	Vehicle ident. number: WDB208370*	Engine number: 113.943	Automatic transmission: 722623	Gr.:	Entrv. Mod.Y.:	Op. no.:
GF47.30-P-3102-01K	Activated charcoal canister position			Full-size view	Validity OFF	Page: 3 / 3

P47.30-2040-01

Model 208.4

- 77 Activated charcoal canister
- A Activated charcoal canister-purge control valve line
- D Vent valve-activated charcoal canister line



Add. Functions	Document Functions	What is new?	Document: 1 / 1	Level: 3	Menu	Help	Previous Screen
----------------	--------------------	--------------	-----------------	----------	------	------	-----------------