

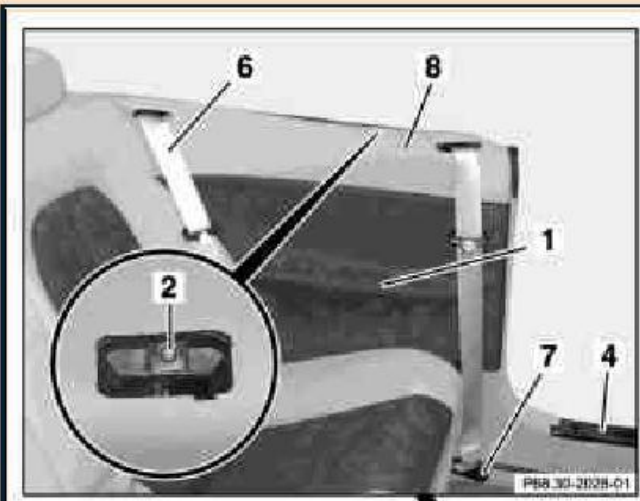
### Werkstattinformationssystem Display Document

Sales designation:	Vehicle ident. number:	Engine number:	Automatic transmission:	Gr.:	Entrv. Mod.Y.:	Op. no.:
CLK 430 Cabriolet	WDB208470*	113.943	722623	77.30		
AR68.30-P-4780KA	Removing and installing side paneling in rear			Full-size view	validity OFF	Page: 2 / 5

AR68.30-P-4780KA	Removing and installing side paneling in rear	7.10.97
------------------	---	---------

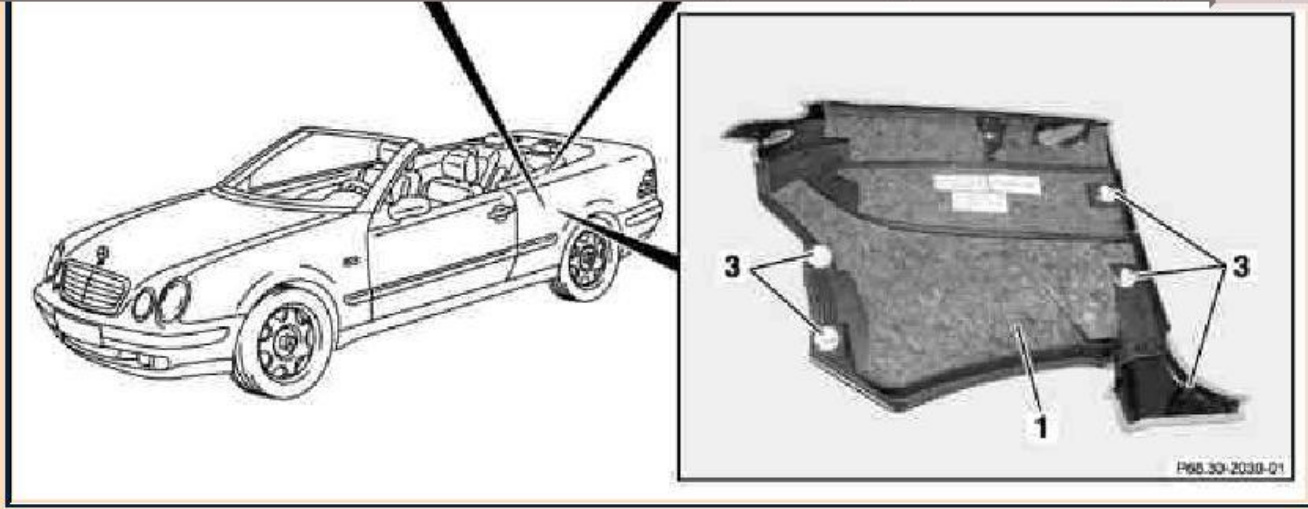
MODEL 208.435 /444 /445 /447 /448 /465 /470

- 1 Paneling
- 2 Screw
- 3 Clips
- 4 Door sill molding
- 5 Collarnut
- 6 Rear seat belt
- 7 Screw
- 8 Cover



## Werkstattinformationssystem Display Document

Sales designation:	Vehicle ident. number:	Engine number:	Automatic transmission:	Gr.:	Entrv. Mod.Y.:	Op. no.:
CLK 430 Cabriolet	WDB208470*	113.943	722623	77.30		
AR68.30-P-4780KA	<b>Removing and installing side paneling in rear</b>			Full-size view	validity OFF	Page: 3 / 5



P68.30-2027-06

	<b>Removing, installing</b>	
1	Open soft top	Lay soft top down in soft top compartment, do not close soft top

Add. Functions	Document Functions	What is new?	Document: 1 / 1	Level: 2	Menu	Help	Previous Screen
----------------	--------------------	--------------	-----------------	----------	------	------	-----------------

## Werkstattinformationssystem Display Document

Sales designation: **CLK 430 Cabriolet**    Vehicle ident. number: **WDB208470\***    Engine number: **113.943**    Automatic transmission: **722623**    Gr.: **77.30**    Entrv.:    Mod.Y.:    Op. no.:

**AR68.30-P-4780KA**    **Removing and installing side paneling in rear**    Full-size view    Validity OFF    Page: **4 / 5**

		Removing, installing	
1	Open soft top	Lay soft top down in soft top compartment, do not close soft top compartment cover	
2	Remove rear seat and rear backrest		<b>AR91.12-P-1700KA</b>
3	Remove door sill molding (4)		
4	Unscrew screws from belt end fitting for rear seat belt (6)	Nm	<u>BA91.40-P-1001-01A</u>
5	Unscrew screw (7) from bottom sliding rail for seat belt	Nm	<u>BA91.40-P-1001-01A</u>
6	Unscrew screw (2)	For this purpose unclip cover (8) from rear paneling	
7	Unscrew collar nut (5)		
8	Unclip paneling (1) in area of B-pillar	Three clips are located in the area of the B-pillar.	
9	Pull paneling (1) out of window shaft seal	<b>Installation:</b> Check mounting clips (3),	

## Werkstattinformationssystem Display Document

Sales designation:	Vehicle ident. number:	Engine number:	Automatic transmission:	Gr.:	Entrv. Mod.Y.:	Op. no.:
CLK 430 Cabriolet	WDB208470*	113.943	722623	77.30		
AR68.30-P-4780KA		Removing and installing side paneling in rear		Full-size view	validity OFF	Page: 5 / 5

		the B-pillar.	
9	Pull paneling (1) out of window shaft seal and from welding bolt in area of rear seat backrest	<b>i</b> Installation: Check mounting clips (3), replace if necessary	
10	Pull belts out of paneling (1)	<b>!*</b> Installation: Ensure that seat belts are installed properly	
11	Install in the reverse order		

**Nm** Seat belts/emergency tensioning retractors

Number	Designation		Model 202, 208.3	Model 208.4
BA91.40-P-1001-01A	Belt end fitting screw	Nm	35	35