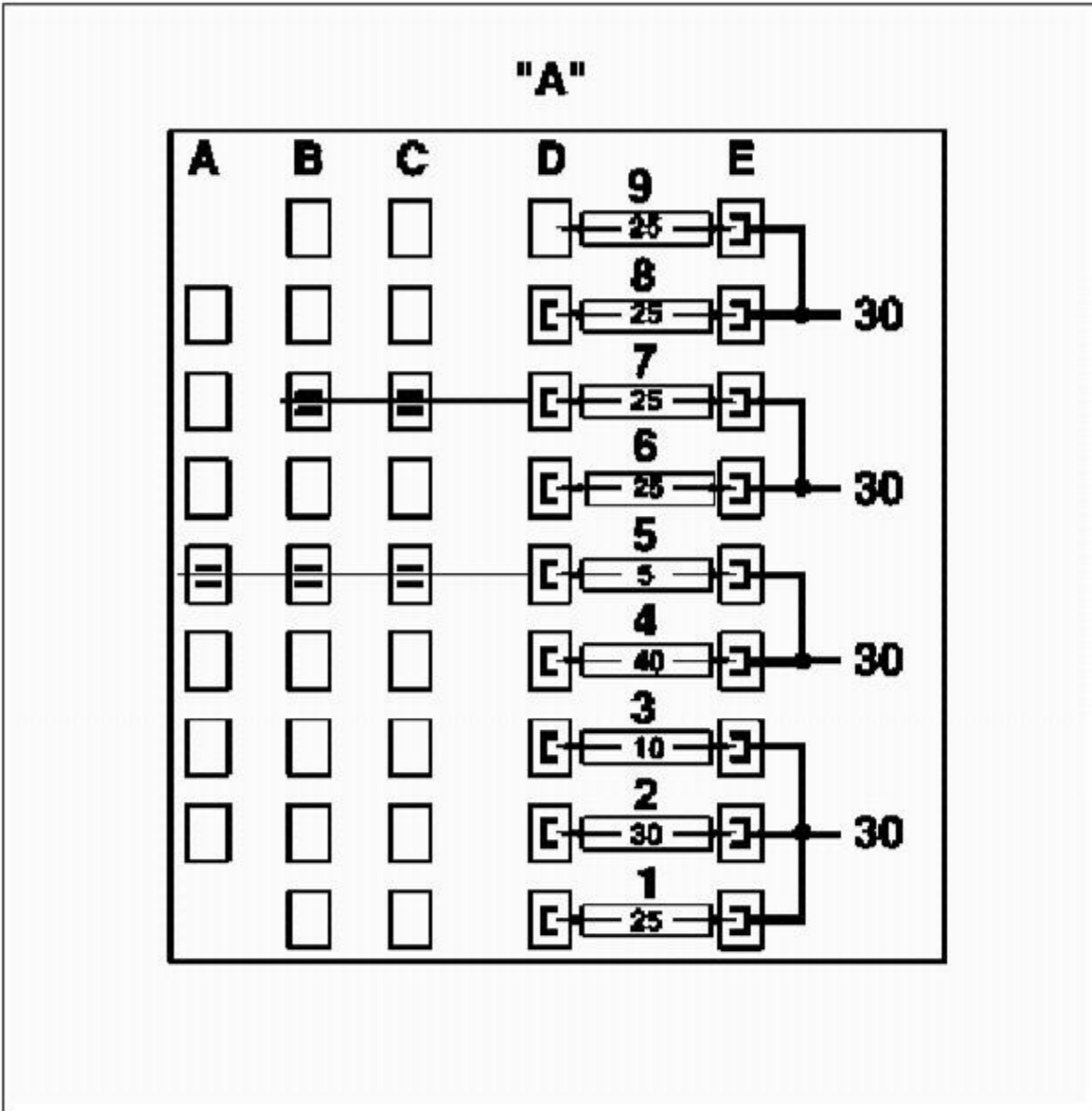


### Fuse box in trunk (F4)



"A" Fuse block "A", fuses 1-9

A-E Plug location



Document

Page width Continuous document Validity off Page 1 of 2

Fuse	Terminal	Color of unfused wire	Color of fused wire	Fused function	Plug location	Rating in amperes (A)
1	30	Bridged with fuse 2	Red/white	Fuel pump	1D	25
2	30	4.0 mm <sup>2</sup> red	Red/blue	Pneumatic system equipment (PSE): <ul style="list-style-type: none"> <li>● Central locking (pump)</li> <li>● Headlamp, terminal 56b for anti-theft alarm (ATA)</li> </ul>	2D	30
3	30	Bridged with fuse 2	Red/grey	Emergency call system or Emergency call system with dynamic navigation or E-call control module,  or E-call telephone, 	3D 3C 3B 3C 3B	10
4	30	2.5 mm <sup>2</sup> red	Red/green	Pneumatic system equipment (PSE): <ul style="list-style-type: none"> <li>● Rear window defroster</li> <li>● Central locking</li> <li>● Alarm horn (H3) for anti-theft alarm (ATA)</li> </ul>	4D	40
5	30	Bridged with fuse 4	Red/yellow	For ATA: <ul style="list-style-type: none"> <li>● ATA inclination sensor (B33)</li> <li>● Left infrared transmitter and receiver (interior protection system) (A26/4)</li> <li>● Right infrared transmitter and receiver (interior protection system) (A26/5)</li> </ul> Alarm signal siren with additional battery	5B 5A 5A 5B	5

Windows taskbar: 14:38 13/10/2013

Document

Page width Continuous document Validity off Page 1 of 2

				<ul style="list-style-type: none"> <li>● Left infrared transmitter and receiver (interior protection system) (A26/4)</li> <li>● Right infrared transmitter and receiver (interior protection system) (A26/5)</li> </ul> Alarm signal siren with additional battery (H3/1) Rear dome lamp Trunk lamp	5A 5A 5B 5C		
6	30	4.0 mm <sup>2</sup> red	White/yellow	Front left seat adjustment: <ul style="list-style-type: none"> <li>● Seat fore/aft</li> <li>● Backrest</li> </ul> or <ul style="list-style-type: none"> <li>● Head restraint, raise/lower</li> <li>● Backrest</li> <li>● Seat height at the back</li> </ul>	6D	25	
7	30	Bridged with fuse 6	White/green	Front left seat adjustment: <ul style="list-style-type: none"> <li>● Seat height at the front</li> <li>● Seat, fore/aft</li> </ul>	7D	25	
8	30	4.0 mm <sup>2</sup> red	White/blue	Front right seat adjustment: <ul style="list-style-type: none"> <li>● Seat height at the front</li> <li>● Seat, fore/aft</li> </ul>	8D	25	
9	30	Bridged with fuse 8	White/black	Front right seat adjustment: <ul style="list-style-type: none"> <li>● Seat, fore/aft</li> <li>● Backrest</li> </ul> or <ul style="list-style-type: none"> <li>● Head restraint, raise/lower</li> <li>● Backrest</li> <li>● Seat height at the rear</li> </ul>	9D	25	

14:40 13/10/2013

GF54.15-P-1324-03B

Fuse box in trunk, fuse blocks B and C

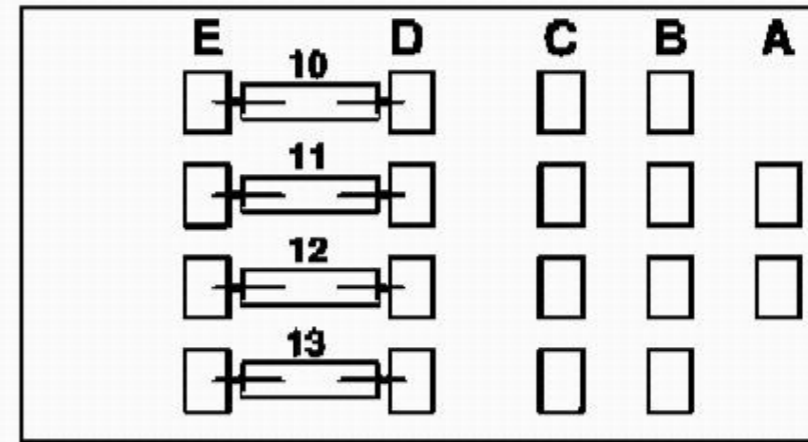


### Fuse box in trunk (F4)

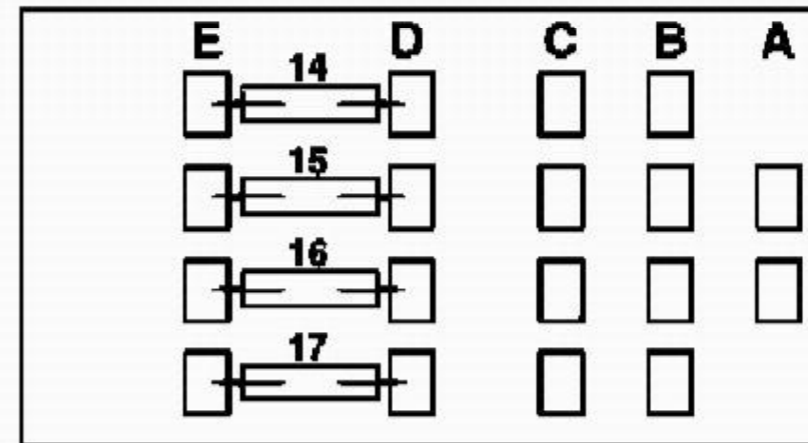
"B" Fuse block B, fuses 10-13

"C" Fuse block C, fuses 14-17

A-E Plug location



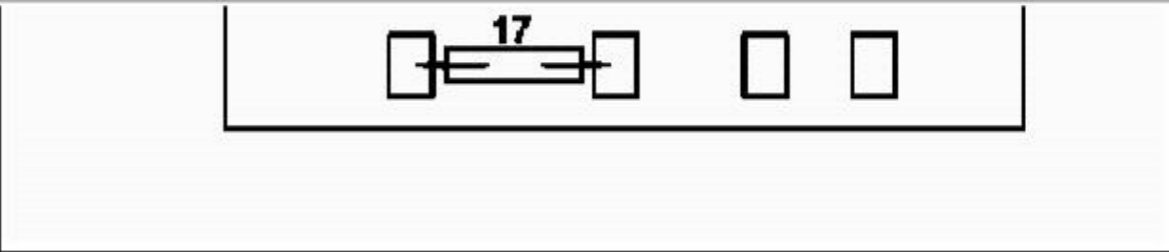
"B"



"C"







P54.15-0407-12

**Fuse block B rear**

Fuse	Terminal	Color of unfused wire	Color of fused wire	Fused function	Plug location	Rating in amperes (A)
10	-	-	-	Not used	-	-
11	-	-	-	Not used	-	-
12	-	-	-	Not used	-	-
13	-	-	-	Not used	-	-

**Fuse block C rear**

Fuse	Terminal	Color of unfused wire	Color of fused wire	Fused function	Plug location	Rating in amperes (A)
14	-	-	-	Not used	-	-
15	-	-	-	Not used	-	-
16	-	-	-	Not used	-	-
17	-	-	-	Not used	-	-