

GF27.10-P-3023NT

Shift lock override, function

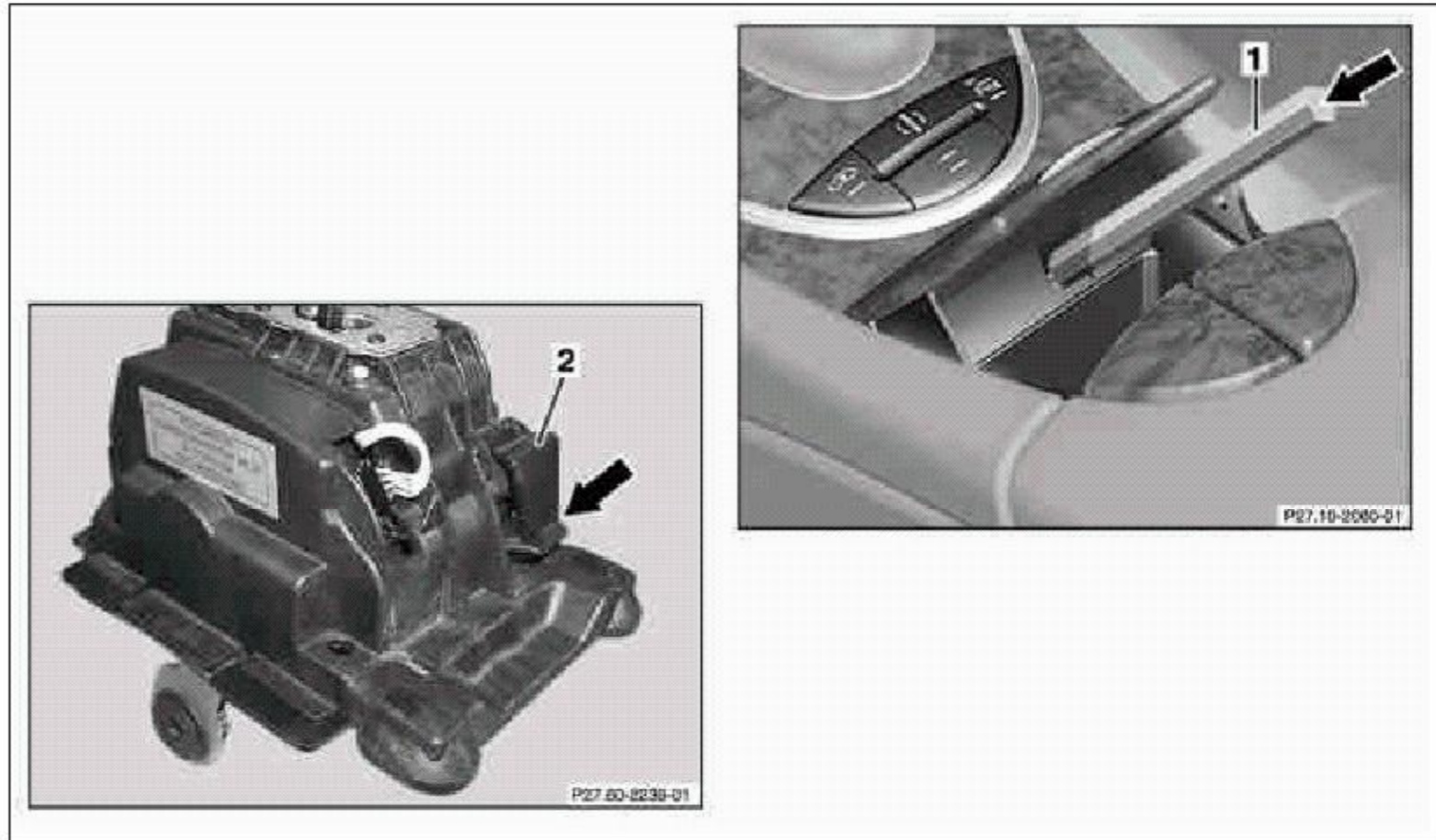
26.8.03

TRANSMISSION 722.9 in MODEL 171.4, 203 up to Model Year 8

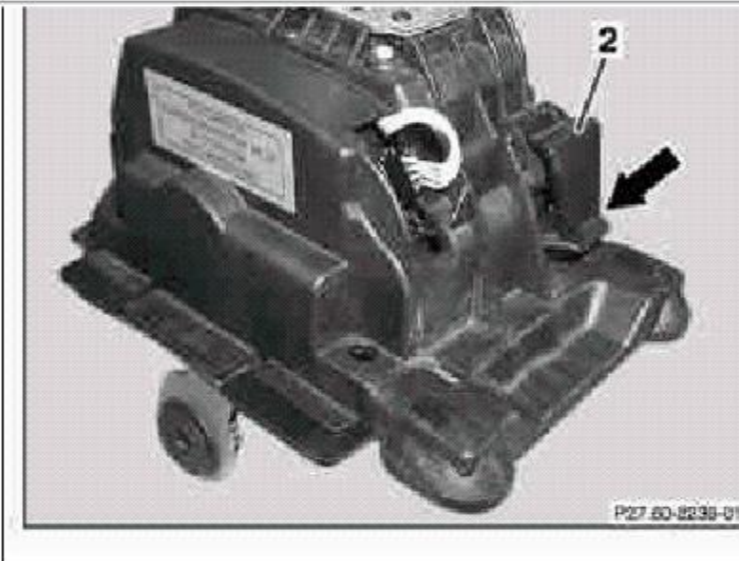
TRANSMISSION 722.9 in MODEL 209, 211, 219

Shows model 211

- 1 Tool
- 2 Lever



P27.10-2061-05



P27.10-2061-05

If it is not possible to engage a drive position from selector lever position "P" due to a mechanical, electrical or electronic fault, the selector lever position "P" lock can be released using the shift lock override function.

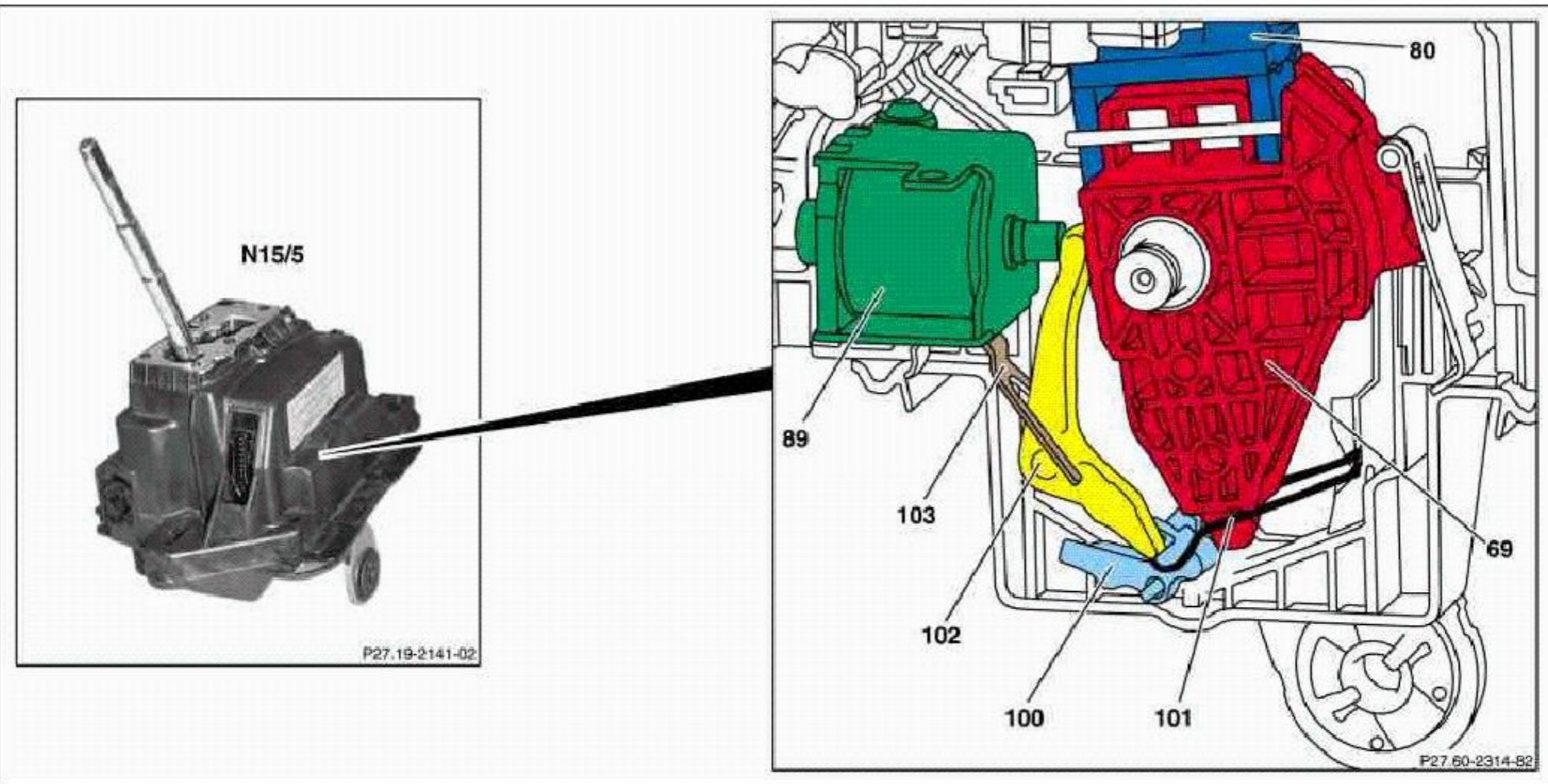
This involves unclipping the stowage compartment in the center console and pressing (arrow) on the lever (2) by inserting a suitable tool (1) through the guide beneath this. The selector lever position "P" lock is released via a bolt in the lock solenoid valve. The selector lever can be shifted through simultaneous actuation of the lever (2) and selector lever from selector lever position "P".

	R/P lock, location/task/design/function		GF27.60-P-5103NT
	Parking lock, location / task / design / function		GF27.10-P-5100N

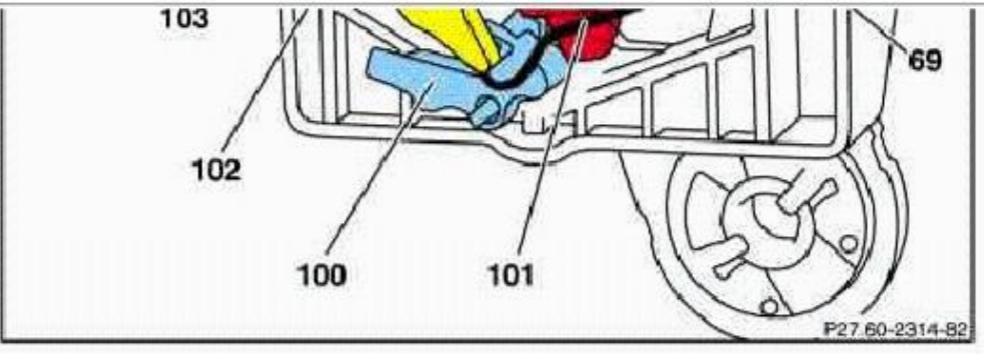
GF27.60-P-5103NT R/P lock, location/task/design/function **27.8.03**

TRANSMISSION 722.9 in MODEL 171.4, 203 up to Model Year 8

TRANSMISSION 722.9 in MODEL 209, 211, 219



P27.60-2314-82



P27.60-2315-79

- | | | | | | |
|----|----------------------|-----|--------------------|-------|---|
| 69 | Locking lever | 100 | Rocker | 103 | Rocker arm leaf spring |
| 80 | Selector lever | 101 | Rocker leaf spring | N15/5 | Electronic selector lever module control unit |
| 89 | R/P locking solenoid | 102 | Rocker arm | | |

	R/P lock, location	The R/P lock is integrated in the electronic selector lever module control unit (N15/5).	
	R/P lock, task	Depending on the condition the R/P lock prevents shifting out of selector lever position "P" or changing into selector lever position "R" from "N".	
	R/P lock, design	The R/P lock consists of: <ul style="list-style-type: none"> ● Locking lever (69) ● R/P locking solenoid (89) ● Rocker (100) ● Leaf spring of rocker (101) ● Rocker arm (102) ● Leaf spring of rocker arm (103) 	
	R/P lock, function		GF27.60-P-5103-04NT

Document

GF27.60-P-5103-04NT

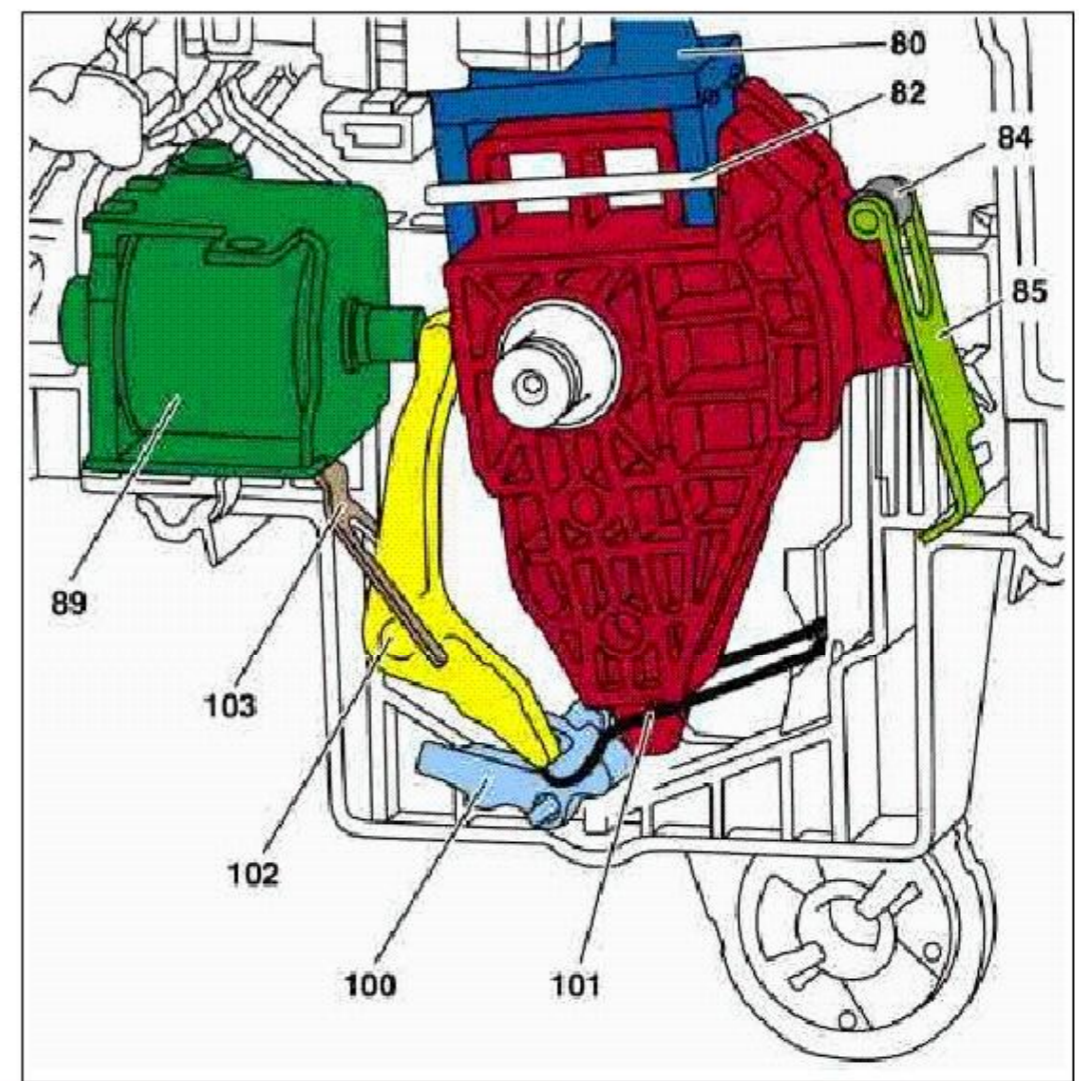
R/P lock, function

Transmission 722.9 in models 171.4, 203, 209, 211, 219

GF

R-lock position shown

- 80 Selector lever
- 82 Retracting spring
- 84 Roller
- 85 Leaf spring
- 89 R/P locking solenoid
- 100 Rocker
- 101 Rocker leaf spring
- 102 Rocker arm
- 103 Rocker arm leaf spring



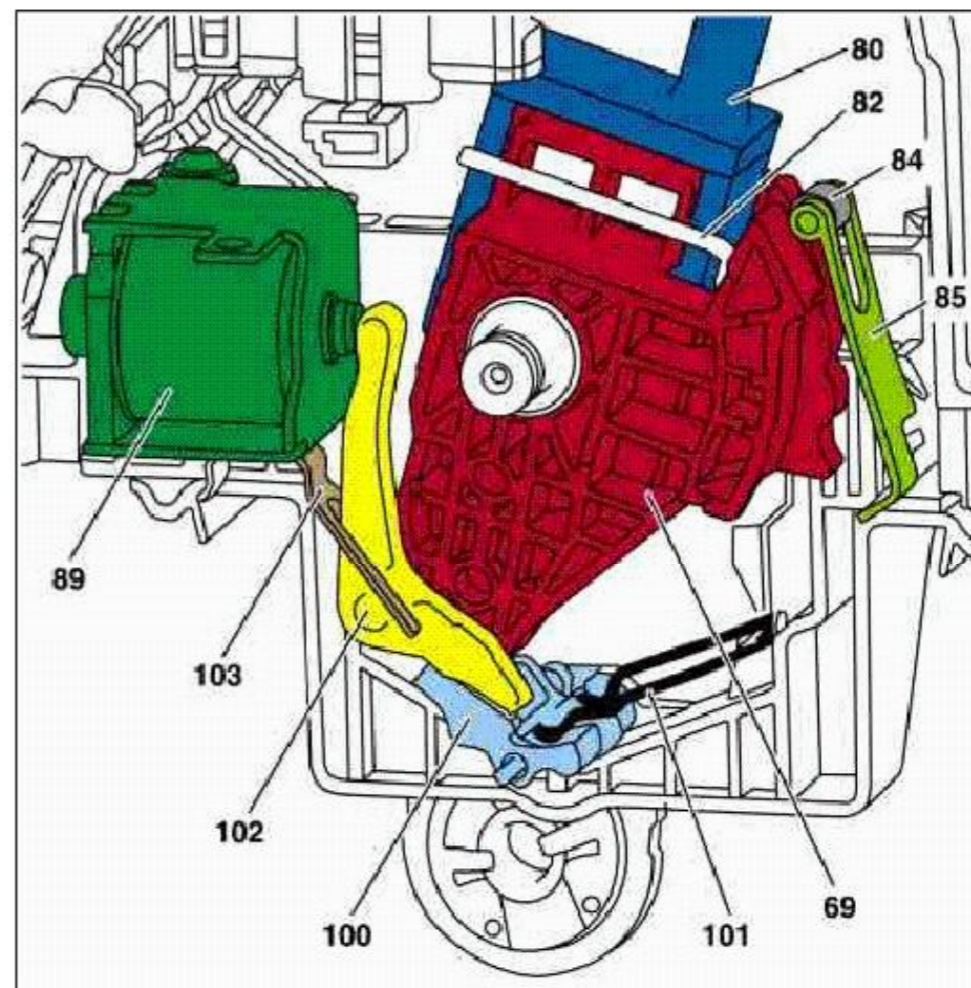
R lock, function

Above a ground speed of approx. 8 km/h the R/P locking solenoid (89) is actuated by the electronic selector lever module control unit (N15/5). The rocker arm (102) presses on the rocker (100), which is turned to the locking position.

Shown: P-locking position

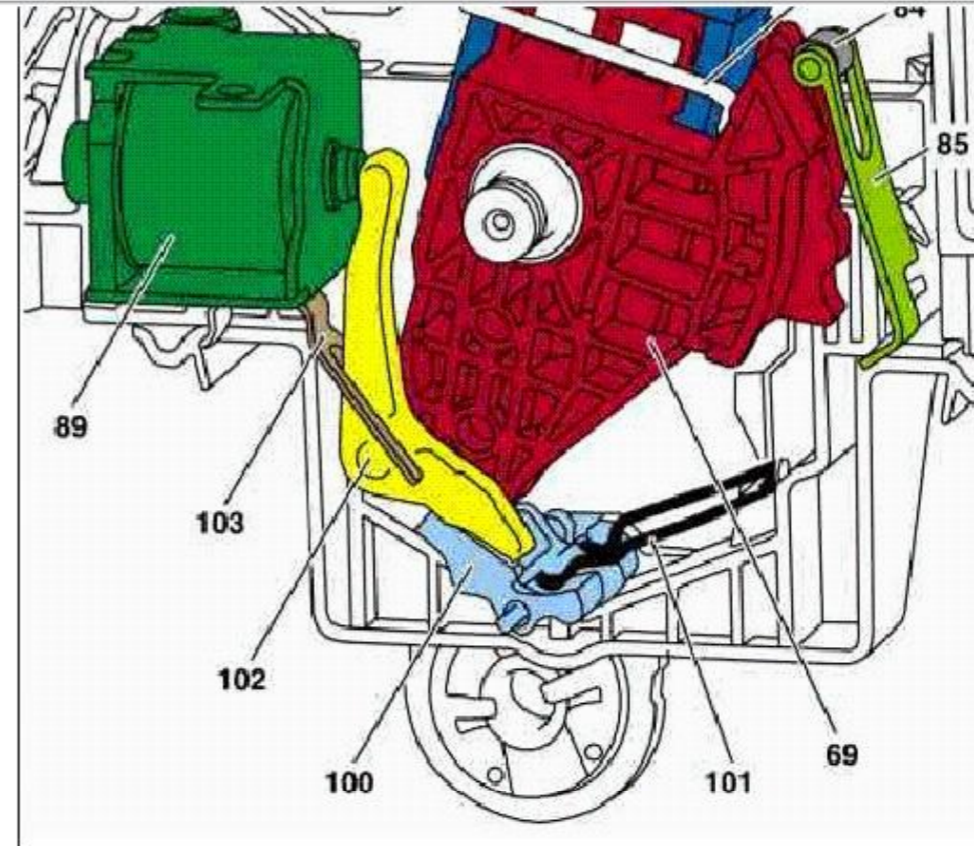
- 69 Locking lever
- 80 Selector lever
- 82 Retracting spring
- 84 Roller
- 85 Leaf spring
- 89 R/P locking solenoid
- 100 Rocker
- 101 Rocker leaf spring
- 102 Rocker arm
- 103 Rocker arm leaf spring

The lock lever (69) rests against the rocker (100) and the selector lever (80) cannot be shifted to position "R".



Document

- 82 Retracting spring
- 84 Roller
- 85 Leaf spring
- 89 R/P locking solenoid
- 100 Rocker
- 101 Rocker leaf spring
- 102 Rocker arm
- 103 Rocker arm leaf spring



P27.60-2128-82

P lock, function

The selector lever position "P" is locked whenever the R/P locking solenoid (89) is not actuated by the electronic selector lever module control unit (N15/5). The prerequisites for this are as follows:

- No voltage supply to the electronic selector lever module control unit (N15/5)
- Brake pedal not pressed

Under these conditions the rocker (100) is held in front of the locking lever (69) by the spring force of the leaf spring of the rocker (101). It is not possible to shift the selector lever (80) out of selector lever position "P". The R/P locking solenoid (89) is actuated with "circuit 15 ON" and when the brake pedal is pressed. The rocker arm (102) presses on the rocker (100); the selector lever (80) can be shifted out of selector lever position "P".

