

Mercedes W208 Parts List

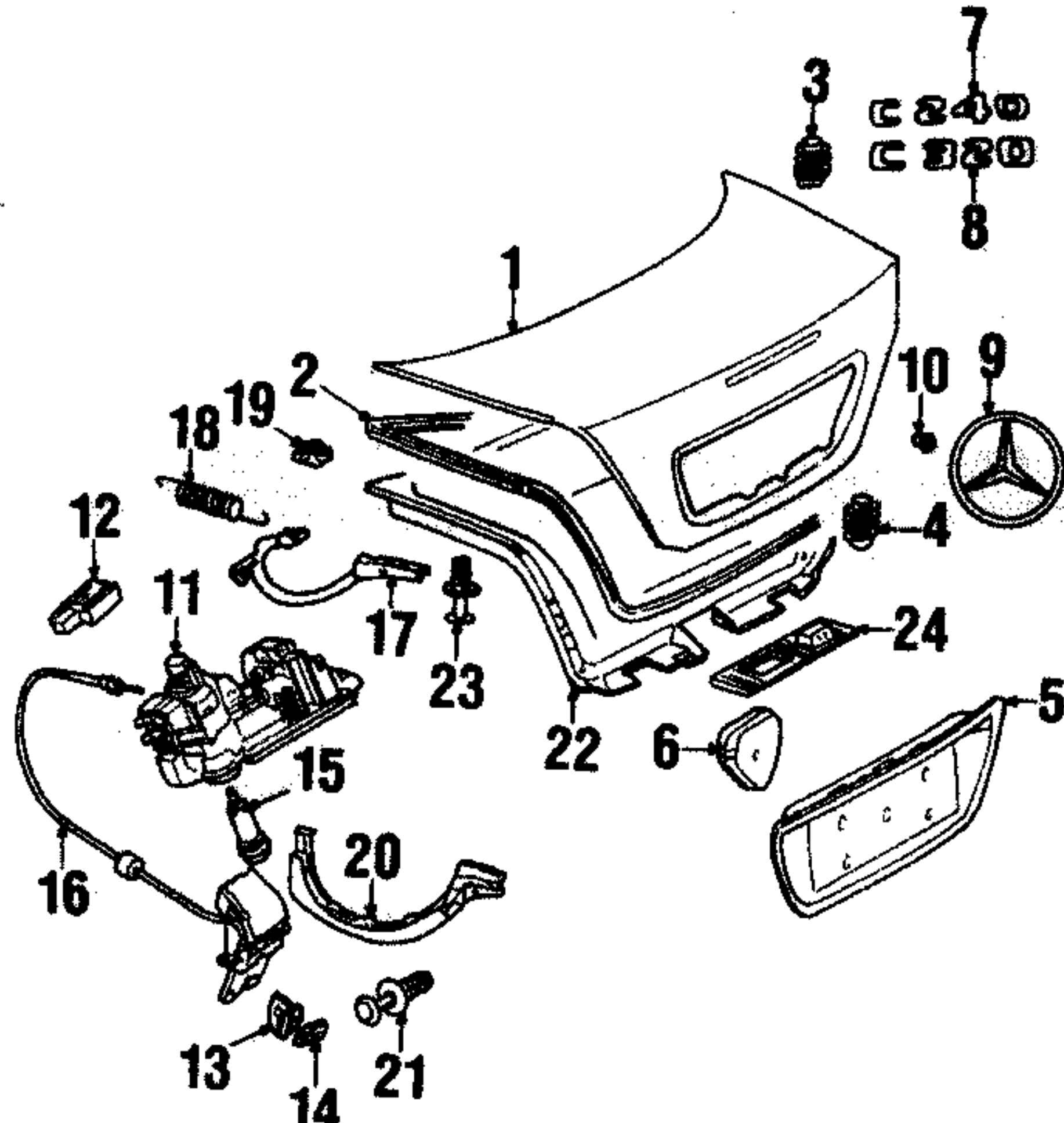
1998-2001



Mercedes-Benz

6 Access cover	01	L	50.00	0.6	203 690 05 419C86
	01	R			203 693 05 42
	01	L			NOT LISTED
7 Upper cover	01	R	8.75		203 693 14 33
	01	L	8.75		203 693 13 33
8 rivet	01	B	.50		000 990 84 92
9 Spare housing	01		17.50		203 898 00 077C45
Floor cover					
10 front	01		25.00		203 693 03 33
11 rivet	01		.70		203 990 00 92
12 Floor mat	01		100.00		203 680 17 429C86
13 Handle	01		7.25		203 680 00 707C45
14 bracket	01		.01		208 684 01 357C45
15 Luggage lamp	01		40.00		220 820 19 01
16 Bulb	01				NOT LISTED

TRUNK LID



5775560

REFINISHING NOTES

- Refn trunk lid underside 01 p1.2
- OVERLAP OPERATIONS**
- R&R both hinges ... 01 # 2.0
- R&I OPERATIONS**
- R&I trunk lid 01 0.8

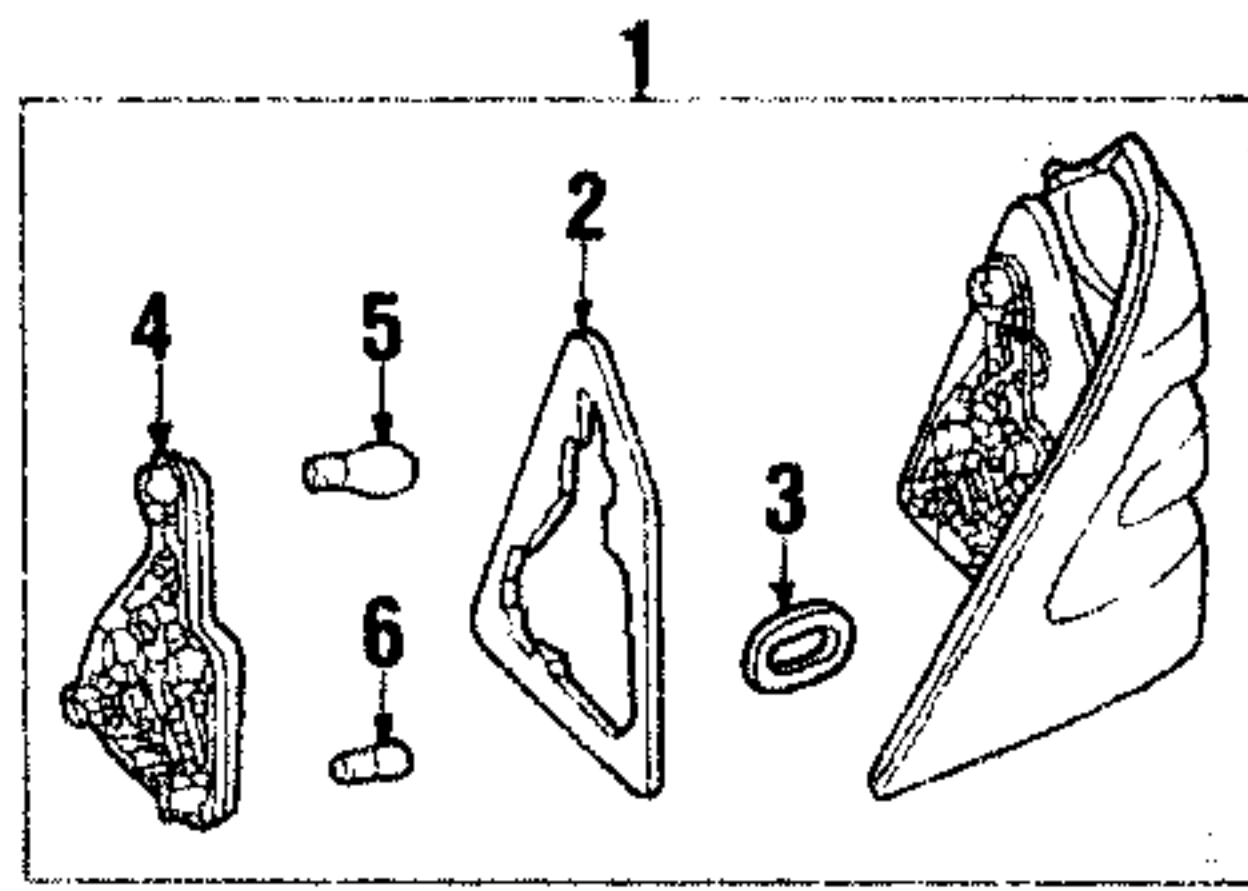
PARTS AND R&R OPERATIONS

LID & COMPONENTS

1 Trunk lid	(p.2.3)	01	380.00	1.7	203 750 01 75
2 Weatherstrip		01		0.4	NOT LISTED
Bumper					
3 side		01	1.00		140 987 00 40
4 lower		01	1.20		201 987 04 40
5 License pocket					
black	(p.5)	01	125.00@	0.4	203 750 01 819040
magma red	(p.5)	01	@	0.4	203 750 01 813586
midnight blue	(p.5)	01	125.00@	0.4	203 750 01 815904
snow white	(p.5)	01	125.00@	0.4	203 750 01 819143
emerald black	(p.5)	01	@	0.4	203 750 01 819189
jasper blue	(p.5)	01	@	0.4	203 750 01 815345
titanite red	(p.5)	01	125.00@	0.4	203 750 01 813567
brillan silver	(p.5)	01	125.00@	0.4	203 750 01 819744
alexand green	(p.5)	01	125.00@	0.4	203 750 01 816891
obsidian black	(p.5)	01	125.00@	0.4	203 750 01 819197
tansanite blue	(p.5)	01	125.00@	0.4	203 750 01 815359
travert beige	(p.5)	01	125.00@	0.4	203 750 01 811693
tektite gray	(p.5)	01	125.00@	0.4	203 750 01 817753
amethyst violet	(p.5)	01	@	0.4	203 750 01 814994
6 Lamp switch		01	14.50		203 821 35 58
Nameplate					
7 C240		01	25.00	0.3	202 817 24 15
8 C320		01		0.3	202 817 16 15
9 Emblem					
Mercedes star	(d.1)	01		0.2	NOT LISTED
10 grommet		01	.40		201 997 22 81
11 Lock					
w/o keyless		01	59.00		203 750 00 93
w/keyless		01			203 750 01 93
12 Switch		01			203 821 77 51
13 Striker		01	7.75	0.2	203 758 00 03
14 plate		01	3.00		203 758 00 11
15 Lock cylinder		01		0.3	NOT LISTED
16 Release handle		01			NOT LISTED
17 Hinge	(p.3)	01	40.00#	1.2	203 750 02 28
	(p.3)	01	40.00#	1.2	203 750 01 28
18 spring		01	8.25		203 757 00 29
19 stop		01	9.25		210 750 02 26
20 Hinge cover		01	4.20	0.1	203 821 10 89
		01	4.20	0.1	203 821 09 89
21 rivet		01			201 990 02 92

- 22 Trunk lid trim 01 0.3 203 694 04 259C86
 - 23 clip 01 201 990 02 92
 - 24 Handle 01 203 758 00 029B51
- # **LABOR:** After lid, inner trim & package tray trim is removed.
- @ **PARTS:** Order by color. **LABOR:** Refinish time is provided for those instances when required color is not available or for some repair situations.

REAR LAMPS



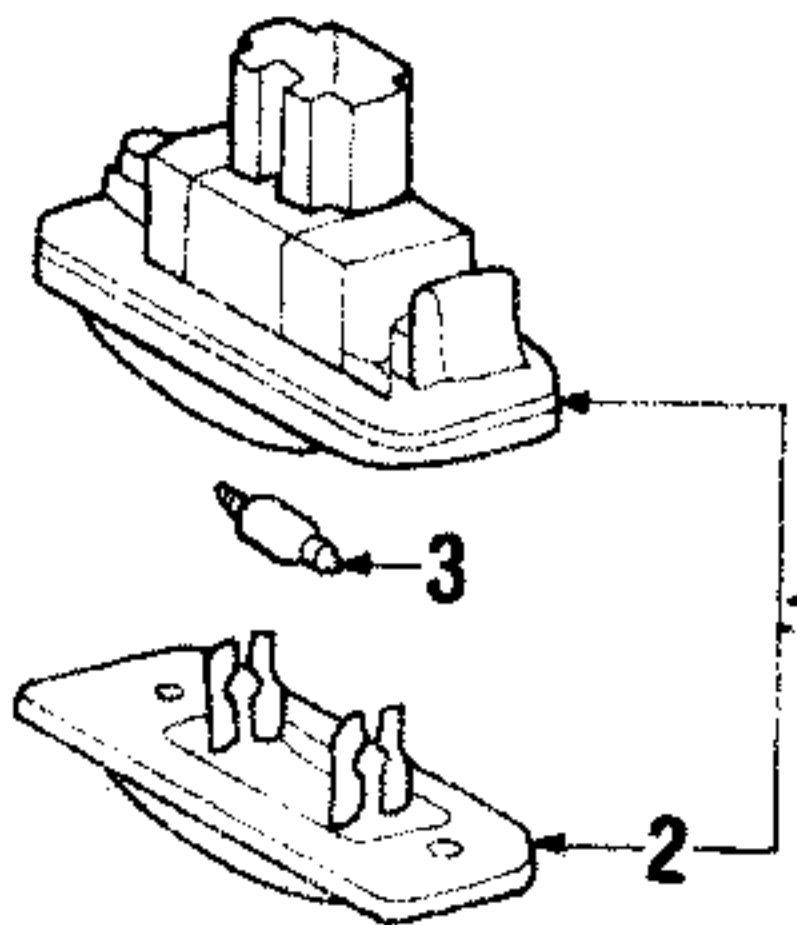
5775570

PARTS AND R&R OPERATIONS

COMBINATION LAMPS

1 Lamp assy	01	R	134.00	0.5	203 820 10 64
	01	L	134.00	0.5	203 820 09 64
2 gasket	01	B	4.70#		203 826 01 80
3 seal	01	B	8.50#		203 826 00 80
4 Support	01	R	14.50#		203 820 02 77
	01	L	14.50#		203 820 01 77
Bulb					
5 stop	01		1.10#		072 601 01 2190
fog lamp	01		1.10#		072 601 01 2190
back up	01		1.10#		072 601 01 2190
tail	01		1.00#		072 601 01 2701

PARTS: Part included in lamp assembly.

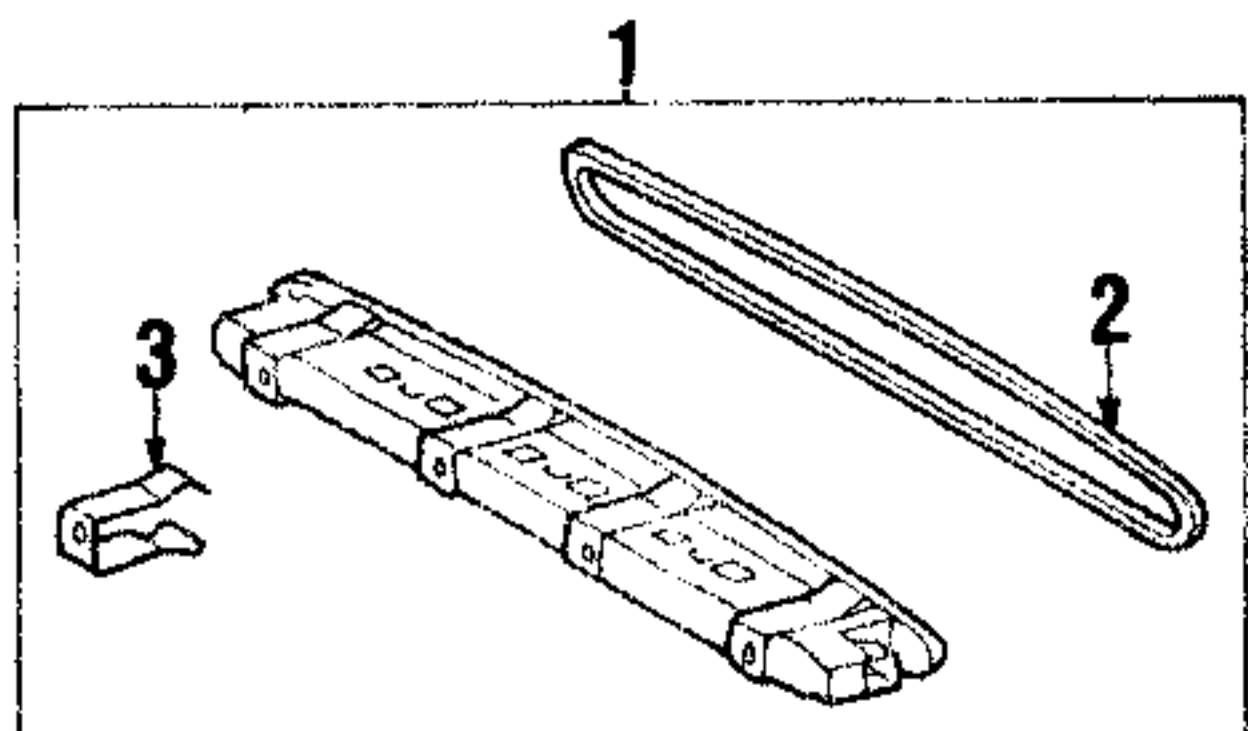


5775575

LICENSE LAMPS

1 License lamp	01	B		0.4	203 820 05 556
2 Lens	01	B	7.75#	0.4	203 820 00 66
3 Bulb	01		1.20		072 601 01 2130

PARTS: Part included in license lamp assembly.



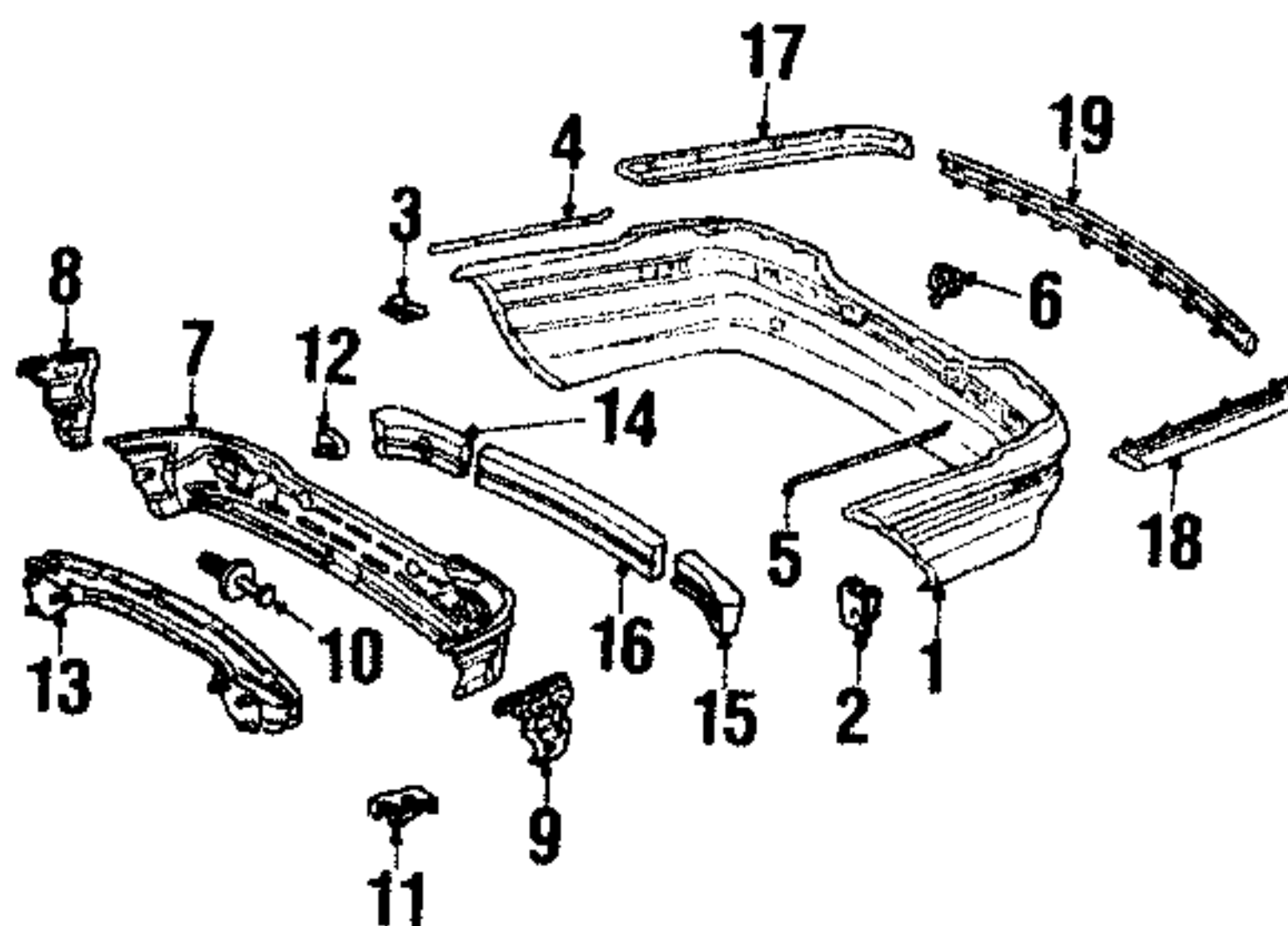
5775580

HIGH MOUNTED STOP LAMP

1 High mount lamp	01		124.00	0.5	203 820 01 56
2 gasket	01		8.00#		203 826 02 80
3 spring	01		3.00#		203 826 00 84

PARTS: Part included in stop lamp assembly.

REAR BUMPER



5775590

ADD IF REQUIRED

- R&R bumper add for distance ctrl 01 0.3

- OVERHAUL OPERATIONS**
- O/H bumper assy ... 01 # 2.5
- R&I OPERATIONS**
- R&I bumper assy ... 01 1.0

PARTS AND R&R OPERATIONS

BUMPER & COMPONENTS

1 Bumper cover					
w/o Sport	(p.2.6)	01	394.00±	2.5	203 885 08 25
w/Sport	(p.2.6)	01	432.00±	2.5	203 885 16 25
2 retainer		01	.85#		140 994 13 45
3 clip		01	.40#		002 994 61 45
4 Guide rail		01	7.25#		203 885 32 21
5		01	7.25#		203 885 31 21
6 Tow brkt cover					
w/o Sport	(p.2)	01	#		203 885 01 26
w/Sport	(p.2)	01	#		203 885 04 26
7 Cover panel bracket		01	69.00#		203 885 02 65
8 w/o Sport		01	20.00#		203 885 02 14
9		01	20.00#		203 885 01 14
w/Sport		01	20.00#		203 885 01 14
		01	20.00#		203 885 11 14
10 rivet		01			000 990 54 92
11 clip		01	.50		002 994 39 45
12 bracket		01	4.50		203 880 06 14
13 Impact bar Absorber		01	109.00#		203 610 01 14
14 outer		01	64.00#		203 885 08 37
15		01	64.00#		203 885 07 37
16 center		01	104.00#		203 885 06 37
Molding					
outer					
17 w/o Sport		01	#	0.3	203 885 26 21
18		01	#	0.3	203 885 25 21
w/Sport		01	#	0.3	203 885 28 21
		01	#	0.3	203 885 27 21
19 center					
w/o Sport		01	#	0.3	203 885 00 21
w/Sport		01	#	0.3	203 885 29 21

- # **LABOR:** Time includes R&I.
- # **LABOR:** Included in overhaul.
- # **LABOR:** Time is for overhaul.

GROUP INDEX

AIR CONDITIONER & HEATER 930
 BACK GLASS
 COUPE 949
 BODY SHELL 939
 CONSOLE 940
 CONVERTIBLE/SOFT TOP 944
 COOLING
 3.2 LITER 928
 4.3 LITER 929
 5.5 LITER 929
 COWL 939
 DOOR 947
 ELECTRICAL 932
 EMISSION SYSTEM 936
 ENGINE
 3.2 LITER 934
 4.3 LITER 934
 5.5 LITER 935

EXHAUST SYSTEM
 3.2 LITER 935
 4.3 LITER 935
 5.5 LITER 936
 FENDER 931
 FRONT BUMPER 926
 FRONT LAMPS 927
 FRONT STRUCTURAL COMPONENTS 928
 FRONT SUSPENSION 936
 FUEL SYSTEM 951
 HOOD & GRILLE 931
 INFORMATION LABELS 926
 INSTRUMENT PANEL 940
 MODEL IDENTIFICATION 926
 PAINT IDENTIFICATION 926
 PILLARS, ROCKER & FLOOR
 CONVERTIBLE 946
 COUPE 945
 QUARTER PANEL
 CONVERTIBLE 950
 COUPE 949

REAR BODY
 CONVERTIBLE 953
 COUPE 952
 REAR BUMPER 955
 REAR LAMPS 954
 REAR SUSPENSION 951
 RESTRAINT SYSTEMS 941
 ROOF
 CONVERTIBLE 944
 COUPE 943
 SEATS & TRACKS 942
 STEERING COLUMN 938
 STEERING GEAR & LINKAGE 937
 STEERING WHEEL 938
 TRANSMISSION 935
 TRUNK LID 954
 UNDERHOOD DIAGRAM 931
 WHEELS 936
 WINDSHIELD
 CONVERTIBLE 939
 COUPE 938

MODEL IDENTIFICATION

NOTES

MODEL	CHASSIS CODE
CLK320 COUPE	98-01 208.365
CLK430 COUPE	99-01 208.370
CLK320 CONVERTIBLE	99-01 208.465
CLK430 CONVERTIBLE	00-01 208.470
CLK55 AMG	01 208.374

PAINT IDENTIFICATION

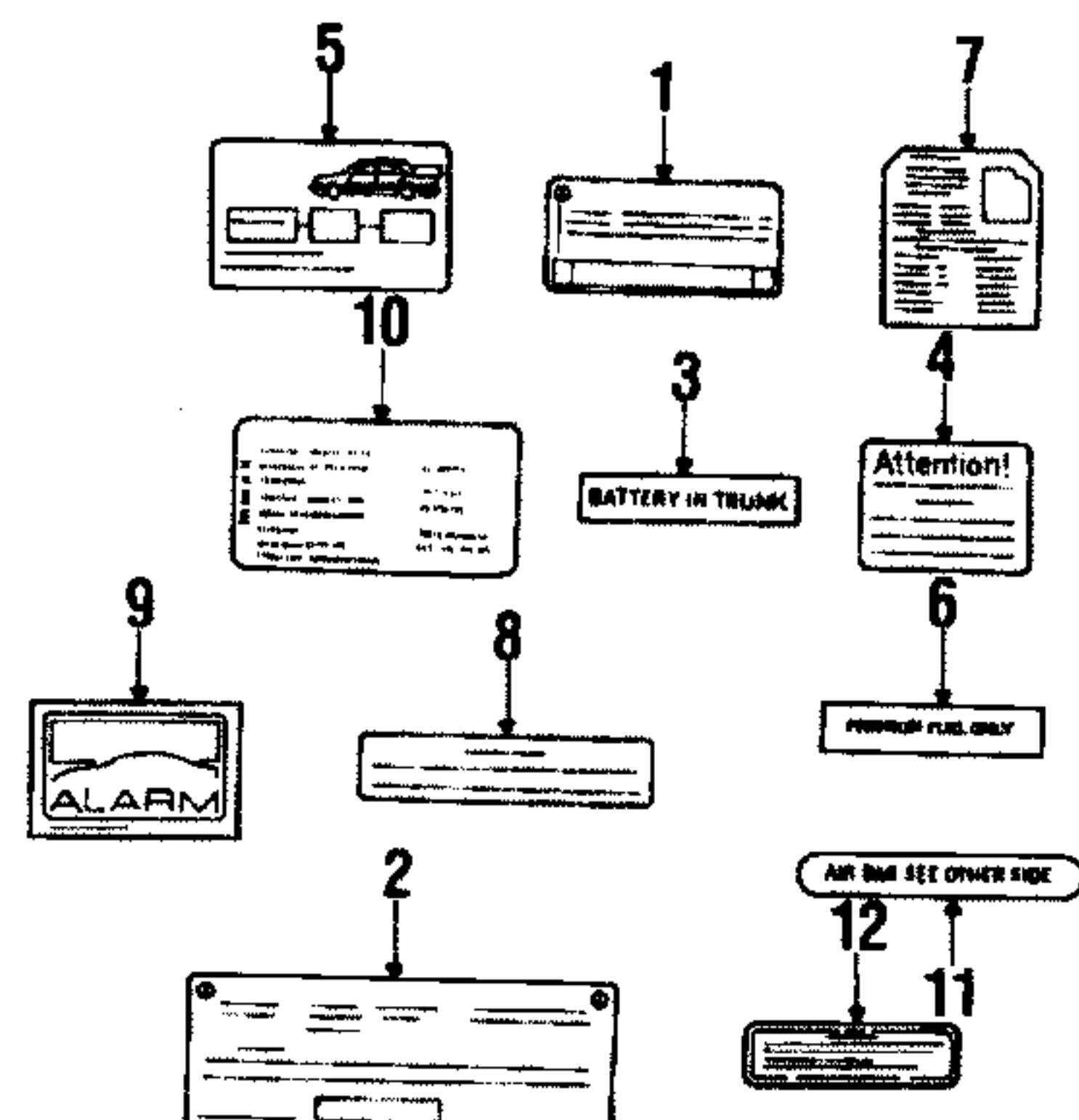
PAINT PROCESS

All colors are base coat/clear coat.

PAINT CODE IDENTIFICATION

Code found on information plate on center radiator support.

INFORMATION LABELS



5769005

OVERLAP OPERATIONS
 Install all labels 98-01 0.3

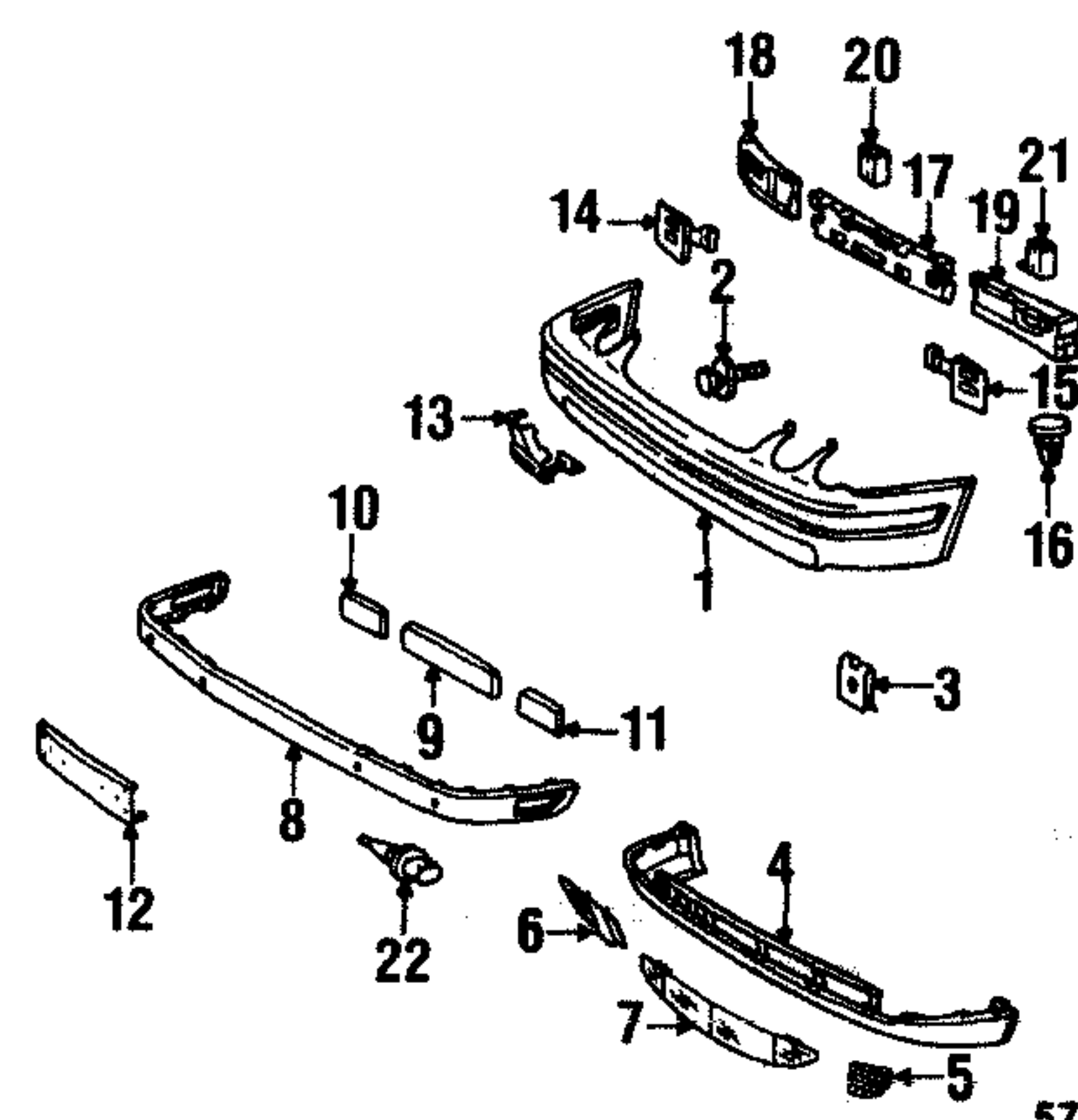
PARTS AND R&R OPERATIONS

LABELS				
1 Plate identification	98-01	¶	0.2	210 584 00 02
2 Emission label				
3.2 liter	98-01	3.50¶	0.2	208 584 05 17
4.3 liter	99-01	3.50¶	0.2	208 584 05 17
5.5 liter	01	¶	0.2	208 584 19 17
Info label				
3 "BATTERY IN TRUNK"	98-01	1.20#	0.2	140 584 68 17
4 coolant & radiator	98-01	4.35#	0.2	210 584 07 21
5 Tire info label				
coupe				
w/o CLK55	98-01	3.10¶	0.2	208 584 08 39
w/CLK55	01	3.90¶	0.2	202 584 03 39
convertible	98-01	3.90¶	0.2	208 584 01 39

6 Fuel label				
"Premium only"	98-01	1.50#	0.2	210 584 87 17
7 Fuse box label				
coupe, front fuse box				
3.2 liter	98	4.35#	0.2	208 545 00 00
4.3 liter	99	3.20#	0.2	208 545 04 00
5.5 liter	00-01	2.90#	0.2	208 545 16 00
convertible, front fuse box	99	3.20#	0.2	208 545 04 00
3.2 liter	00-01	2.90#	0.2	208 545 16 00
4.3 liter	99	3.20#	0.2	208 545 04 00
5.5 liter	00-01	2.90#	0.2	208 545 16 00
coupe, rear fuse box	99	1.70#	0.2	208 545 14 00
3.2 liter	00-01	#	0.2	208 545 22 00
4.3 liter	99	1.90#	0.2	208 545 02 00
5.5 liter	00-01	1.90#	0.2	208 545 10 00
convertible, rear fuse box	99	3.00#	0.2	208 545 18 00
3.2 liter	00-01	3.00#	0.2	208 545 18 00
4.3 liter	99	1.90#	0.2	208 545 10 00
5.5 liter	00-01	3.00#	0.2	208 545 18 00
convertible, rear fuse box	99-00	2.00#	0.2	208 545 12 00
3.2 liter	00-01	3.00#	0.2	208 545 20 00
8 xenon headlamp anti theft	98-01B	1.20#	0.2	129 817 28 20
9 on door on radio	98-01B	.50¶	0.2	140 817 04 20
on radio	98-01B	4.80¶	0.2	000 820 46 00
10 AC label	98-01	3.00#	0.2	202 817 69 20
Air bag label				
on visors				
"See other side"	98-01	.50#	0.2	210 817 11 20
caution	98-99B	2.50#	0.2	210 817 03 20
on central pillar	00-01B	2.50#	0.2	203 817 02 20
caution	98-99B	2.50#	0.2	210 817 03 20
00-01B	00-01B	2.50#	0.2	203 817 02 20

LABOR: Time is for application of first label. See OVERLAP OPERATIONS for multiple labels.
 ¶ PARTS: Order by description. All vehicle data is required. LABOR: Time is for application of first label. See OVERLAP OPERATIONS for multiple labels.

FRONT BUMPER



5769010

ADD IF REQUIRED
 R&R bumper cover add for h'lamp washer 98-01 0.3
OVERHAUL OPERATIONS
 O/H bumper assy 98-01 < 3.0
R&I OPERATIONS
 R&I bumper assy 98-01 1.5
PARTS AND R&R OPERATIONS

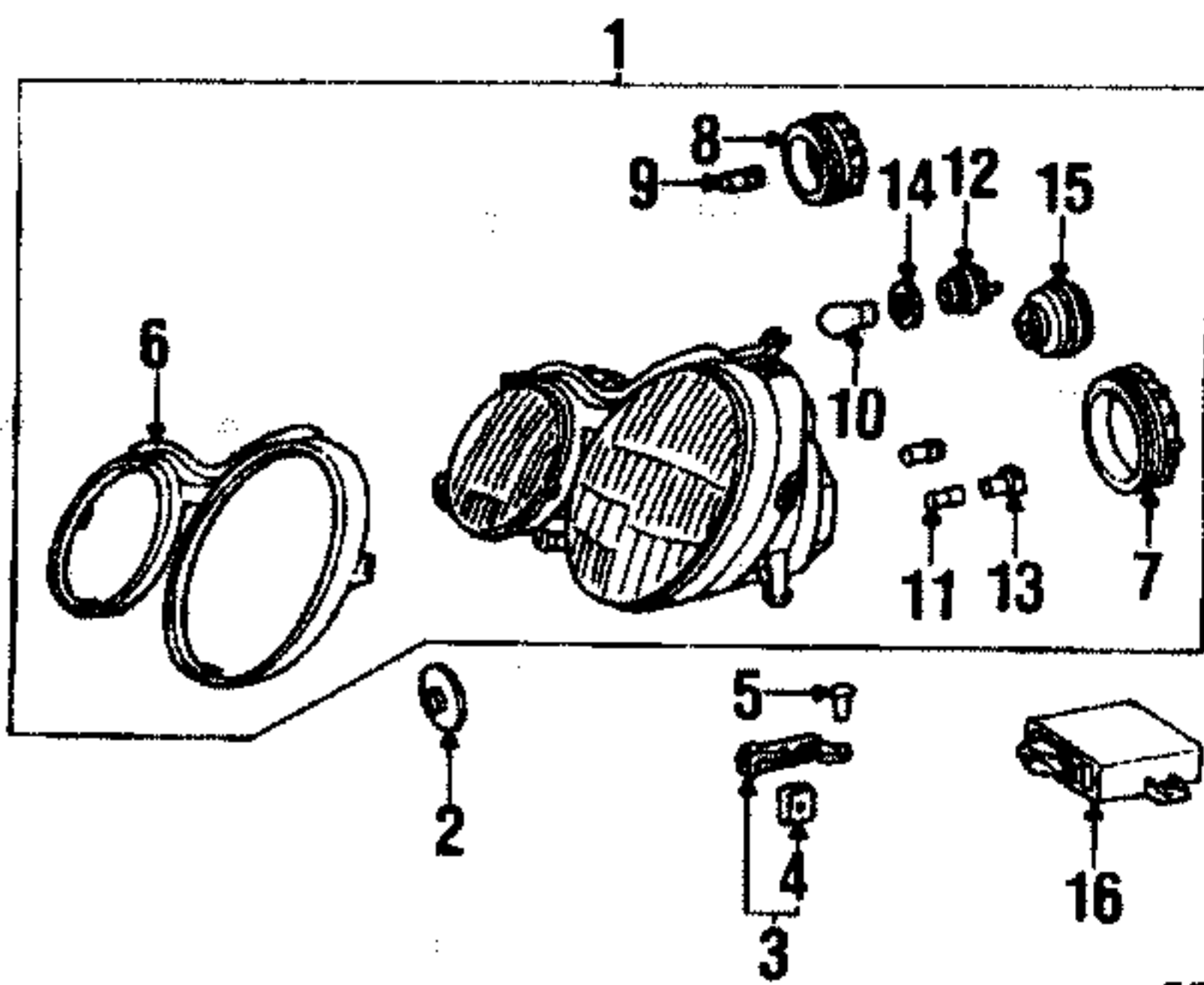
BUMPER & COMPONENTS

1 Bumper cover				
w/o AMG				
w/washer	(p2.6) 98-01	450.00¶	3.0	208 880 01 40
w/washer	(p2.6) 98-01	450.00¶	3.0	208 880 02 40
w/AMG				
w/washer	(p2.6) 99-01	1520.00¶	3.0	208 885 03 25
w/washer	(p2.6) 99-01	1520.00¶	3.0	208 885 05 25
2 screw	98-01	.70		304 017 00 5002
3 retainer				
3.2 liter	98-01	0.50		003 994 29 45
4.3 & 5.5 liter	98-01	.20		002 994 81 45
4 Lower cover				
3.2 liter	98-99	109.00‡	0.4	208 885 00 25
00-01	00-01	102.00‡	0.4	208 885 07 25
5 joint cover				
outer	98-01R	16.00		208 885 02 23
98-01L	98-01L	6.50		208 885 05 23
central	98-01	17.00		208 885 06 23
8 Trim cover pad	(p1.0) 98-01	101.00@		208 885 03 21
9 center	98-01	13.50‡		208 885 04 37
10 outer	98-01R	16.50‡		208 885 22 37
11 98-01L	98-01L	16.50‡		208 885 21 37
12 License mount				
alto gray	98-01	80.00#	0.3	208 885 01 817700
marble gray	98-01	80.00#	0.3	208 885 01 817201
argite green	98-01	80.00#	0.3	208 885 01 816303
clip	98-01	1.00		008 988 81 78
13 Cover				
tow bracket				
black	98-01	40.00#	0.2	208 885 00 269040
white	98-01	40.00#	0.2	208 885 00 269143

silver	98-01	40.00#	0.2	208 885 00 269744
14 Spacer	98-01R	7.00		208 885 02 95
15	98-01L	7.00		208 885 01 95
16 rivet	98-01B	.70		000 990 87 92
Energy absorber				
17 central				
coupe	98-01	28.50†		208 885 03 37
convertible	99-01	82.00†		208 885 29 37
outer				
18 coupe	98-01R	16.50†		208 885 02 37
19	98-01L	16.50†		208 885 01 37
convertible	99-01R	59.00†		208 885 26 37
	99-01L	59.00†		208 885 25 37
bracket				
20 coupe	98-01R	22.00		208 885 03 14
21	98-01L	22.00		208 885 00 14
convertible	98-01R	13.00		208 880 02 14
	98-01L	13.00		208 880 01 14
22 Temp sensor	98-01	15.00†	0.5	000 542 84 18
Cap				
headlamp washers				
black	(p.1) 98-01R	26.00*	0.2	208 880 02 059040
	(p.1) 98-01L	26.00*	0.2	208 880 01 059040
white	(p.1) 98-01R	26.00*	0.2	208 880 02 059143
	(p.1) 98-01L	26.00*	0.2	208 880 01 059143
silver	(p.1) 98-01R	26.00*	0.2	208 880 02 059744
	(p.1) 98-01L	26.00*	0.2	208 880 01 059744

PARTS: Order by color.
 † PARTS: Order by description. LABOR: Time is for overhaul. Includes R&R/R&I lower shield.
 ‡ LABOR: Included in overhaul.
 † LABOR: After bumper is removed.
 @ LABOR: Included in overhaul. Refinish time is provided for those instances when required color is not available or for some repair situations.
 * PARTS: Order by color. LABOR: Refinish time is provided for those instances when required color is not available or for some repair situations.
 < LABOR: Includes R&R/R&I lower shield.

FRONT LAMPS



5769015

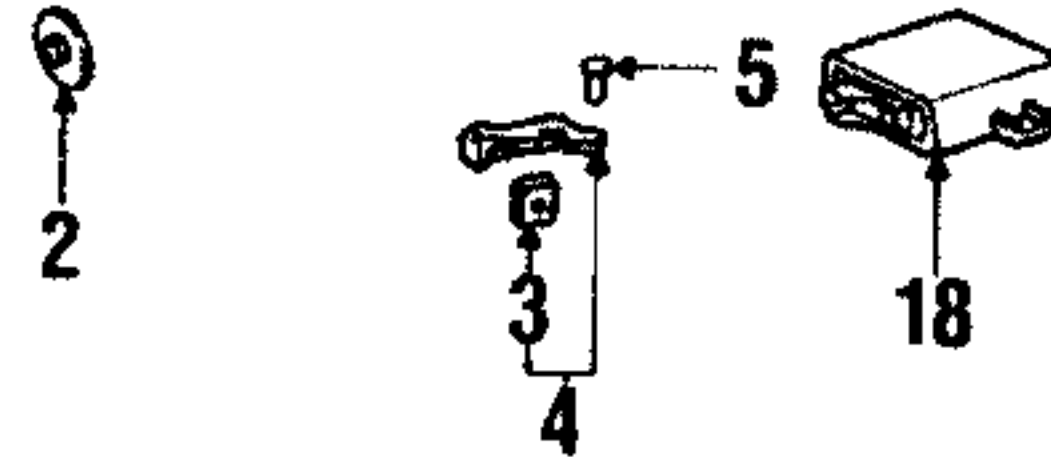
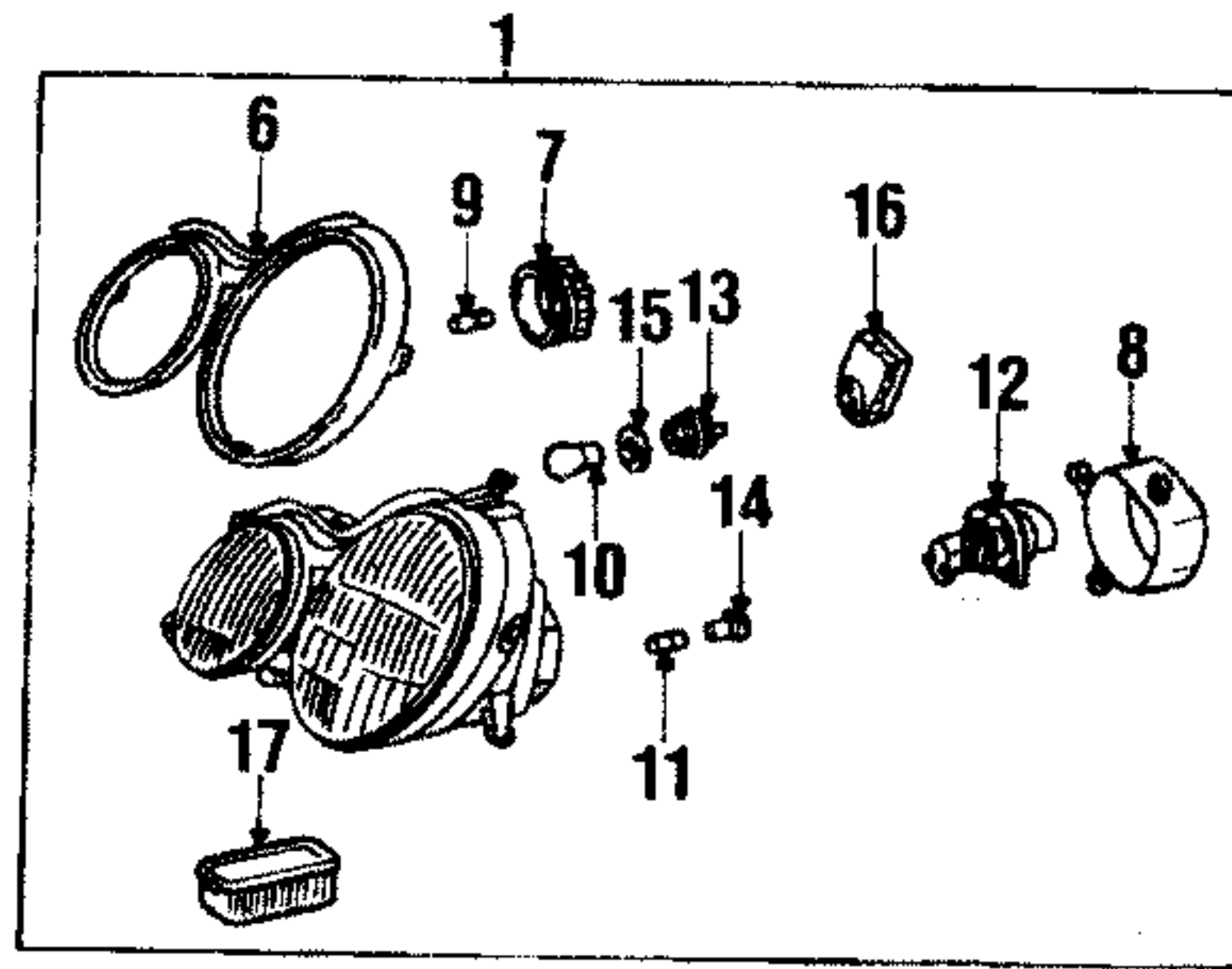
ADD IF REQUIRED
 Aim headlamps 98-01 0.5
 R&I OPERATIONS
 R&I headlamp assy 98-01 0.8

PARTS AND R&R OPERATIONS

HEADLAMP COMPONENTS W/O XENON HEADLAMPS				
1 Headlamp assy	98-01R	370.00	0.8=	208 820 06 61
	98-01L	370.00	0.8=	208 820 05 61
2 nut	98-01B	1.00		210 820 00 48
3 bracket	98-01R	3.40	0.1	208 820 04 14
	98-01L	3.40	0.1	208 820 03 14
4 retainer	98-01B	.50†		001 990 75 91
5 rivet	98-01B	.70		910 002 00 4145
6 Outer seal	98-01R	27.00#	0.2	208 826 02 80
	98-01L	24.00#	0.2	208 826 01 80
Cap				
7 low beam	98-01B	11.50#		208 820 01 49
8 high beam	98-01B	12.50#		208 820 02 49
Bulb				
9 headlamp	98-01B	15.00†	0.2	400 809 00 0007
10 signal lamp	98-01B	†	0.2	600 000 00 0002
11 parking lamp	98-01B	7.25†	0.2	000 000 00 0172
Socket				
12 signal lamp	98-01B	9.25#		000 826 91 82
13 parking lamp	98-01B	15.50#		210 826 05 82
14 seal				
15 Actuator	98-01B	1.10#		210 826 03 91
light range adjuster	98-99	35.00#		208 800 01 75
	00-01			NOT LISTED
16 Control module				
light range adjuster	98-01	308.00	0.3	210 820 64 26

PARTS: Part included in headlamp assembly.
 † PARTS: Part is included with bracket.

‡ PARTS: Part included in headlamp assembly. LABOR: Included with headlamp R&I R&R. Time is for one or all bulbs.

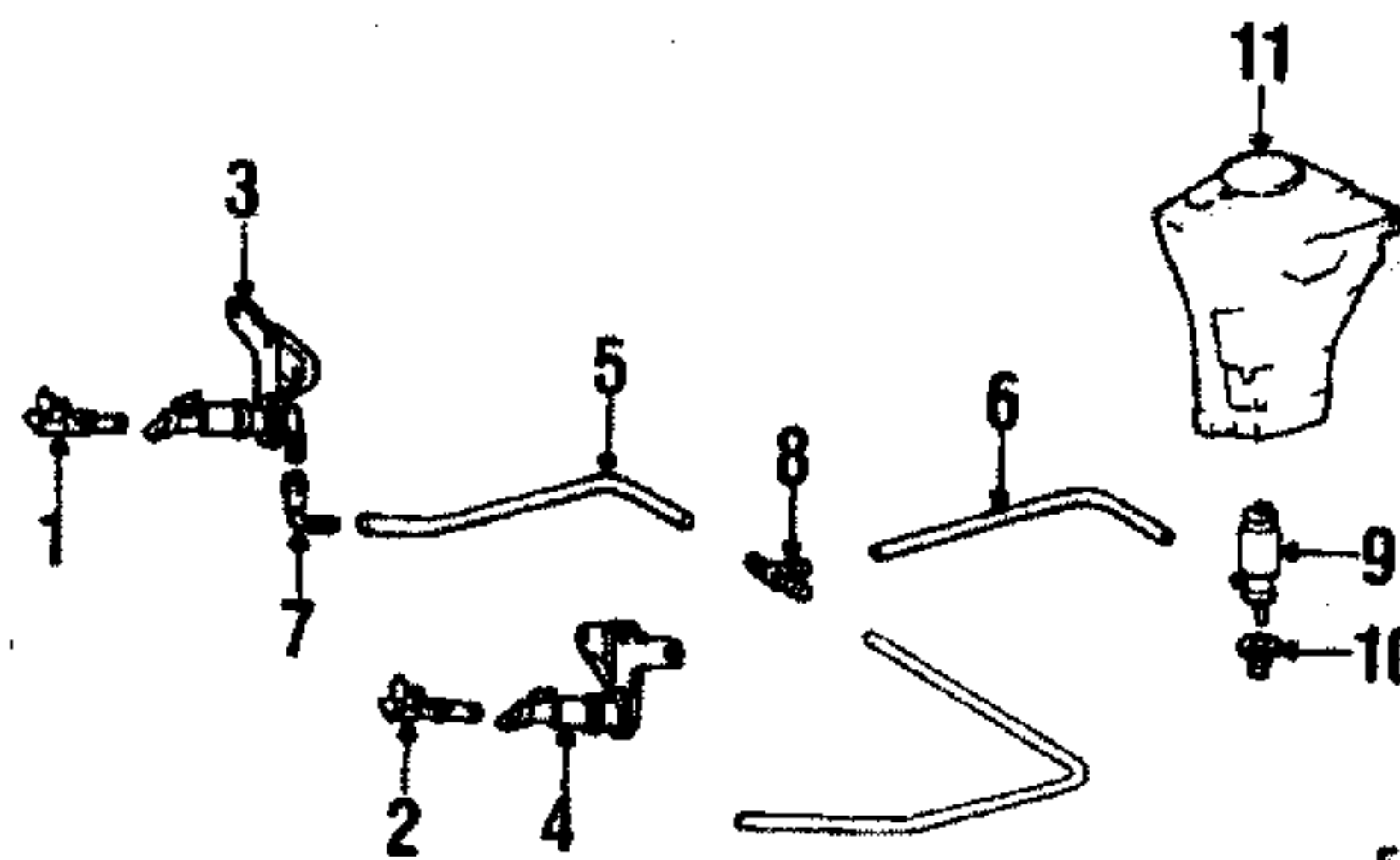


5769020

HEADLAMP COMPONENTS W/XENON HEADLAMPS

1 Headlamp assy	98-01R	775.00	0.8=	208 820 12 61
	98-01L	775.00	0.8=	208 820 11 61
2 nut	98-01B	1.00		210 820 00 48
3 retainer	98-01B	.50†		001 990 75 91
4 bracket	98-01R	3.40	0.1	208 820 04 14
	98-01L	3.40	0.1	208 820 03 14
5 rivet	98-01B	.70		910 002 00 4145
6 Outer seal	98-01R	27.00#	0.2	208 826 02 80
	98-01L	24.00#	0.2	208 826 01 80
Cap				
7 high beam	98-01B	12.50#		208 820 02 49
8 xenon lamp	98-01B	11.50#		208 820 01 49
Bulb				
9 high beam	98-01B	15.00†	0.2	400 809 00 0007
10 signal lamp	98-01B	†	0.2	600 000 00 0002
11 parking lamp	98-01B	7.25†	0.2	000 000 00 0172
12 xenon lamp	98-01B	183.00†	0.2	910 139 00 0000
Socket				
13 signal lamp	98-01B	#		001 826 91 82
14 parking lamp	98-01B	15.50#		210 826 05 82
15 seal				
16 Motor				
light range adjuster	98-01	92.00#		208 820 04 42
Control module				
17 xenon lamp	98-99R	358.00#		208 820 10 26
	98-99L	358.00#		208 820 09 26
	00-01B	358.00#		208 820 09 26
18 light range adjuster	98-01	308.00	0.3	210 820 64 26

PARTS: Part included in headlamp assembly.
 † PARTS: Part is included with bracket.
 ‡ PARTS: Part included in headlamp assembly. LABOR: Included with headlamp R&I R&R. Time is for one or all bulbs.

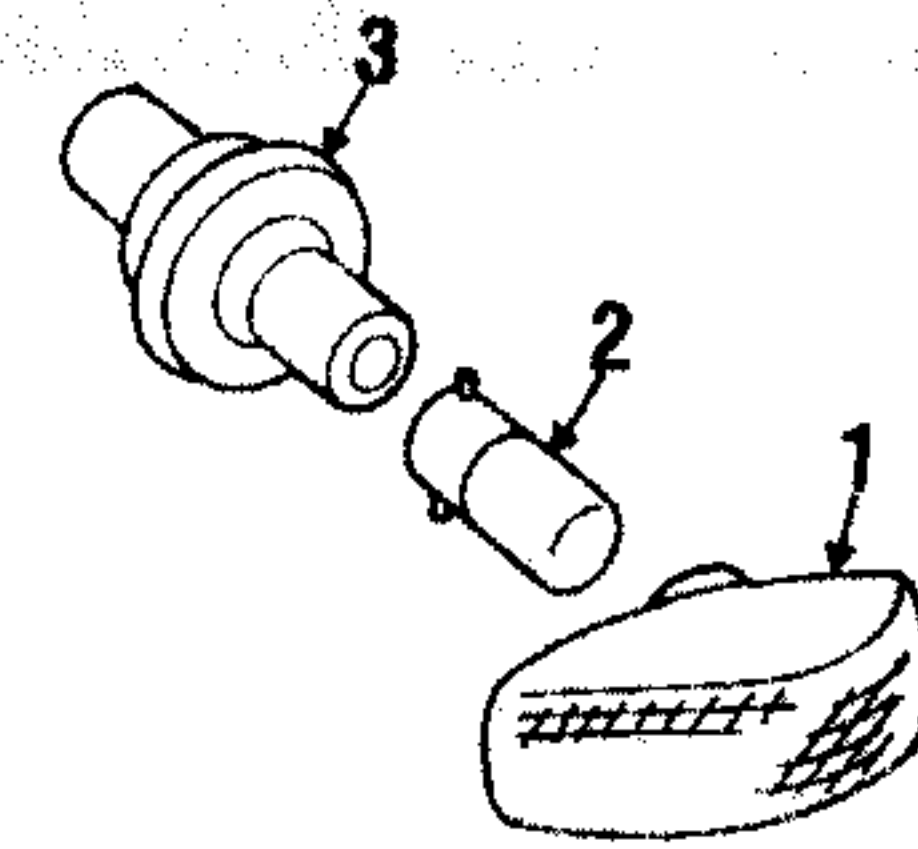


5769025

WASHER COMPONENTS

1 Nozzle	98-01R	32.00	0.2	208 860 04 47
2	98-01L	32.00	0.2	208 860 03 47
3 Drive gear	98-01R	75.00		208 860 06 47
4	98-01L	75.00		208 860 05 47
Washer hose				
5 to nozzle	98-01B	5.50		170 869 00 94
6 to pump	98-01			210 869 07 94
connector				
7 to nozzle	98-01B	4.00		208 869 00 24
8 center tee	98-01B			000 869 12 22
9 Washer pump	98	72.00†	0.2	210 869 03 21
	99-01	77.00†	0.2	210 869 11 21
10 grommet	98-01	1.40		210 997 00 81
11 Reservoir	98-00	#		SEE FOOTNOTE

PARTS: Part Located in WINDSHIELD group, under WIPER & WASHER COMPONENTS subgroup.
 † LABOR: After reservoir is removed.

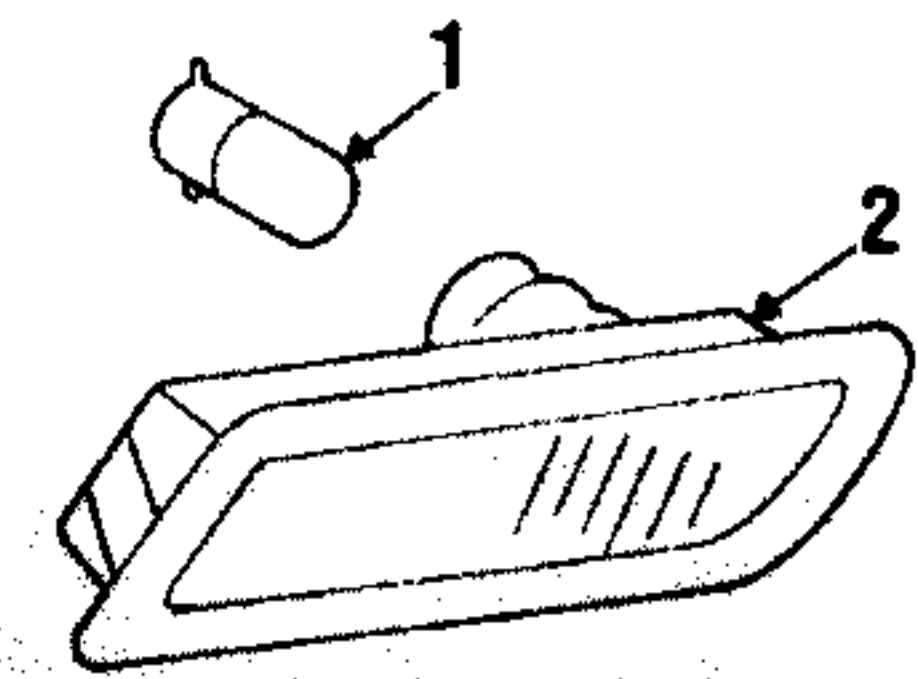


5769030

SIGNAL LAMPS

1998-99				
1 Signal lamp	98-99B	5.50	0.2=	210 820 09 21
2 Bulb	98-99B	2.20#	0.2	002 544 26 94
3 Socket	98-99B	8.50		000 540 09 66

LABOR: Included with signal lamp R&I R&R.

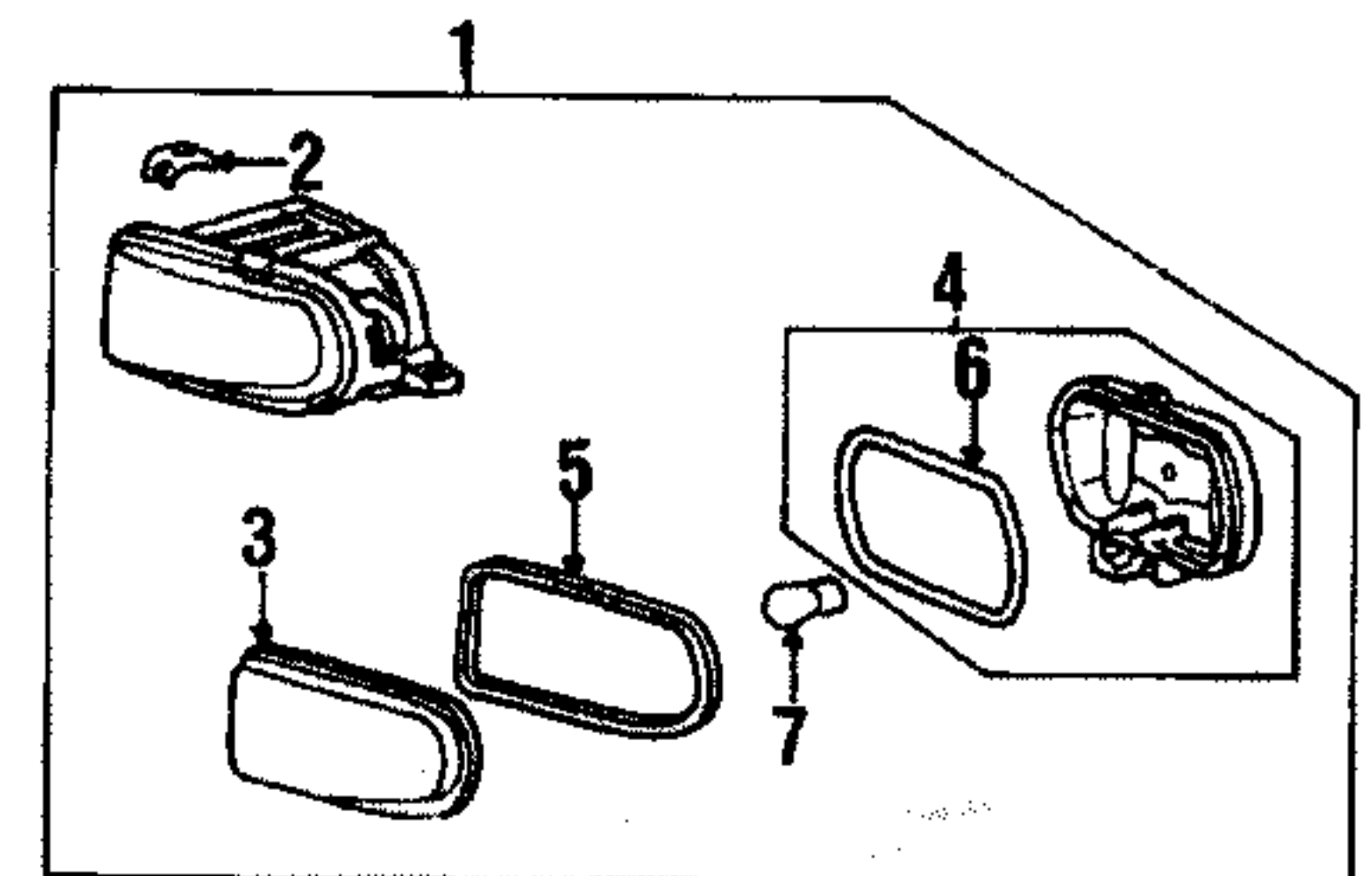


5769035

SIDE MARKER LAMPS

1 Signal lamp	98-01R	22.00	0.2=	208 820 02 21
	98-01L	21.50	0.2=	208 820 01 21
2 Bulb	98-01B	1.40#	0.2	072 601 01 2250

LABOR: Included with signal lamp R&I R&R.

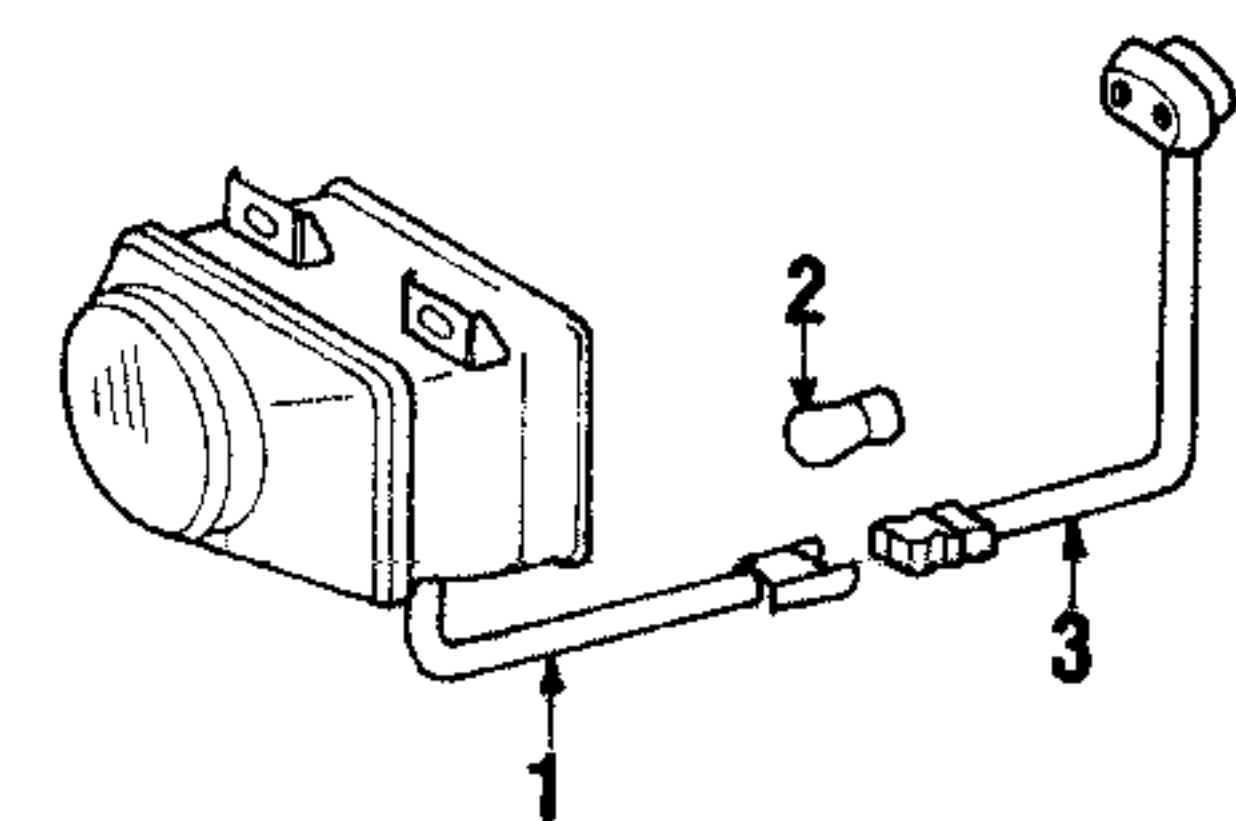


5769040

FOG LAMPS

CLK 320				
1 Fog lamp assy	98-01R		0.5=	208 820 02 56
	98-01L	160.00	0.5=	208 820 03 56
2 spring	98-01B	1.20#		140 826 02 84
3 Lens	98-01R	17.50†	0.8	170 826 10 90
	98-01L	17.50†	0.8	170 826 09 90
4 Cap	98-01B	10.50#		210 820 00 49
Seal				
5 outer	98-01B	3.50#		170 826 00 91
6 inner	98-01B	5.50†		210 826 02 91
7 Bulb	98-99B	11.50†	0.3	072 601 01 2270
	00-01B	11.50†	0.3	000 000 00 0268

PARTS: Part is included in fog lamp assembly.
 † PARTS: Part is included with cap.
 ‡ PARTS: Part is included in fog lamp assembly. LABOR: Includes R&I fog lamp assy.
 † PARTS: Part is included in fog lamp assembly. LABOR: Included with fog lamp R&I R&R.



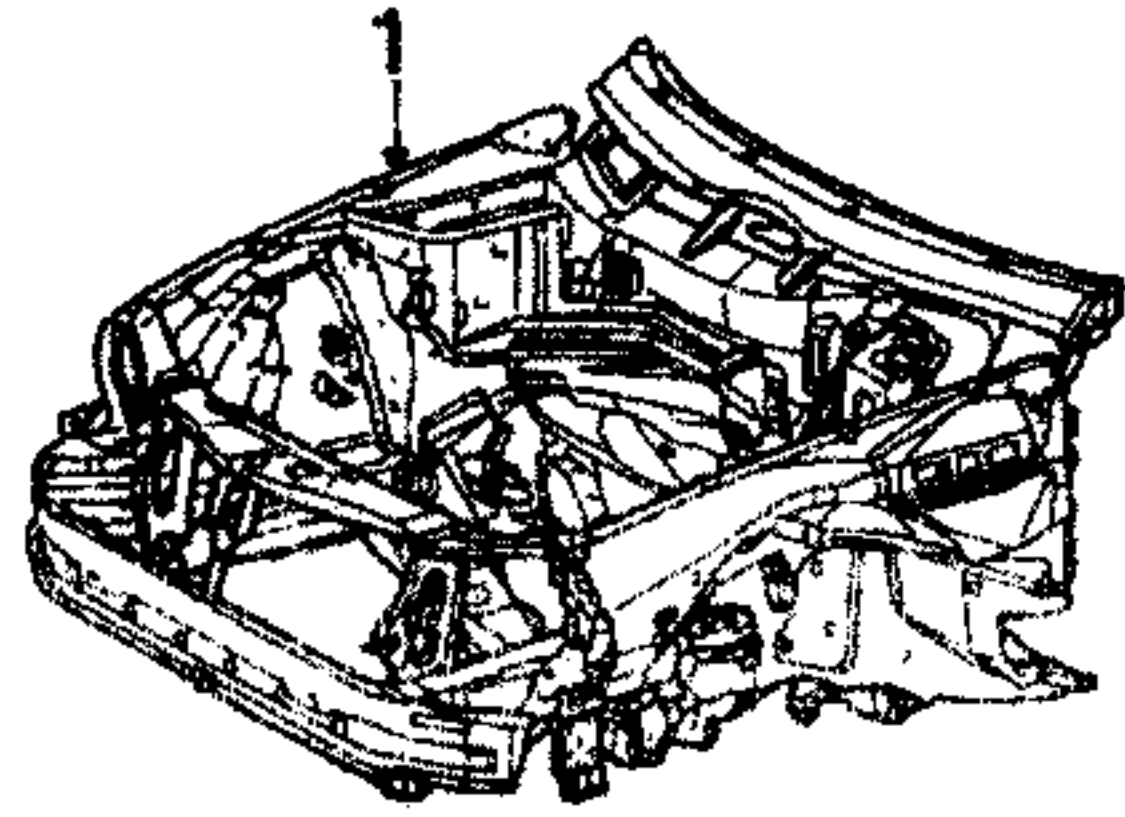
5769042

FOG LAMPS

CLK 430				
1 Fog lamp assy	99-01R	160.00	0.5=	208 820 04 56
	99-01L	160.00	0.5=	208 820 03 56
2 Bulb	99 B	11.50#	0.3	072 601 01 2270
	00-01B	11.50#	0.3	000 000 00 0268
3 Harness	99-01B	20.00		WA2 105 40 0108

PARTS: Part is included in fog lamp assembly. LABOR: Included with fog lamp R&I R&R.

FRONT STRUCTURAL COMPONENTS



5769045

PARTS AND R&R OPERATIONS

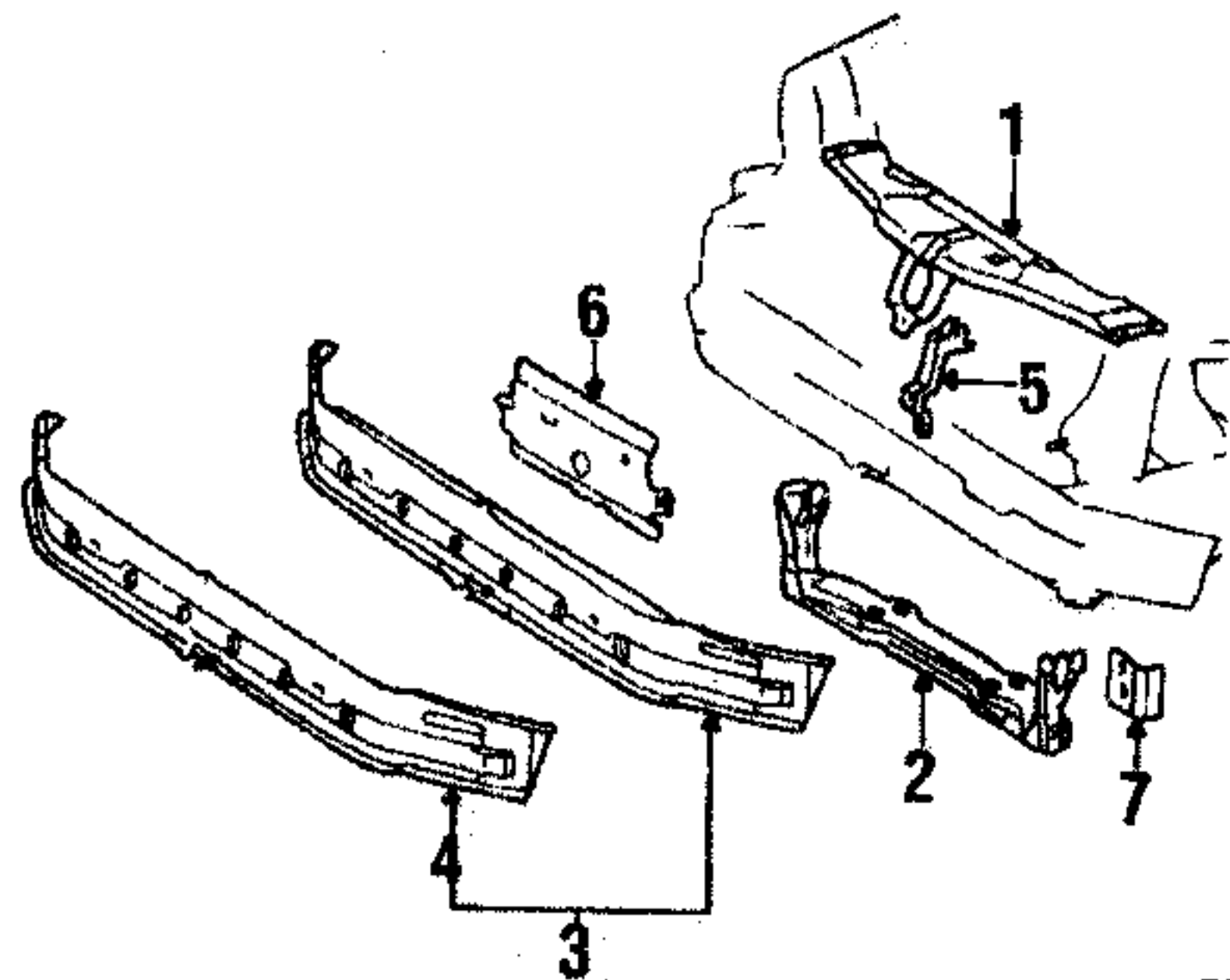
INNER STRUCTURE

Components available individually are listed in their respective groups, e.g., radiator support is listed in the COOLING group, apron & rail are listed in the FENDER group, and cowl & dash panels are listed in the COWL group.

1 Ft inr structure (p5.7) 98-01 3710.00† s 28.0 208 620 09 05

† LABOR: After bumper, headlamp, fender, suspension, engine assembly & all necessary bolted on parts are removed.

COOLING 3.2 LITER



5769050

REFINISHING NOTES

Refn rad support assy complete 98-01 p2.5

ADD IF REQUIRED

R&R radiator support
aim headlamps 98-01 0.5
evacuate & recharge 98-01 m 1.4
refrigerant recovery 98-01 m 0.4

OVERHAUL OPERATIONS

O/H rad support 98-01 @ 10.0

PARTS AND R&R OPERATIONS

RADIATOR SUPPORT

1 Upper tie bar ... (p.7) 98-01	51.00# s	1.0	208 620 03 72
2 Lower tie bar ... (p1.0) 98-01	47.00† s	3.5	208 620 03 86
3 Crossmember ... (p1.0) 98-01	80.00† s	3.0	208 620 05 86
4 cover 98-01	43.50†	0.6	208 626 05 30
5 Support brace 98-01	5.50†		208 620 00 85
6 Reinf bracket convertible 99-01	16.00†		208 626 13 16
7 Bracket convertible 99-01B	5.00†		208 626 00 12

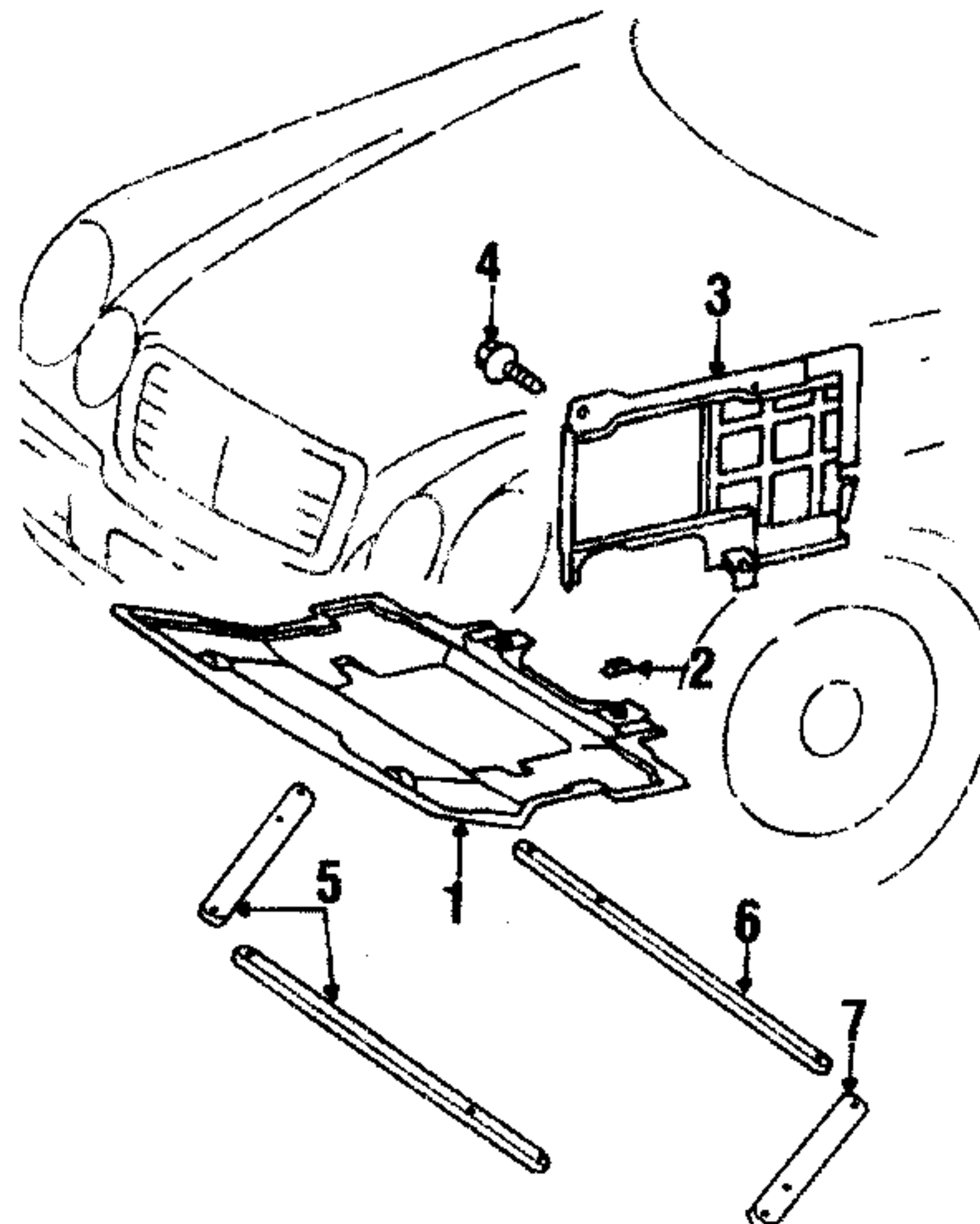
PARTS: Part included in Front inner structure, listed in the FRONT STRUCTURAL COMPONENTS group. LABOR: After headlamps & all necessary bolted on parts are removed.

† PARTS: Part included in Front inner structure, listed in the FRONT STRUCTURAL COMPONENTS group. LABOR: After bumper, radiator & all necessary bolted on parts are removed.

‡ PARTS: Part included in Front inner structure, listed in the FRONT STRUCTURAL COMPONENTS group. LABOR: After bumper, radiator & all necessary bolted on parts are removed.

† PARTS: Part is included with crossmember.

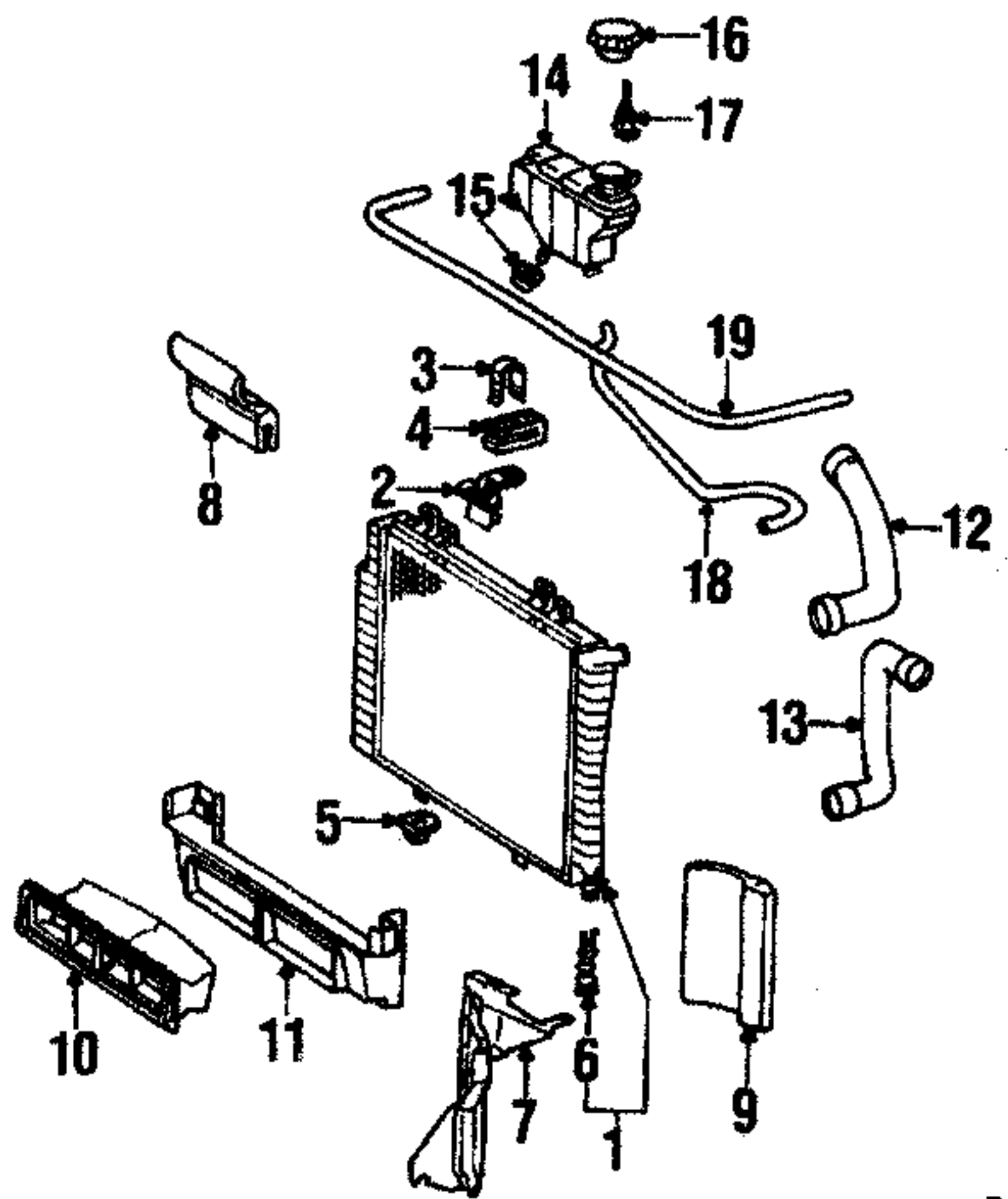
@ LABOR: Time includes upper tie bar, lower tie bar, crossmember, support brace. R&R/R&I headlamp assemblies, radiator, AC condenser, fan shroud & motor, horns, air duct, and splash shield. Includes D&R hood release cable and front wiring as necessary.



5769055

SPLASH SHIELDS

1 Lower shield 98-01	47.00	0.5	202 524 13 30
2 retainer 98-01	.70		001 994 98 45
3 Side shield 98-01R	15.00	0.3	202 524 15 30
..... 98-01L	15.00	0.3	202 524 14 30
4 screw 98-01B	1.20		201 990 11 36
Support brace convertible			
5 front 99-01B	132.00		208 616 00 17
6 rear 99-01R	134.00		208 616 02 17
7 99-01L	134.00		208 616 01 17



5769060

RADIATOR & COMPONENTS

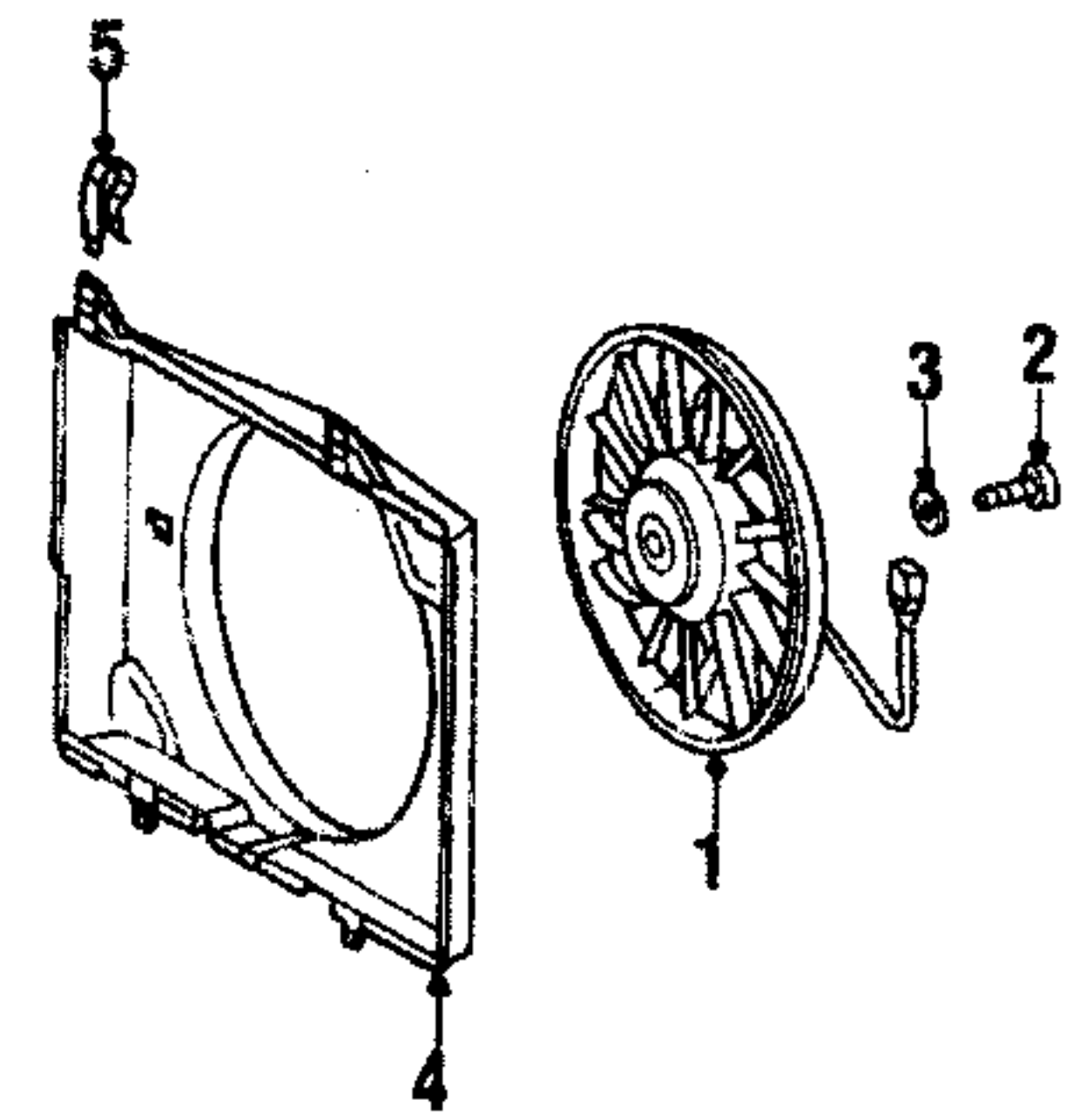
OVERLAP OPERATIONS

R&R radiator hose with radiator off
upper 98-01 m 0.3
lower 98-01 m 0.4

PARTS AND R&R OPERATIONS

1 Radiator 98-99	420.00	2.2=	202 500 32 03
..... 00-01	262.00	2.2=	202 500 22 03
2 upper bracket 98-01	.85		202 505 00 73
3 clamp 98-01	1.00		210 504 01 46
4 upper insulator 98-01	1.00		210 504 04 12
5 lower insulator 98-01	1.50		140 504 02 12
6 Drain plug 98-01	2.20#		000 500 01 85
7 Side cover 98-01	13.50	0.2	208 505 02 88
Air guide			
8 upper 98-01	1.90	0.1	202 505 01 86
9 lower 98-01	3.90	0.1	202 505 08 86
Baffle			
10 outer 98-01	17.50	0.2	208 505 05 30
11 inner 98-01	25.00	0.3	208 505 03 30
12 Upper hose 98-01	28.50	m 0.8	202 501 49 82
13 Lower hose 98-01	33.50	m 0.9	202 501 50 82
14 Expansion tank 98-01	43.50	m 0.5	202 500 06 49
15 insulator 98-01	.85		201 504 01 12
16 Cap 98-01	15.50		210 501 03 15
17 Level sensor 98-01	21.00		210 545 00 24
Hose			
18 tank to radiator 98-01	27.00	m 0.4	202 501 53 82
19 tank to engine 98-01	38.50	m 0.4	000 000 00 0734

PARTS: Part is included with radiator.

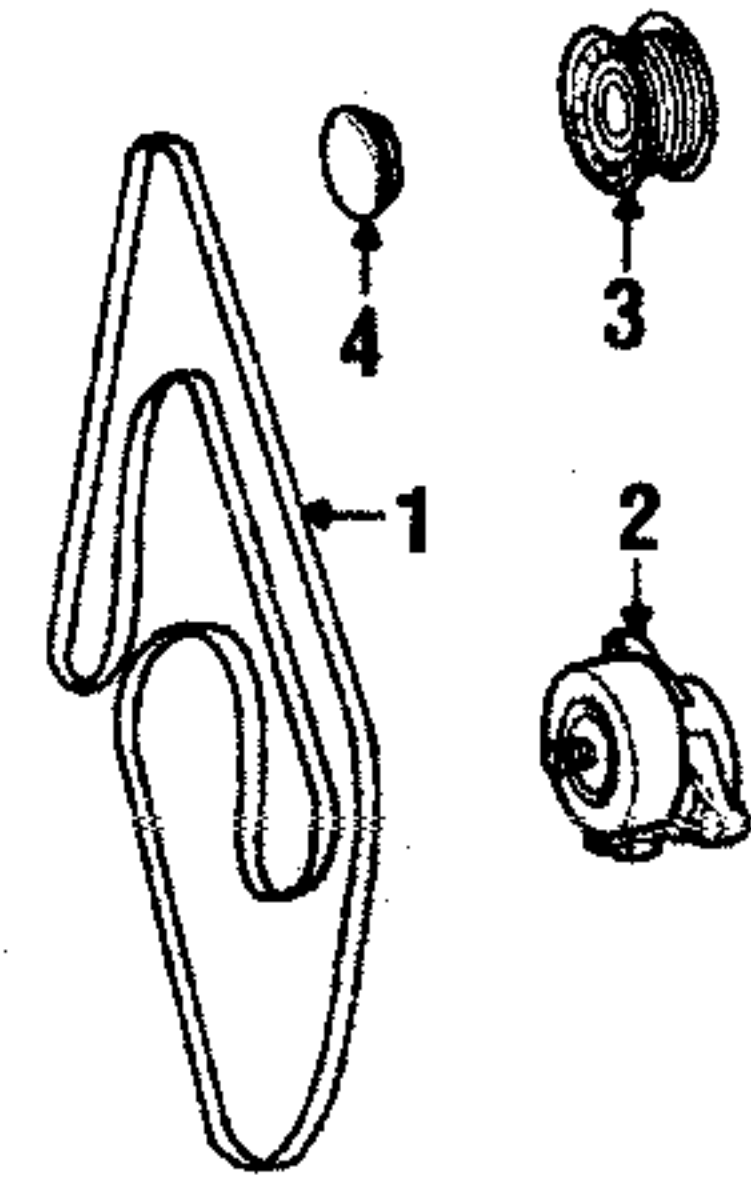


5769065

COOLING FAN

1 Fan assy 98-01	194.00†	m 0.8=	000 540 16 88
2 screw 98-01			914 145 00 5202
3 washer 98-01	.40		000 433 00 5304
4 Shroud 98-01	89.00†	0.8	202 505 40 55
5 clamp 98-01	.85		123 504 02 46

† LABOR: After radiator is removed. Time is for fan and shroud.

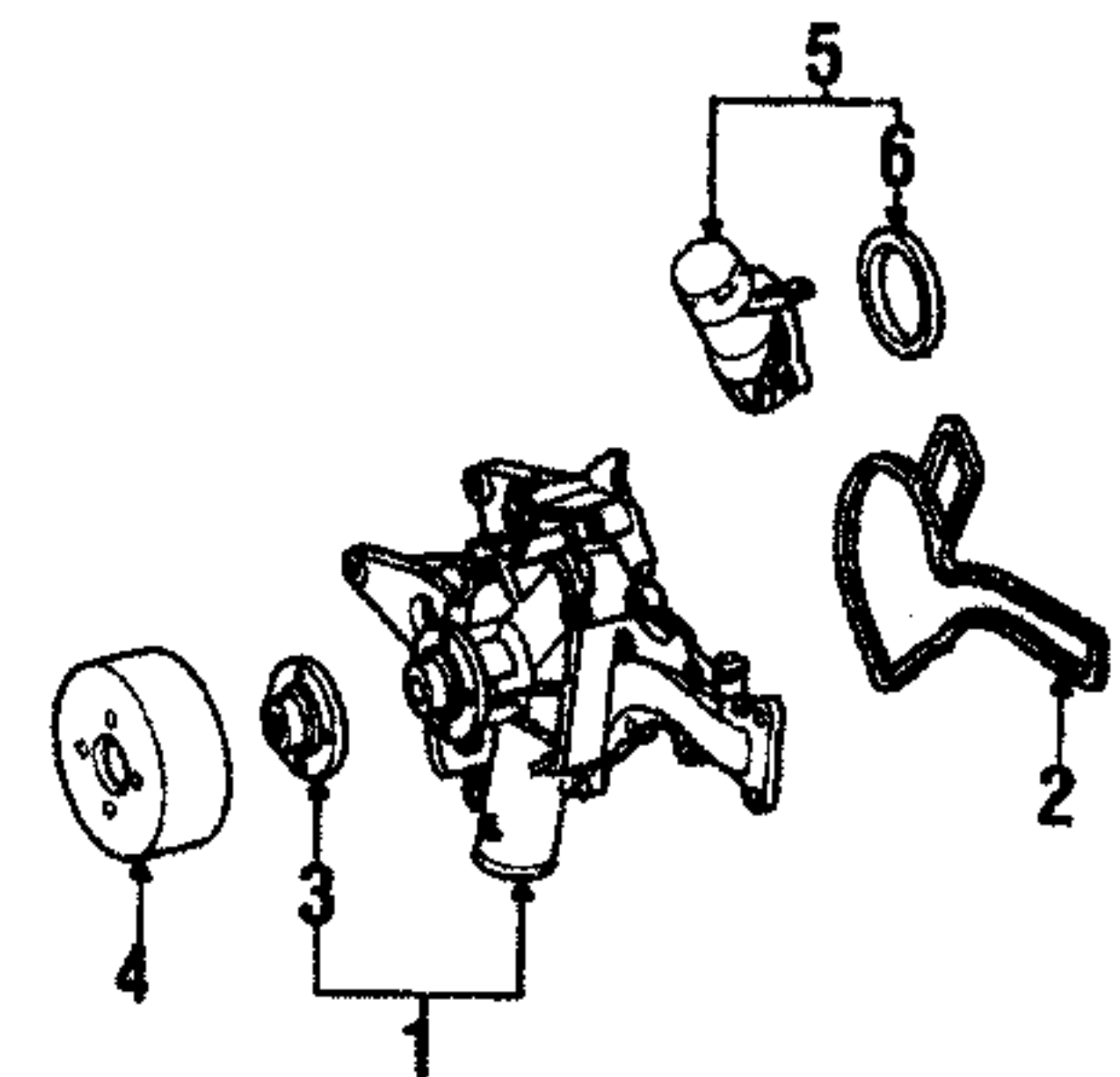


5769070

BELTS & PULLEYS

PARTS AND R&R OPERATIONS

1 Serpentine belt 98-01	33.50	m 1.0	011 997 97 92
2 Belt tensioner 98-01	274.00	m 1.2	112 200 03 70
3 Pulley 98-01	28.50		000 202 00 19
4 cap 98-01	1.00		001 988 57 35



5769075

WATER PUMP

OVERLAP OPERATIONS

R&R water pump with belt off
deduct 98-01 m 0.5

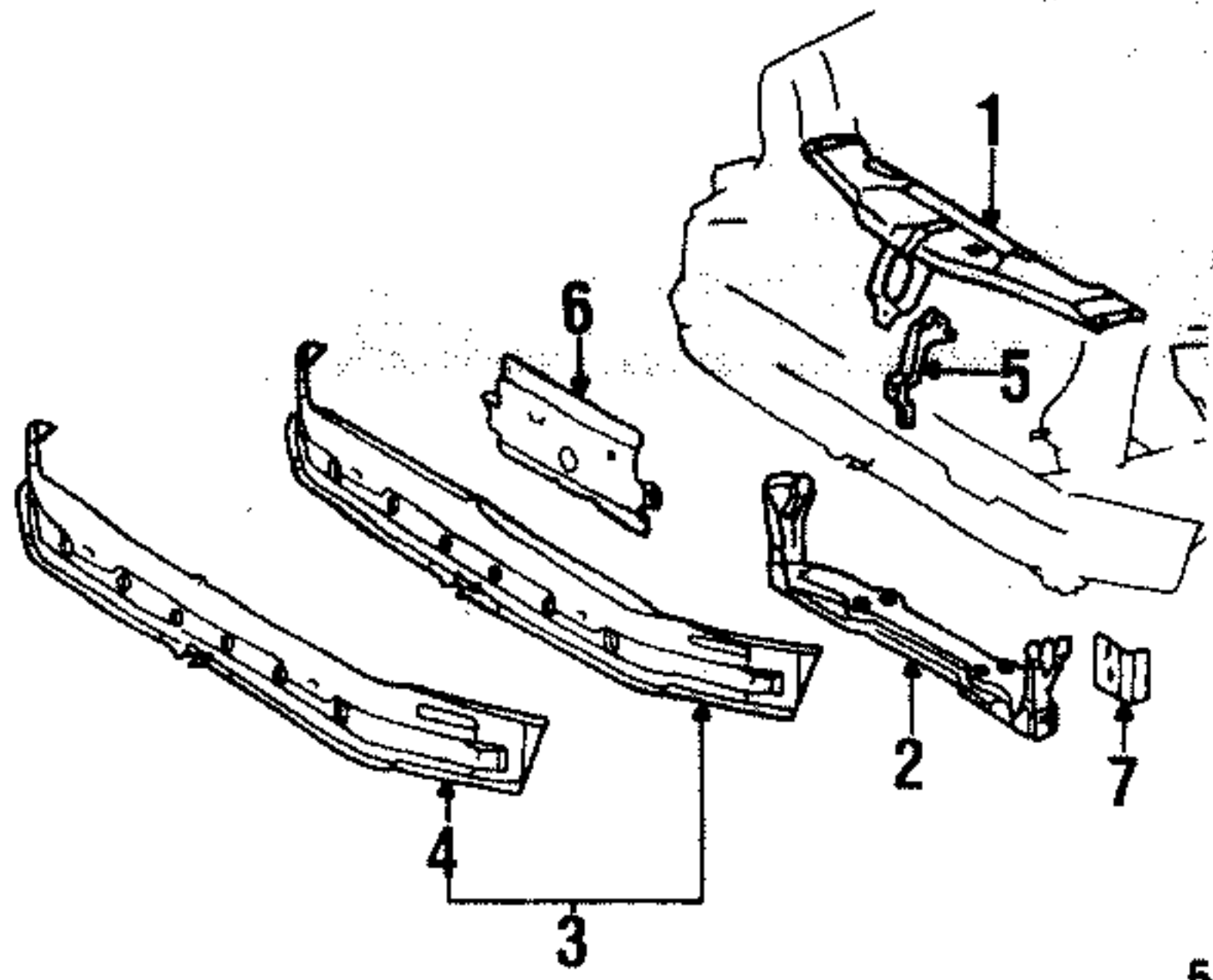
PARTS AND R&R OPERATIONS

1 Water pump			
Federal 98-01	272.00	m 3.0	112 200 14 01
California 98-01	286.00	m 3.0	112 200 12 01
2 gasket 98-01	4.20		111 201 00 80
3 Flange 98-01	43.50#		112 201 01 39
4 Pulley 98-01	28.50	m 1.1	112 202 01 10
5 Thermostat 98-01	33.50	m 1.5	112 200 00 15
6 gasket 98-01	1.50†		112 203 00 76

PARTS: Part is included with water pump.

† PARTS: Part is included with thermostat.

**COOLING
4.3 LITER**



5769525

REFINISHING NOTES

Refn rad support assy complete 99-01 p2.5

ADD IF REQUIRED

R&R radiator support aim headlamps 99-01 0.5
evacuate & recharge 99-01 m 1.4
refrigerant recovery 99-01 m 0.4

OVERHAUL OPERATIONS

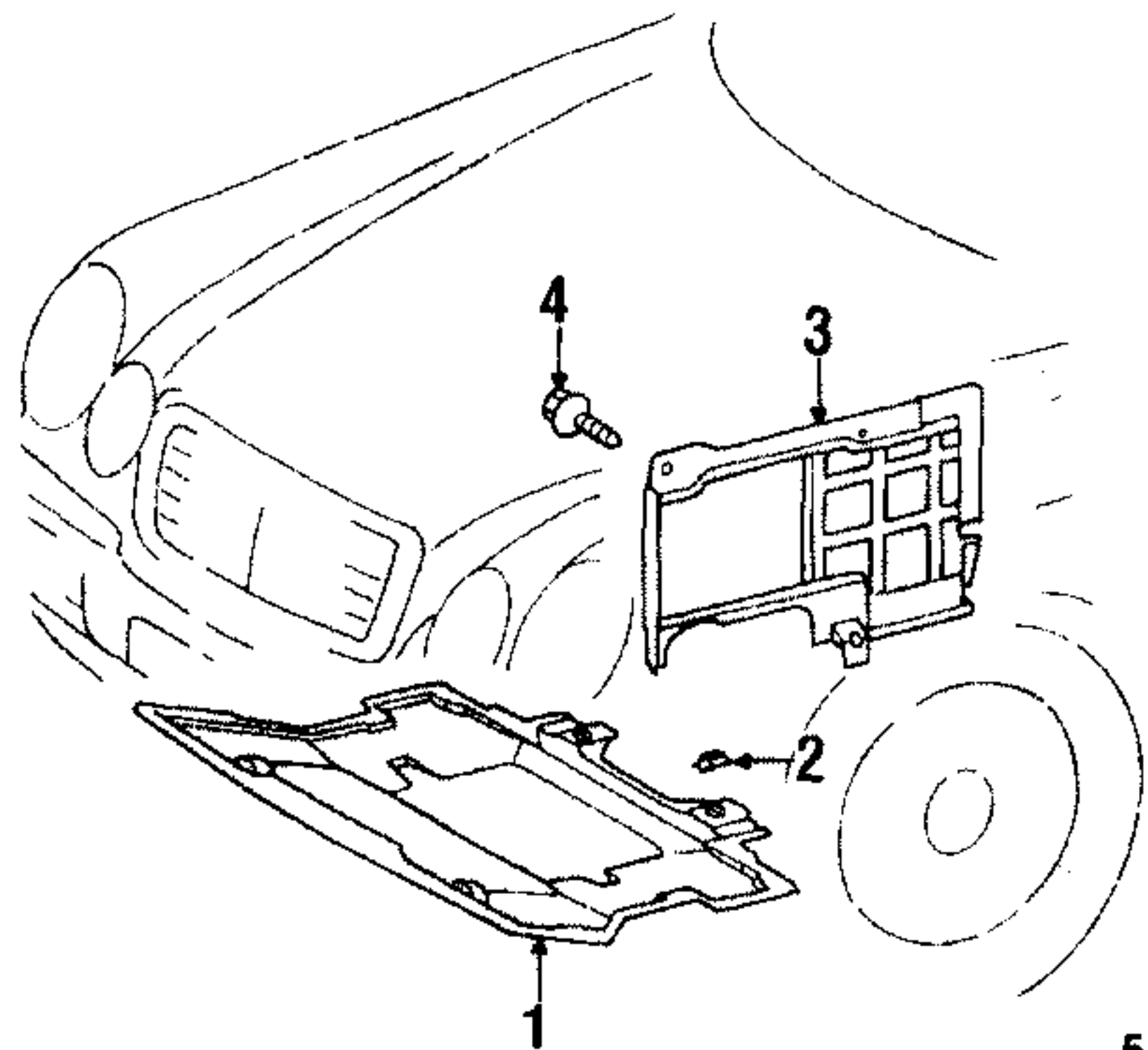
O/H rad support 99-01 @ 10.0

PARTS AND R&R OPERATIONS

RADIATOR SUPPORT

1	Upper tie bar . . . (p.7)	99-01	51.00# s	1.0	208 620 03 72
2	Lower tie bar . . . (p1.0)	99-01	47.00# s	3.5	208 620 03 86
3	Crossmember . . . (p1.0)	99-01	80.00# s	3.0	208 620 05 86
4	cover	99-01	43.50#	0.6	208 626 05 30
5	Support brace	99-01	5.50#		208 620 00 85
6	Reinf bracket convertible	00-01	16.00#		208 626 13 16
7	Bracket convertible	00-01B	5.00#		208 626 00 12

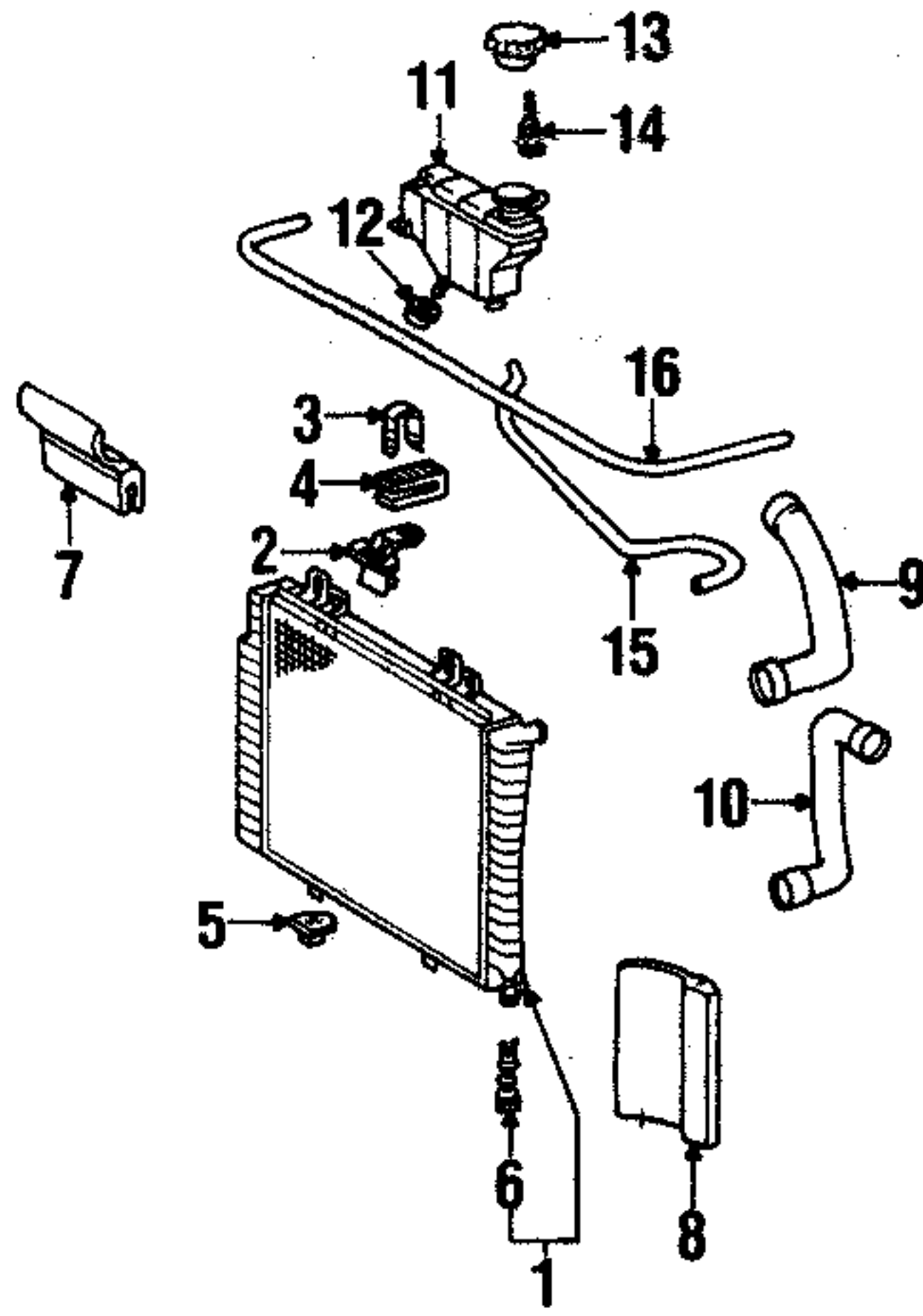
- # PARTS: Part included in Front inner structure, listed in the FRONT STRUCTURAL COMPONENTS group. LABOR: After headlamps & all necessary bolted on parts are removed.
- † PARTS: Part included in Front inner structure, listed in the FRONT STRUCTURAL COMPONENTS group. LABOR: After bumper, radiator & all necessary bolted on parts are removed.
- ‡ PARTS: Part included in Front inner structure, listed in the FRONT STRUCTURAL COMPONENTS group. LABOR: After bumper, radiator & all necessary bolted on parts are removed.
- † PARTS: Part is included with crossmember.
- @ LABOR: Time includes upper tie bar, lower tie bar, crossmember, support brace. R&R/R&I headlamp assemblies, radiator, AC condenser, fan shroud & motor, horns, air duct, and splash shield. Includes D&R hood release cable and front wiring as necessary.



5769530

SPLASH SHIELDS

1	Lower shield	99-01	47.00	0.5	202 524 13 30
2	retainer	99-01	.70		001 994 98 45
3	Side shield	99-01R	15.00	0.3	202 524 15 30
		99-01L	15.00	0.3	202 524 14 30
4	screw	99-01B	1.20		201 990 11 36



5769535

RADIATOR & COMPONENTS

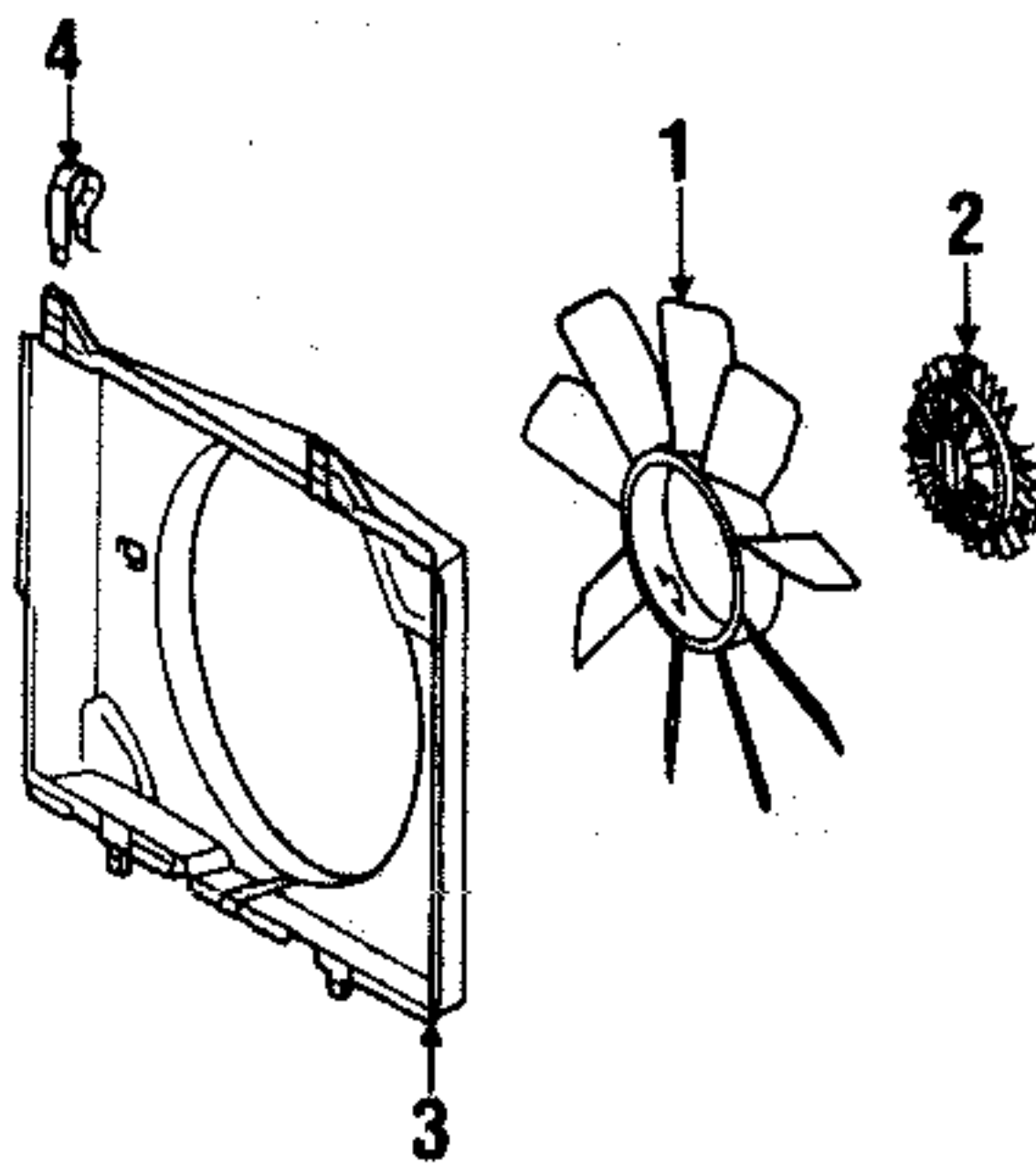
OVERLAP OPERATIONS

R&R radiator hose with radiator off
upper 99-01 m 0.3
lower 99-01 m 0.4

PARTS AND R&R OPERATIONS

1	Radiator	99-01	282.00	2.3=	202 500 75 03
2	upper bracket	99-01	.85		202 505 00 73
3	clamp	99-01	1.40		202 504 02 46
4	upper insulator	99-01	.70		202 504 11 12
5	lower insulator	99-01	1.50		140 504 02 12
6	Drain plug	99-01	2.20#		000 500 01 85
Air guide					
7	upper	99-01	1.90		202 505 01 86
8	lower	99-01	3.90		202 505 08 86
9	Upper hose	99-01	80.00	m 0.8	202 501 59 82
10	Lower hose	99-01	25.00	m 0.9	202 501 60 82
11	Expansion tank	99-01	43.50	0.5	202 500 06 49
12	insulator	99-01	.85		201 504 01 12
13	Cap	99-01	15.50		210 501 03 15
14	Level sensor	99-01	21.00		210 545 00 24
Hose					
15	tank to radiator	99-01	27.00	0.4	202 501 53 82
16	tank to engine	99-01	38.50	0.4	000 000 00 0734

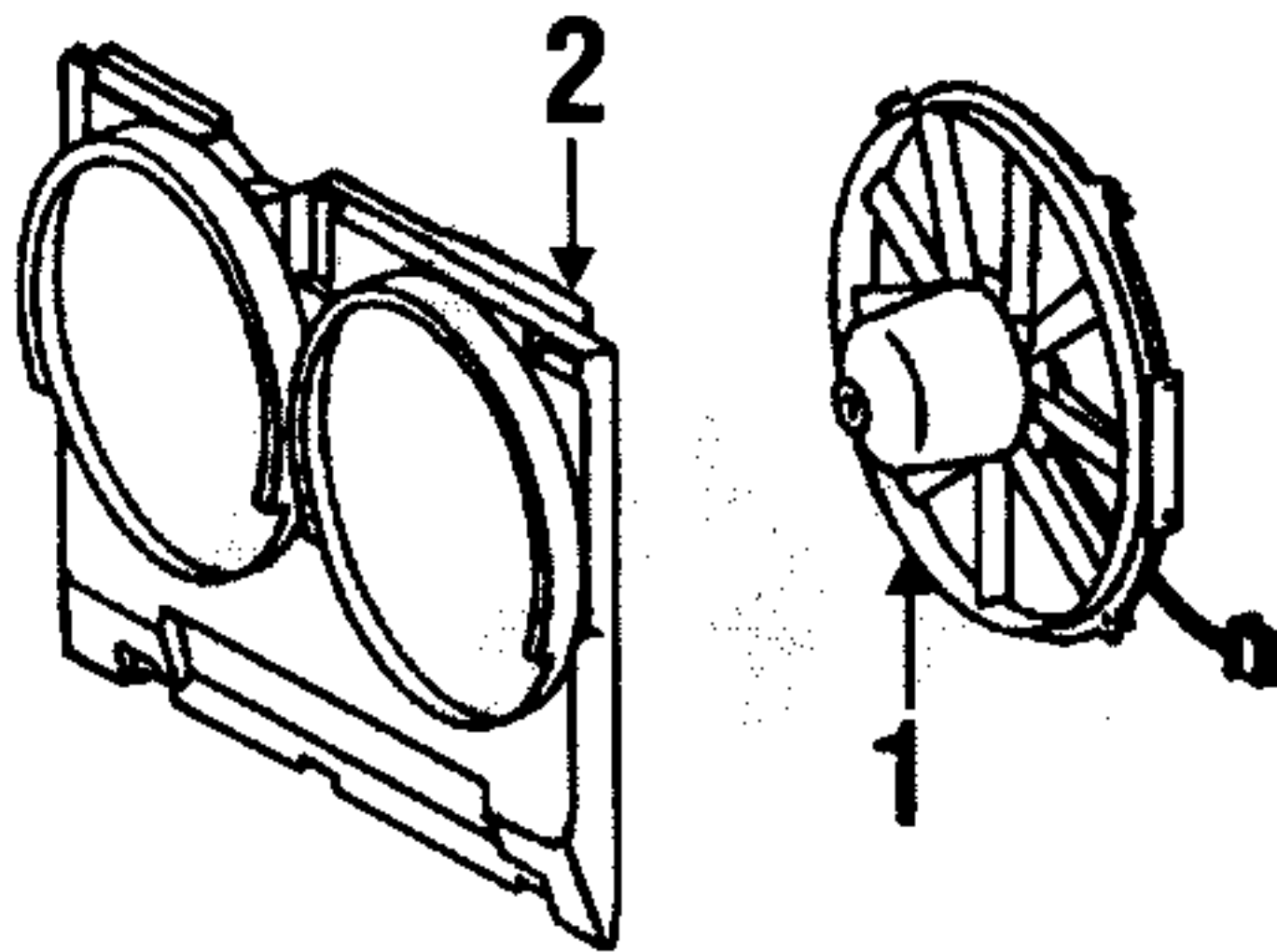
PARTS: Part is included with radiator.



5769540

**COOLING FAN
CLUTCH DRIVEN**

1	Fan assy	99-01	59.00	m 0.8	113 200 01 23
2	Clutch	99-01	189.00	m 0.8	112 200 01 22
3	Shroud	00-01	25.00		202 505 42 55
4	clip	00-01	.85		123 504 02 46



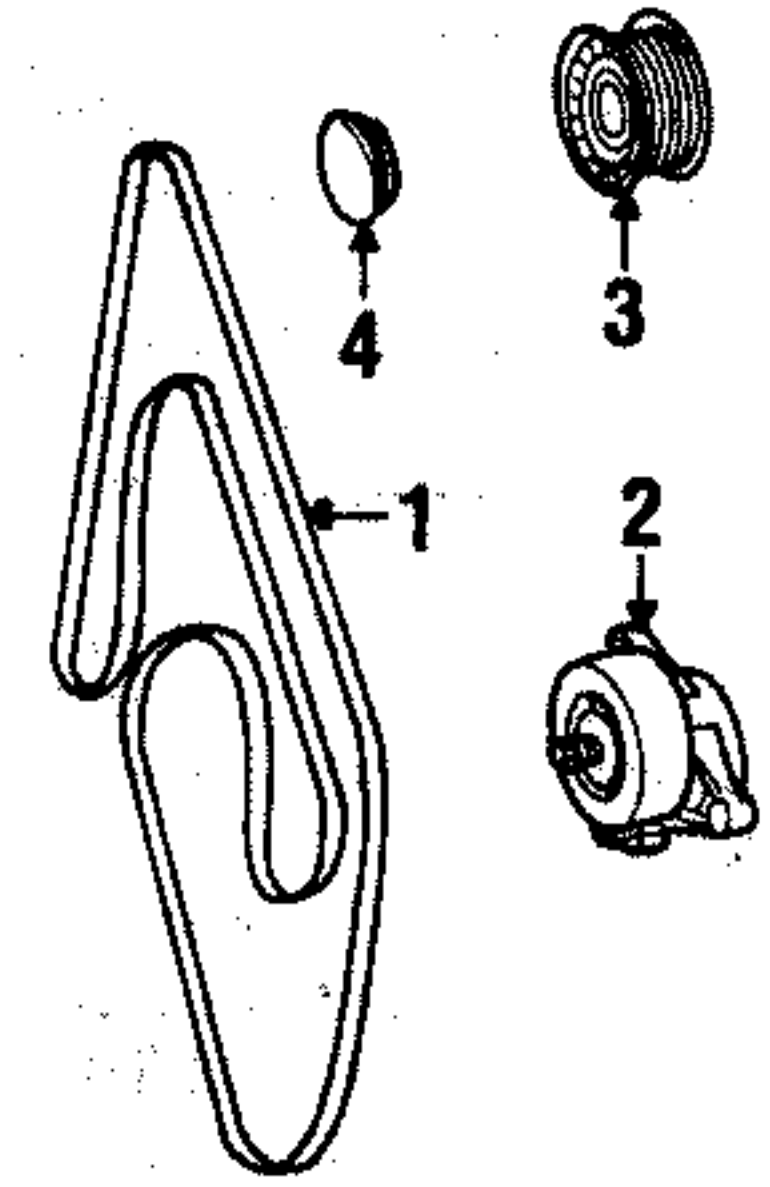
5769542

**COOLING FAN
ELECTRIC**

1	Fan assy	99-01R	148.00#	m 0.8=	001 500 12 93
---	----------	--------	---------	--------	---------------

2	Shroud	99-01L	144.00#	m 0.8=	001 500 13 93
		99-00	84.00#	0.8	202 505 35 55
		00-01	22.00#	0.8	202 505 33 55

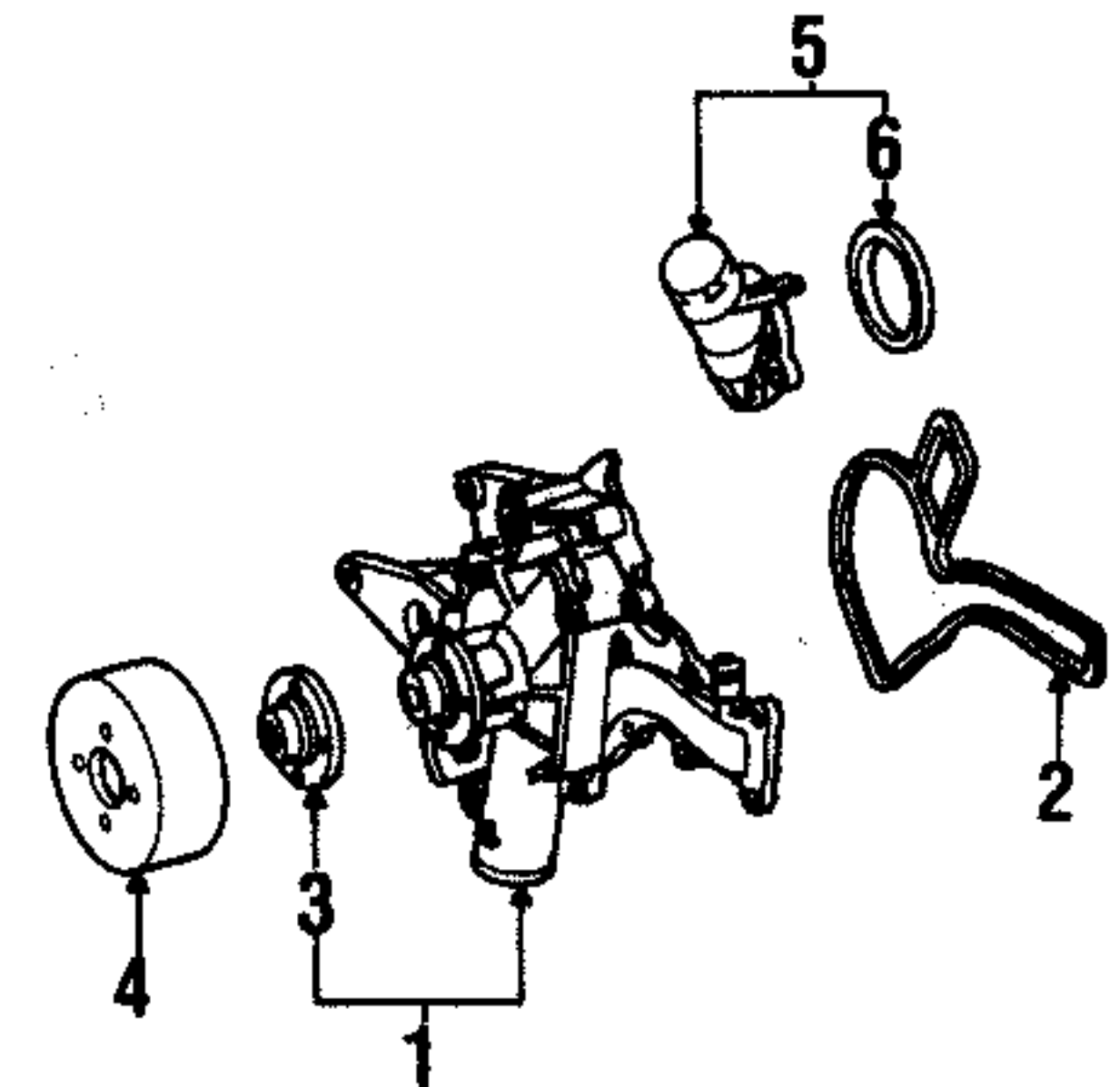
† LABOR: After radiator is removed. Time is for fan and shroud.



5769544

BELTS & PULLEYS

1	Serpentine belt	98-01	33.50	m 1.0	011 997 97 92
2	Belt tensioner	99-01	274.00	m 1.2	112 200 03 70
3	Pulley	99-01	28.50		000 202 00 19
4	cap	99-01	1.00		001 988 57 35



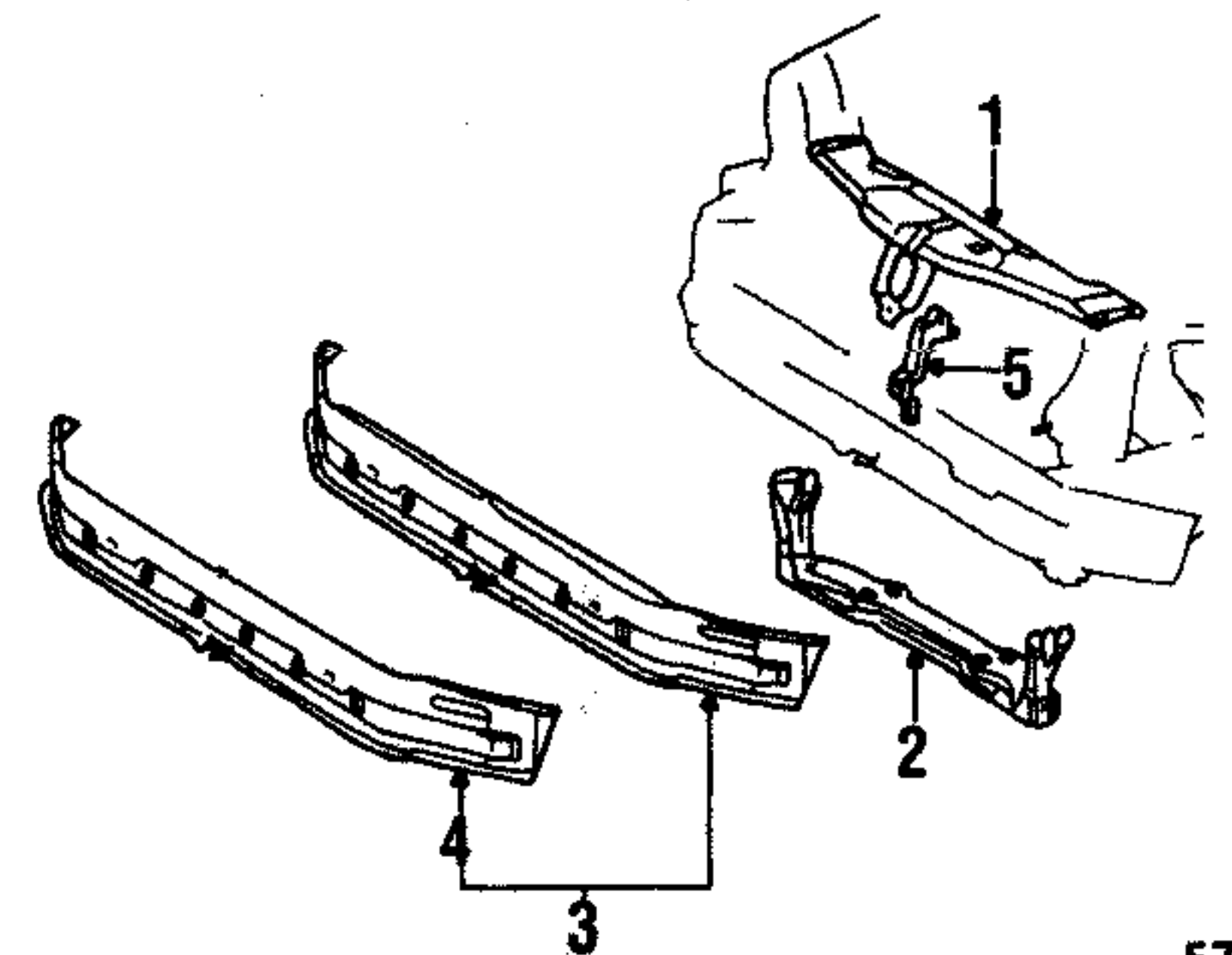
5769546

WATER PUMP

Water pump					
	Federal	99-01	272.00	m 3.0	112 200 14 01
	California	99-01	346.00	m 3.0	112 200 15 01
2	gasket	99-01	4.20		111 201 00 80
3	Flange	99-01	43.50#		112 201 01 39
4	Pulley	99-01	28.50	m 1.1	112 202 01 10
5	Thermostat	99-01	33.50	m 1.5	112 200 00 15
6	gasket	99-01	1.50#		112 203 00 76

PARTS: Part is included with water pump.
† PARTS: Part is included with thermostat.

**COOLING
5.5 LITER**



5769560

REFINISHING NOTES

Refn rad support assy complete 01 p2.5

ADD IF REQUIRED

R&R radiator support aim headlamps 01 0.5
evacuate & recharge 01 m 1.4
refrigerant recovery 01 m 0.4

OVERHAUL OPERATIONS

O/H rad support 01 @ 10.0

PARTS AND R&R OPERATIONS

RADIATOR SUPPORT

1	Upper tie bar . . . (p.7)	01	51.00# s	1.0	208 620 03 72
2	Lower tie bar . . . (p1.0)	01	47.00# s	3.5	208 620 03 86

CONTINUED

COOLING 5.5 LITER (CONT)

3 Crossmember (p1.0)	01	80.00	s	3.0	208 620 05 86
4 cover	01	43.50	†	0.6	208 626 05 30
5 Support brace	01	5.50	†		208 620 00 85

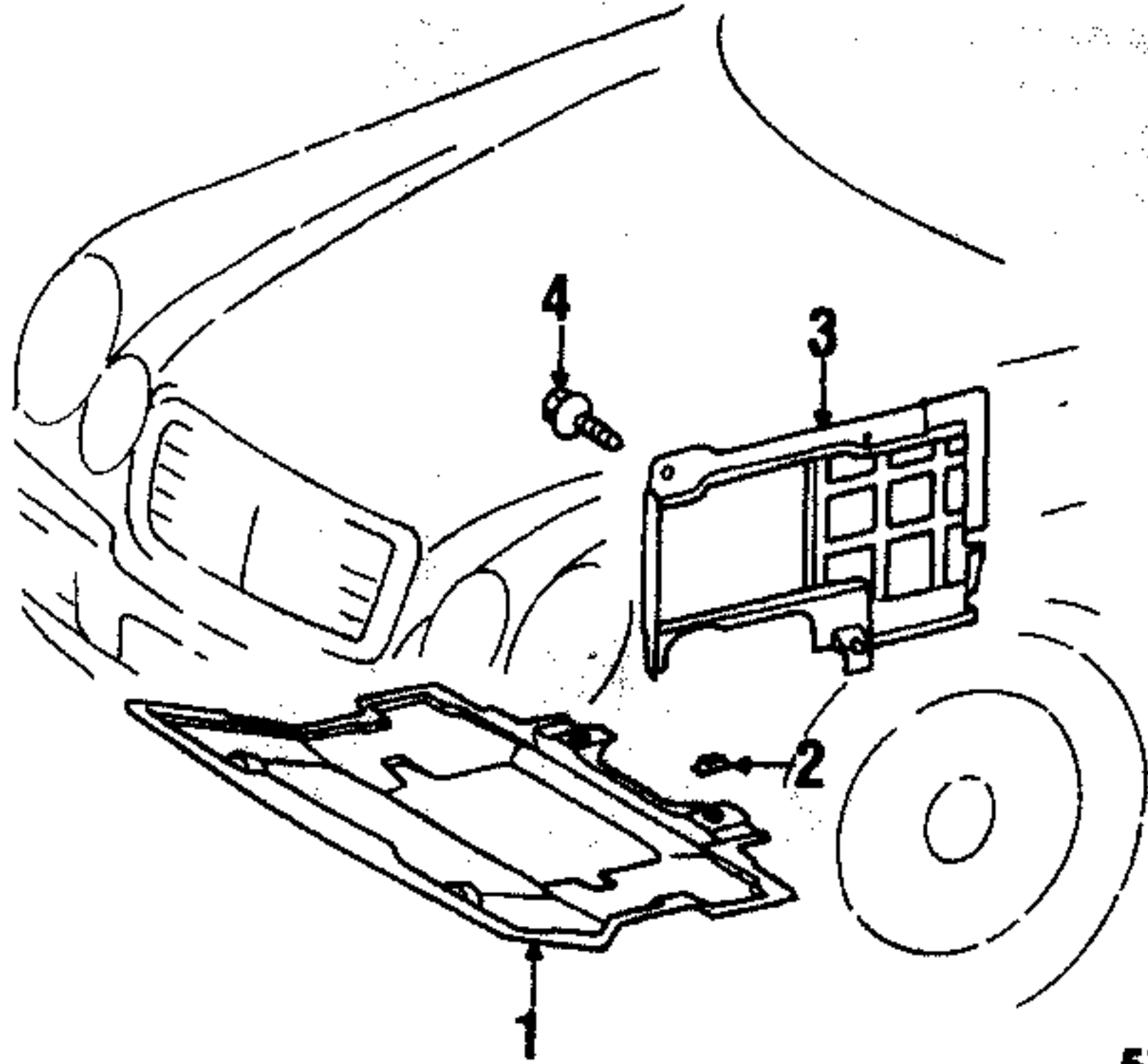
PARTS: Part included in Front inner structure, listed in the FRONT STRUCTURAL COMPONENTS group.
LABOR: After headlamps & all necessary bolted on parts are removed.

† PARTS: Part included in Front inner structure, listed in the FRONT STRUCTURAL COMPONENTS group.
LABOR: After bumper, radiator & all necessary bolted on parts are removed.

‡ PARTS: Part included in Front inner structure, listed in the FRONT STRUCTURAL COMPONENTS group.
LABOR: After bumper, radiator & all necessary bolted on parts are removed.

† PARTS: Part is included with crossmember.

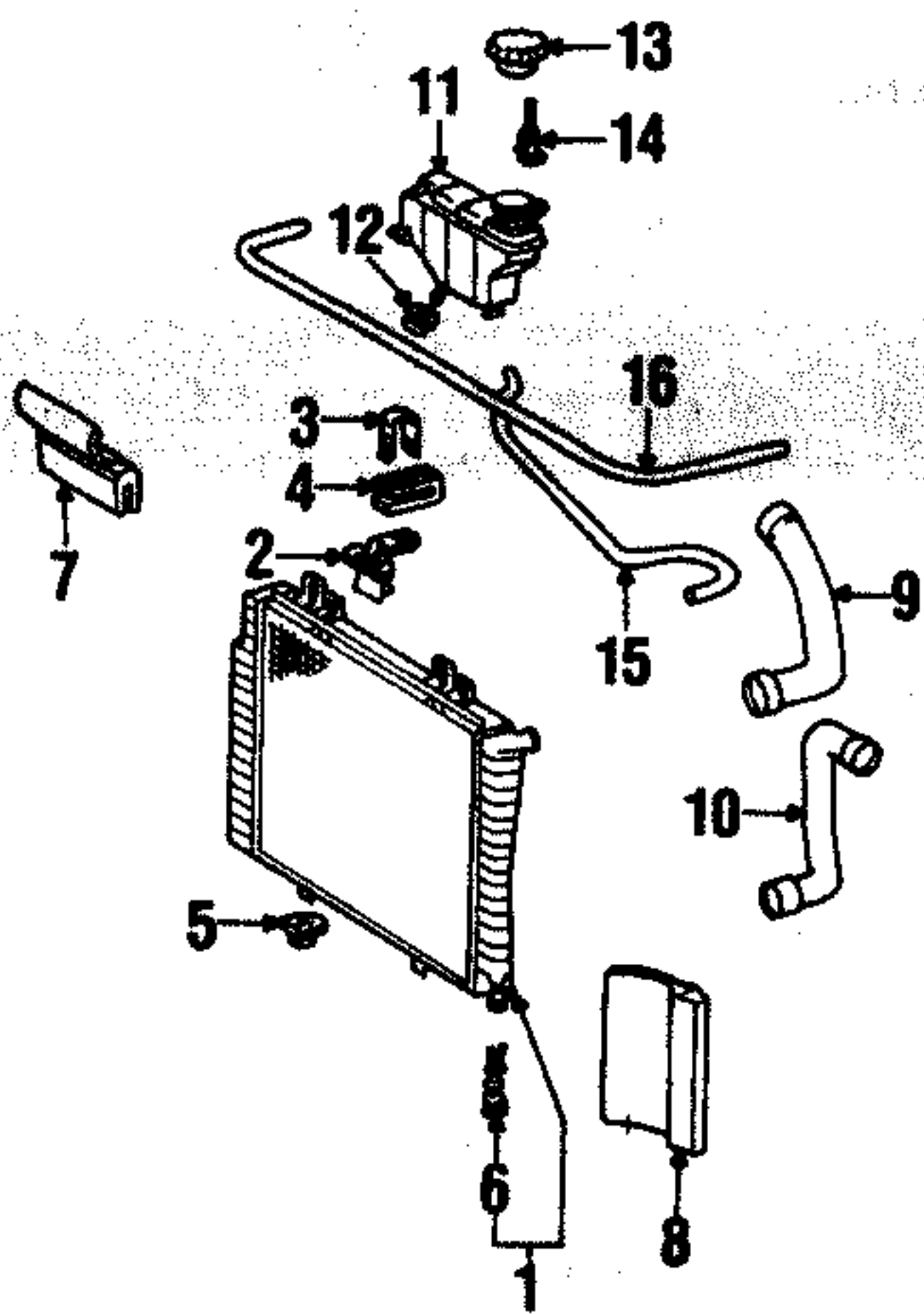
Ⓞ LABOR: Time includes upper tie bar, lower tie bar, crossmember, support brace. R&R/R&I headlamp assemblies, radiator, AC condenser, fan shroud & motor, horns, air duct, and splash shield. Includes D&R hood release cable and front wiring as necessary.



5769565

SPLASH SHIELDS

1 Lower shield	01	47.00		0.5	202 524 13 30
2 retainer	01	.70			001 994 98 45
3 Side shield	01	15.00	R	0.3	202 524 15 30
	01	15.00	L	0.3	202 524 14 30
4 screw	01	1.20	B		201 990 11 36



5769570

RADIATOR & COMPONENTS

OVERLAP OPERATIONS

R&R radiator hose with radiator off

upper	01	m	0.3
lower	01	m	0.4

PARTS AND R&R OPERATIONS

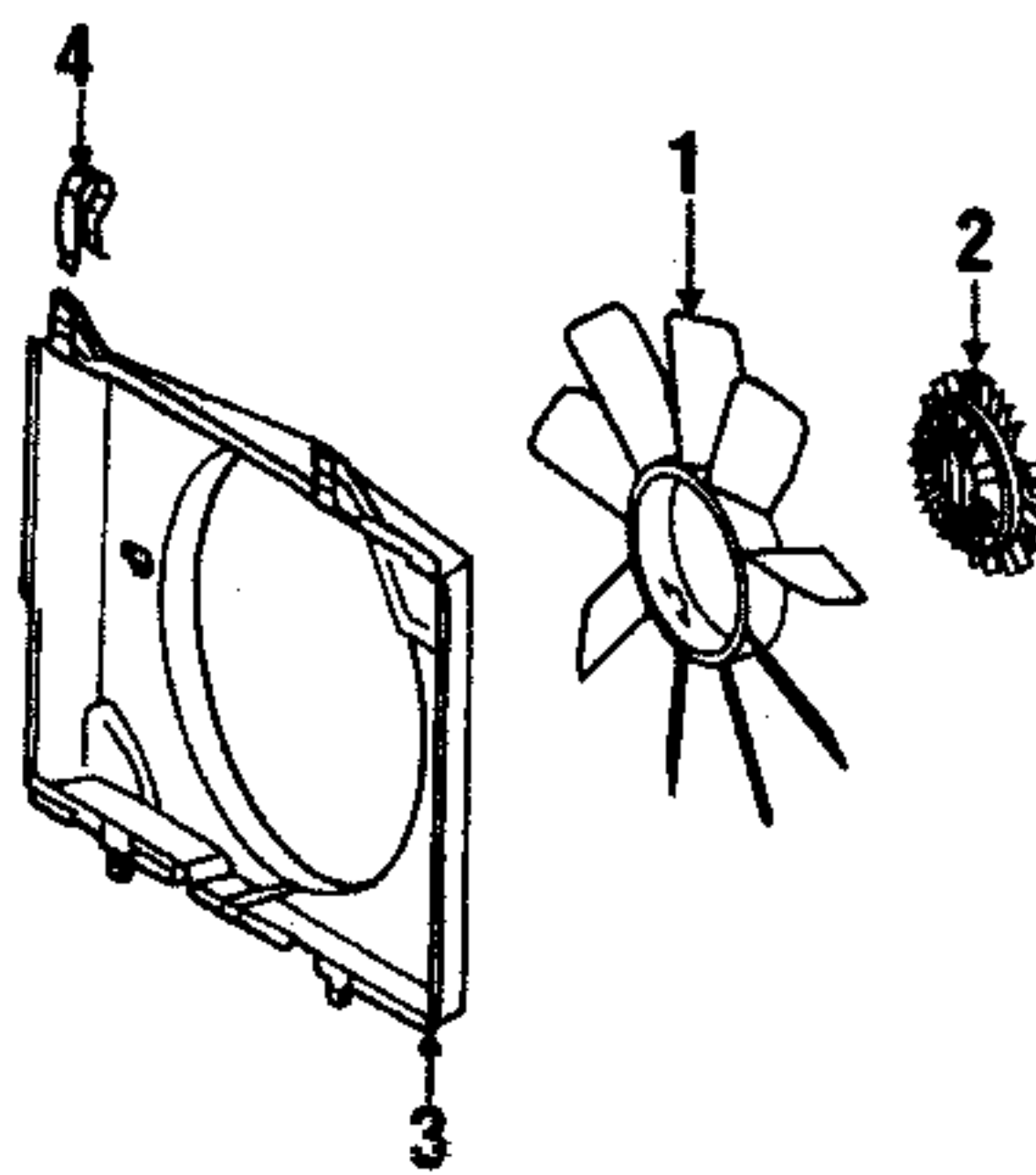
1 Radiator	01	282.00		2.3=	202 500 75 03
2 upper bracket	01	.85			202 505 00 73
3 clamp	01	1.40			202 504 02 46
4 upper insulator	01	.70			202 504 11 12
5 lower insulator	01	1.50			140 504 02 12
6 Drain plug	01	2.20	#		000 500 01 85
Air guide					
7 upper	01	1.90			202 505 01 86
8 lower	01	3.90			202 505 08 86
9 Upper hose	01	80.00	m	0.8	202 501 59 82
10 Lower hose	01	25.00	m	0.9	202 501 60 82
11 Expansion tank	01	43.50		0.5	202 500 06 49
12 Insulator	01	.85			201 504 01 12

13 Cap	01	15.50			210 501 03 15
14 Level sensor	01	21.00			210 545 00 24

Hose

15 tank to radiator	01	27.00		0.4	202 501 53 82
16 tank to engine	01	38.50		0.4	000 000 00 0734

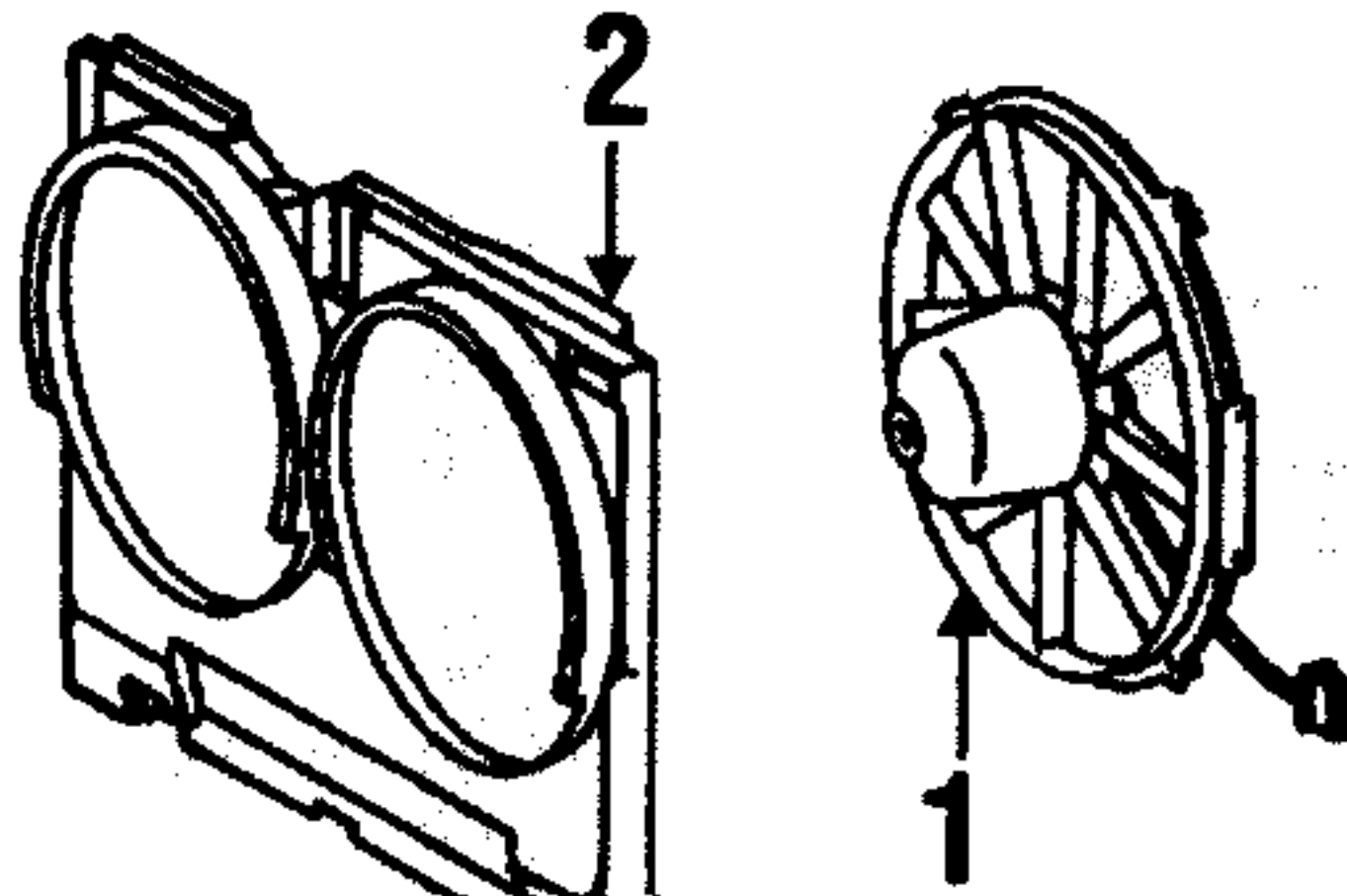
PARTS: Part is included with radiator.



5769575

COOLING FAN CLUTCH DRIVEN

1 Fan assy	01	59.00	m	0.8	113 200 01 23
2 Clutch	01	189.00	m	0.8	112 200 01 22
3 Shroud	01				NOT LISTED
4 clip	01	.85			123 504 02 46

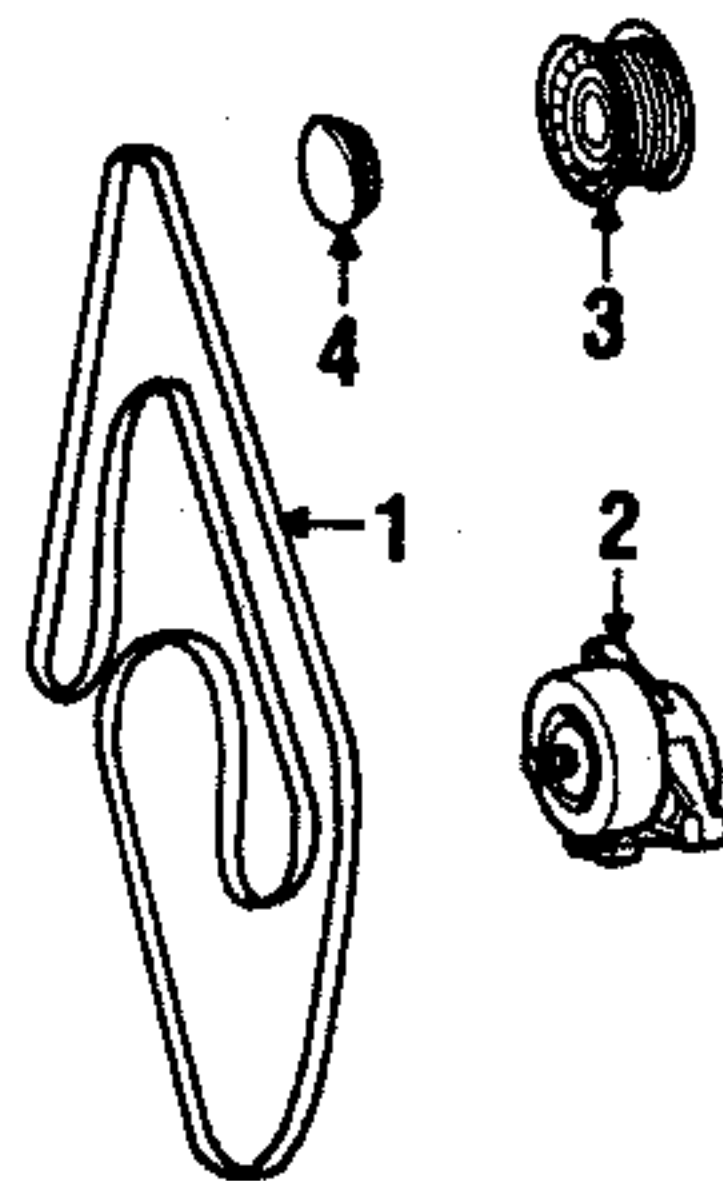


5769580

COOLING FAN ELECTRIC

1 Fan assy	01	R	148.00	†	m	0.5=	001 500 12 93
	01	L	144.00	†	m	0.5=	001 500 13 93
2 Shroud	01		22.00	†	m	0.8	202 505 33 55

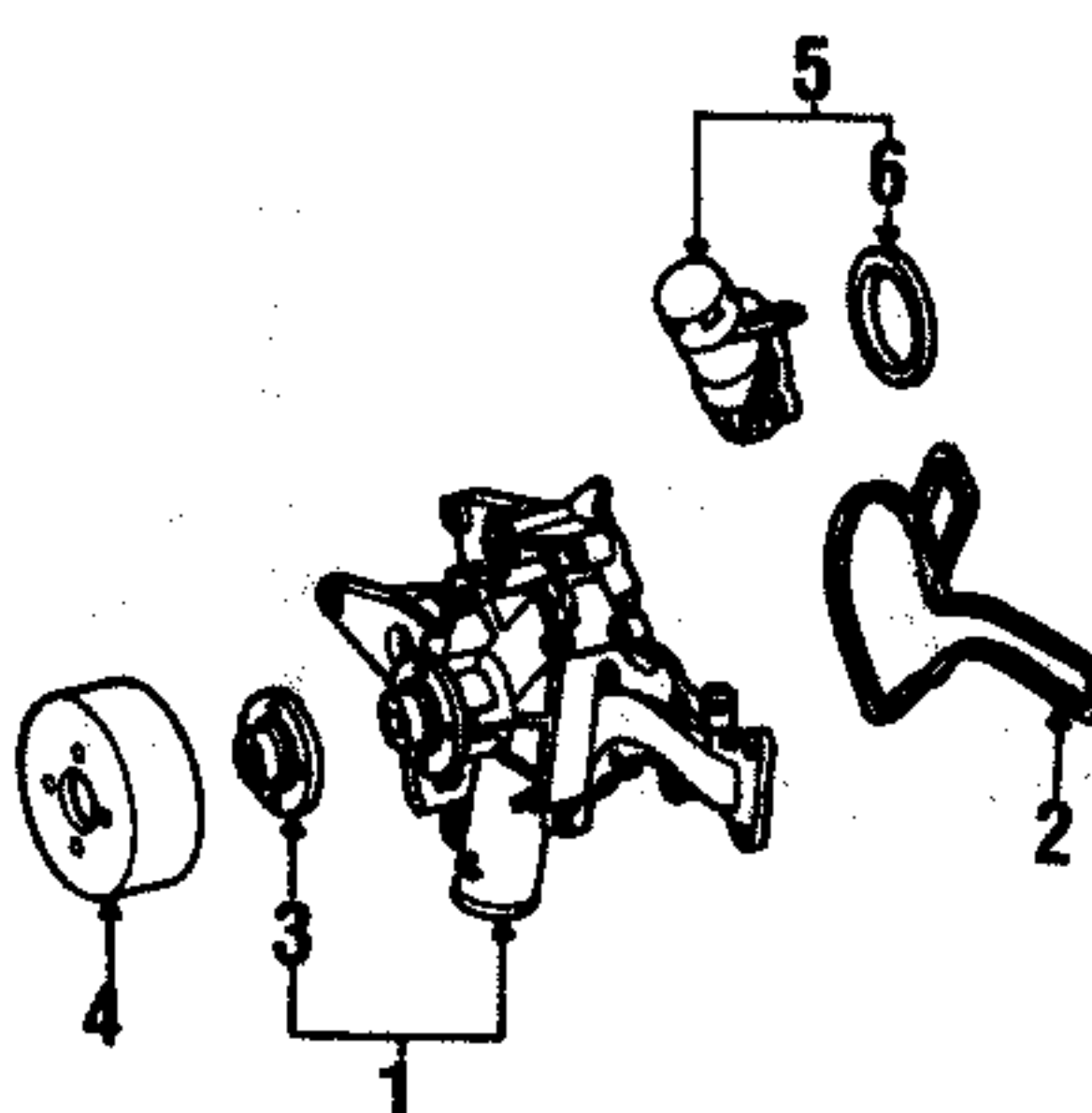
† LABOR: After radiator is removed. Time is for fan and shroud.



5769585

BELTS & PULLEYS

1 Serpentine belt	01	33.50	m	1.0	011 997 97 92
2 Belt tensioner	01	274.00	m	1.2	112 200 03 70
3 Pulley	01	28.50			000 202 00 19
4 cap	01	1.00			001 988 57 35



5769590

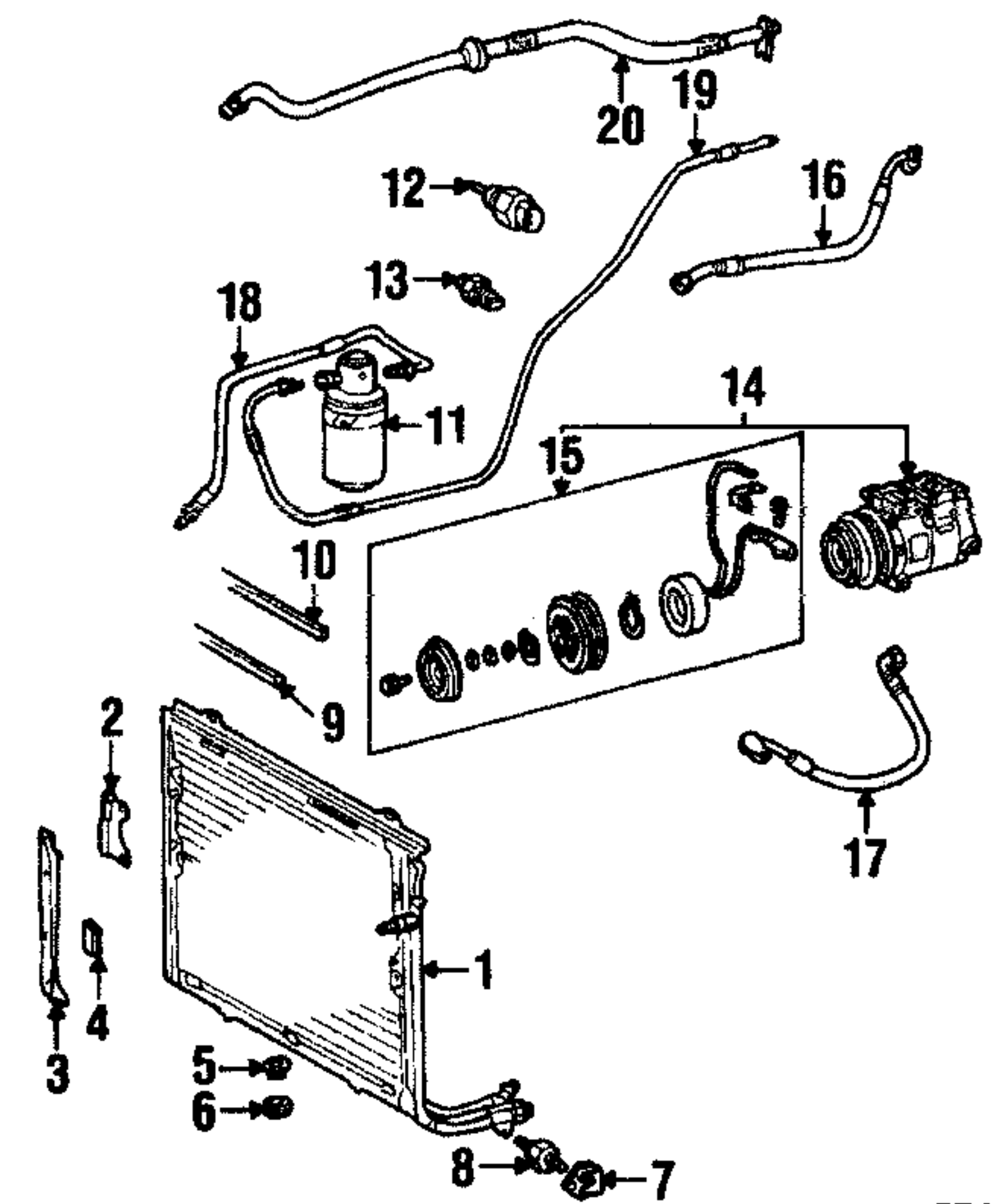
WATER PUMP

1 Water pump	01	272.00	m	3.0	112 200 14 01
--------------	----	--------	---	-----	---------------

2 gasket	01	4.20			111 201 00 80
3 Flange	01	43.50	#		112 201 01 39
4 Pulley	01	28.50	m	1.1	112 202 01 10
5 Thermostat	01	33.50	m	1.5	112 200 00 15
6 gasket	01	1.50	†		112 203 00 76

PARTS: Part is included with water pump.
† PARTS: Part is included with thermostat.

AIR CONDITIONER & HEATER



5769080

SPECIAL CAUTION

This model uses R134 refrigerant in the A/C system. Reported capacities are for estimating purposes only. ALWAYS refer to manufacturer's service manual for recommended repair procedures and system capacity.

REFRIGERANT CAPACITY

R134	98-01	1.9 LBS
------	-------	---------

ADD IF REQUIRED

With any operation requiring a refrigerant line disconnect, add AC service, i.e. evacuate, recharge and test for leaks. Add for refrigerant cost.

AC Service

evacuate & recharge	98-01	m	1.4
refrigerant recovery	98-01	m	0.4

OVERLAP OPERATIONS

R&R compressor with belt off

deduct.	98-01	m	0.5
---------	-------	---	-----

PARTS AND R&R OPERATIONS

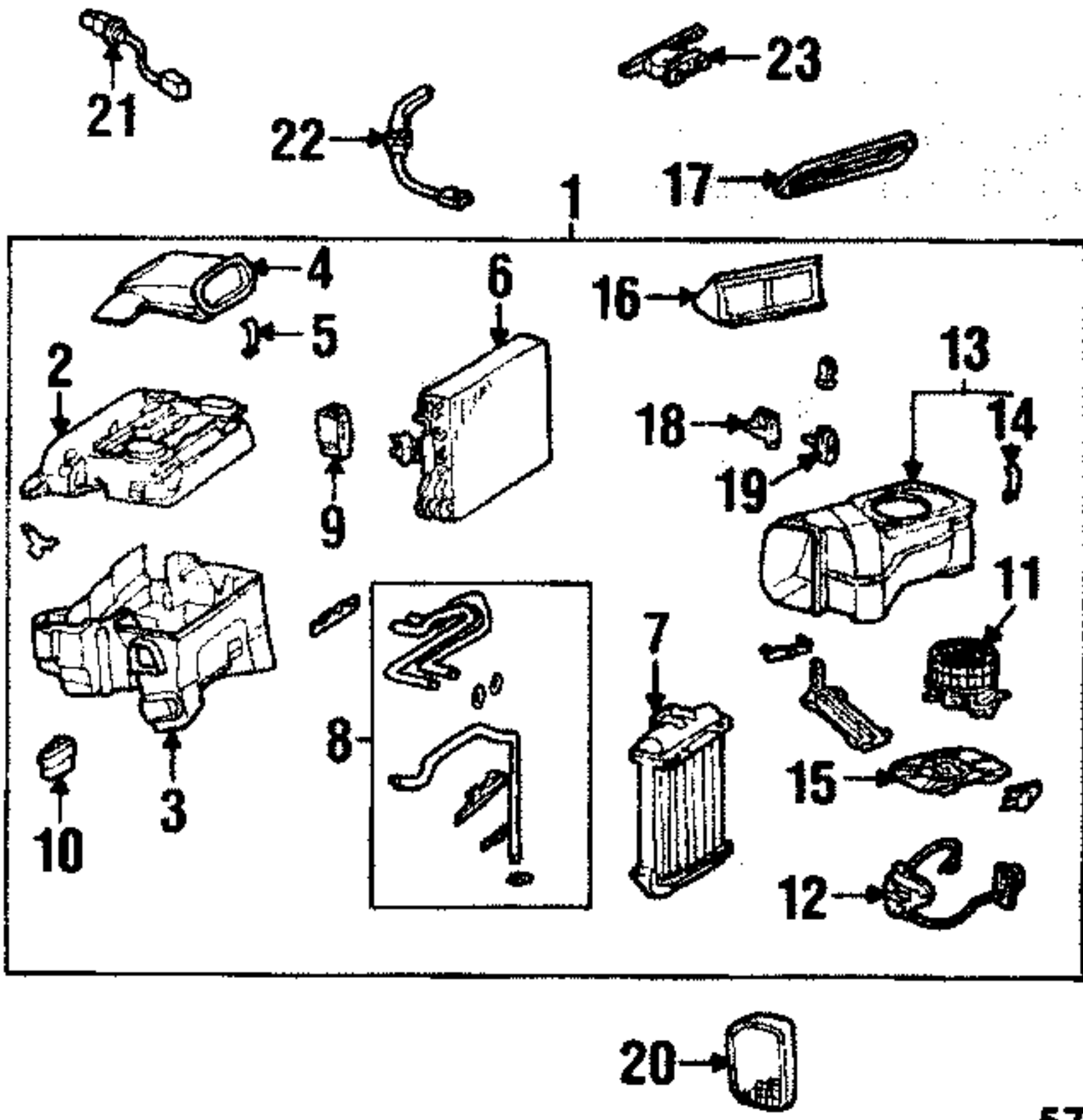
CONDENSER, COMPRESSOR & LINES

1 Condenser assy					
3.2 liter	98-01	430.00	m	2.0	202 830 09 70
4.3 & 5.5 liter	99-01	398.00	m	2.0	202 830 08 70
side bracket					
2 upper	98-01	3.50			202 835 13 14
3 lower	98-01	6.50			202 835 10 14
4 spacer	98-01	1.70			129 835 01 93
5 lower insulator	98-01	1.00			140 992 04 05
6 grommet	98-01	.85			140 997 07 81
7 bracket	98-01	5.50			202 830 05 14
8 buffer	98-01	2.00			124 988 00 11
upper seal					
9 type 1	98-01	2.70	#		140 835 01 98
10 type 2	98-01	2.70	#		202 835 09 98
11 Dehydrator	98-01	122.00	m	0.5	202 830 02 83
12 Pressure switch	98-01	71.00	m	0.2	140 830 00 72
13 Temp sensor	98-01	32.00	m	0.2	210 830 00 72
14 Compressor assy	98-01	1060.00	m	2.5	000 230 20 11
15 Clutch	98-01	790.00	†	m	000 230 21 28
16 Pressure hose	98-99	145.00	m	1.0	113 230 00 56
	00-01	157.00	m	1.0	113 230 14 56
17 Section hose	98-99	137.00	†	m	112 230 02 56
	00-01		†	m	112 230 10 56
Pipe					
18 cond to dehydrator	98-01	52.00	m	0.9	202 830 49 15
19 dehyd to evaporator	98-01	92.00	m	2.5	202 830 33 15
20 comp to evaporator	98-99	360.00	m	1.5	202 830 24 15
	00-01	135.00	m	1.5	202 830 47 15

PARTS: Seal must be cut to fit.

† PARTS: Order by description.

‡ PARTS: Part is included in compressor assembly.
LABOR: Includes R&I compressor.



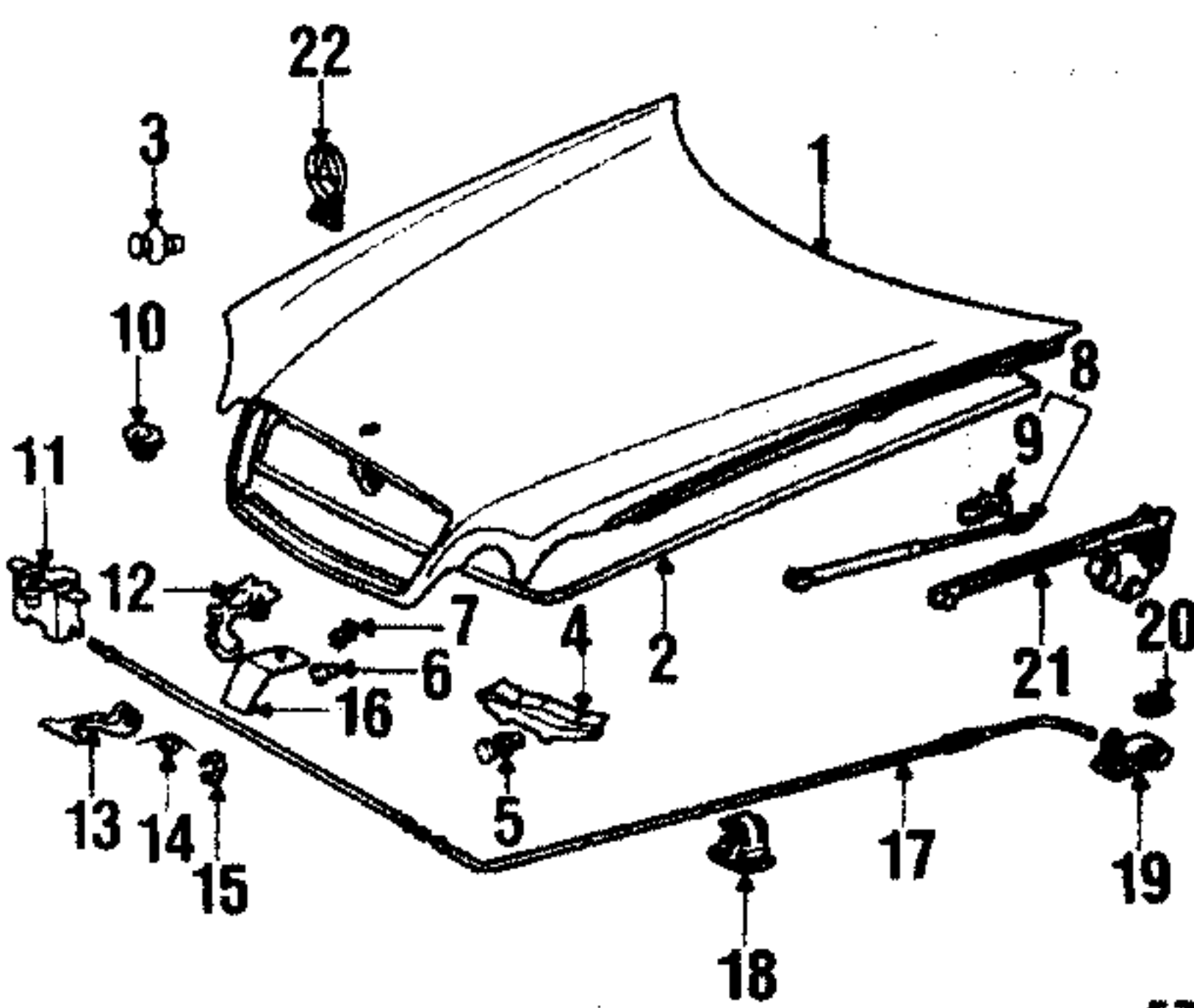
5769085

EVAPORATOR & HEATER COMPONENTS

1 AC & heater assy	98-01	1790.00	m 13.0	208 830 00 62
Case				
2 upper	98-01	187.00#		208 830 02 03
3 lower	98-01	99.00#		208 830 00 03
4 Center duct	98-01	38.50#		202 830 10 03
5 clip	98-01	.70#		201 835 01 34
6 Evaporator core	98-01	855.00#	m 0.7	202 830 07 58
7 Heater core	98-01	139.00#	m 0.5	210 830 06 61
8 Pipe kit	98-01	115.00#		001 830 93 15
9 Expansion valve	98-01	119.00#		202 830 01 84
10 Door actuator				
air scoop	98-01	43.50#		202 800 06 75
tempering	98-01R	43.50#		202 800 07 75
	98-01L	25.00#		202 800 15 75
legroom	98-01	47.00#		202 800 02 75
11 Blower motor	98-01	286.00#	m 0.7	202 820 93 42
12 Regulator	98-01	182.00#		210 820 62 10
13 Blower case	98-01	142.00#		202 830 51 03
14 clip	98-01	.70#		201 835 01 34
15 Lower cover	98-01	25.00#		202 835 10 40
16 Upper housing	98-01	#		202 830 46 03
17 seal	98-01	5.25		202 835 02 98
18 Control assy	98-01	23.50#		202 800 13 76
19 Actuator	98-01	40.00#		202 800 19 75
20 Filter	98-01	47.50		210 830 08 18
Temp sensor				
21 air intake	98-01	18.50		126 830 15 72
22 evaporator	98-01	56.00		210 830 05 72
23 heater core	98-01	11.00		210 830 04 72

PARTS: Part is included in AC & heater assembly.
 ¶ PARTS: Part is included with blower case.
 † PARTS: Part is included in AC & heater assembly.
 LABOR: After A/C & heater assembly is removed.

HOOD & GRILLE



5769090

REFINISHING NOTES

Refn hood underside	98-01	p1.5
R&I OPERATIONS		
R&I hood assy	98-01	1.5

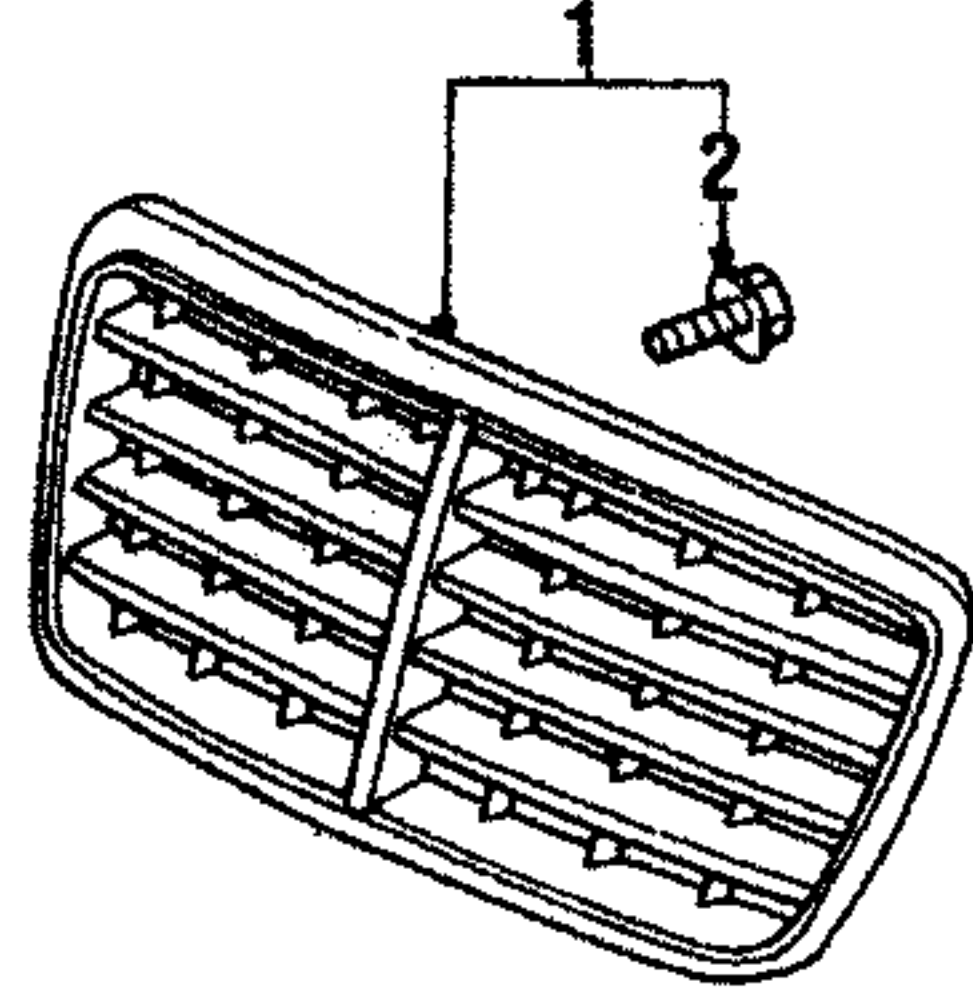
PARTS AND R&R OPERATIONS

HOOD & COMPONENTS

1 Hood	(p3.0) 98-01	382.00	2.5	208 880 02 57
2 Insulator	98-01	52.00	0.3	208 682 00 26
3 retainer	98-01	.70		000 990 78 92
4 Front seal	98-01R		0.3	202 887 02 98
	98-01L	3.90	0.3	202 887 01 98
5 plug	98-01B	8.00		002 997 33 86
6 Hood bumper	98-01	1.50	0.1	140 988 03 11
7 Cushion	98-01	.70		210 887 00 93
8 Support cylinder	98-01B	33.50	0.3	208 880 00 29

9 clip	98-01B	1.20#		006 988 49 78
Lock				
10 upper	98-01	14.00	0.3	210 880 10 60
	00-01	14.00	0.3	210 880 10 60
11 lower	98-01	12.50	0.3	210 880 09 60
12 Safety catch	98-01	20.00	0.3	202 880 04 64
13 Handle	98-01	2.70		208 887 01 27
14 spring	98-01	.70		202 887 07 79
15 retainer	98-01	.70		912 001 00 8000
16 Deflector	98-01	1.50		202 887 02 45
17 Release cable	98-01	10.50	1.5	202 880 00 59
18 clamp	98-01	.70		000 995 01 48
19 Handle	98-01	8.75		124 880 03 20
20 clip	98-01	.50		002 994 11 45
21 Hinge	(p.3) 98-99R	39.50#	0.3	208 880 02 28
	(p.3) 98-99L	43.50#	0.3	208 880 01 28
	(p.3) 00-01R	43.50#	0.3	208 880 04 28
	(p.3) 00-01L	43.50#	0.3	208 880 01 28
22 Hood ornament	98-01	29.00	0.2	202 880 01 86

LABOR: Time is after hood is removed.
 ¶ PARTS: Part is included with support cylinder.



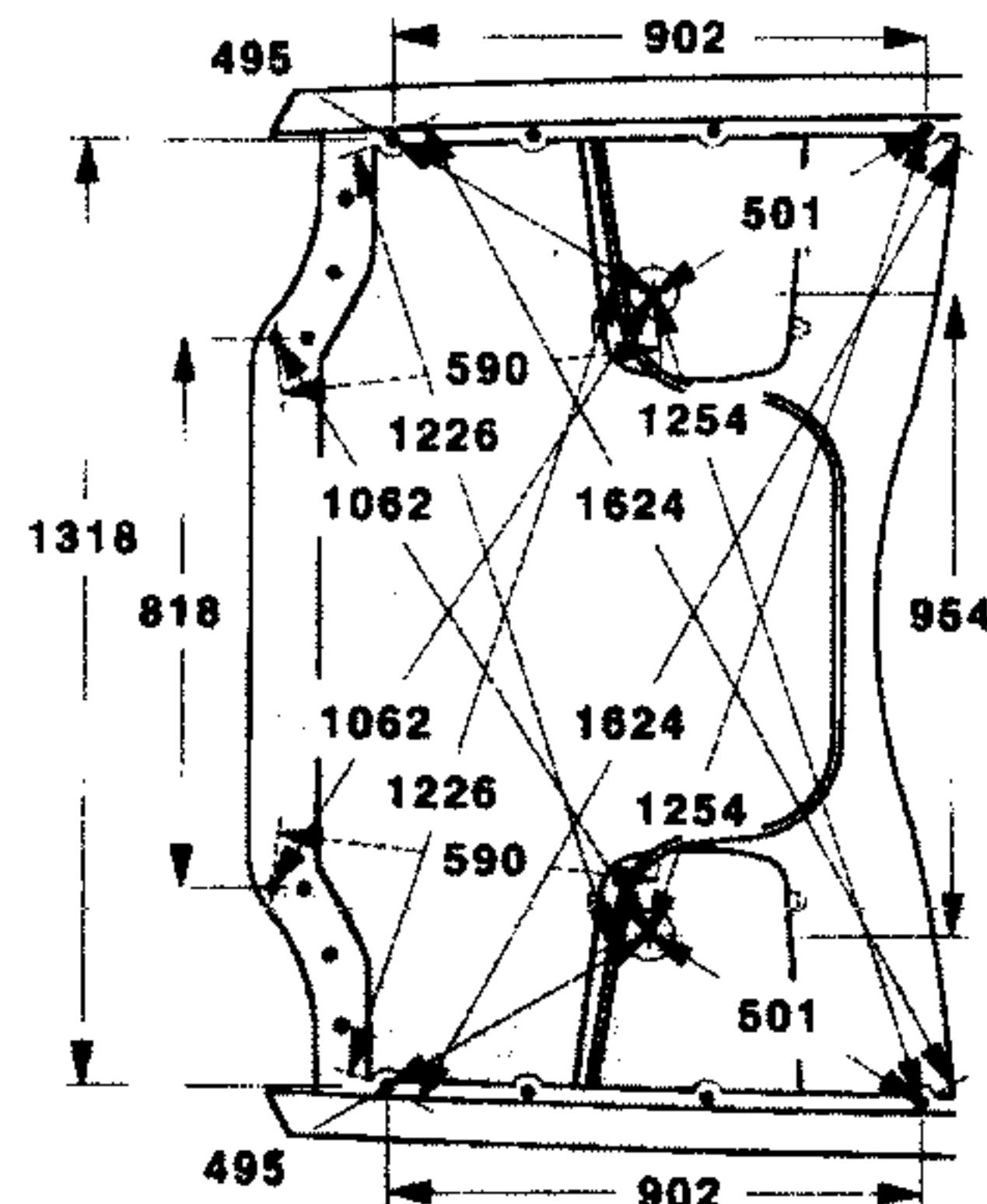
5769095

GRILLE & COMPONENTS

1 Grille assy	98-01	170.00	0.4	208 880 00 85
2 bolt	98-01	.70#		914 031 00 5208

PARTS: Part is included in grille assembly.

UNDERHOOD DIAGRAM



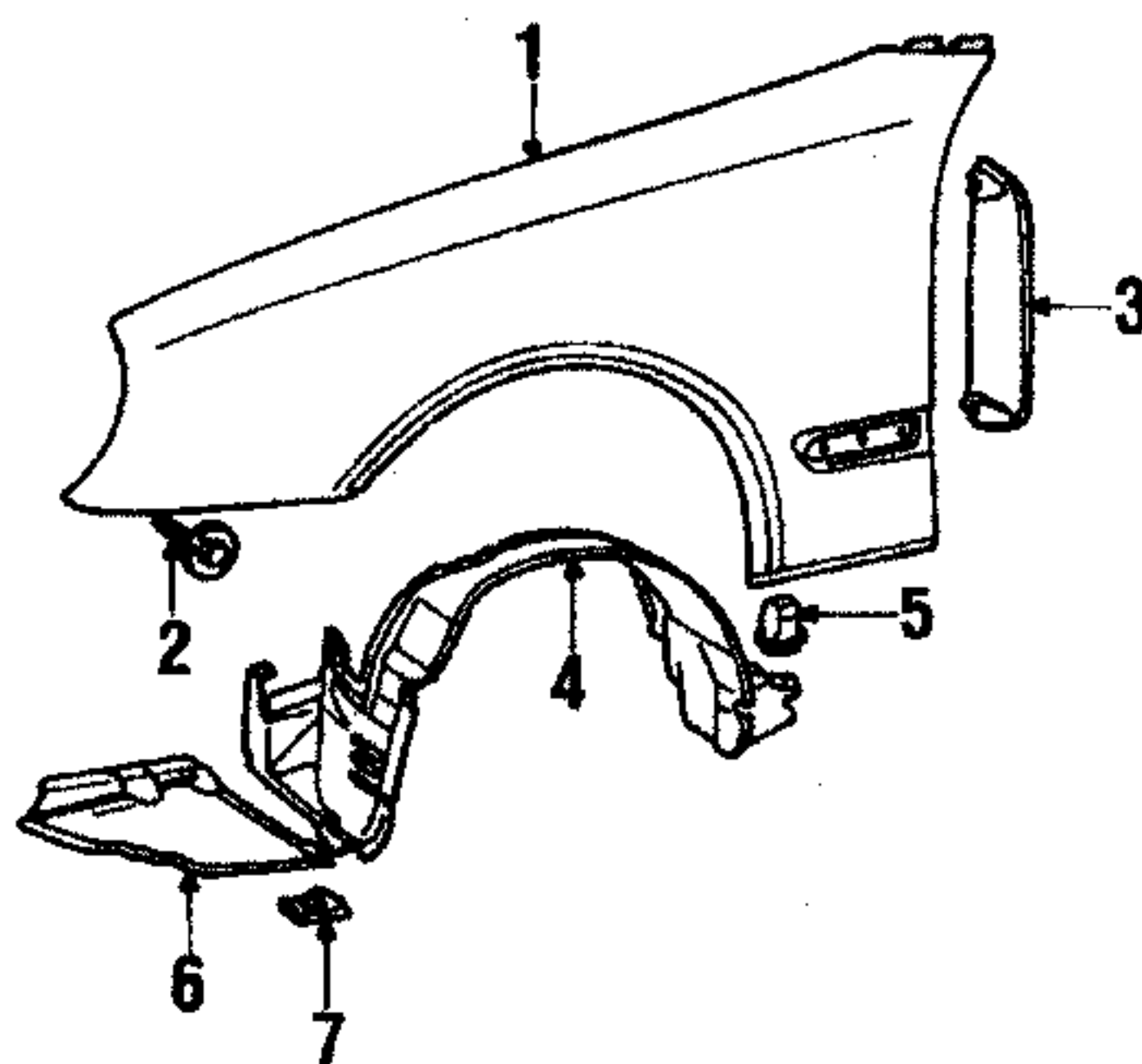
ZE11745

UNDERHOOD DIAGRAM

1998-01 CLK 320
 1999-01 CLK 430

Refer to MOTOR "COLLISION REPAIR DATA" manual for complete vehicle dimensions. All dimensions provided are in millimeters.

FENDER



5769100

REFINISHING NOTES

Add for stone guard if required. See Guide To Estimating.
 Refn fender edges 98-01 p.5

R&I OPERATIONS

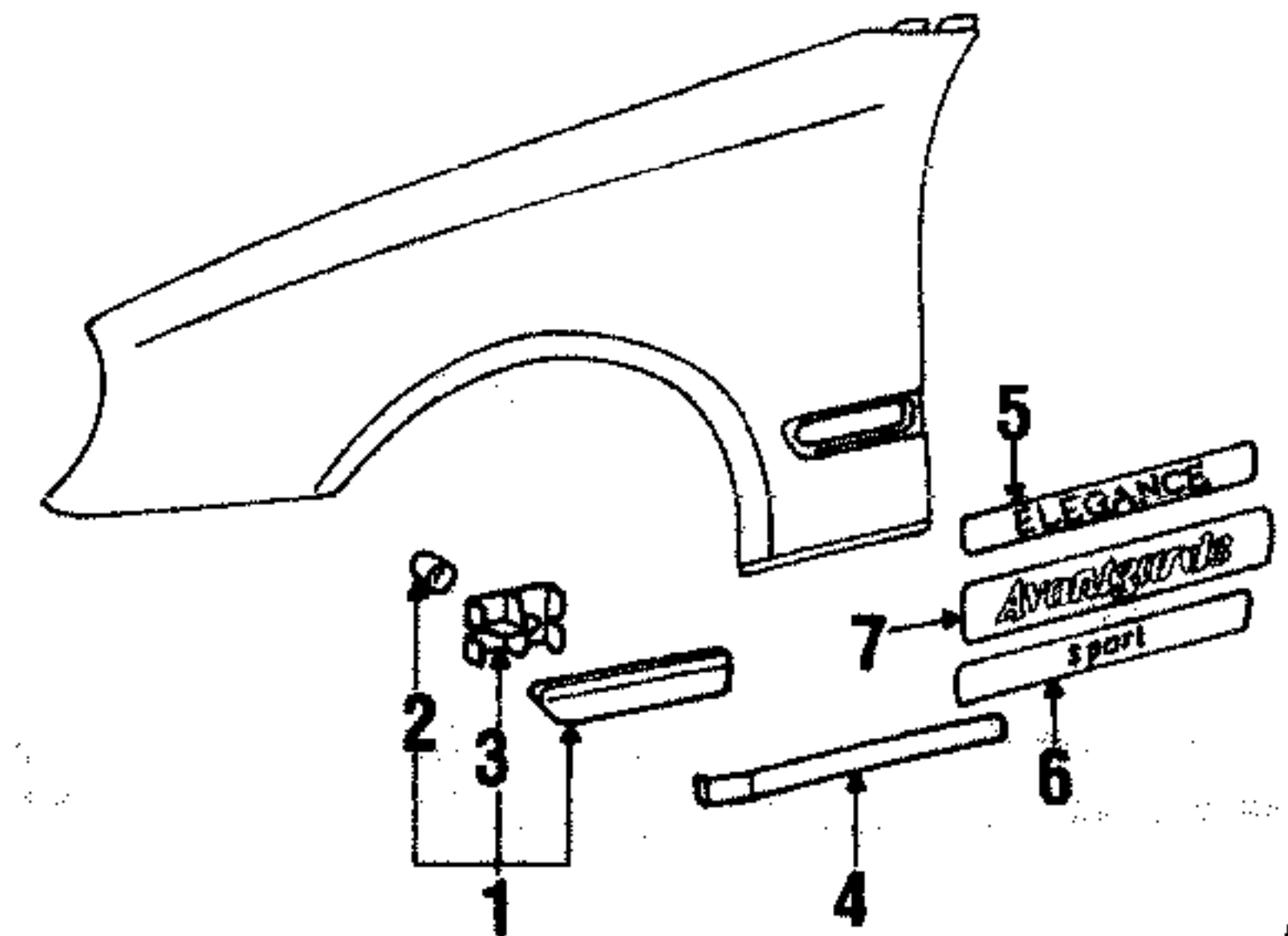
R&I fender assy	98-01	#	3.5
-----------------	-------	---	-----

PARTS AND R&R OPERATIONS

FENDER & COMPONENTS

1 Fender	(p2.0) 98-99R	240.00#	4.0	208 880 02 18
	(p2.0) 98-99L	240.00#	4.0	208 880 01 18
	(p2.0) 00-01R	230.00#	4.0	208 880 04 18
	(p2.0) 00-01L	230.00#	4.0	208 880 03 18
2 bolt	98-01B	.70		201 990 09 36
3 Rear seal	98-01R	4.00		208 698 06 98
	98-01L	4.00		208 698 05 98
4 Fender liner	98-99R	20.00	0.7	208 698 06 30
	98-99L	20.00	0.7	208 698 05 30
coupe				
CLK320 & CLK420	00-01R	20.00	0.7	208 698 54 30
	00-01L	20.00	0.7	208 698 53 30
CLK55 AMG	01 R		0.7	NOT LISTED
	01 L		0.7	NOT LISTED
convertible				
3.2 liter	00-01R	45.00	0.7	208 690 18 30
	00-01L	45.00	0.7	208 690 17 30
4.3 liter	00-01R	45.00	0.7	208 690 12 30
	00-01L	45.00	0.7	208 690 11 30
5 retainer	98-01B	1.00		673 988 00 25
6 Front cover	98-99R	6.00	0.2	208 698 04 30
	98-99L	6.00	0.2	208 698 03 30
	00-01R	6.25	0.2	208 698 58 30
	00-01L	6.25	0.2	208 698 57 30
7 nut	98-01B	.20		002 994 81 45

LABOR: Time includes bumper assembly R&I. Time includes R&R/R&I headlamp assembly and fender liner.



5769105

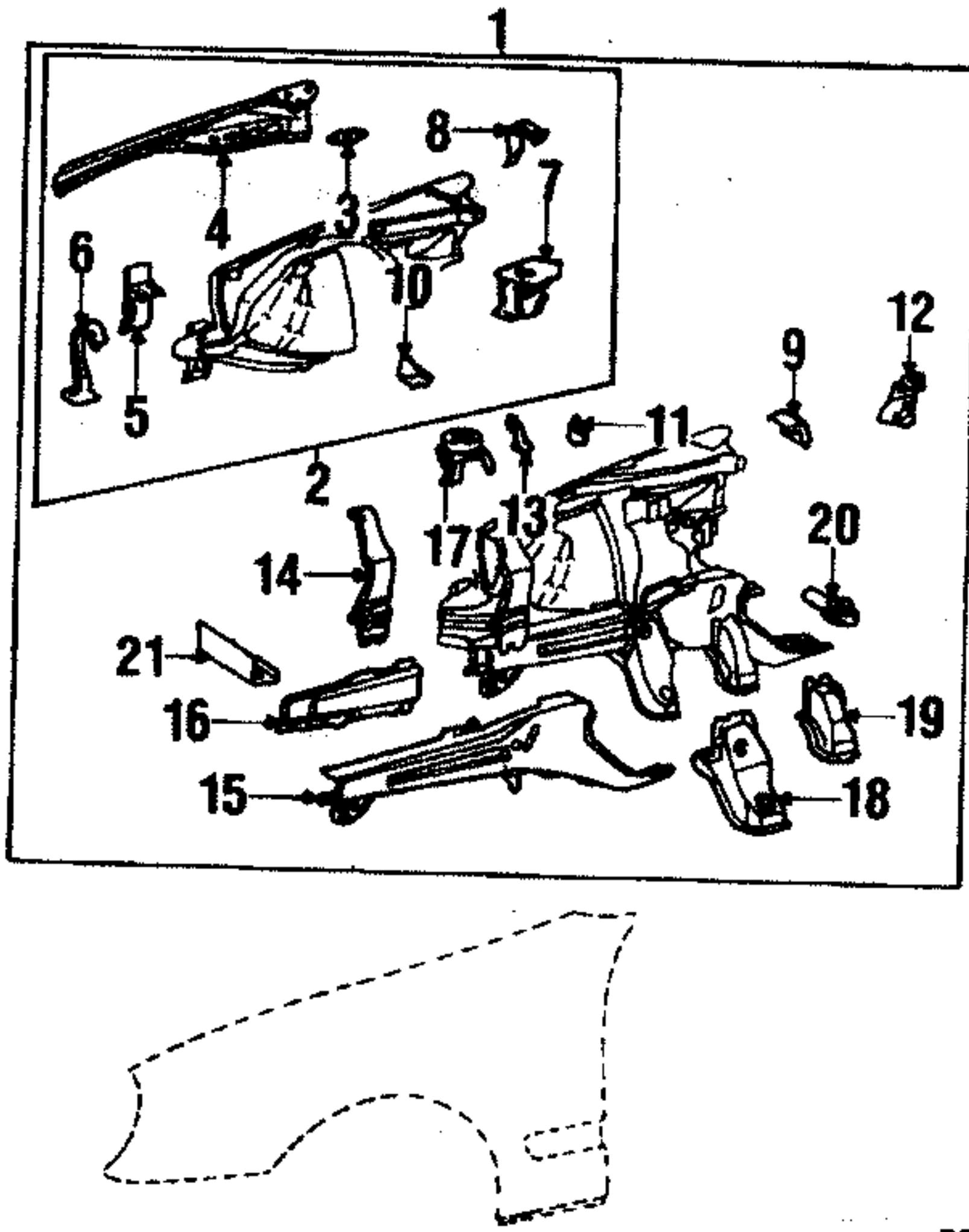
EXTERIOR TRIM

1 Body side midg				
gray	(p.3) 98-99R	35.50#	0.3	208 690 02 627700
	(p.3) 98-99L	35.50#	0.3	208 690 01 627700
black	(p.3) 00-01R	35.50#	0.3	208 690 02 629040
	(p.3) 00-01L	35.50#	0.3	208 690 01 629040
blue	(p.3) 98-99R	35.50#	0.3	208 690 02 625205
	(p.3) 98-99L	35.50#	0.3	208 690 01 625205
	(p.3) 00-01R	35.50#	0.3	208 690 02 625935
	(p.3) 00-01L	35.50#	0.3	208 690 01 625935
red	(p.3) 98-99R	35.50#	0.3	208 690 02 623549
	(p.3) 98-99L	35.50#	0.3	208 690 01 623549
	(p.3) 00-01R	#	0.3	208 690 02 623572
	(p.3) 00-01L	#	0.3	208 690 01 623572
2 retainer	98-01B	.50#		001 988 76 81
3 clip	98-01B	.85#		001 988 80 81
4 Lower molding	98-01R	23.50	0.3=	208 690 08 62
	98-01L	23.50	0.3=	208 690 07 62
Emblem				
3.2 liter				
"ELEGANCE"	98-01B	16.00	0.2	210 817 15 20
4.3 liter				
"SPORT"	99 B	15.00	0.2	202 817 54 20
"AVANTGARDE"	00-01B	16.50	0.2	210 817 16 20

PARTS: Order by color and description. LABOR: Refinish time is provided for those instances when required color is not available or for some repair situations.

¶ PARTS: Part is included with lower molding.

CONTINUED



5769110

FINDER (CONT)

STRUCTURAL COMPONENTS & RAILS

OVERLAP OPERATIONS

R&R apron assy
with rad support off

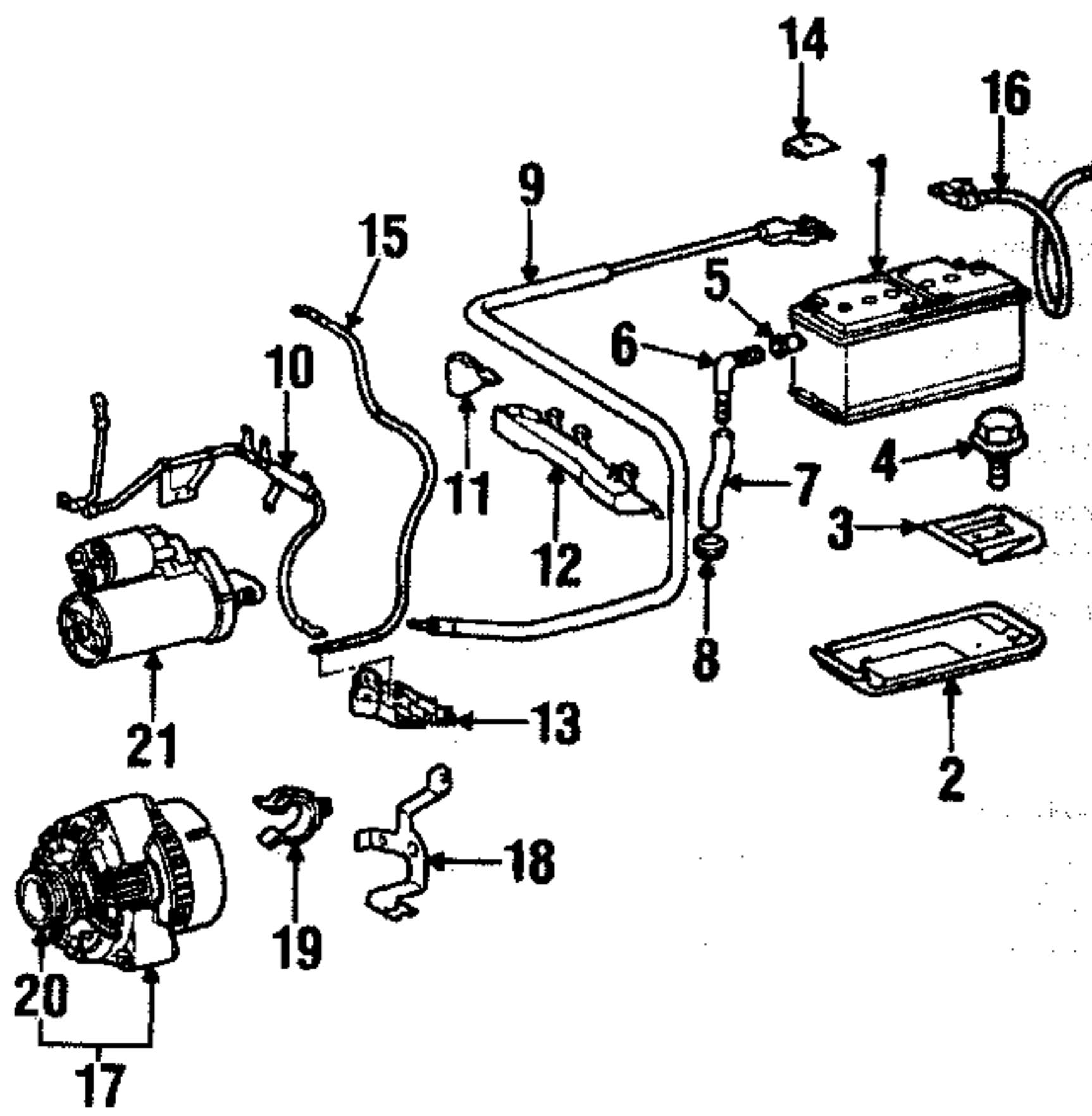
deduct..... 98-01 s 1.0

PARTS AND R&R OPERATIONS

1 Apron/rail assy	(p2.0) 98-01R	1630.00	s	13.5	208 620 24 61
	(p2.0) 98-01L	1210.00	s	13.5	208 620 23 61
2 Apron assy	(p1.3) 98-01R	208.00	#	7.5	208 620 22 61
	(p1.3) 98-01L	208.00	#	7.5	208 620 21 61
3 Plate	98-01B	.70	‡		129 626 00 11
4 Upper rail	(p.7) 98-01R	11.50	‡	3.0	208 626 02 16
	(p.7) 98-01L	11.50	‡	3.0	208 626 01 16
5 Bumper bracket	98-01B	6.00	‡	1.0	208 620 01 14
6 Front reinf	98-01R	18.50	‡	1.5	208 620 06 72
	98-01L	18.50	‡	1.5	208 620 05 72
Mount bracket					
7 ABS unit washer tank	98-01	6.50	‡		202 626 88 14
8 #1	98-01	1.90	‡		202 626 41 14
9 #2	98-01	4.80	#		202 620 40 14
10 air cleaner	98-01	1.20	‡		202 626 39 14
11 coolant tank	98-01	2.20	‡		202 620 17 14
12 fuel cooler	98-01	5.25	#		202 620 66 14
13 brake hose	98-01R	3.20	#		210 626 46 14
	98-01L	3.20	#		210 626 45 14
14 Reinforcement					
lamp unit	98-01R	35.50	#		208 620 08 72
	98-01L	35.50	#		208 620 07 72
15 Lower rail					
	98-01R	106.00	#	8.0	208 620 12 34
	98-01L	106.00	#	8.0	208 620 11 34
16 cover					
	98-01R	13.50	#	2.0	208 626 04 30
	98-01L	13.50	#	2.0	208 626 03 30
17 Support brace					
spring	98-01R	9.75	#		202 626 02 19
	98-01L	11.00	#		202 626 01 19
Susp support					
18 front	98-01R	91.00	#	3.0	202 620 64 31
	98-01L	91.00	#	3.0	202 620 63 31
19 rear	98-01R	39.50	#	3.0	202 620 38 31
	98-01L	39.50	#	3.0	202 620 37 31
20 mount					
	98-01	22.00	#		202 626 01 20
Reinf bracket					
diagonal strut axle carrier					
21 convertible	99-01	6.00			208 626 18 16
Susp support					
vibration absorber right					
convertible	99-01	160.00			208 620 00 82

PARTS: Part is included in apron/rail assembly. Included in Front inner structure, listed in the FRONT STRUCTURAL COMPONENTS group.
 ¶ PARTS: Part included in Front inner structure, listed in the FRONT STRUCTURAL COMPONENTS group.
 ‡ PARTS: Part is included in apron assembly.

ELECTRICAL

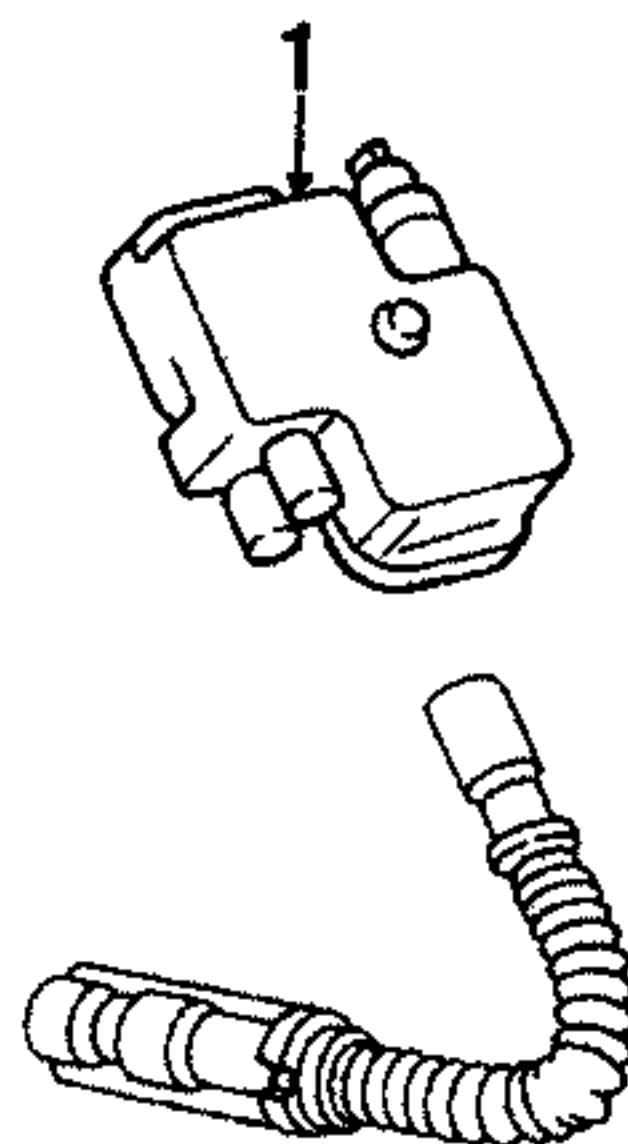


5769115

PARTS AND R&R OPERATIONS

BATTERY					
1 Battery	98-99	224.00	m	0.5	004 541 43 01
	00-01	109.00	m	0.5	004 541 03 01
2 Battery tray	98-01	#			SEE FOOTNOTE
3 Hold down	98-01	5.25			129 895 01 70
4 bolt	98-01				914 126 00 8079
5 Vent	98-01	.50			002 997 24 86
6 joint	98-01	.85			000 990 38 72
7 Hose	98-01	3.90	¶		024 997 49 82
8 grommet	98-01	.50			000 997 31 81
Positive cable					
9 battery to connector	98	110.00	m	1.5	202 540 06 30
coupe	99-01	145.00	m	1.5	202 540 21 30
convertible	99	139.00	m	1.5	208 540 45 05
00-01		128.00	m	1.5	208 540 91 07
10 connector to starter					
3.2 liter	98-01	122.00			208 540 00 30
4.3 liter	99-01	135.00			208 540 02 30
11 bracket					
coupe	98-01	0.70			210 546 19 43
convertible	99	.70			210 546 19 43
00-01		27.00			208 540 03 73
12 guide					
3.2 liter	98-01	8.75			202 546 02 80
13 connector					
3.2 liter	98-01				000 540 17 69
4.3 & 5.5 liter	99-01	25.00			208 540 00 69
14 cover	98	.70			000 546 23 35
99-01		1.00			001 546 08 35
15 Cable					
power supply	98-99	67.00			202 540 76 35
00-01		72.00			202 540 99 07
16 Negative cable	98-01	12.00	m	0.4	202 540 02 31
ALTERNATOR					
17 Alternator					
115A	98-01	925.00	m	1.0	010 154 32 02
150 amp	98-01	1220.00	m	1.0	011 154 32 02
18 mount bracket	98-01	1.90			112 203 01 40
19 brace	98-99	1.00			126 501 00 20
00-01		1.20			220 832 03 14
20 Pulley	98-01	26.00	m	0.5	119 155 02 15
STARTER					
21 Starter	98-01	434.00	m	1.6	112 151 00 01

PARTS: Part is listed in the REAR BODY & FLOOR group.
 ¶ PARTS: Listing is for bulk hose. Cut to fit.
 ‡ PARTS: Part is included with alternator.



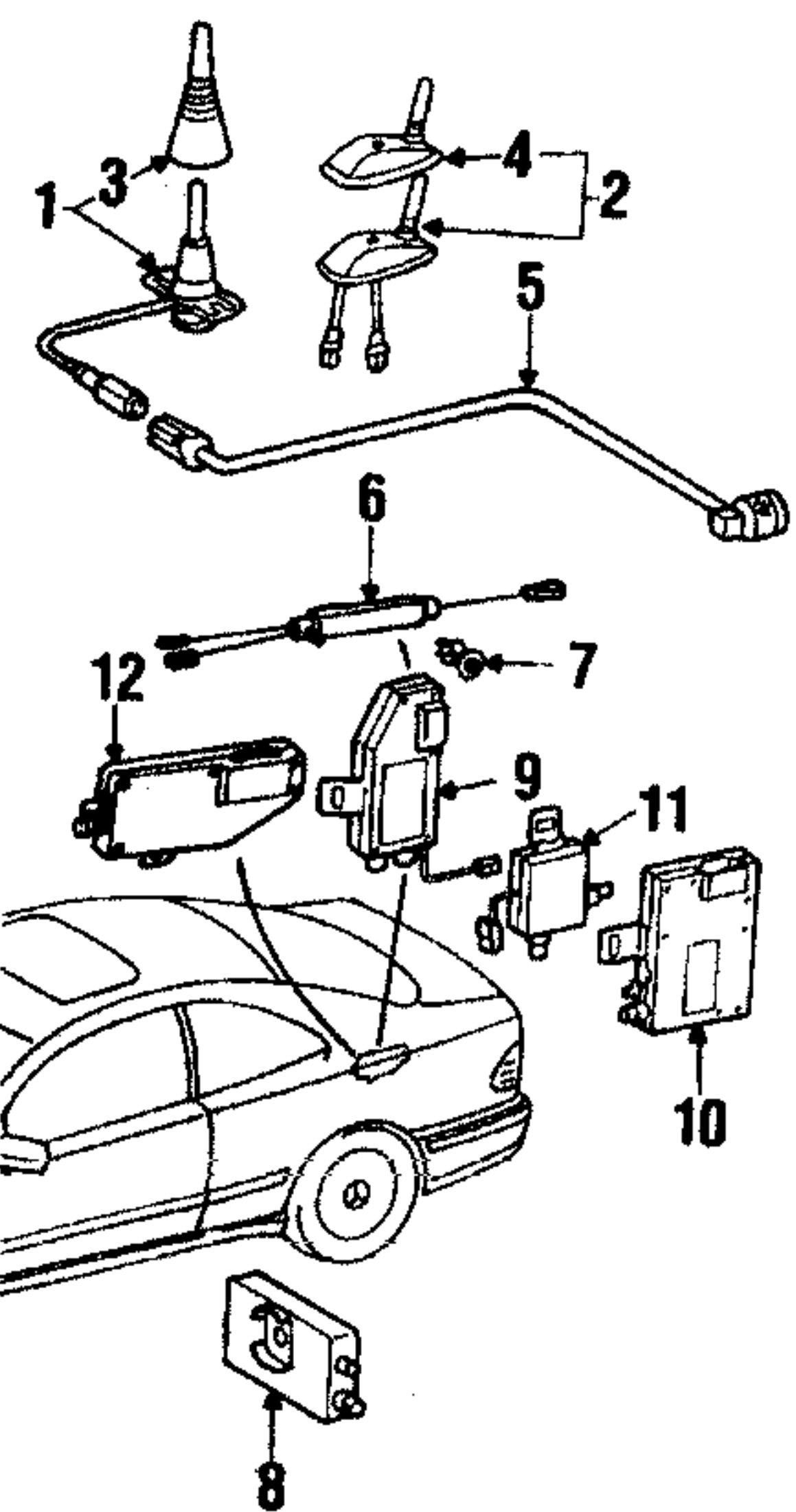
5769120

IGNITION SYSTEM

1 Ignition coil	98-99	99.00	m	0.3	000 158 75 03
	00-01	206.00	m	0.3	000 158 78 03
ECM	98-01	#	m	1.0	SEE FOOTNOTE

Ignition switch 98-01 ¶ SEE FOOTNOTE

PARTS: Part is located in the ELECTRICAL COMPONENTS-MODULES & CASE subgroup.
 ¶ PARTS: Part located in the INSTRUMENT PANEL group.

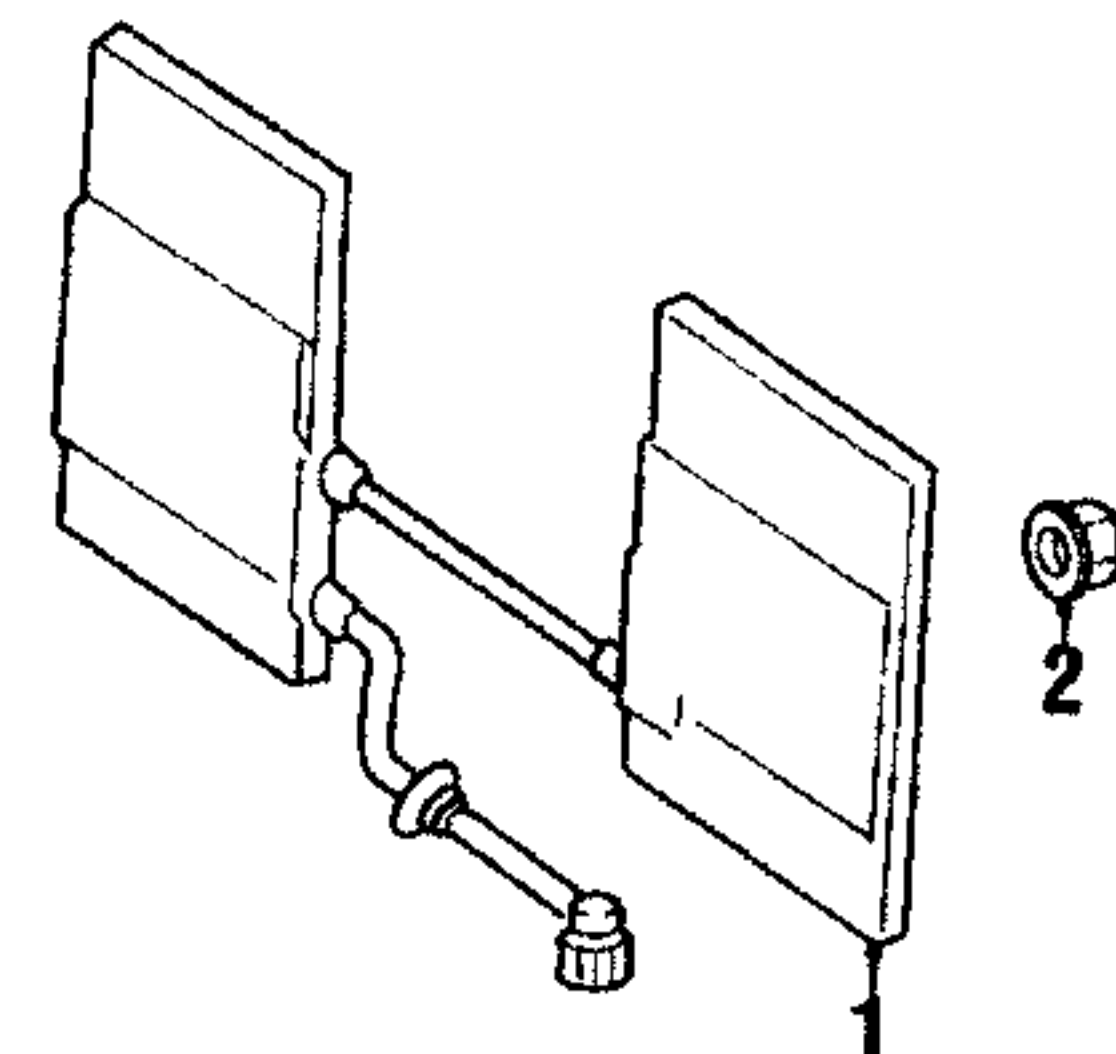


5769125

ANTENNA COUPE STANDARD

Antenna assy					
stereo system	98-01				SEE FOOTNOTE
1 cellular phone	98-01	79.00	¶	0.8	210 820 21 75
2 APS	98-01			0.8	210 820 13 75
Cap					
3 cellular phone	98-01	6.75	0.2		202 827 00 31
4 APS	98-01		0.2		210 827 00 31
5 Cable					
	98	38.00			140 820 90 15
	99-00				NOT LISTED
6 Filter					
7 clip	98-01	15.50			202 820 23 89
8 Connector					
Amplifier	98-01	960.00	0.3		008 988 90 78
c-pillar					210 820 27 89
9 upper					
	98-01R	150.00	‡	0.3	208 820 13 89
	98-01L	159.00	‡	0.3	208 820 10 89
10 lower					
	98-99R	595.00	‡	0.3	208 820 14 89
	98-99L	236.00	‡	0.3	208 820 11 89
	00-01R				NOT LISTED
	00-01L	236.00	‡	0.3	208 820 11 89
12 main	98-01	172.00	‡	0.3	208 820 04 89

¶ PARTS: Antenna integrated in rear glass.
 ‡ PARTS: Order by description.

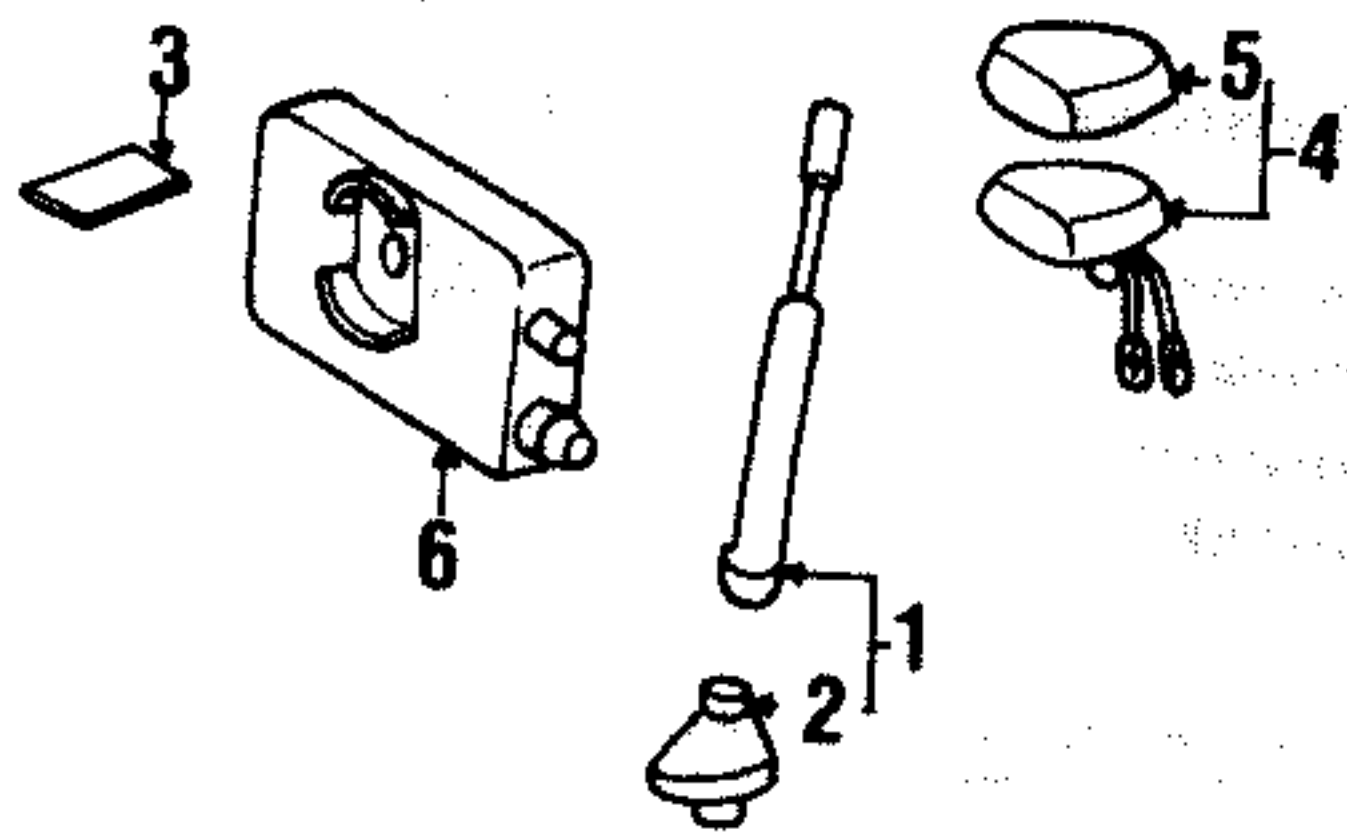


5769126

ANTENNA COUPE IN BUMPER

Antenna assy					
stereo	98-01	#			SEE FOOTNOTE
1 cellular phone	98-99	127.00	¶	0.3	202 820 22 75
	00-01	129.00	¶	0.3	210 820 17 75
2 nut					
	98-01	.40			001 990 20 50
clip					
	98-01	.50			005 988 35 78

PARTS: Antenna integrated in rear glass.
 ¶ LABOR: After rear bumper is removed.

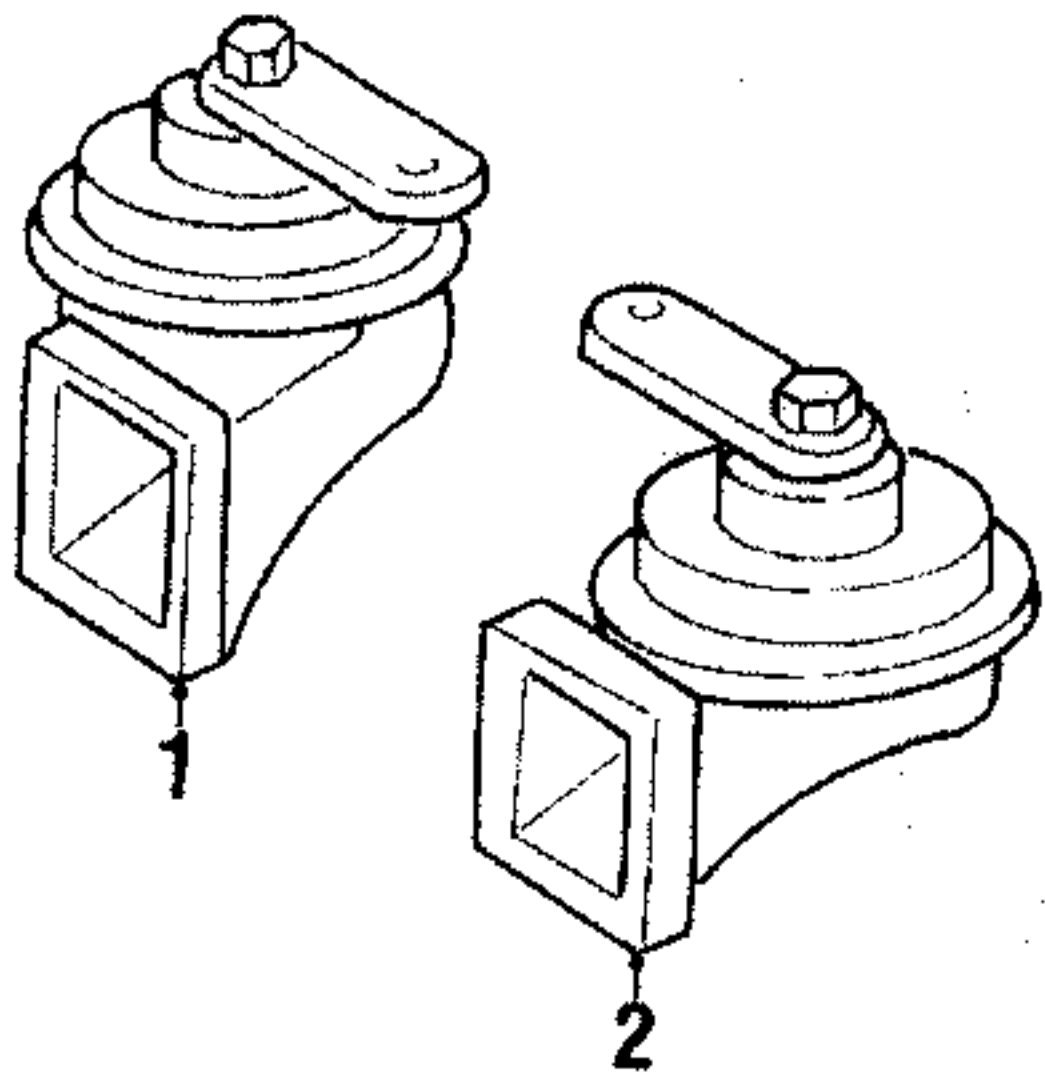


5769127

**ANTENNA
CONVERTIBLE**

1 Antenna mast	stereo system	99-01	57.00	0.2	208 820 00 75
2 base		99-01	16.00	0.3	208 820 01 75
3 seal		99-01	0.50		123 758 04 97
4 Antenna assy	GPS				
	black	99-01	282.00#	0.8	129 820 19 759040
	white	99-01	282.00#	0.8	129 820 19 759143
	red	99-01	282.00#	0.8	129 820 19 753582
5 cap	black	99-01	72.00#		129 827 02 319040
	white	99-01	72.00#		129 827 02 319143
	red	99-01	72.00#		129 827 02 313582
6 Amplifier		99-01	172.00	0.3	208 820 07 89

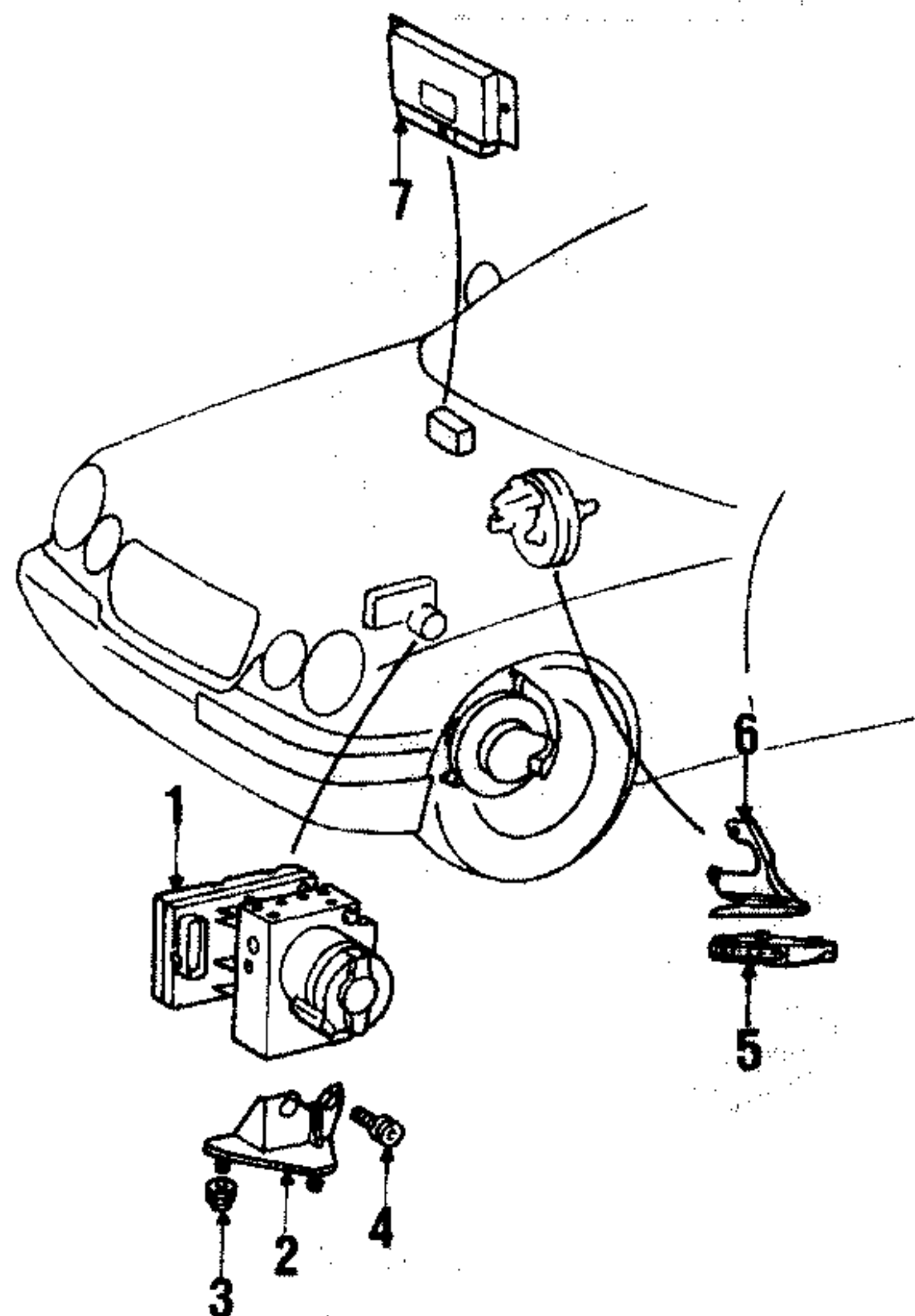
PARTS: Order by color.



5769129

HORN

1 low note	coupe, 3.2 liter	98-01	17.50	m 0.3	004 542 53 20
	coupe, 4.3L & 5.5L	99-01	22.00	m 0.3	004 542 78 20
	convertible	99-01	22.00	m 0.3	004 542 78 20
2 high note	coupe, 3.2 liter	98-01	20.00	m 0.3	004 542 54 20
	coupe, 4.3L & 5.5L	99-01	22.00	m 0.3	004 542 79 20
	convertible	99-01	22.00	m 0.3	004 542 79 20



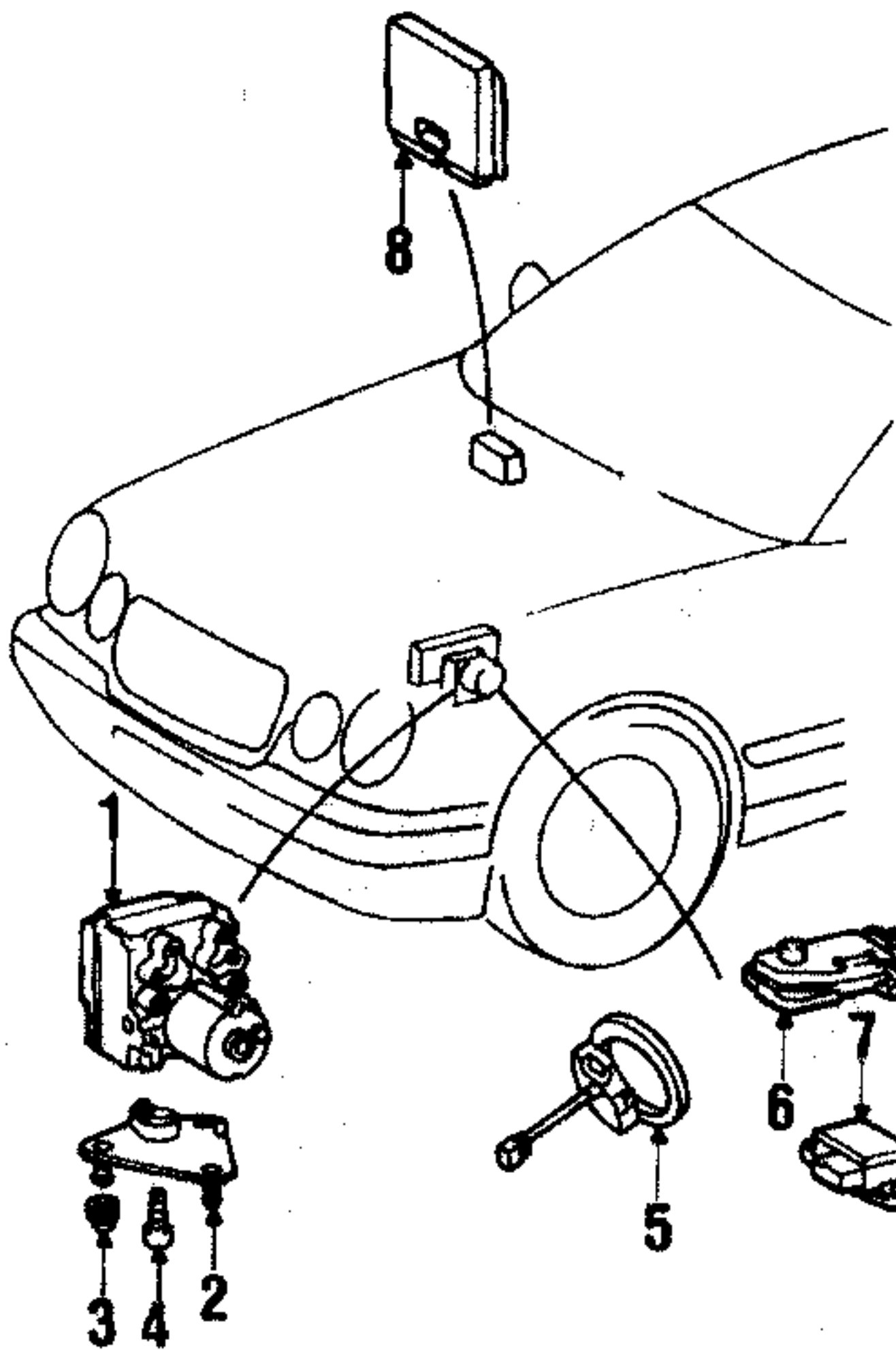
5769130

**ABS COMPONENTS
W/O ELECTRONIC STABILITY PROGRAM
(ESP)**

1 ABS pump assy		98-99	1400.00	m 1.8	003 431 18 12
2 bracket		98-99	10.50		202 431 06 40
3 insulator		98-99	7.75		604 094 00 85
4 bolt		98-99	.50		914 020 00 6013
5 Controller	on booster	98-99	294.00		025 545 47 32
6 bracket		98-99	6.25		000 431 28 40

7 Control module		98-99	#	SEE FOOTNOTE
ABS sensor		98-99	#	SEE FOOTNOTE

PARTS: Part is located in the ELECTRICAL COMPONENTS-MODULES & CASE subgroup.
PARTS: Sensors are located in the FRONT or REAR SUSPENSION group, under BRAKE COMPONENTS subgroup.

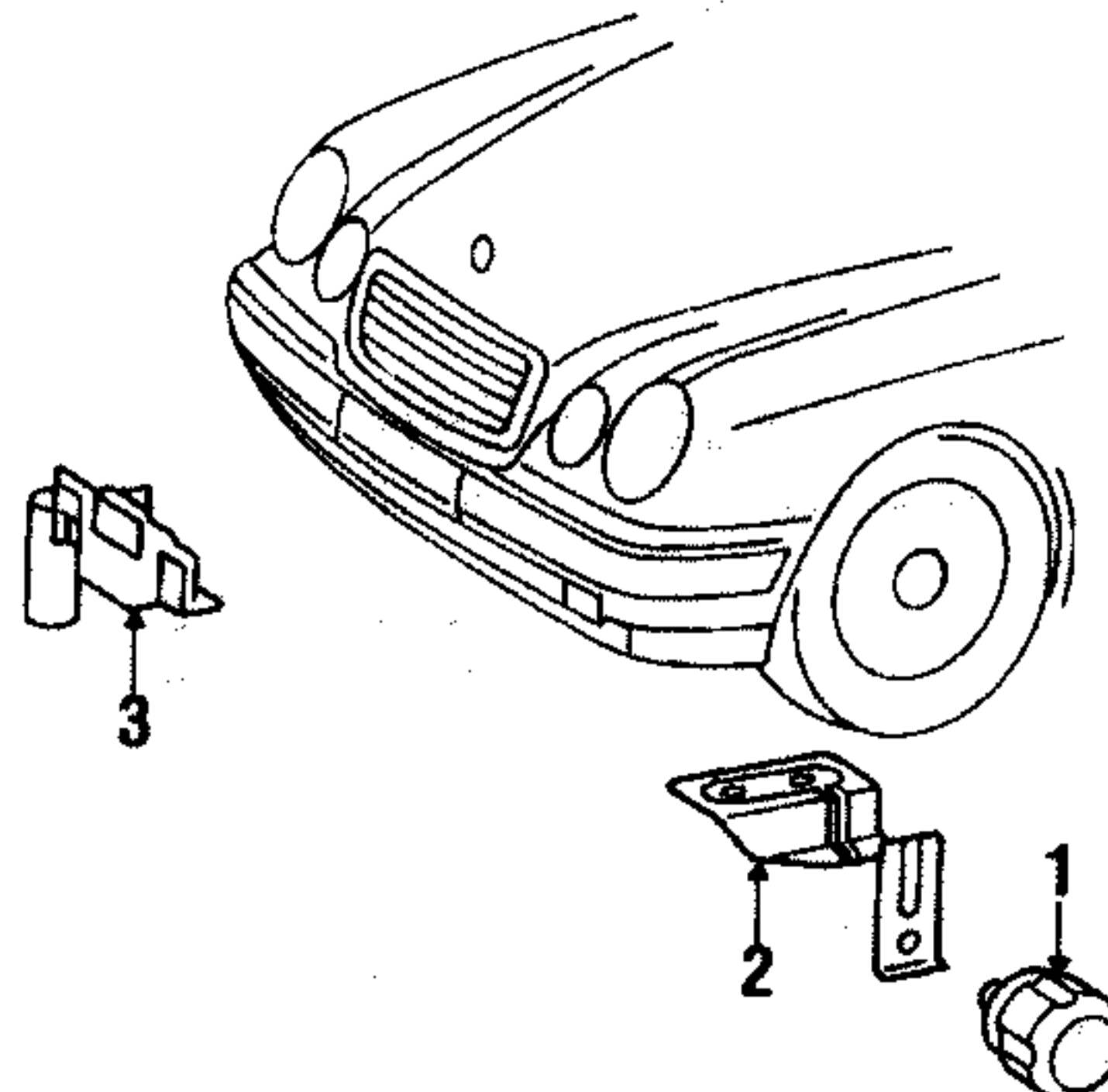


5769135

**ABS COMPONENTS
W/ELECTRONIC STABILITY PROGRAM
(ESP)**

1 ABS pump assy		98-99	1470.00	m 1.8	003 431 42 12
		00-01	1390.00	m 1.8	003 431 97 12
2 bracket		98-01	8.75		168 431 01 40
3 insulator		98-01	7.75		604 094 00 85
4 bolt		98-01	1.20		910 143 01 0005
Sensor					
5 lock angle		98-01	428.00		001 542 39 18
6 turn rate		98-01	1600.00		000 542 65 18
7 acceleration		98-01	406.00		012 542 04 17
8 Control module		98-01	#	SEE FOOTNOTE	
ABS sensor		98-01	#	SEE FOOTNOTE	

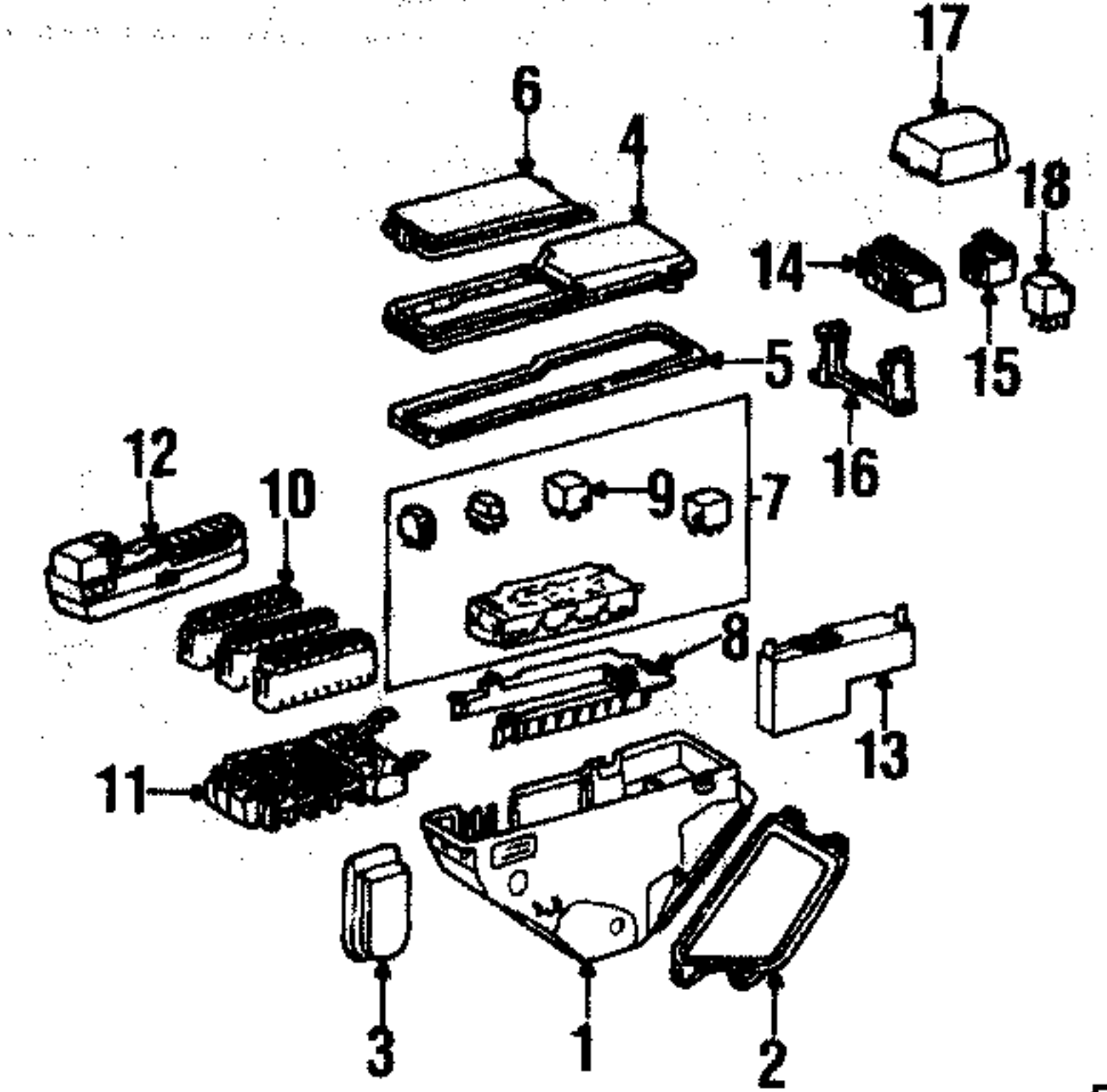
PARTS: Part is listed in the ELECTRICAL COMPONENTS-MODULES & CASE subgroup.
PARTS: Sensors are located in the FRONT or REAR SUSPENSION group, under BRAKE COMPONENTS subgroup.



5769140

ALARM SYSTEM

1 Alarm horn		98-01	172.00	0.4	220 820 28 26
2 bracket		98-01	16.50		202 822 06 14
3 Switch	hood	98-01	24.50	0.3	210 820 47 10



5769145

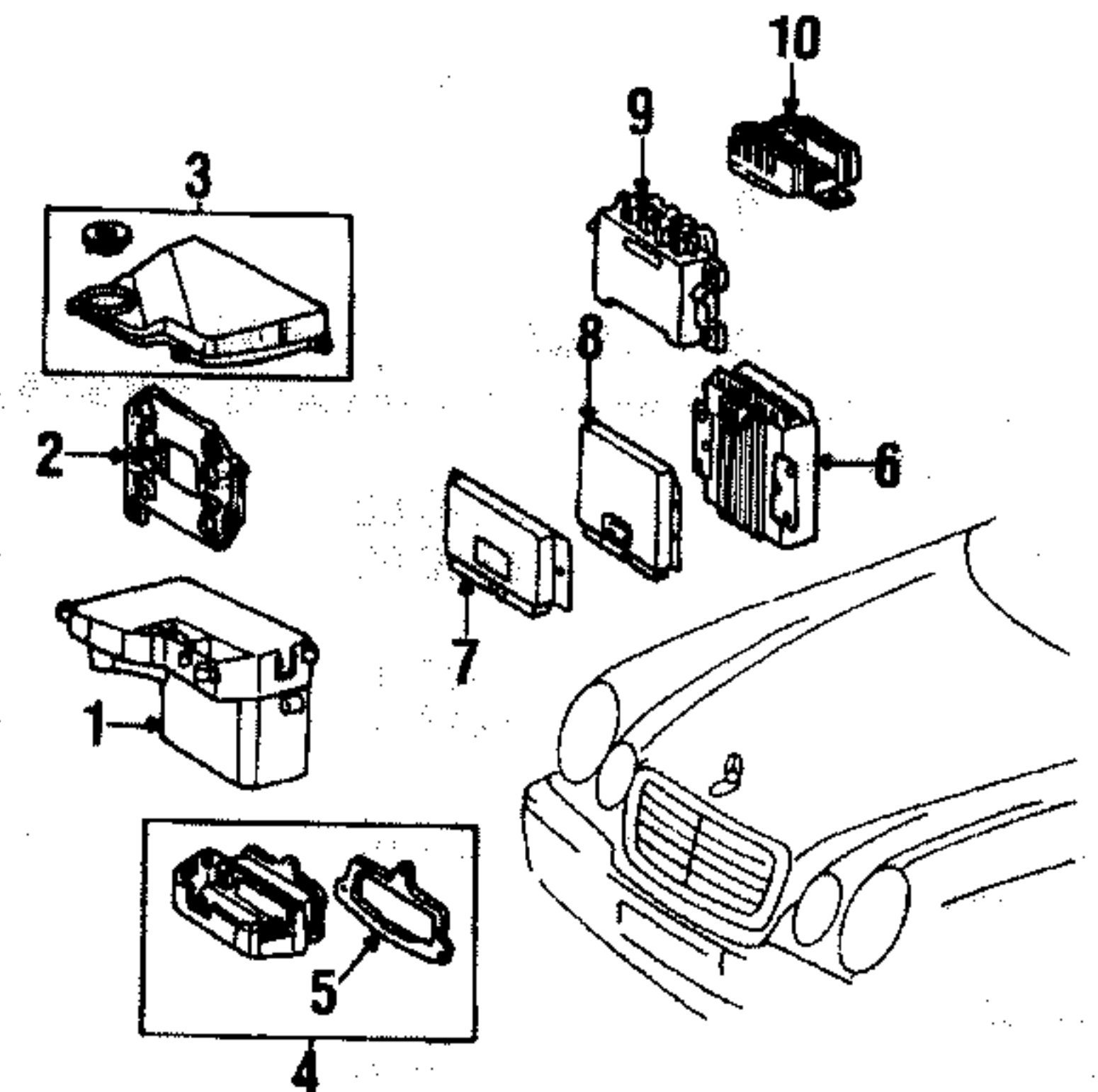
**ELECTRICAL COMPONENTS
FRONT FUSE & RELAY BOXES**

1 Fuse & relay box		98-01	47.00	m 1.0	208 540 00 50
2 gasket		98-01	3.90		202 545 05 80
3 grommet		98-01	1.40		202 997 33 81
4 Cover		98-01	17.50		208 545 00 03
5 gasket		98-01	4.20		202 545 06 80
6 Cap		98-01	17.50		208 545 00 03
7 Relay box		98-01	96.00		002 545 27 01
8 bracket		98-01	5.00		208 545 02 40
9 Relay		98-01	15.00#		002 542 03 19
10 Fuse box					
	fuses 1-9	98-01	7.75		002 545 08 01
	fuses 10-18	98-01	7.75		002 545 09 01
	fuses 19-27	98-01	8.25		002 545 06 01
11 bracket		98-01	12.50		208 545 00 40
12 Relay assy		98-01	69.00		000 540 00 72
13 Control module	SAM	98-01	220.00		019 545 56 32

**ELECTRICAL COMPONENTS
REAR FUSE BOX**

Fuse box					
14 fuses 1-9		98-01	7.75		001 545 79 01
15 fuses 10-13		98-01	5.25		001 545 99 01
16 bracket		98-01	1.90		202 545 51 40
17 cap		98-01	1.70		202 545 08 03
18 Fuel pump relay		98-01	24.50		002 542 13 19

PARTS: Order by description.



5769150

**ELECTRICAL COMPONENTS
MODULES & CASE**

1 Housing		98-01	23.50		202 540 04 24
2 bracket		98	15.50		210 540 01 73
		99-01	9.75		210 545 41 40
3 cover		98-01	14.00		202 540 05 82
4 Tray		98-01	27.00		202 540 01 67
5 gasket		98-01	3.40#		202 545 10 80
6 ECM					
	3.2 liter	98	1250.00#		023 545 97 32
		99-01	1460.00#		026 545 66 32
	4.3 liter	99-01	1680.00#		029 545 34 32
	5.5 liter	01	1010.00#		031 545 10 32
ABS control unit					
7 w/o ESP		98-99	590.00		019 545 31 32
8 w/ESP		98-01	1200.00		029 545 70 32
Control module					
9 EGS					
	3.2 liter	98-01	830.00		024 545 81 32
		00-01	1140.00		024 545 20 32
	4.3 liter	99	690.00		025 545 20 32
		00-01	690.00		025 545 21 32
10 auxiliary fan					
	3.2 liter	98-01	168.00		027 545 81 32

CONTINUED

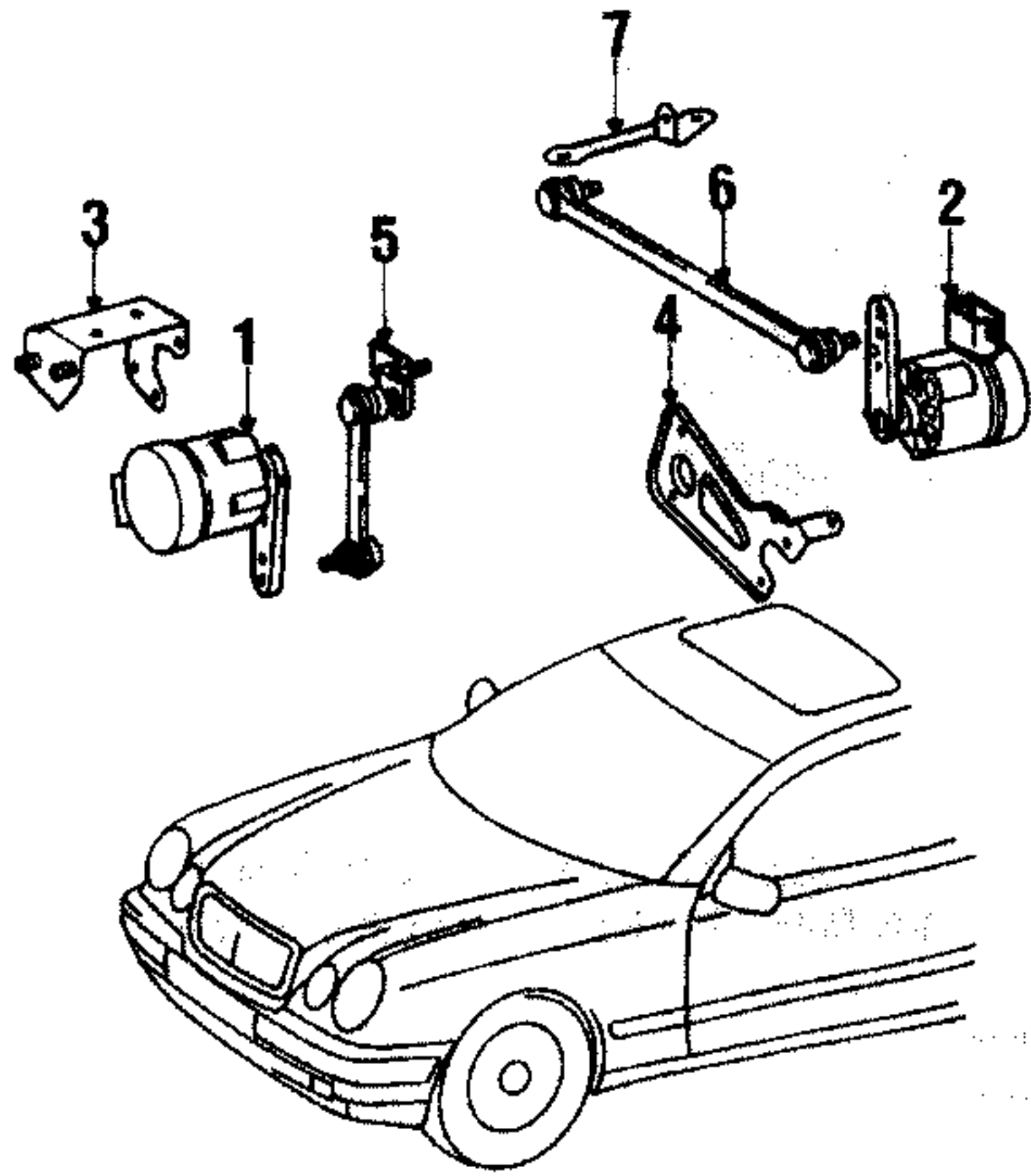
1998-01 M/BENZ CLK CLASS

CLK320, CLK430,
CLK55

ERI 5769

ELECTRICAL (CONT)

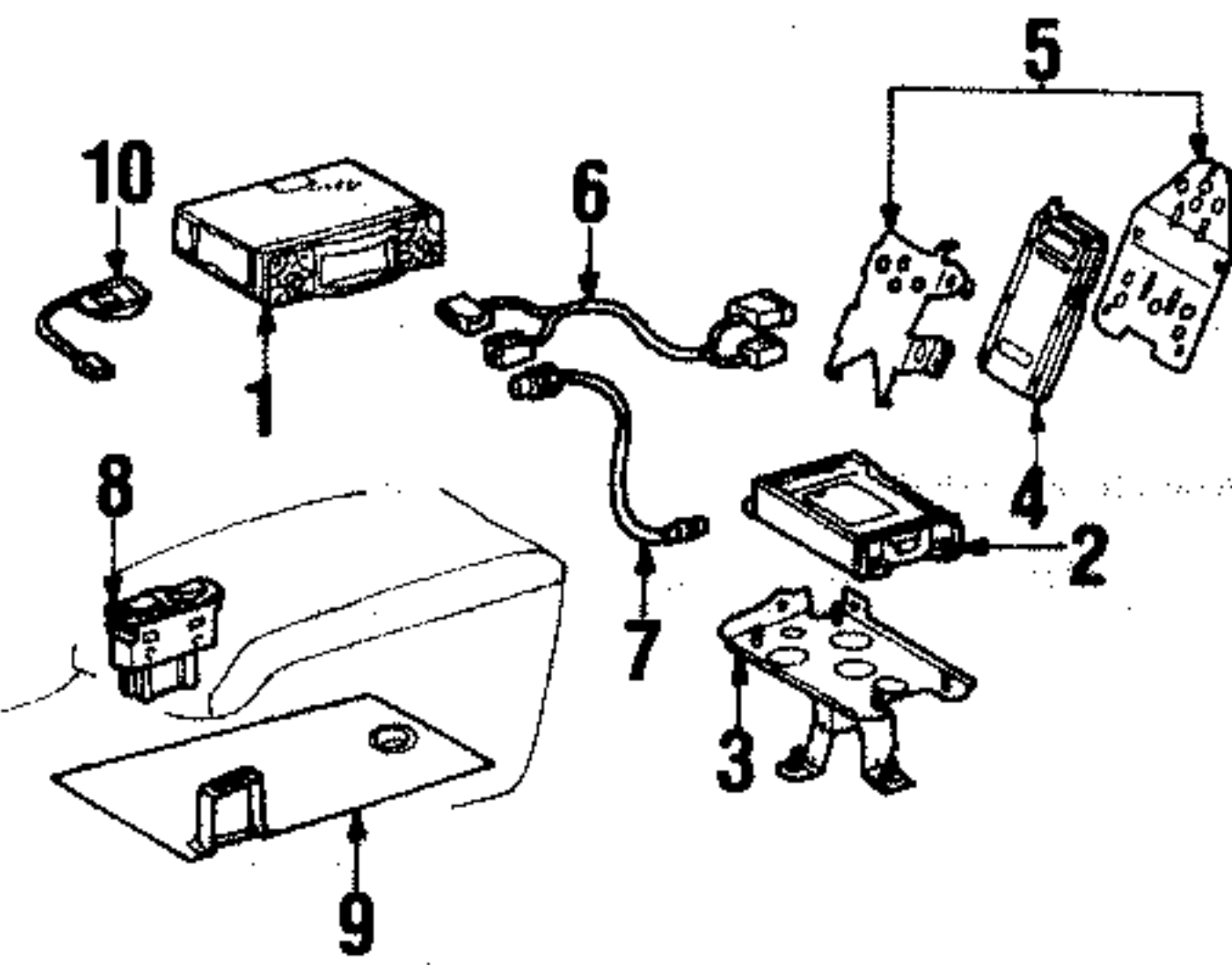
PARTS: Part is included with tray.
1 PARTS: Order part by VIN. ECM must be programmed with hand held tester after installation.



5769155

ELECTRICAL COMPONENTS HEADLAMP AIM SENSORS

Sensor			
1 front	98-01	145.00 m 0.3	010 542 77 17
2 rear	98-01	145.00 m 0.3	010 542 77 17
bracket			
3 front	98-01	7.00	208 320 01 43
4 rear	98-01	4.50	208 320 02 43
Connector rod			
5 front	98-01	30.00	208 320 00 89
6 rear	98-01	40.00	202 320 02 32
7 rear bracket	98-01	1.90	208 328 02 40



5769158

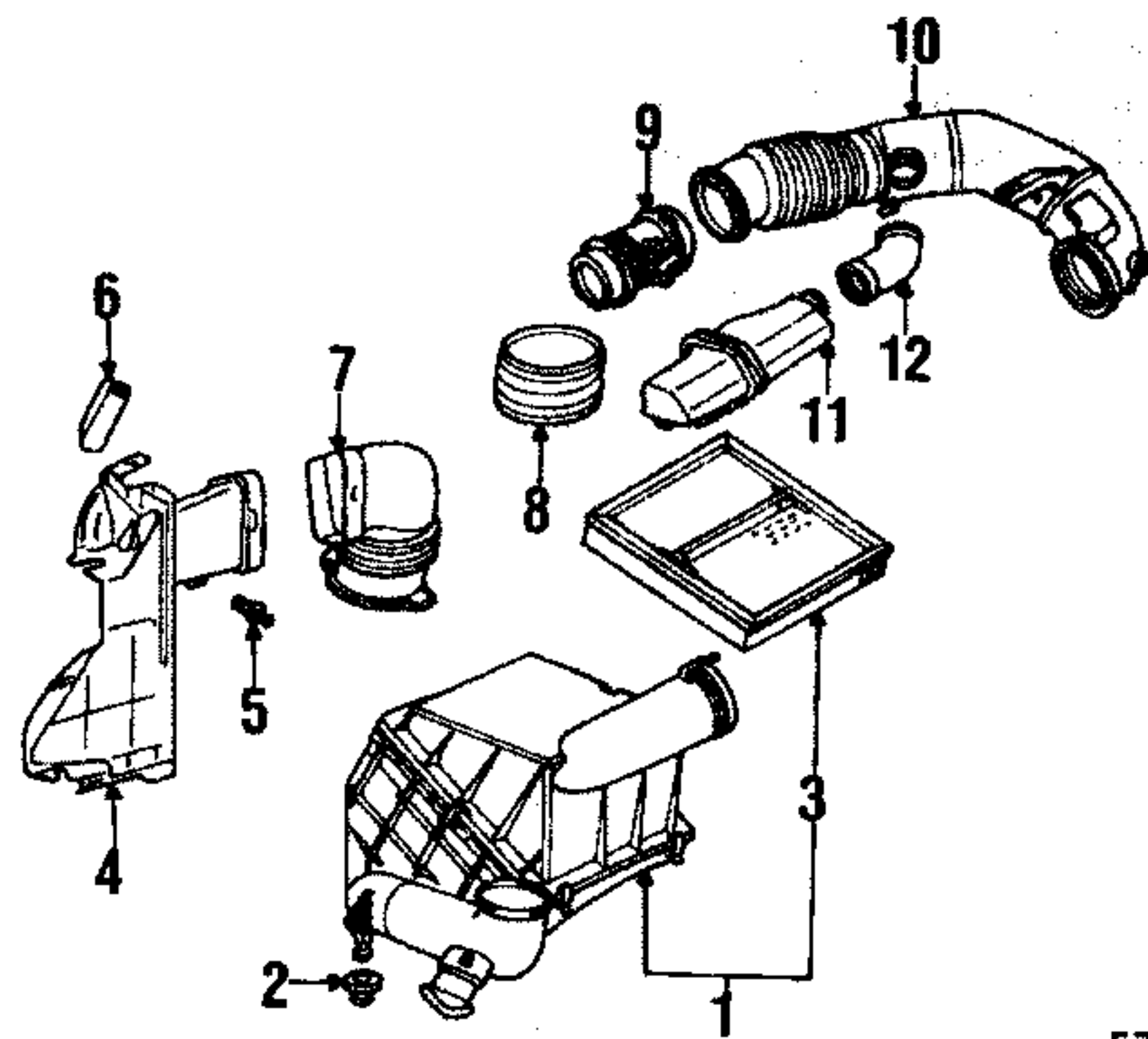
ELECTRICAL COMPONENTS COMAND AND VOICE CONTROL SYSTEM

1 Control module			
comand	00	5590.00	208 820 31 89
	01	6560.00	208 820 35 89
2 Module			
voice control	00	1420.00	220 820 47 26
	01	1470.00	220 820 88 26
3 bracket			
convertible	00	224.00	208 820 26 14
4 Transmitter			
receiver	00-01	254.00	220 820 05 35
5 bracket			
convertible	00-01	68.00	208 820 20 14
Adapter			
type 1			
to 6/99	00	40.50	220 820 34 15
from 6/99	00-01		NOT LISTED
type 2			
to 6/99	00	31.50	220 820 14 15
from 6/99	00-01	32.00	208 820 18 15
8 Switch			
teleaid	00-01	23.50	220 821 56 51
9 Plate			
teleaid	00-01	22.00	208 823 00 11
10 Microphone			
coupe	00-01	94.00	220 820 18 35
convertible	00-01	86.00	202 820 10 35

ENGINE 3.2 LITER

R&I engine Assy 98-01 m10.5

PARTS AND R&R OPERATIONS

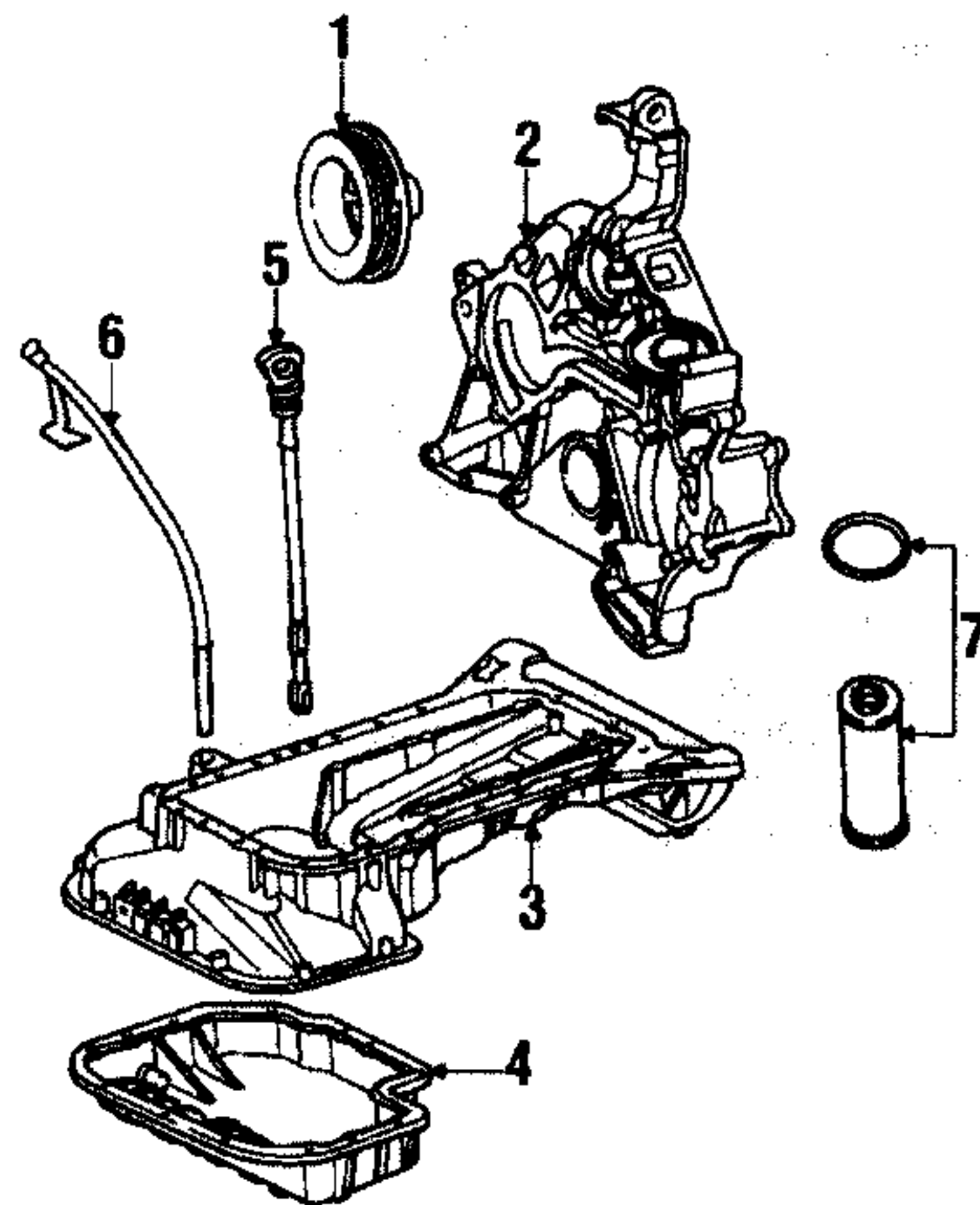


5769160

AIR INTAKE

1 Air cleaner	98-01	154.00	m 0.3	112 090 07 01
2 rubber mount	98-01	7.75		604 094 00 85
3 Filter element	98-01	24.50#	m 0.2	604 094 14 04
4 Intake duct	98-01	15.00	m 0.3	208 528 00 04
5 rivet	98-01	.40		123 990 00 92
6 cover	98-01	1.90		202 505 01 86
7 Elbow	98-01	10.50	m 0.3	208 528 00 07
8 Boot	98-01	7.00		202 528 00 91
9 Air mass sensor	98-01	274.00	m 0.3	112 094 00 48
10 Pipe	98-01	61.00	m 0.3	112 140 00 12
11 Resonator	98-01	16.50	m 0.2	112 140 00 87
12 Hose	98-01	3.40		112 141 00 83

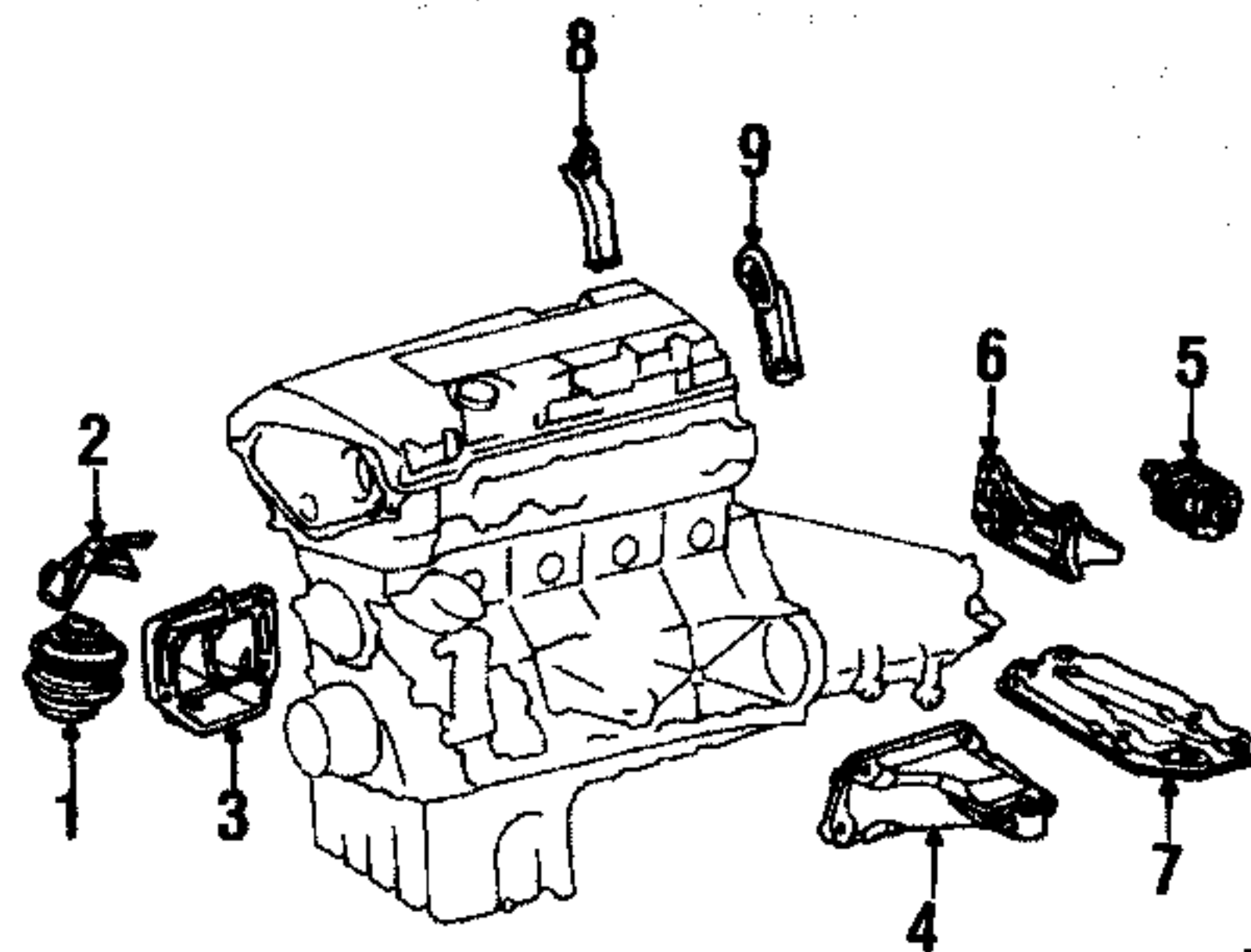
PARTS: Part is included with air cleaner.



5769165

ENGINE PARTS

1 Vibration damper	98-01	80.00	m 3.5	112 035 06 00
2 Timing cover				
Federal	98-01	254.00	m 11.0	112 010 06 33
California	98-01	240.00	m 11.0	112 010 07 33
Oil pan				
upper	98-01	260.00	m 5.5	112 014 07 02
lower				
to eng #30173082	98-99	86.00	m 5.5	112 010 03 28
from eng 30173083	00-01	95.00	m 5.5	112 010 06 28
5 Dipstick	98-01	14.50	0.1	112 010 03 72
6 Tube	98-01	40.00	m 0.2	112 010 02 66
7 Oil filter	98-01	9.00	m 0.3	112 180 00 09



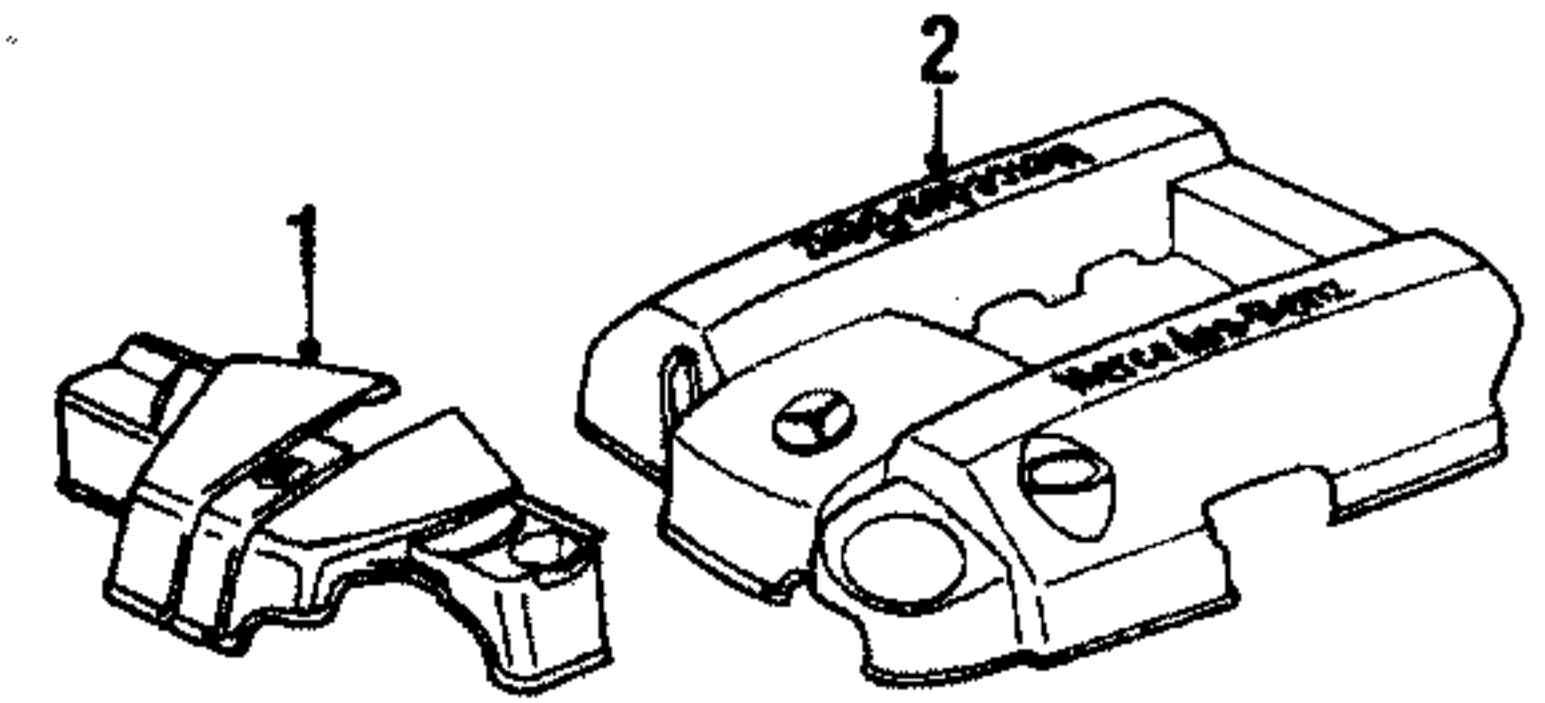
5769170

ENGINE & TRANS MOUNTING

1 Front mount	98-01B	102.00	m 1.5	202 240 34 17
2 Heat shield	98-99R	7.00		210 241 11 34
	98-99L	7.00		210 241 10 34

00-01R	8.00			210 241 14 34
00-01L	8.00			210 241 13 34
3 Mount bracket	98-01R	100.00#	m 0.2	112 223 37 04
4	98-01L	97.00#	m 0.2	112 223 14 04
5 Rear mount	98-01	37.00	m 0.5	220 240 02 18
6 Rear bracket	98-01	12.50		140 242 13 40
7 Rear support	98-01	30.00		202 242 09 01
8 Lift bracket	98-01R	5.25		112 223 04 41
9	98-01L	5.25		112 223 03 41

LABOR: After mount is removed.

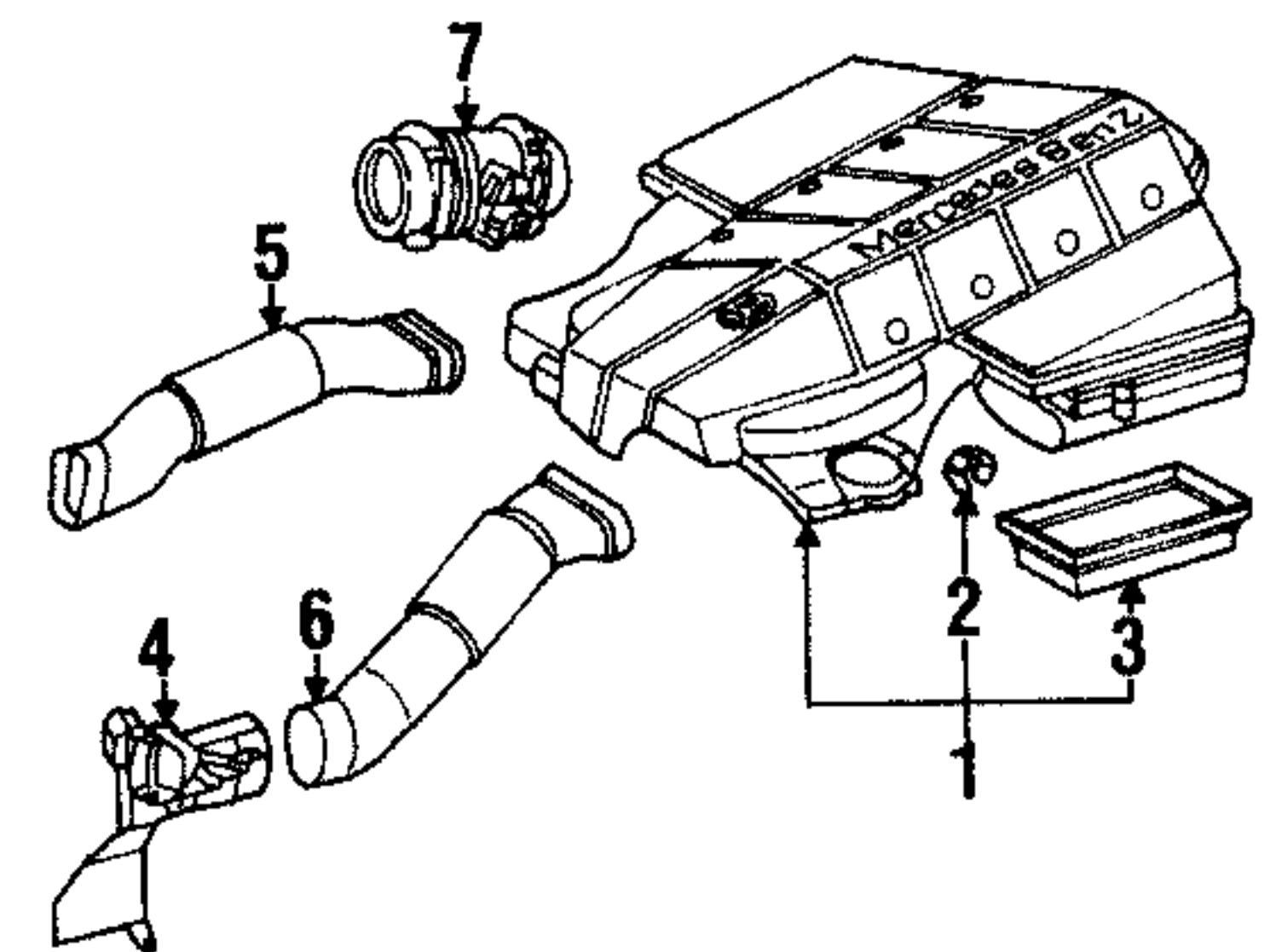


5769175

ENGINE APPEARANCE COVER

1 Front cover	98-01	0.3		112 010 03 67
2 Rear cover				
Federal	98-01	129.00	0.5	112 010 00 67
California	98-01	129.00	0.5	112 010 01 67

ENGINE 4.3 LITER

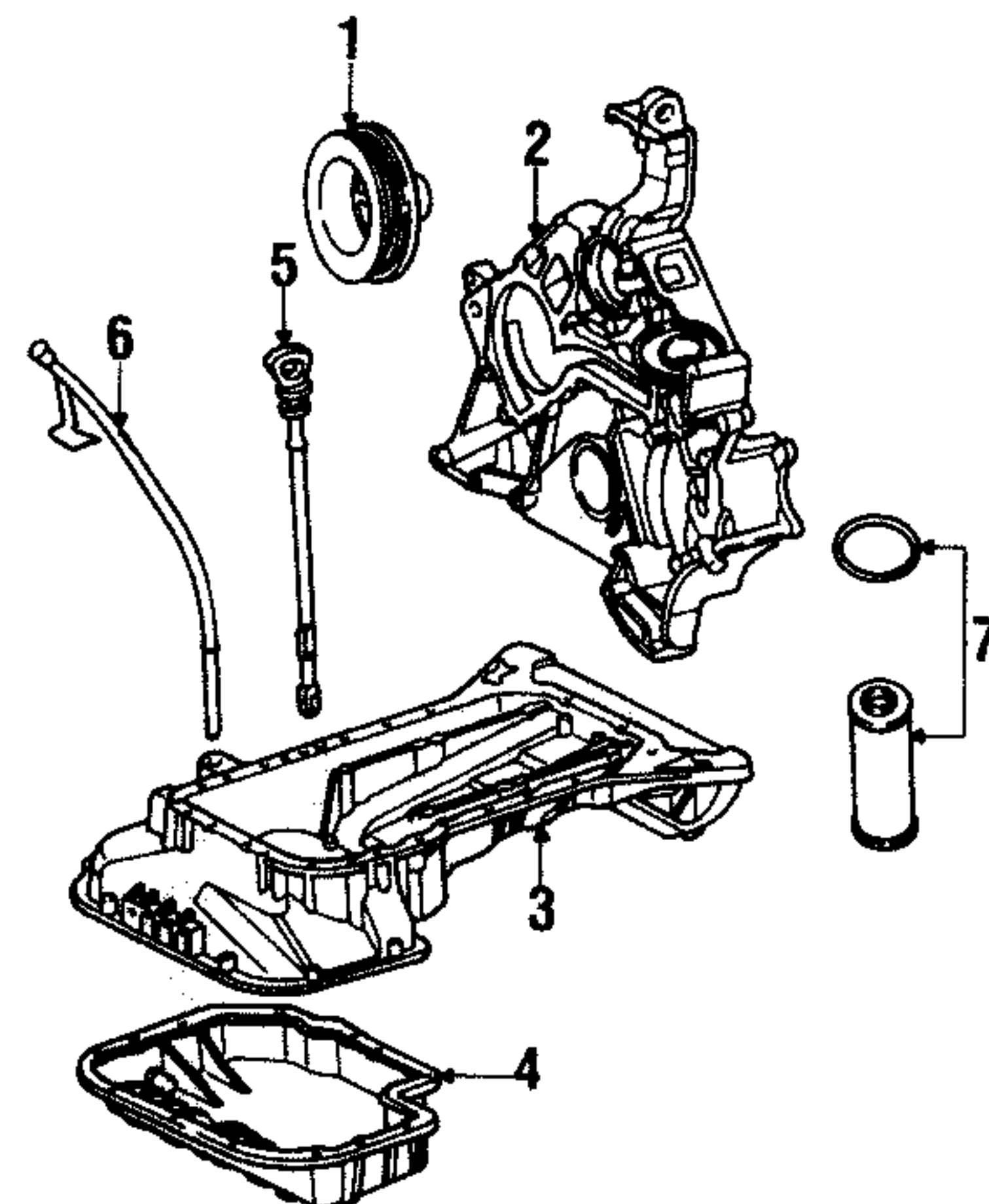


5769700

AIR INTAKE

1 Air cleaner	99-01	306.00	m 0.3	113 090 02 01
2 bracket	99-01	1.90#		112 094 00 41
3 Filter element	99-01	28.50#	m 0.2	004 094 16 04
4 Intake duct	99-01	32.00	m 0.3	208 528 01 04
5 Tube Assy	99-01R	25.00	m 0.2	113 094 08 82
6	99-01L	32.00	m 0.2	113 094 07 82
7 Air mass sensor	99-01	274.00	m 0.3	112 094 00 48

PARTS: Part is included with air cleaner.

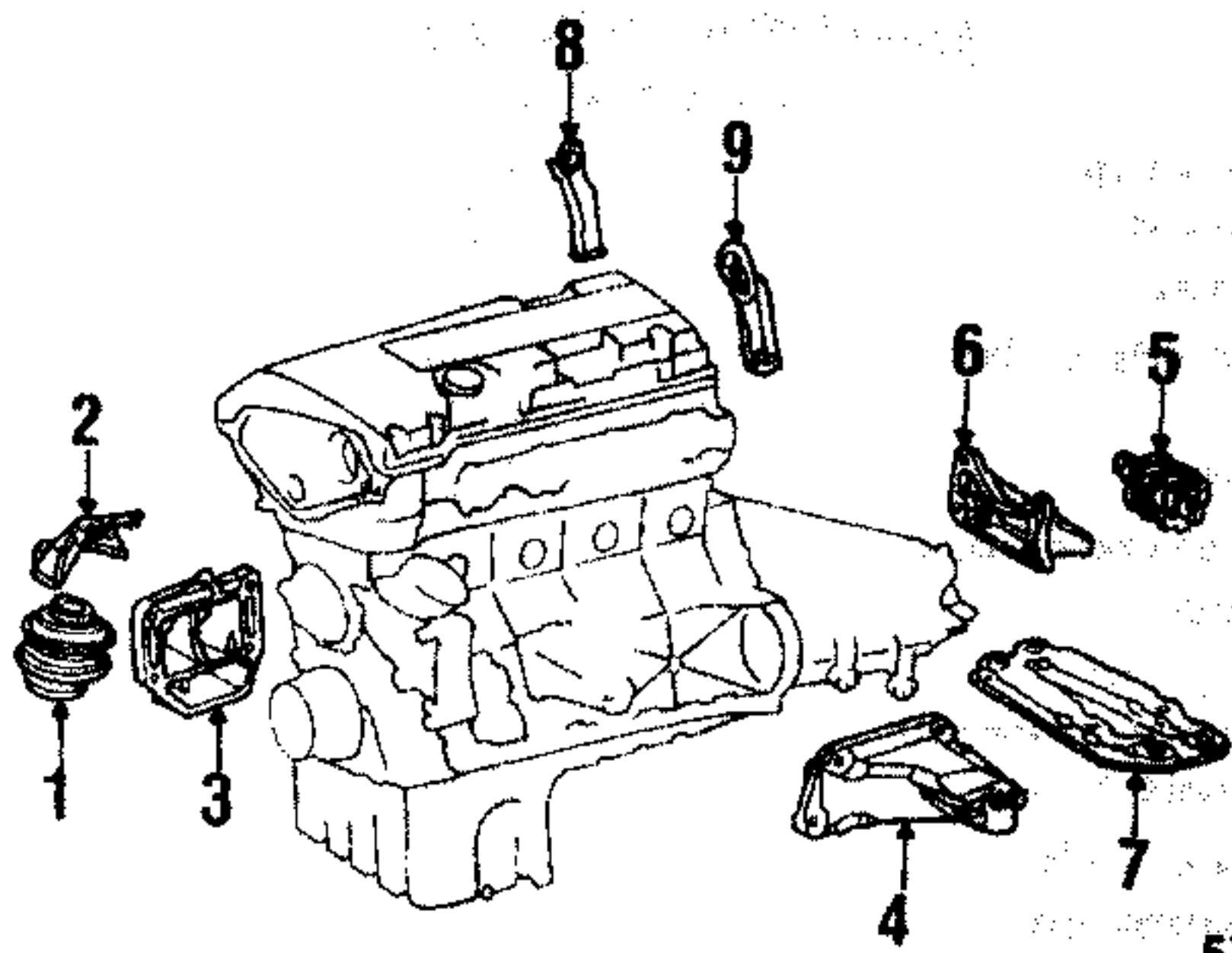


5769705

ENGINE PARTS

1 Vibration damper	99-01	80.00	m 3.5	112 035 06 00
2 Timing cover				
Federal	99-01	254.00	m 11.0	112 010 06 33
California	99-01	240.00	m 11.0	112 010 07 33
Oil pan				
upper	99-01	248.00	m 5.5	113 014 01 02
lower				
to eng #30007653	99	86.00	m 5.5	112 010 03 28
from eng 30007654	00-01	95.00	m 5.5	112 010 06 28
5 Dipstick	99-01	14.50	0.1	113 010 00 72
6 Tube	99-01	40.00	m 0.2	112 010 02 66
7 Oil filter	99-01	9.00	m 0.3	112 180 00 09

Please contact our Product Support Group if you require assistance locating, interpreting or using any information contained in the Estimating Data. Toll Free Number: 1-800-426-6867.



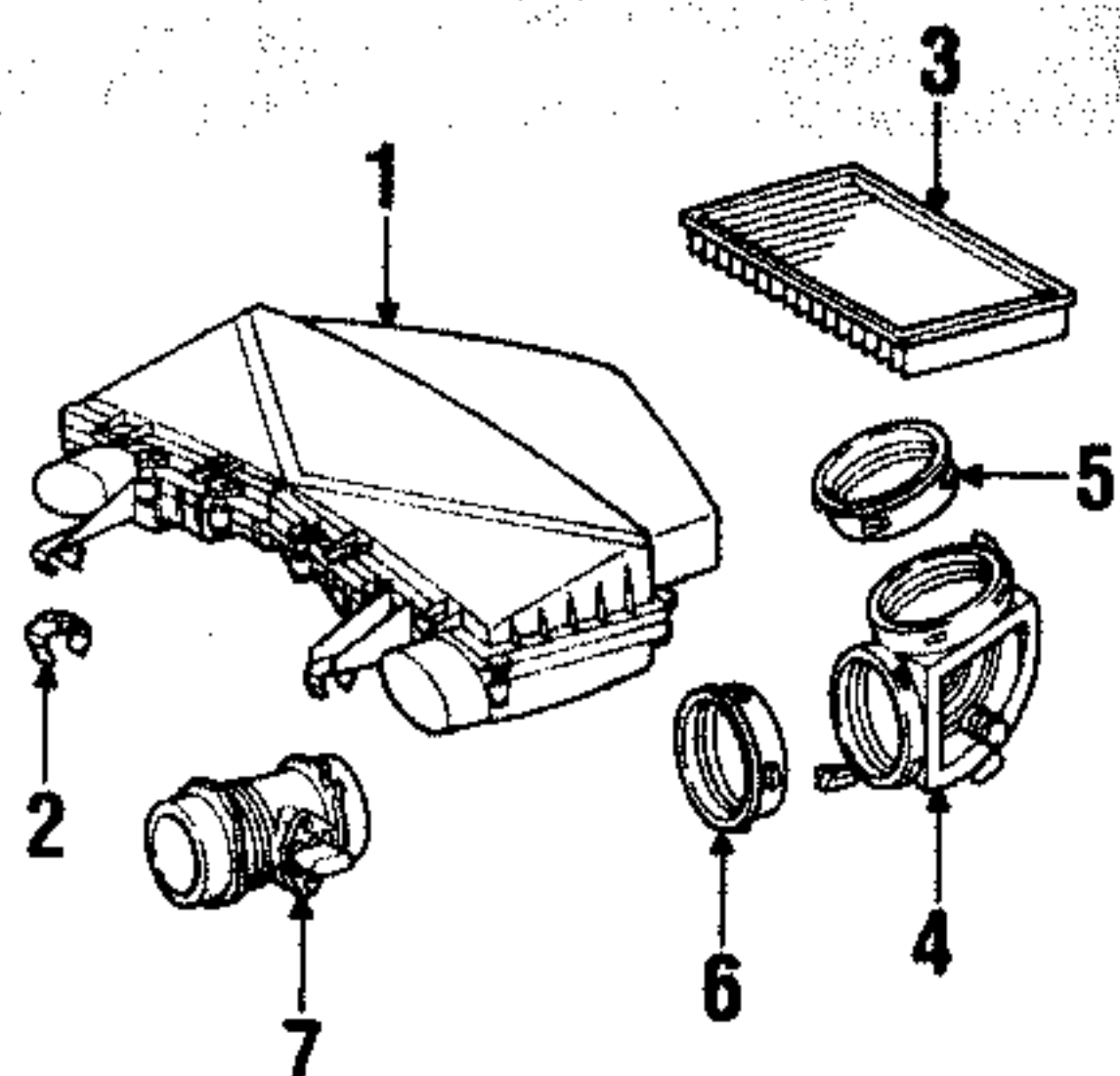
5769177

ENGINE & TRANS MOUNTING

1 Front mount	99-01B	102.00	m 1.5	202 240 29 17
2 Heat shield	99-01R	8.00		210 241 14 34
	99-01L	8.00		210 241 13 34
3 Mount bracket	99-01R	100.00#	m 0.2	112 223 37 04
	99-01L	97.00#	m 0.2	113 223 00 04
4 Rear mount	99-01	37.00	m 0.5	220 240 02 18
6 Rear bracket	99-01	12.50		140 242 13 40
7 Rear support	99-01	30.00		202 242 09 01
8 Lift bracket	99-01R	5.25		112 223 03 41
	99-01L	5.25		112 223 04 41

LABOR: After mount is removed.

ENGINE 5.5 LITER

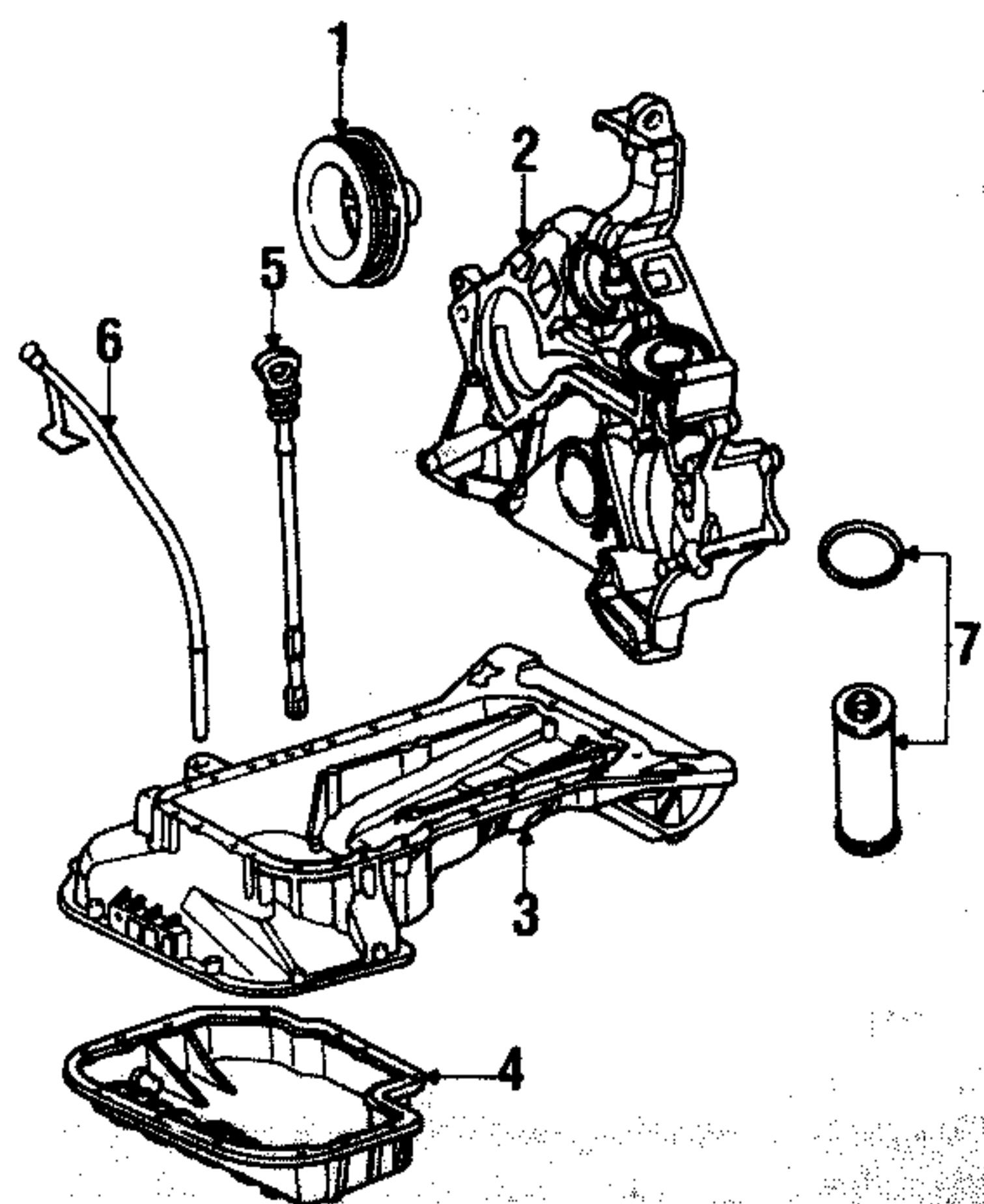


5769600

AIR INTAKE

1 Air cleaner	01	185.00	m 0.3	113 090 01 01
2 bracket	01	1.90#		112 094 00 41
3 Filter element	01		# m 0.2	104 090 16 04
4 Housing	01	25.00		112 140 00 18
5 gasket				
5 upper	01	2.40		112 141 02 80
6 lower	01	2.40		112 141 01 80
7 bracket	01	1.90		112 141 01 40
7 Air mass sensor	01	274.00	m 0.3	113 094 00 48

PARTS: Part is included with air cleaner.

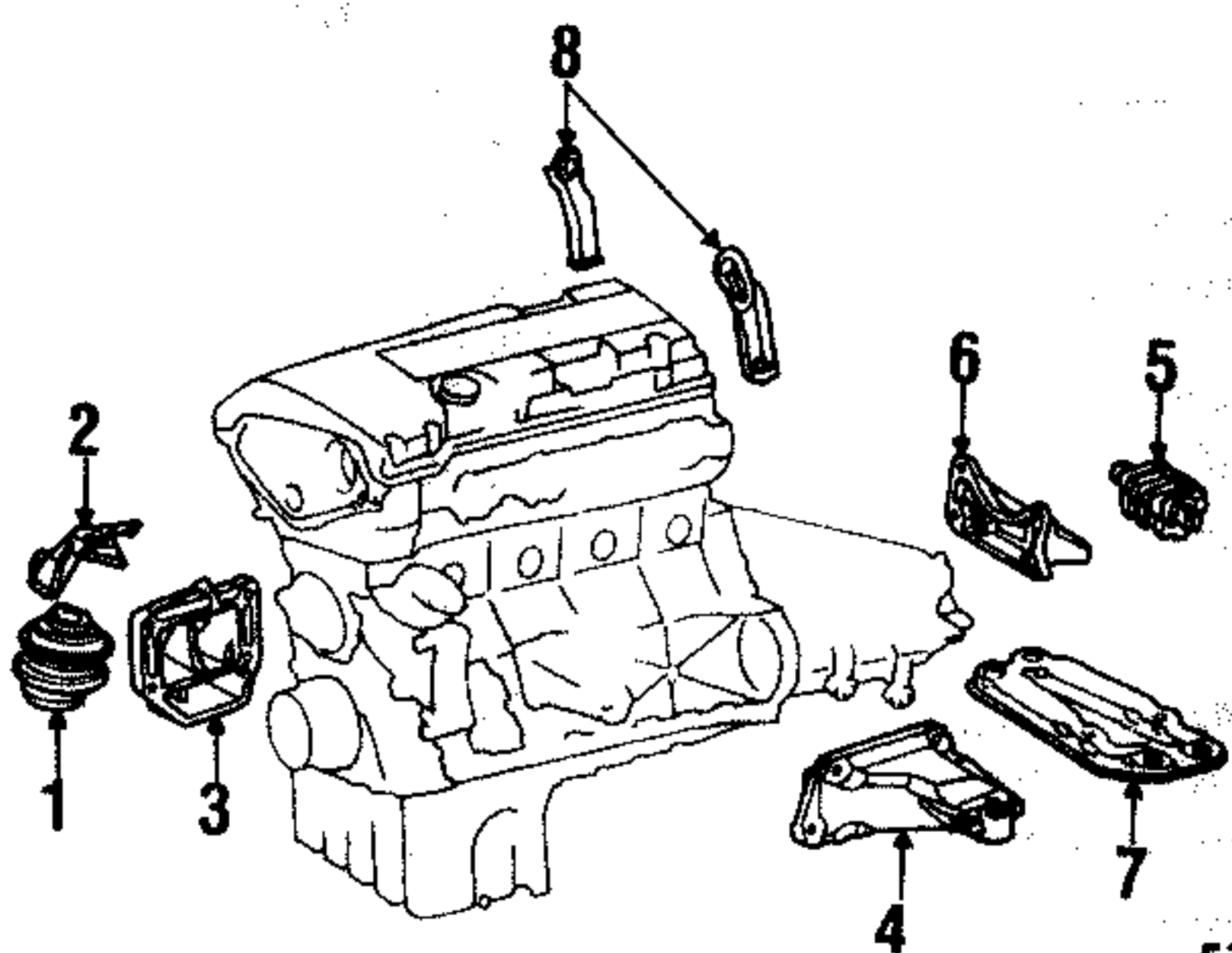


5769605

ENGINE PARTS

1 Vibration damper	01	450.00	m 1.2	113 035 01 00
2 Timing cover	01	254.00		112 010 06 33
Oil pan				
3 upper	01	248.00#	m 9.0	113 014 01 02
4 lower	01	95.00	m 1.4	112 010 06 28
5 Dipstick	01	15.00	m 0.1	113 010 04 72
6 Tube	01	40.00	m 0.2	112 010 02 66
7 Oil filter	01	9.00	m 0.3	112 180 00 09

LABOR: Time includes R&R/R&l lower oil pan.



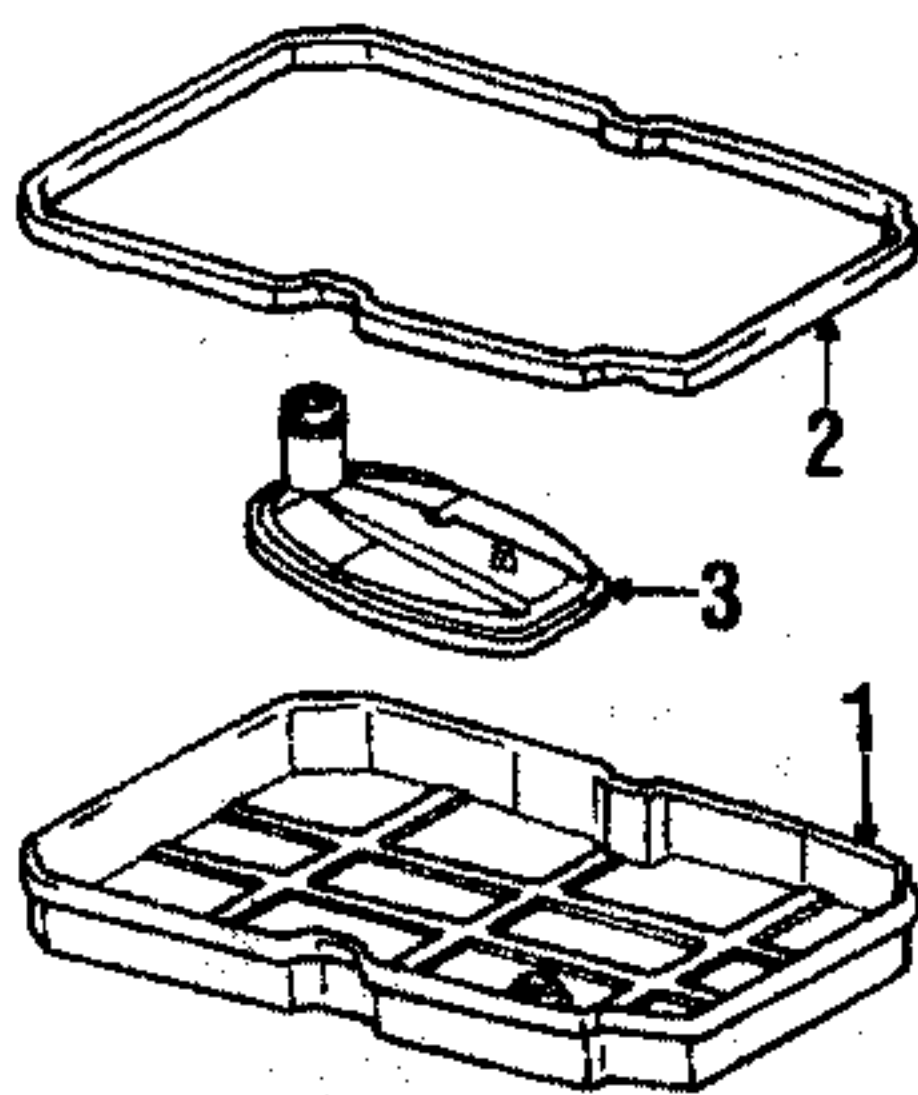
5769610

ENGINE & TRANS MOUNTING

1 Front mount	01 B	102.00	m 1.5	202 240 29 17
2 Heat shield	01 R			210 241 07 34
	01 L	8.00		210 241 13 34
3 Mount bracket	01 R		# m 0.2	NOT LISTED
	01 L	97.00#	m 0.2	113 223 00 04
4 Rear mount	01	37.00	m 0.5	220 240 02 18
6 Rear bracket	01	12.50		140 242 13 40
7 Rear support	01	30.00		202 242 09 01
8 Lift bracket	01 B			NOT LISTED

LABOR: After mount is removed.

TRANSMISSION



5769180

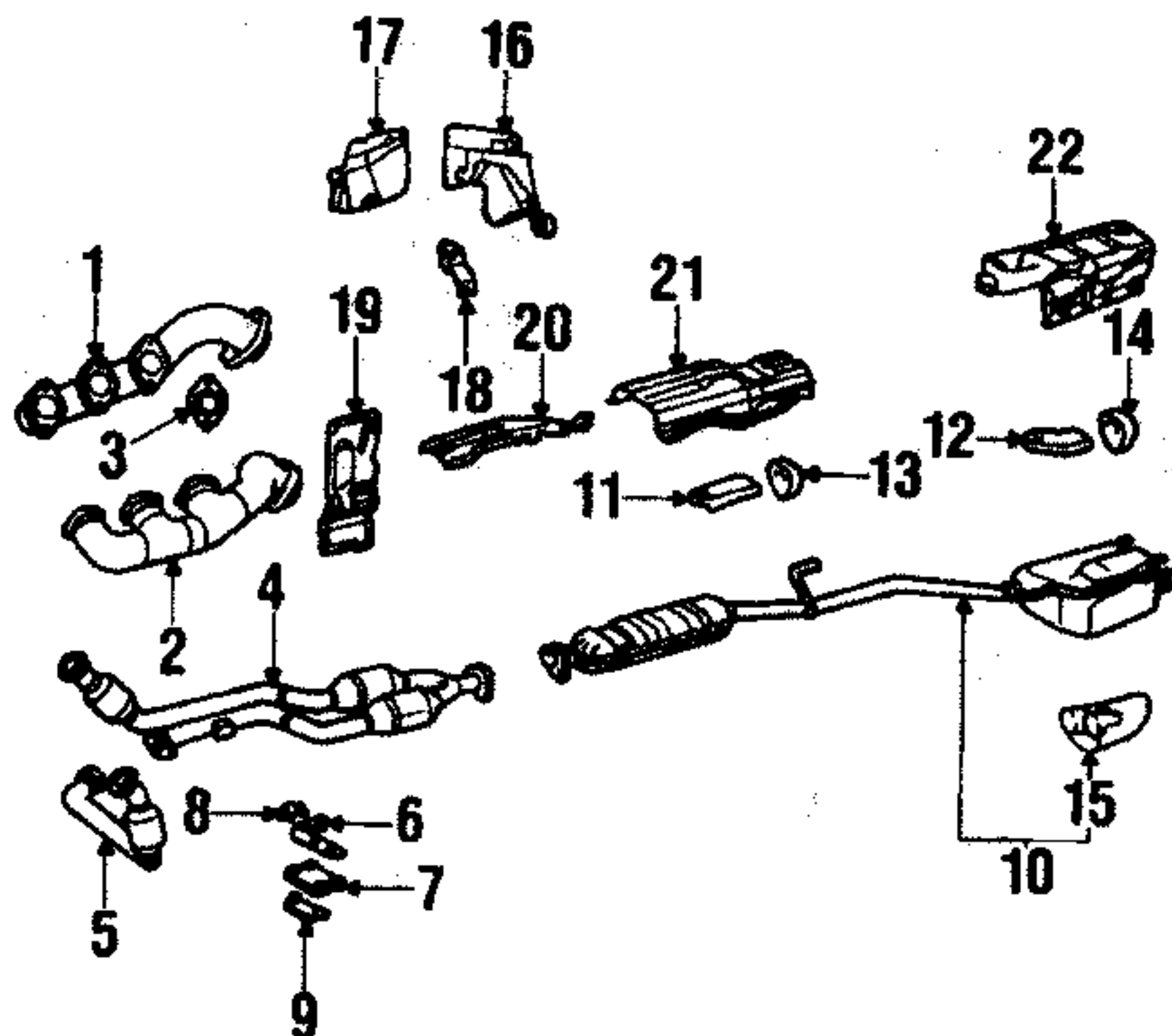
R&I OPERATIONS

R&l auto trans. 98-01 m 4.0

PARTS AND R&R OPERATIONS

1 Trans pan	98-01	79.00	m 1.1	140 270 08 12
2 gasket	98-01	8.75		140 271 00 80
3 Filter	98-01	10.50		140 277 00 95

EXHAUST SYSTEM 3.2 LITER



5769185

OVERLAP OPERATIONS

R&R exhaust system rearward of manifolds. 98-01 m 2.0

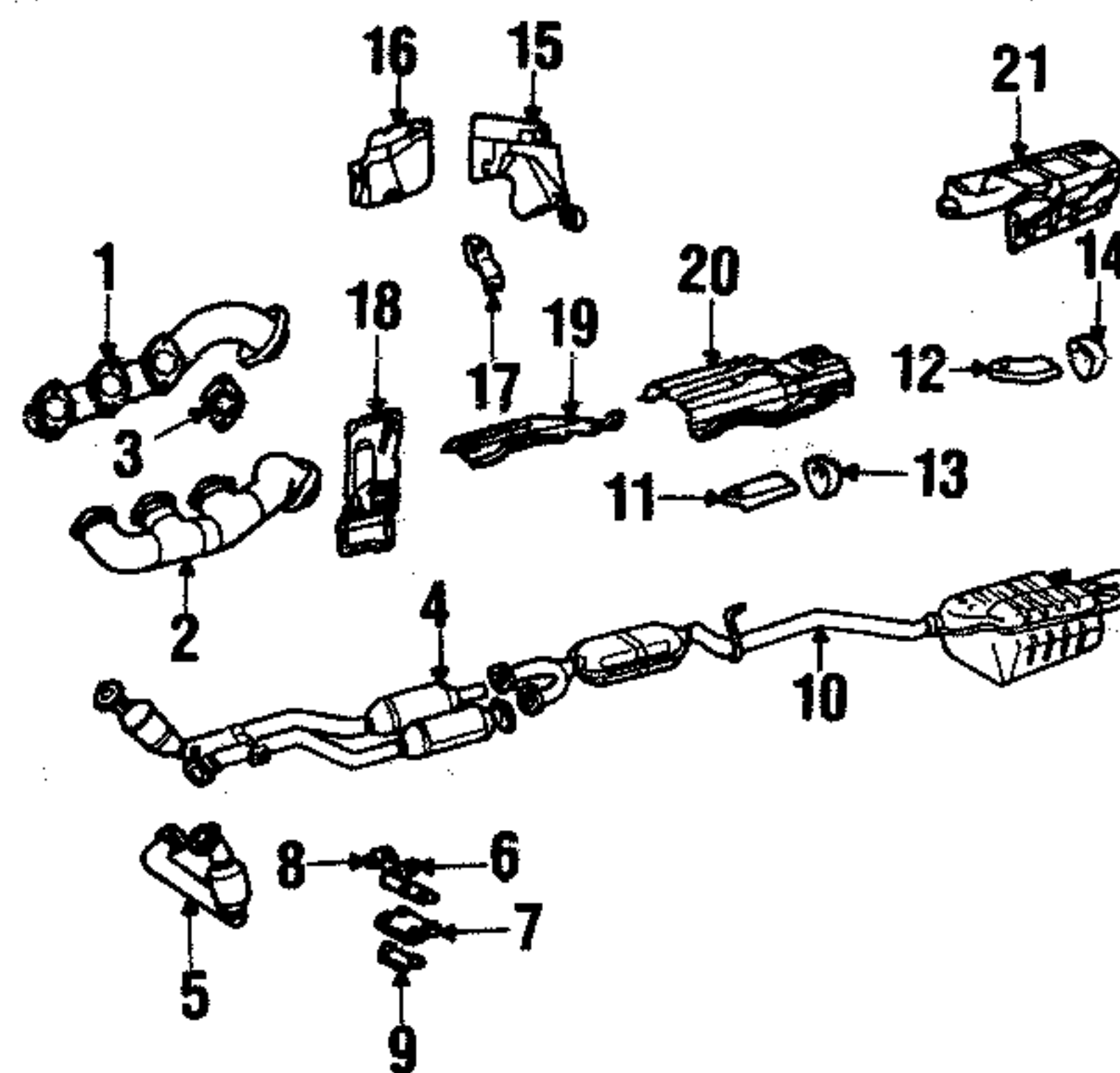
PARTS AND R&R OPERATIONS

1 Exhaust manifold	98-01R	186.00	m 3.0	112 140 16 09
	98-01L	186.00	m 5.7	112 140 15 09
2 gasket	98-01B	2.40		112 142 01 80
4 Front pipe	98-01R	1250.00	m 1.6	202 490 84 19
	98-01L	1250.00	m 1.3	202 490 83 19
6 bracket	98-01	14.50		202 492 37 41
7 pad	98-01	3.20		202 492 07 18
plate				
8 upper	98-01	3.50		129 490 00 44
9 lower	98-01	3.20		202 492 00 18

10 Muffler & pipe	98-01	680.00	m 1.0	208 490 03 21
11 front bracket	98-01	1.20		202 492 21 41
12 rear bracket	98-01	1.20		202 492 22 41
insulator				
13 front	98-01	2.70		202 492 03 44
14 rear	98-01	3.20		202 492 06 44
15 Tailpipe extn	98-01	39.50#	0.3	208 492 00 14
Heat shield				
16 at dash panel	98-01R	18.50		202 682 04 71
	98-01L	22.00		202 682 20 71
17 at front rail	98-01R	5.25		202 682 05 71
	98-01L	22.00		202 682 19 71
18 right control arm	98-01	2.50		202 682 12 71
19 left wheelhouse	98-01	4.20		202 682 33 71
20 front pipe	98-01	14.50		202 682 02 71
21 converter	98-01	22.00		202 682 01 71
22 muffler	98-01	37.00		208 682 00 71

PARTS: Part is included with muffler & pipe.

EXHAUST SYSTEM 4.3 LITER



5769187

EXHAUST COMPONENTS

COUPE

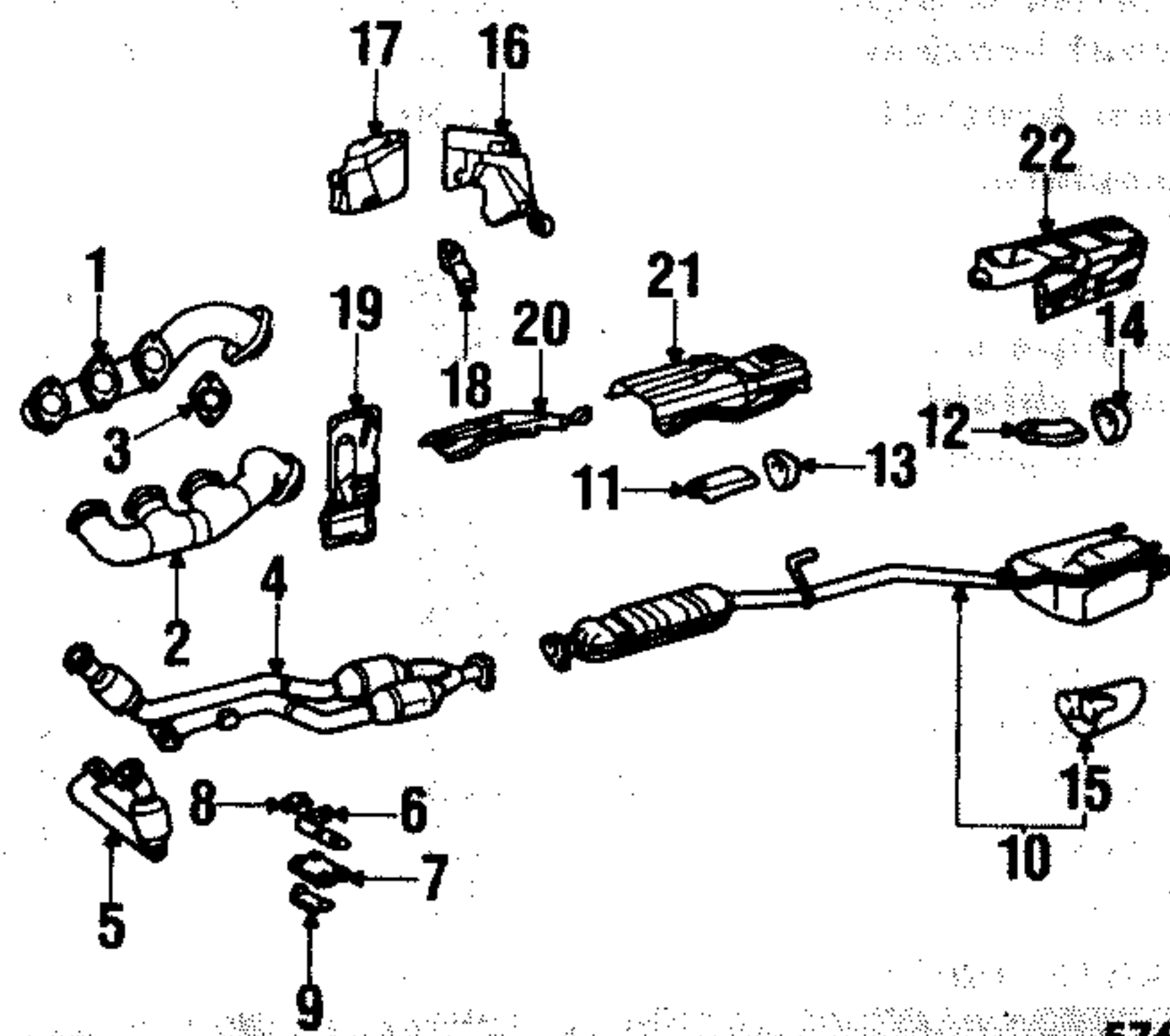
OVERLAP OPERATIONS

R&R exhaust system rearward of manifolds. 99-01 m 2.0

PARTS AND R&R OPERATIONS

1 Exhaust manifold	99-01R	434.00	m 3.0	113 140 16 09
	99-01L	416.00	m 3.6	113 140 15 09
2 gasket	99-01B	2.40		112 142 01 80
4 Front pipe	99-01R	1570.00	m 1.6	208 490 05 19
	99-01L	865.00	m 1.6	208 490 04 19
6 bracket	99-01	14.50		202 492 37 41
7 pad	99-01	3.20		202 492 07 18
plate				
8 upper	99-01	3.50		129 490 00 44
9 lower	99-01	3.20		202 492 00 18
10 Muffler & pipe	99-01	595.00	m 1.3	208 490 04 21
11 front bracket	99-01	1.20		202 492 21 41
12 rear bracket	99-01	1.20		202 492 22 41
insulator				
13 front	99-01	2.70		202 492 03 44
14 rear	99-01R	3.20		202 492 06 44
	99-01L	2.70		202 492 03 44
Heat shield				
15 at dash panel	99-01R	18.50		202 682 04 71
	99-01L	22.00		202 682 20 71
16 at front rail	99-01R	5.25		202 682 05 71
	99-01L	22.00		202 682 19 71
17 right control arm	99-01	2.50		202 682 12 71
18 left wheelhouse	99-01	4.20		202 682 33 71
19 front pipe	99-01	14.50		202 682 02 71
20 converter	99-01	22.00		202 682 01 71
21 muffler	99-01	37.00		208 682 00 71

CONTINUED



5769188

**EXHAUST SYSTEM
4.3 LITER (CONT)**

**EXHAUST COMPONENTS
CONVERTIBLE
OVERLAP OPERATIONS**

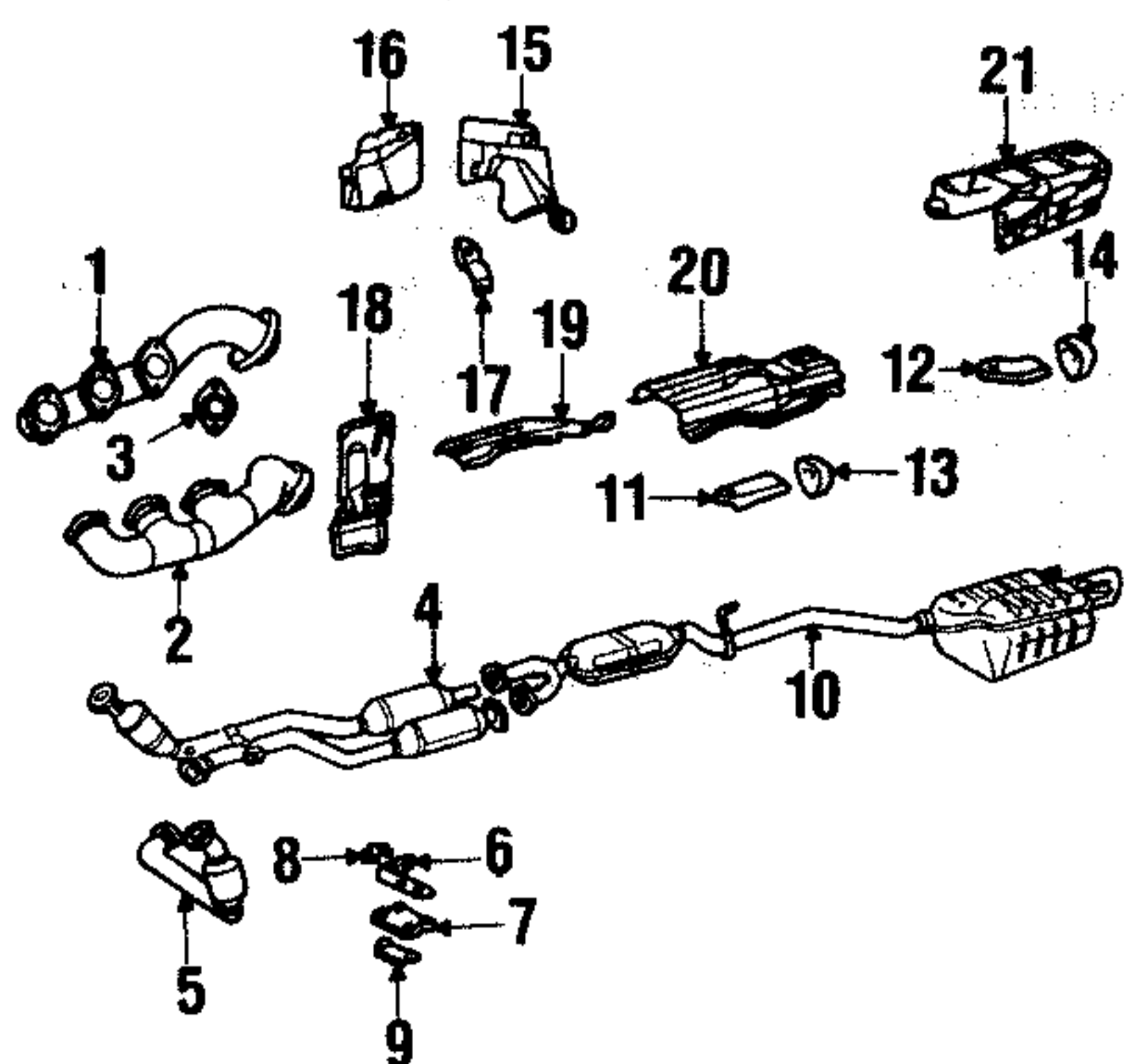
R&R exhaust system rearward of manifolds.....00-01 m 2.0

PARTS AND R&R OPERATIONS

1 Exhaust manifold	00-01R	434.00		113 140 16 09
2 gasket	00-01L	416.00		113 140 15 09
3 gasket	00-01B	2.40		112 142 01 80
4 Front pipe				
to 6/99	00 R	1570.00	m 1.6	208 490 05 19
5 from 6/99	00 L	865.00	m 1.6	208 490 04 19
	00-01R	1980.00	m 1.6	208 490 20 19
	00-01L	865.00	m 1.6	208 490 04 19
6 bracket	00-01	14.50		202 492 37 41
7 pad	00-01	3.20		202 492 07 18
8 plate				
upper	00-01	3.50		129 490 00 44
9 lower	00-01	3.20		202 492 00 18
10 Muffler & pipe				
to 6/99	00	595.00	m 1.3	208 490 04 21
from 6/99	00-01	560.00	m 1.3	208 490 05 21
11 front bracket	00-01	1.20		202 492 21 41
12 rear bracket	00-01	1.20		202 492 22 41
13 insulator				
front	00-01	2.70		202 492 03 44
14 rear	00-01R	3.20		202 492 06 44
	00-01L	2.70		202 492 03 44
15 Tailpipe extn	00-01	92.00#	0.3	208 492 02 14
16 Heat shield				
at dash panel	00-01R	18.50		202 682 04 71
	00-01L	22.00		202 682 20 71
17 at front rail	00-01R	5.25		202 682 05 71
	00-01L	22.00		202 682 19 71
18 right control arm	00-01	2.50		202 682 12 71
19 left wheelhouse	00-01	4.20		202 682 33 71
20 front pipe	00-01	14.50		202 682 02 71
21 converter	00-01	22.00		202 682 01 71
22 muffler	00-01	37.00		208 682 00 71

PARTS: Part is included with muffler & pipe.

**EXHAUST SYSTEM
5.5 LITER**



5769620

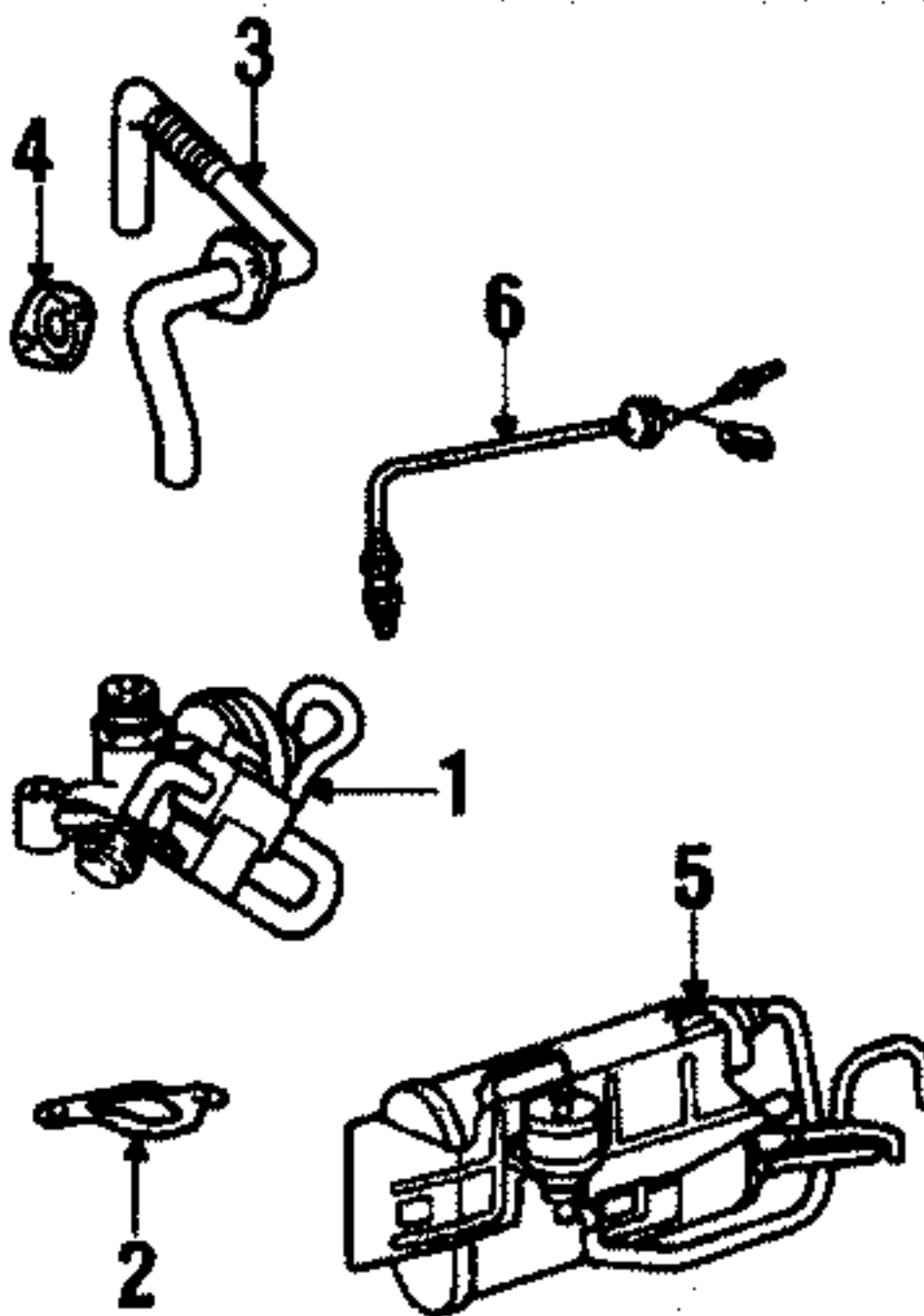
**EXHAUST COMPONENTS
COUPE
OVERLAP OPERATIONS**

R&R exhaust system rearward of manifolds.....99-00 m 2.0

PARTS AND R&R OPERATIONS

1 Exhaust manifold	01 R	434.00		113 140 16 09
2 gasket	01 L	416.00		113 140 15 09
3 gasket	01 B	2.40		112 142 01 80
4 Front pipe	01 R	2680.00	m 1.6	208 490 28 19
5	01 L	2680.00	m 1.6	208 490 29 19
6 bracket	01	14.50		202 492 37 41
7 pad	01	3.20		202 492 07 18
8 plate				
upper	01	3.50		129 490 00 44
9 lower	01	3.20		202 492 00 18
10 Muffler & pipe	01	478.00	m 1.3	208 490 07 21
11 front bracket	01	1.20		202 492 21 41
12 rear bracket	01	1.20		202 492 22 41
13 insulator				
front	01	6.50		202 492 04 44
14 rear	01 B	6.50		202 492 04 44
15 Heat shield				
at dash panel	01 R	18.50		202 682 04 71
	01 L	22.00		202 682 20 71
16 at front rail	01 R	5.25		202 682 05 71
	01 L	22.00		202 682 19 71
17 right control arm	01	2.50		202 682 12 71
18 left wheelhouse	01	4.20		202 682 33 71
19 front pipe	01	14.50		202 682 02 71
20 converter	01	22.00		202 682 01 71
21 muffler	01	37.00		208 682 00 71

EMISSION SYSTEM



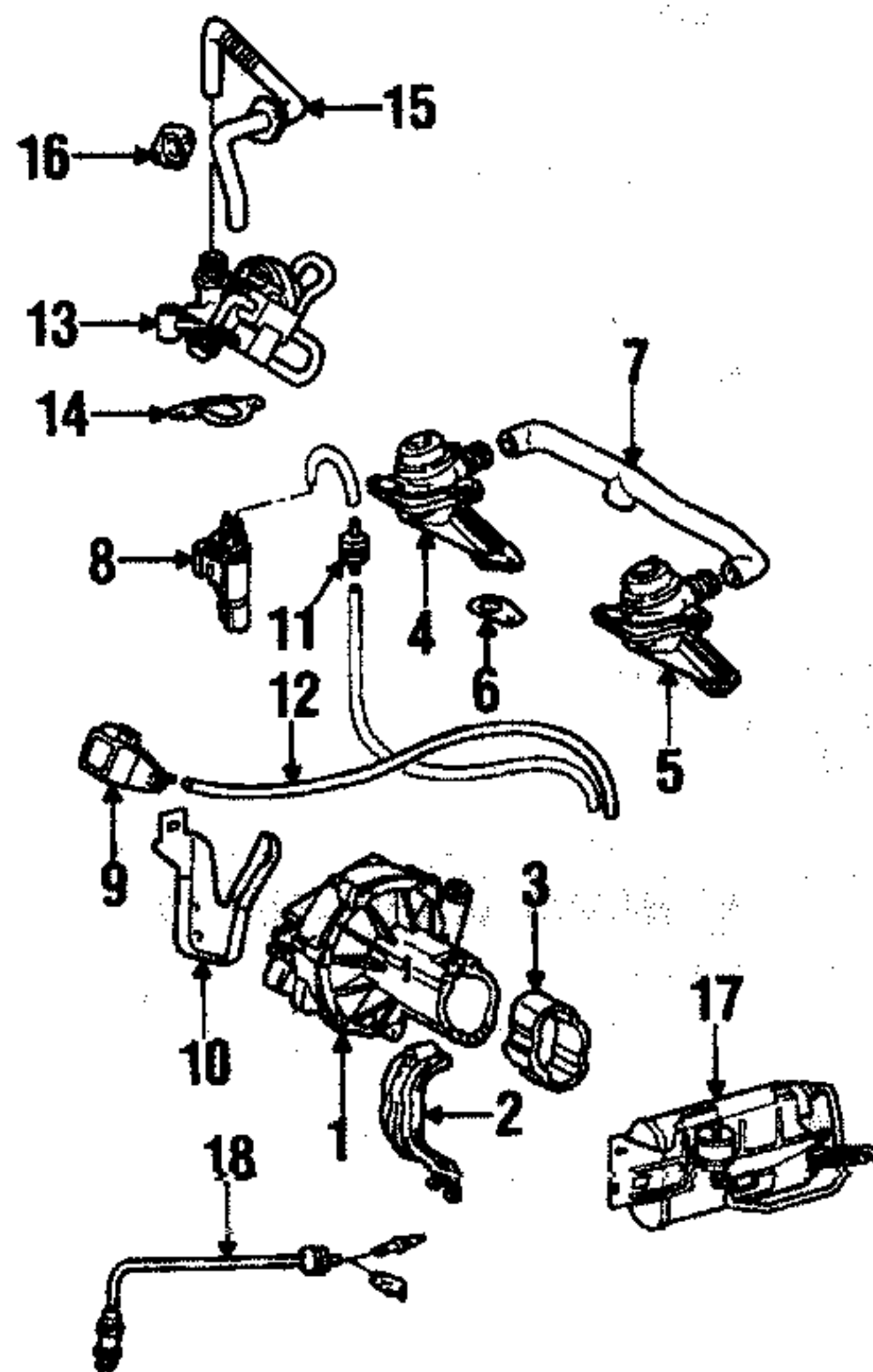
5769190

PARTS AND R&R OPERATIONS

**EMISSION COMPONENTS
FEDERAL**

1 EGR valve	98-01	71.00	m 0.3	112 140 00 60
2 gasket	98-01	1.90		112 142 02 80
3 EGR pipe	98-01	70.00	m 0.2	112 140 01 08
4 gasket	98-01	1.90		112 141 03 80
5 Vapor canister				
coupe	98-01	308.00#	m 0.7	202 470 15 59
convertible				
3.2 liter	99-01	308.00#	m 0.7	208 470 03 59
4.3 liter	00-01	328.00#	m 0.7	202 470 14 59
6 Oxygen sensor				
front	98-01R	122.00	m 0.5	001 540 10 17
	98-01L	122.00	m 0.5	001 540 08 17
rear	98-01R	122.00	m 0.5	001 540 11 17
	98-01L	122.00	m 0.5	001 540 12 17

PARTS: Order by description.



5769195

EMISSION COMPONENTS

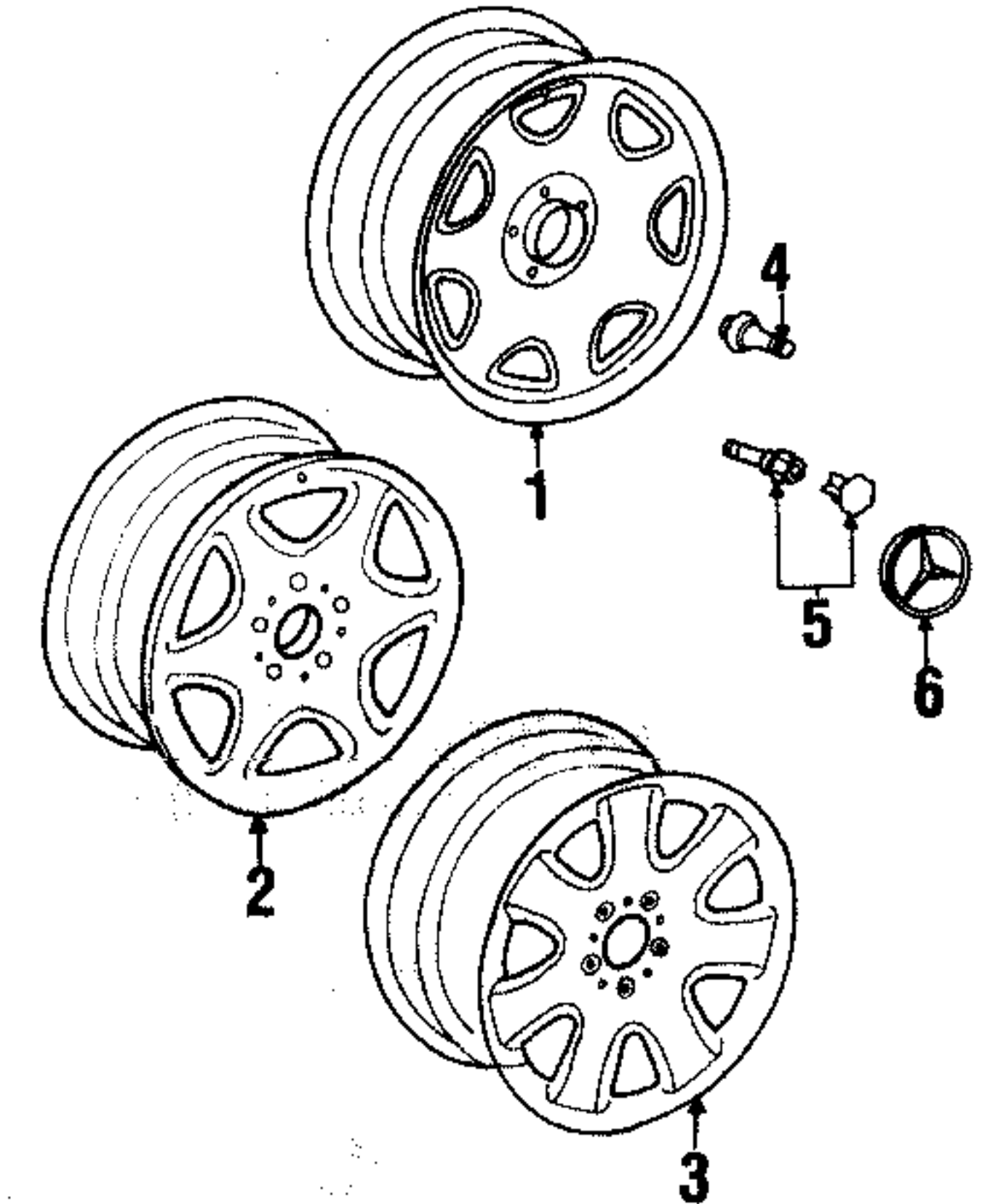
CALIFORNIA

1 Air pump	98-01	382.00	m 1.0	000 140 37 85
2 bracket	98-01	5.25		112 237 02 40
3 buffer	98-01	11.50		112 237 00 12
4 Shut-off valve	98-01R	56.00		002 140 36 60
5	98-01L	56.00		002 140 35 60
6 gasket	98-01B	1.00		112 238 00 80
7 Connector hose	98-01	7.00		112 238 00 82
8 Valve				
changeover	98-01	17.50		002 540 14 97
9 Pressure sensor	98-01	60.00		011 542 06 17
10 mount bracket	98-01	4.50		112 237 01 40
11 Check valve	98-01	13.00		001 140 66 60
12 Vacuum hose	98-01	4.00#		117 997 09 82
13 EGR valve	98-01	71.00	m 0.7	112 140 00 60
14 gasket	98-01	1.90		112 142 02 80
15 EGR pipe	98-01	70.00	m 0.7	112 140 01 08
16 gasket	98-01	1.90		112 141 03 80
17 Vapor canister				
coupe	98-01	308.00#	m 0.7	202 470 15 59
convertible				
3.2 liter	99-01	248.00#	m 0.7	208 470 01 59
4.3 liter	00-01	204.00#	m 0.7	202 470 03 59
18 Oxygen sensor				
front	98-01R	122.00	m 0.5	001 540 10 17
	98-01L	122.00	m 0.5	001 540 08 17
rear	98-01R	122.00	m 0.5	001 540 11 17
	98-01L	122.00	m 0.5	001 540 12 17

PARTS: Listing is for bulk hose. Order by length & description.

1 PARTS: Order by description.

WHEELS



5769200

R&I OPERATIONS

R&I wheel.....98-01 m 0.1

PARTS AND R&R OPERATIONS

WHEELS

1 Wheel, alloy				
type 1				
3.2 liter	98-01	268.00#	m 0.3	664 705 21
2 type 2				
front	98-01	250.00#	m 0.3	664 705 23
rear	98-01	268.00#	m 0.3	664 705 26
3 type 3				
3.2 liter	00-01	#	m 0.3	208 401 07 02
4.3 & 5.5 liter	00-01	#	m 0.3	208 401 09 02
Spare wheel				
3.2 liter	98-01	336.00		208 400 01 02
4.3 & 5.5 liter	99-01	370.00		210 400 11 02
4 Valve stem	98-01	2.10		000 400 02 13
5 Wheel belt				
3.2 liter	98-01	2.90		170 400 00 70
4.3 & 5.5 liter	99-01	3.90		202 400 00 70
6 Center cap	98-01	6.25		201 400 04 25

LABOR: Add for balance, weights, and valve stem.

FRONT SUSPENSION

ADD IF REQUIRED

Wheel alignment				
align front wheels	98-01		m 1.5	
adjust toe-in	98-01		m 0.9	
align four wheels	98-01		m 2.5	
Bleed brake system	98-01		m 0.5	

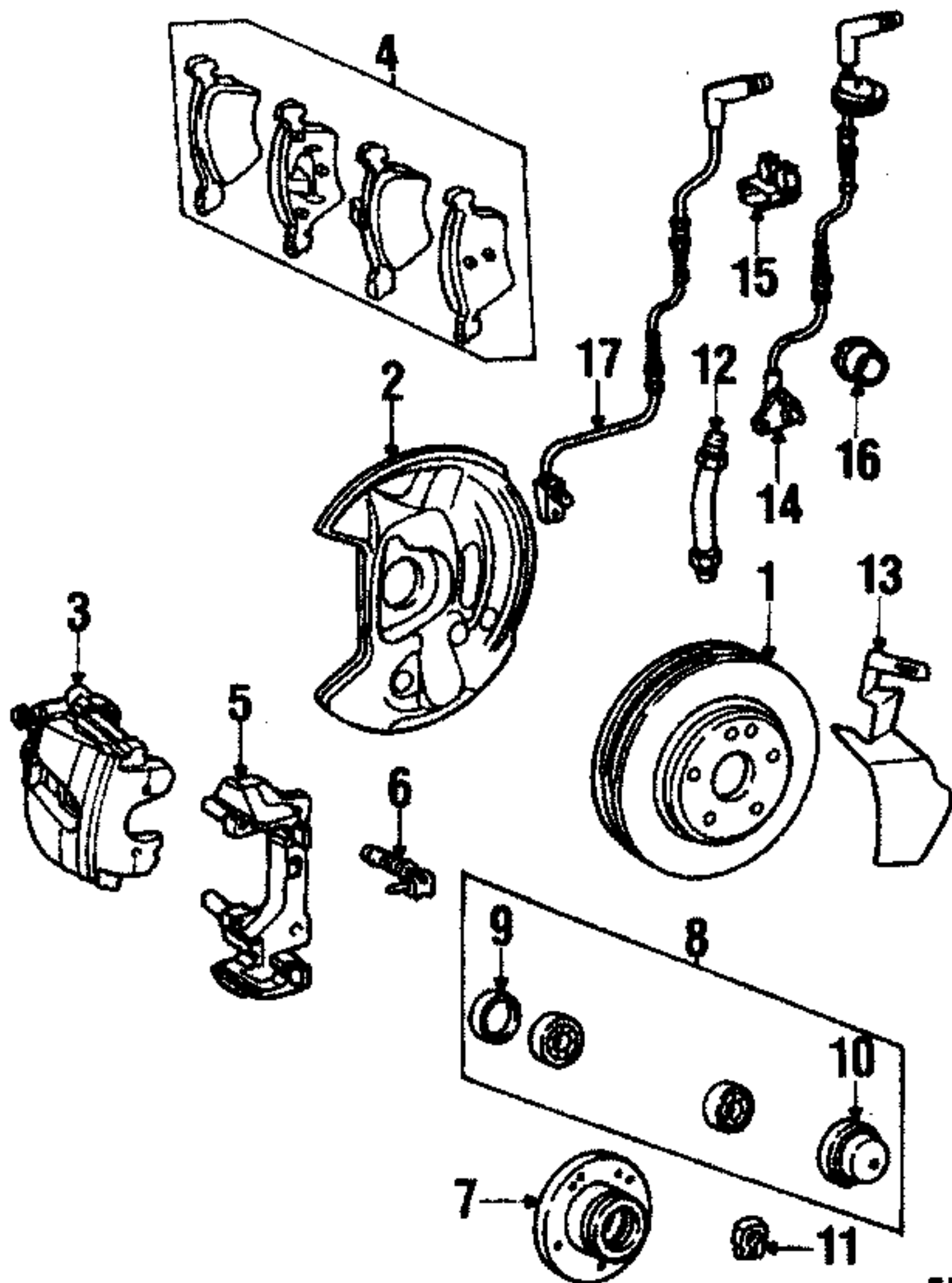
OVERHAUL OPERATIONS

O/H suspension				
one side	98-01		m 4.0	
both sides	98-01		m 7.8	

R&I OPERATIONS

R&I suspension			
one side	98-01	m 3.0	
both sides	98-01	m 5.8	

PARTS AND R&R OPERATIONS

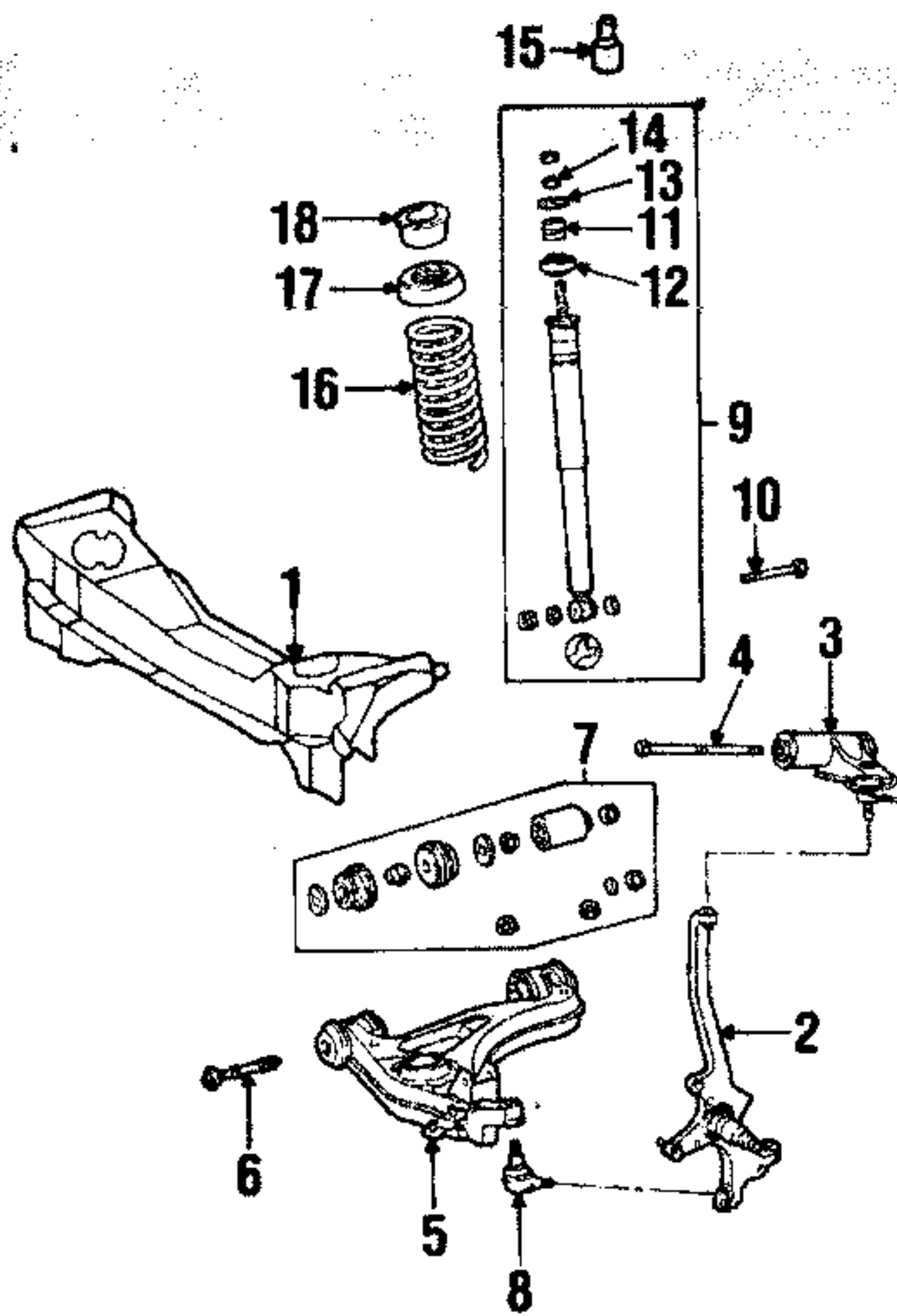


5769205

BRAKE COMPONENTS

1 Brake rotor				
w/o CLK55 AMG	98-01B	87.00	m 1.0	210 421 22 12
w/CLK55 AMG	01 R	368.00	m 1.0	210 421 19 12
	01 L	368.00	m 1.0	210 421 18 12
2 Splash shield				
w/o CLK55 AMG	98-01R	12.50#	m 0.3	210 421 11 20
	98-01L	14.00#	m 0.3	210 421 10 20
w/CLK55 AMG	01 R	89.00#	m 0.3	210 421 25 20
	01 L	83.00#	m 0.3	210 421 24 20
3 Caliper				
w/o CLK55 AMG	98-01R	258.00	m 1.0	001 420 32 83
	98-01L	270.00	m 1.0	001 420 31 83
w/CLK55 AMG	01 R		m 1.0	210 421 02 98
	01 L		m 1.0	210 421 01 98
4 Brake pads				
w/o CLK55 AMG	98-01B	74.00		002 420 50 20
w/CLK55 AMG	01 B			210 420 01 20
5 Caliper support	98-01B	123.00		003 420 05 15
6 Wear indicator				
w/o CLK55 AMG	98-01B	4.50		126 540 20 17
w/CLK55 AMG	01 B	4.20		210 540 11 17
7 Hub	98-01B	139.00	m 2.5	210 330 03 25
8 Bearing assy.	98-01B	58.00	m 1.3	210 330 00 51
9 seal	98-01B	15.00†		019 997 88 47
10 Grease cap	98-01B	2.50†		210 357 02 89
11 Lock nut	98-01B	22.00		116 334 03 72
12 Brake hose	98-01B	32.00	m 0.6	202 428 07 35
13 bracket	98-01R	4.80		210 421 08 94
	98-01L	5.00		210 421 07 94
14 ABS sensor				
w/o ESP	98-99R	72.00	m 0.8	202 540 24 17
	98-99L	72.00	m 0.8	202 540 23 17
w/ESP	98-01R	105.00	m 0.8	202 540 21 17
	98-01L	105.00	m 0.8	202 540 20 17
15 bracket	98-01R	1.20		124 546 15 43
	98-01L	1.20		124 546 14 43
16 Sleeve	98-01B	.50		210 992 00 20
17 Harness				
wear indicator				
w/o CLK55 AMG	98-01B	23.50		202 540 06 34
w/CLK55 AMG	01 B			202 540 81 08

LABOR: After rotor and hub are removed.
† **PARTS:** Part included in bearing assembly.

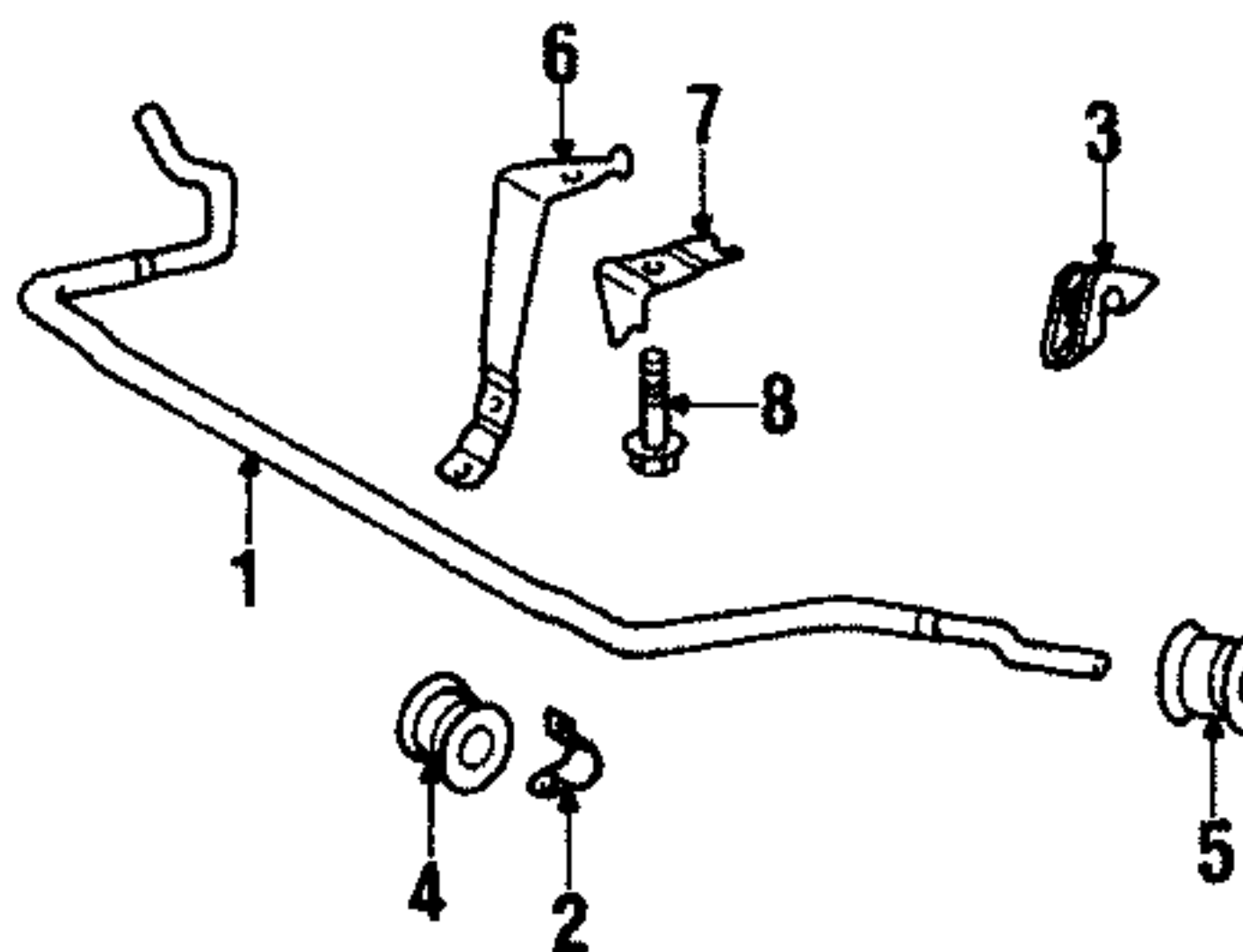


5769210

SUSPENSION COMPONENTS

1 Susp crossmember	98-01	146.00†	s 6.0	202 620 35 86
2 Steering knuckle	98-01R	242.00	m 3.5	202 330 01 20
	98-01L	242.00	m 3.5	202 330 00 20
3 Upper cntrl arm				
w/o Sport suspension	98-01R	202.00	m 1.0	202 330 49 07
	98-01L	175.00	m 1.0	202 330 48 07
w/Sport suspension	98-01R	202.00	m 1.0	210 330 88 07
	98-01L	202.00	m 1.0	210 330 87 07
4 belt	98-01B	3.20		202 990 31 01
5 Lower cntrl arm				
w/o CLK55 AMG	98-01R	394.00	m 2.0	202 330 52 07
	98-01L	394.00	m 2.0	202 330 51 07
w/CLK55 AMG	01 R	394.00	m 2.0	170 330 02 07
	01 L	394.00	m 2.0	170 330 01 07
6 belt assy	98-01B	3.20		202 333 05 71
7 Bushing kit				
w/o CLK55 AMG	98-01B	90.00		208 330 00 75
w/CLK55 AMG	01 B	57.00		208 330 01 75
8 Lower ball joint	98-01B	52.00†	m 0.4	210 330 00 35
9 Shock assy				
coupe	98 B	170.00#	m 1.2	208 320 03 30
w/o CLK55 AMG	99-01B	137.00#	m 1.2	208 320 13 30
w/CLK55 AMG	01 B		# m 1.2	202 323 03 00
convertible	99-01B	172.00#	m 1.2	208 320 09 30
10 mount belt bumper	98-01B			304 017 01 0051
11 upper	98-01B	1.20†		202 326 01 68
12 lower	98-01B	1.50†		202 326 04 68
13 washer	98-01B	.85†		202 326 00 76
14 nut	98-01B	.70†		308 673 01 0000
15 Top cap	98-01B	.85		170 323 01 38
16 Spring				
w/o CLK55 AMG	98-01B	67.00#	m 1.3	210 321 12 04
w/CLK55 AMG	01 B	102.00#	m 1.3	210 321 32 04
17 upper insulator	98-01B	7.75#		210 321 05 84
18 Mount	98-01B	2.90		202 321 02 95

PARTS: Order by description.
† **PARTS:** Part is included in front inner structure, listed in the **FRONT STRUCTURAL COMPONENTS** group.
‡ **LABOR:** After lower control arm is removed.
‡ **PARTS:** Part is included in shock assembly.



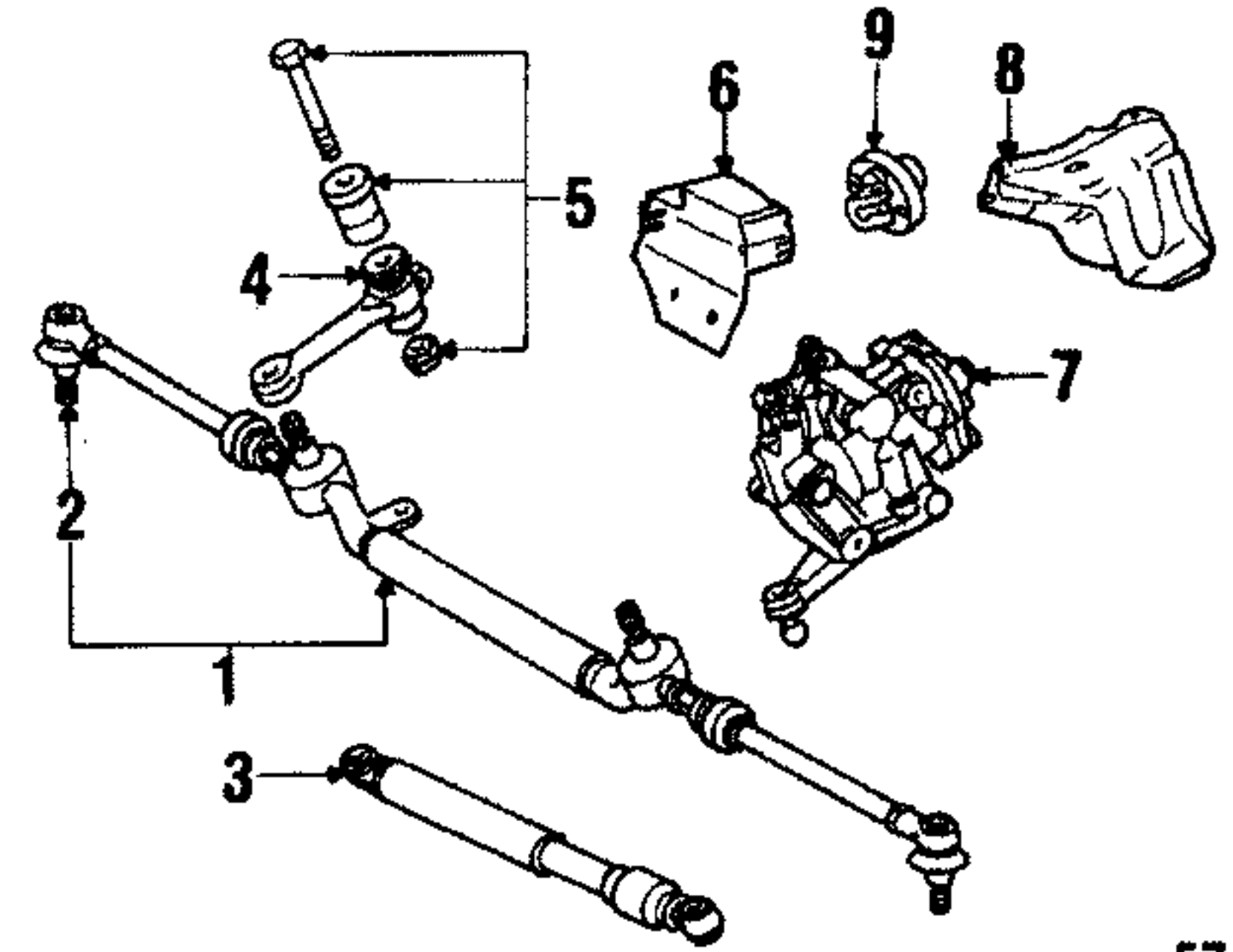
5769215

STABILIZER BAR & COMPONENTS

1 Stabilizer bar				
coupe, 3.2 liter				
w/o Sport susp.	98-01	97.00	m 1.1	202 323 52 65
w/Sport suspension	98-01	97.00	m 1.1	202 323 56 65
coupe, 4.3 liter				
w/o Sport susp.	99-01	97.00	m 1.1	202 323 56 65
w/Sport suspension	99-01		m 1.1	202 323 57 65
coupe, 5.5 liter	01	314.00	m 1.1	202 323 50 65
convertible				
w/o Sport suspension	99-01	97.00	m 1.1	202 323 56 65
w/Sport suspension	99-01		m 1.1	202 323 57 65

clamp				
to frame	98-01B	4.80		202 323 10 26
to control arm	98-01B	2.40		202 323 05 26
bushing				
to frame				
w/o Sport suspensio.	98-00B	6.50	1.1	124 323 57 85
w/Sport suspension	98-00B	6.50	1.1	124 323 47 85
to control arm	98-00B		0.5	124 323 23 85
6 Mount bracket				
w/o CLK55 AMG	98-01R	13.00		208 323 02 40
	98-01L	13.00		208 323 01 40
w/CLK55 AMG	01 R	17.00		210 323 22 40
	01 L	13.00		208 323 01 40
7 plate	98-01B	2.20		124 323 00 25
8 screw	98-01B	1.20		914 130 01 0206

STEERING GEAR & LINKAGE



5769220

R&I OPERATIONS

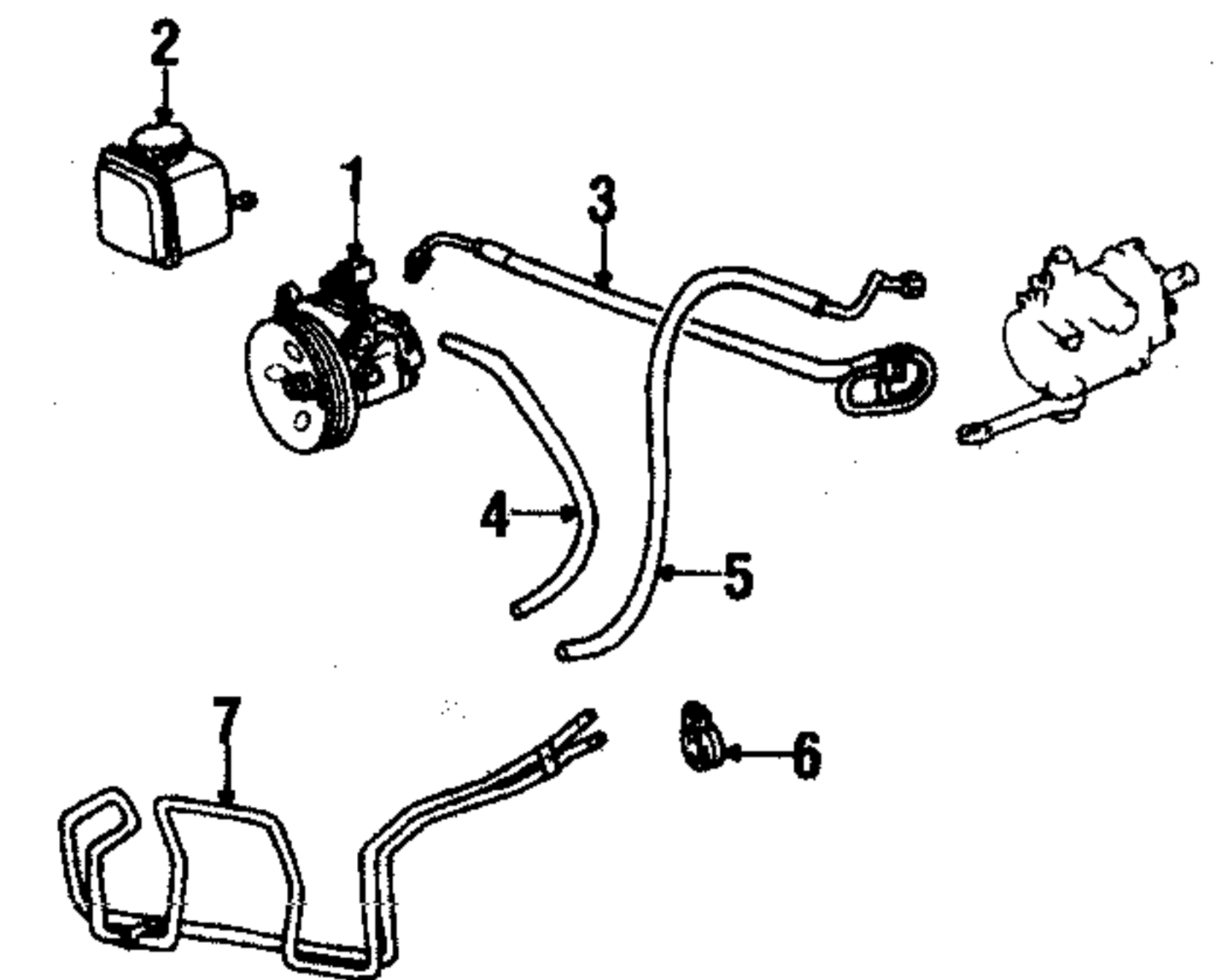
R&I steering gear	98-01	m 2.5	
------------------------------	-------	-------	--

PARTS AND R&R OPERATIONS

STEERING GEAR & LINKAGE

1 Linkage assy	98-01	258.00	m 0.5	202 460 05 05
2 Tie rod end	98-01B	35.00#		001 330 77 35
3 Steering damper	98-01	44.00	m 0.5	124 463 04 32
4 Idler arm	98-01	115.00	m 0.8	202 460 04 19
5 repair kit	98-01	30.00		202 460 03 19
6 cover	98-01	14.00		202 460 10 95
7 Steering gear				
w/pitman arm	98-01	2290.00	m 2.5=	202 460 35 00
8 cover	98-01	16.00		202 466 00 38
9 Coupling	98-01	187.00		202 460 02 10

PARTS: Part is included in linkage assembly.



5769225

PUMP & HOSES

OVERLAP OPERATIONS

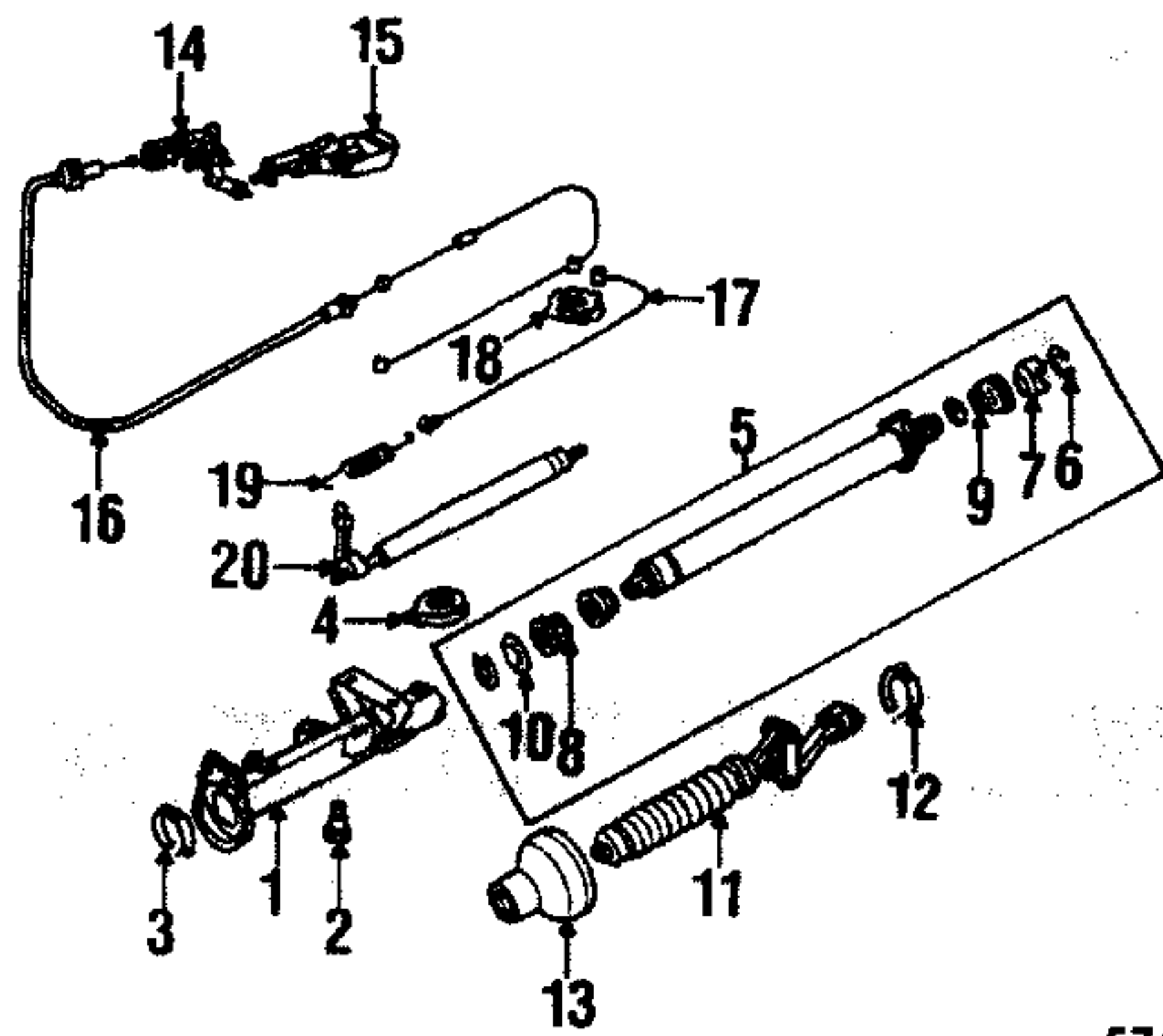
R&R p/s pump with belt off			
deduct	98-01	m 0.5	

PARTS AND R&R OPERATIONS

1 P/S pump	98-01	560.00†	m 2.5	002 466 24 01
2 Reservoir assy	98-01	24.00		000 460 01 83
3 Pressure hose				
3.2 liter	98-01	85.00	m 0.9	202 466 22 81
4.3 & 5.5 liter	99-01	83.00	m 0.9	202 466 46 81
4 Suction line				
3.2 liter	98-01	13.50	m 0.7	202 997 21 82
4.3 & 5.5 liter	99-01	13.50	m 0.7	202 997 32 82
5 Return hose				
3.2 liter	98-01	16.00	m 0.7	202 997 19 82
4.3 & 5.5 liter	99-01	33.50	m 0.7	202 997 40 82
6 hanger	98-01	1.40		916 016 01 8201
7 Cooling pipe				
3.2 liter	98-01	90.00	m 0.6	208 460 00 24
4.3 & 5.5 liter	99-01	94.00	m 0.6	208 460 02 24

PARTS: Order by description.

STEERING COLUMN



5769230

WARNING
Before repairing any air restraint system, the battery cables must be disconnected and any back-up power supply discharged for the time period stipulated by the vehicle manufacturer in order to prevent accidental deployment. NOTE: Wiring repairs should only be performed in accordance with vehicle manufacturer specifications.

OVERHAUL OPERATIONS

O/H steering column 98-01 m 4.5

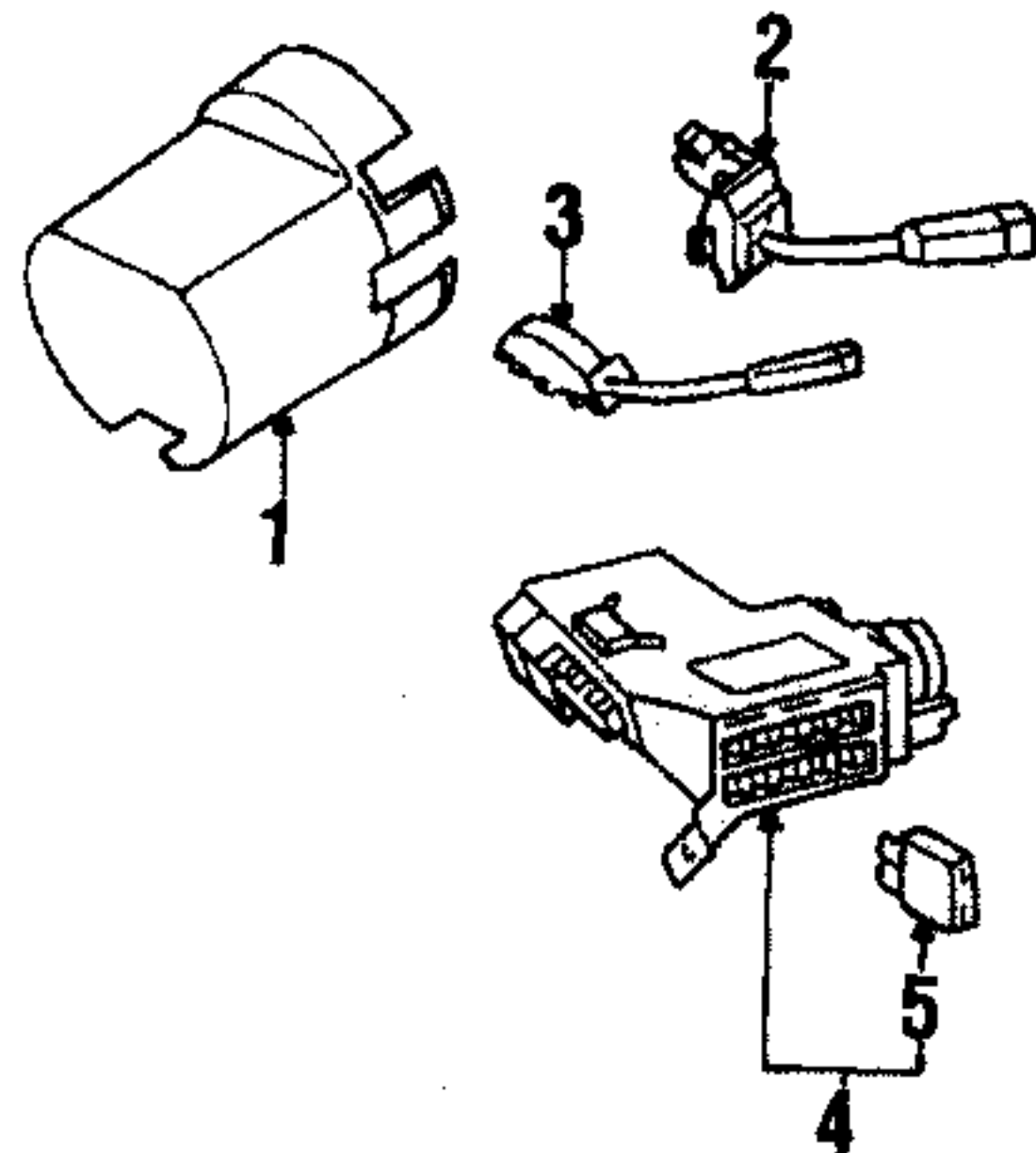
R&I OPERATIONS

R&I steering column 98-01 m 3.0

PARTS AND R&R OPERATIONS

STEERING COLUMN ASSEMBLY

1 Jacket	98-01	159.00	m 4.5	208 460 16 16
2 stud	98-01	2.00		140 462 00 70
3 ring	98-01	1.90		140 462 02 51
4 Washer	98-01	1.50		140 462 05 75
5 Shaft assy	98-01	372.00	m 4.5	208 460 13 16
6 snap ring				
upper	98-01	.50		912 009 02 5100
center	98-99	.50		000 994 65 40
lower	00-01			NOT LISTED
lower	98-01	1.00		900 055 02 5401
7 ring				
upper	98-01	1.00		140 462 07 51
lower	98-01	1.20		140 462 01 51
8 bearing	98-01	7.25		126 981 00 25
9 spring	98-01	1.00		126 993 13 26
11 Lower shaft	98-01	140.00		202 460 15 09
12 ring	98-01	2.20		202 462 00 51
13 Boot	98-01	6.50		202 462 02 96
14 Adjuster	98-01	27.00		170 460 01 46
15 Adjust handle	98-01	12.00		208 460 00 69
Cable				
16 #1	98-01	14.00		170 460 00 30
17 #2	98-01	3.50		202 462 00 90
18 washer	98-01	2.90		140 460 01 89
19 tension spring	98-01	1.50		202 993 06 10
20 Cylinder	98-01	79.00		202 462 02 82



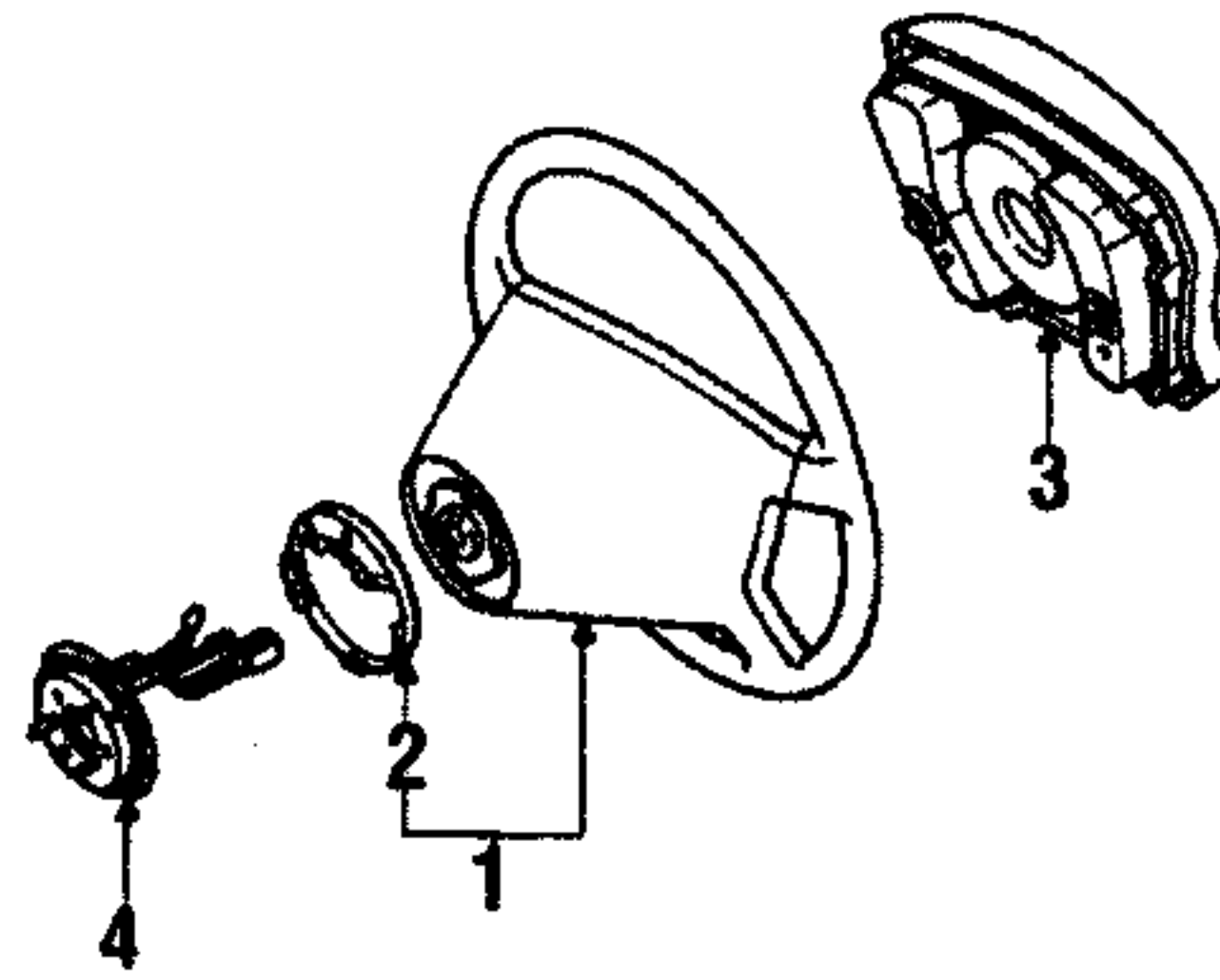
5769235

SHROUD, SWITCHES & LEVERS

1 Column cover				
anthracite	98-99	14.50	1.2	208 462 02 239B51
00-01		14.00	1.2	208 462 04 239B51
quartz	98-99	14.50	1.2	208 462 02 238G91
00-01		14.00	1.2	208 462 04 238G91
gray	98-99	14.50	1.2	208 462 02 237D53
00-01		14.00	1.2	208 462 04 237D53
2 Signal switch	98-99	82.00	m 1.8	208 545 00 10
00-01		82.00	m 1.8	210 545 01 10
3 Cruise switch	98-99	55.00	m 1.0	208 545 02 24
00-01		95.00	m 1.0	210 545 02 24
4 Light switch	98-01	320.00		210 545 16 04
5 Fuse				
7.5 amp	98-01	0.50		002 545 08 34
15 amp	98-01	.50		002 545 10 34

† PARTS: Part is included with light switch.

STEERING WHEEL



5769240

WARNING

Before repairing any air restraint system, the battery cables must be disconnected and any back-up power supply discharged for the time period stipulated by the vehicle manufacturer in order to prevent accidental deployment. NOTE: Wiring repairs should only be performed in accordance with vehicle manufacturer specifications.

PARTS AND R&R OPERATIONS

STEERING WHEEL & TRIM

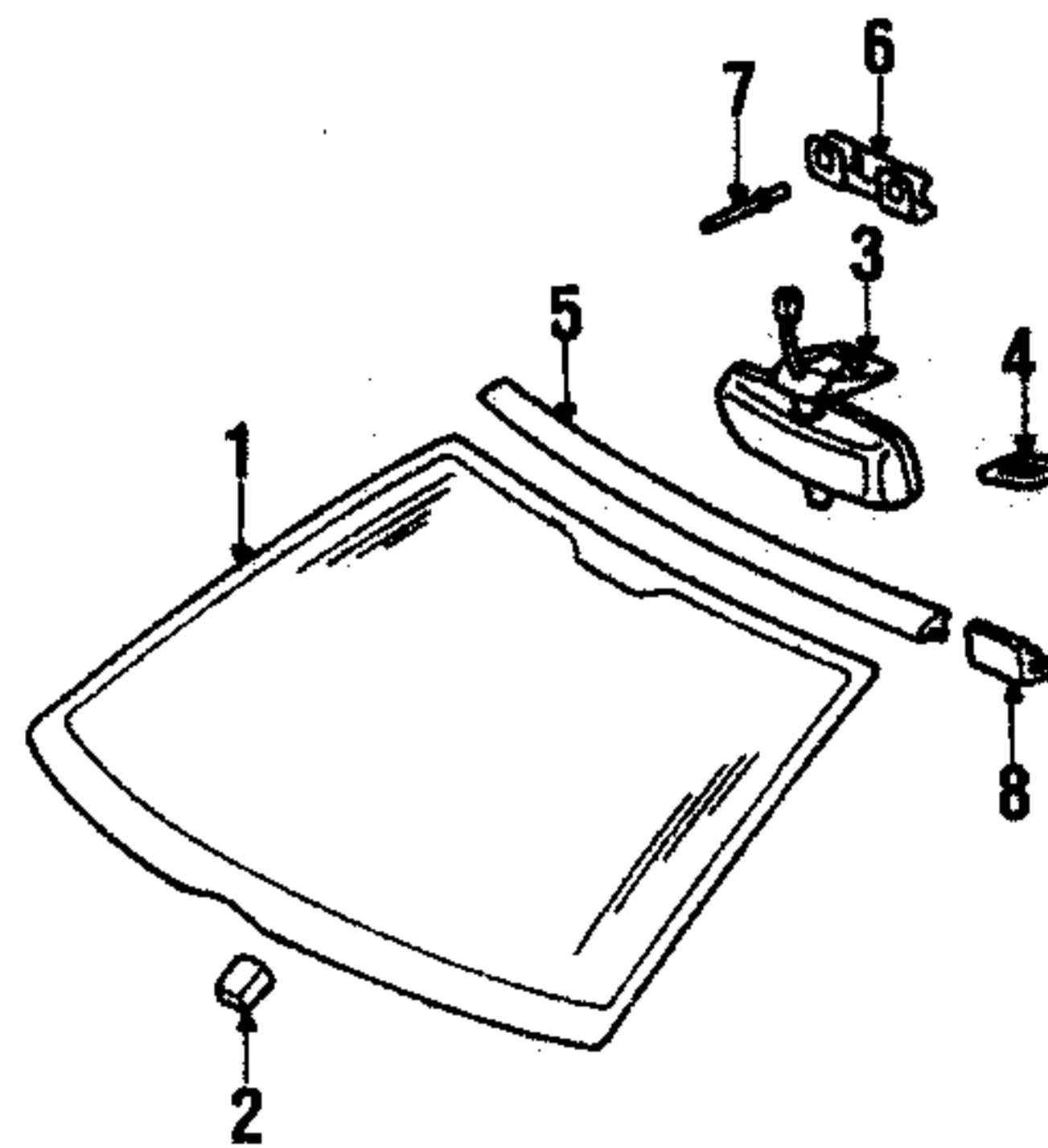
1 Steering wheel				
leather, standard w/o AMG				
anthracite	98-99	468.00	¶ m 0.6	170 460 01 039B50
00-01		620.00	¶ m 0.6	210 460 02 039C29
quartz	98-99		¶ m 0.6	170 460 01 038H27
00-01		620.00	¶ m 0.6	210 460 02 038H83
gray	98-99	468.00	¶ m 0.6	170 460 01 037E04
00-01		620.00	¶ m 0.6	210 460 02 037E36
leather, standard w/AMG				
anthracite	01	1570.00	¶ m 0.6	210 460 14 039C29
blue	01	1570.00	¶ m 0.6	210 460 14 035C33
gray	01	1570.00	¶ m 0.6	210 460 14 037D61
leather, designo	98-99		¶ m 0.6	170 460 16 035B83
w/o AMG	00-01		¶ m 0.6	210 460 09 035B83
w/AMG	01		¶ m 0.6	208 460 00 035B83
wood w/o leather				
curly ahorn	98-99		¶ m 0.6	140 460 61 035B89
00-01				NOT LISTED
magic eyes	98-99		¶ m 0.6	140 460 56 035B89
00-01				NOT LISTED
wood w/leather				
curly ahorn	00-01	3420.00	¶ m 0.6	210 460 12 038H39
2 Contact ring	98-99	5.75	†	140 464 29 28
00-01				NOT LISTED
3 Air bag module	98-01		# m 0.5	SEE FOOTNOTE
4 Clockspring	98-01		#	SEE FOOTNOTE

PARTS: Listed in the RESTRAINT SYSTEMS group.

¶ PARTS: Order by color and description.

† PARTS: Part is included with steering wheel.

WINDSHIELD COUPE



5769245

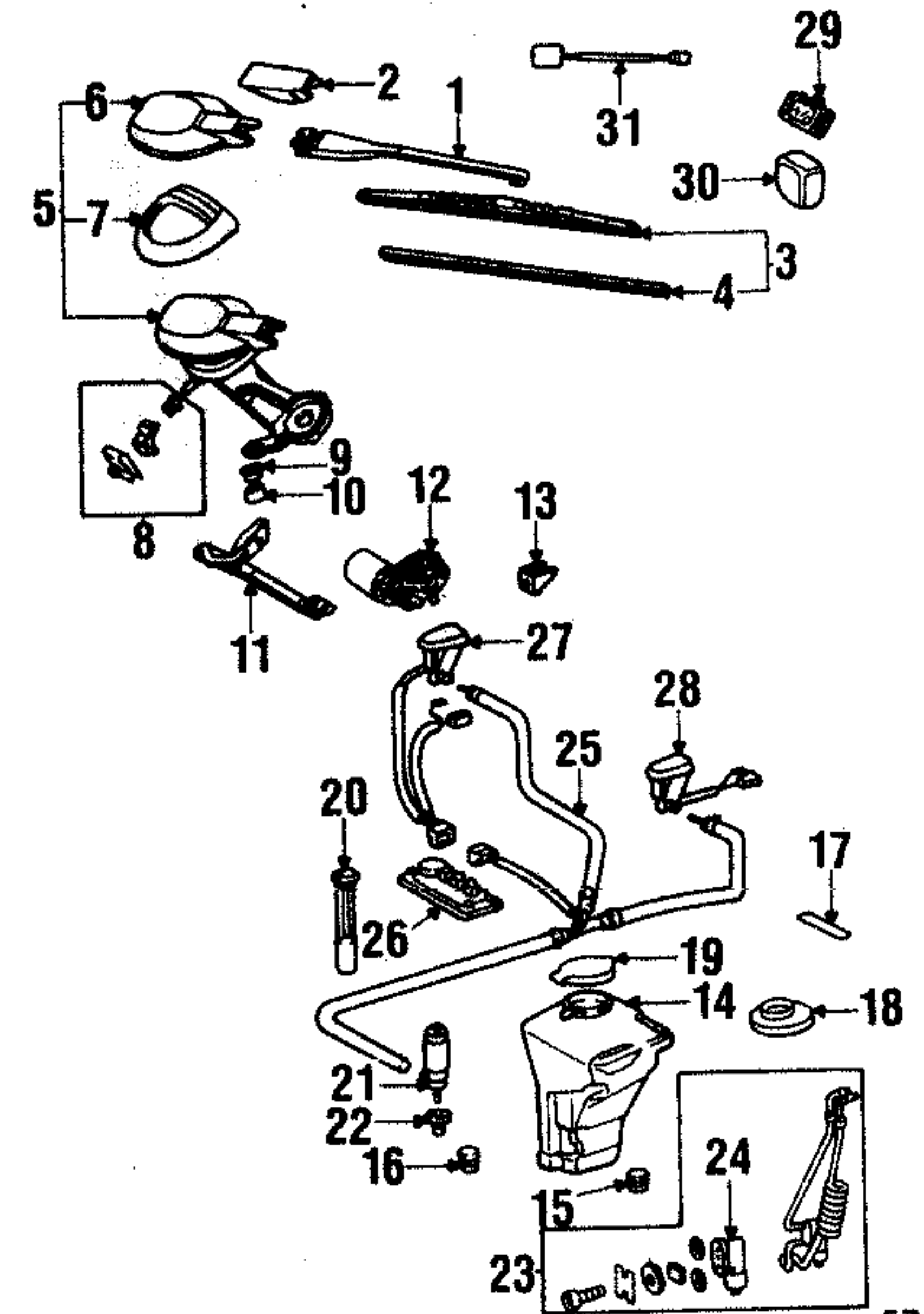
GLASS

1 Glass				
Mercedes, green				
w/o rain sensor	98-01	326.00	¶ 4.0	208 671 02 10
w/rain sensor	98-01	342.00	¶ 4.0	208 670 02 01
NAGS				
w/o rain sens	98-01	620.20	¶ 4.0	FW02079GYN
w/rain sensor	98-01	668.70	¶ 4.0	FW02078GYN
urethane kit	98-01	90.00		210 670 02 93
2 support	98-01	.70		210 671 03 97
3 Mirror inside				
anthracite, gray	99-01	835.00	0.5	208 810 06 177D43
quartz	99-01	835.00	0.5	208 810 06 178G69
4 plate	98-01	10.50		124 810 07 11
REVEAL MOLDINGS				
5 Upper molding	98-01	52.00	# 1.0	208 670 03 22
6 clip	98-01	.70		124 988 98 78

7 rivet	98-01	.40		910 001 00 3101
8 spacer	98-01	.70		210 671 00 12

LABOR: Time includes side pillar trim.

¶ PARTS: Order by description.



5769252

WIPER & WASHER COMPONENTS

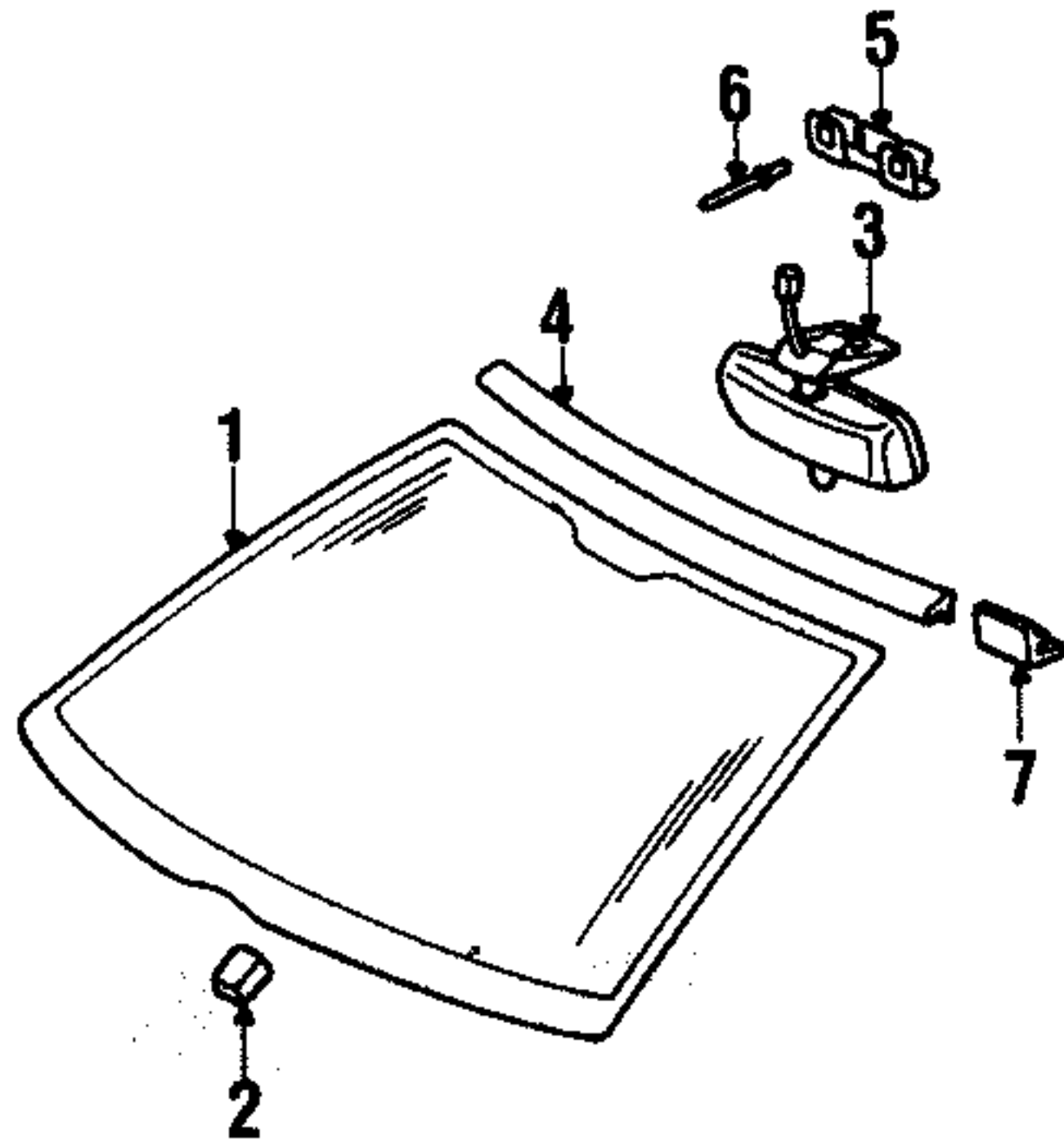
1 Wiper arm	98-01	62.00	0.3	124 820 43 44
2 cap	98-01	7.75		124 824 03 49
3 Blade	98-01	34.00	0.2	124 820 09 459123
4 Insert	98-01	11.00	# 0.2	208 820 00 45
5 Transmission	98-01	388.00		210 820 00 07
6 cap	98-01	11.50	¶	210 824 00 49
7 seal	98-01	9.75	¶	124 824 00 98
8 bracket assy	98-01	2.90		208 820 00 14
9 sleeve	98-01	1.00		000 824 34 99
10 bearing	98-01	4.35		208 824 00 20
11 Linkage	98-01	64.00		210 820 00 41
12 Wiper motor	98-01	166.00	m 1.5	210 820 17 42
13 bracket	98-01	1.40		202 831 00 14
14 Washer reservoir	98-01	35.00	0.3	208 869 01 20
15 grommet	98-01	.85		115 997 06 81
16 plug				
w/o headlamp washer	98-01	.85		210 987 00 45
17 holder	98-01	.70		126 869 02 14
18 cover	98-01	2.20		210 869 03 08
19 cap	98-01	2.40		123 869 01 72
20 Level sensor	98-01	24.00		210 540 00 45
21 Washer pump	98-01	21.00	m 0.3	210 869 08 21
22 grommet	98-01	.70		123 997 36 81
23 Heating unit	98-01	132.00	0.3	202 830 02 61
24 valve	98-01	22.00	†	126 830 07 84
25 Washer hose	98-01	97.00		208 860 02 92
26 Plate	98-01	22.00		126 820 11 11
27 Nozzle	98-01R	33.50	0.2	208 860 11 47
28	98-01L	33.50	0.2	208 860 12 47
29 Rain sensor	98-01	160.00	0.5	210 820 57 10
30 cover				
coupe	98-01	2.70		210 822 00 40
31 Sensor harness	98-01	8.75		208 540 56 08

PARTS: Part is included with wiper blade.

¶ PARTS: Part is included with transmission.

† PARTS: Part is included with heating unit.

WINDSHIELD CONVERTIBLE



5769247

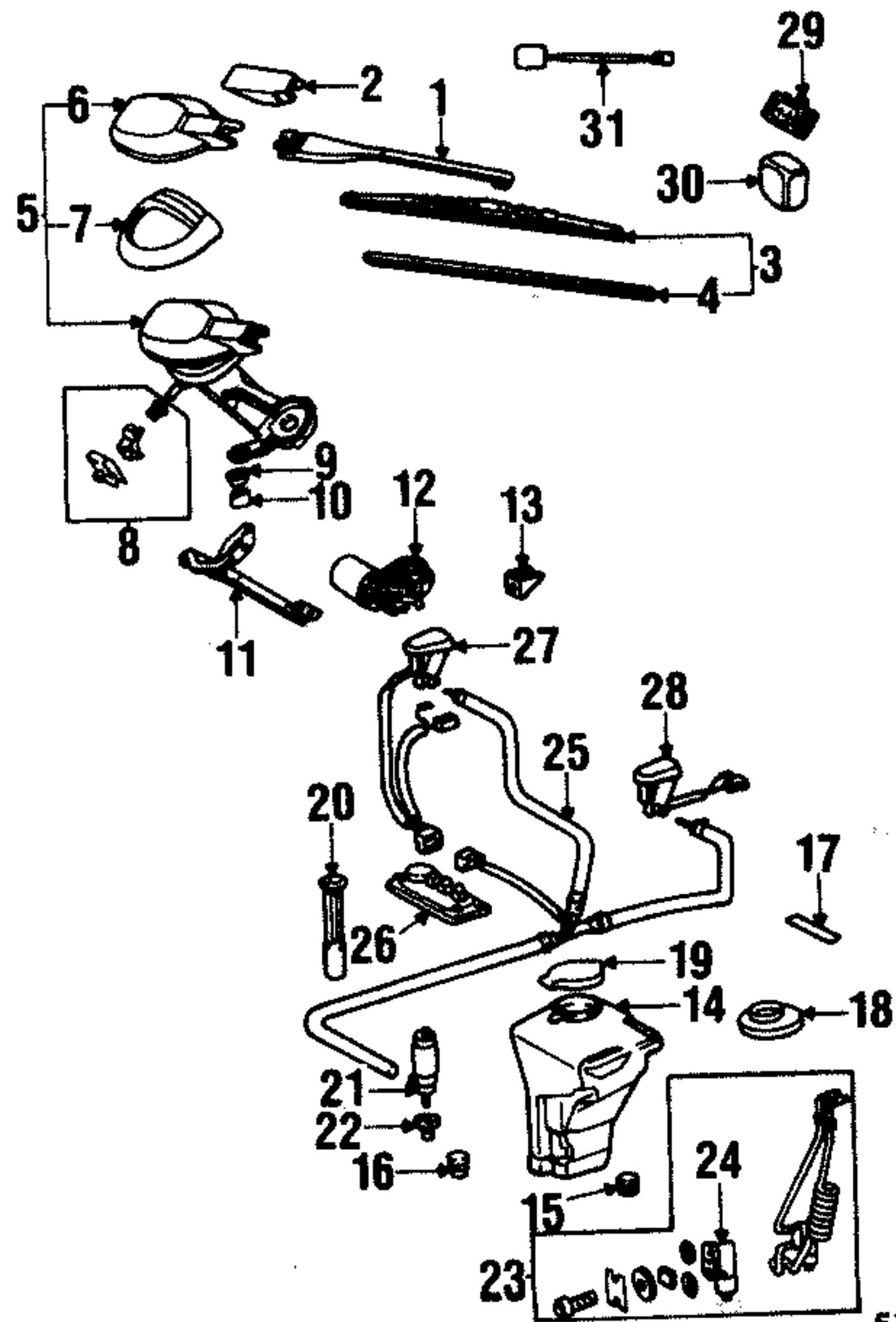
GLASS

Glass			
Mercedes			
w/o rain sensor	99-01	376.00	4.0 208 670 11 01
w/rain sensor	99-01	414.00	4.0 208 670 16 01
NAGS			
w/o rain sens.	99-01	‡	4.0 FW02170
w/rain sensor	99-01	‡	4.0 FW02169
urethane kit	98-01	90.00	210 670 02 93
support	98-01	.70	210 671 03 97
Mirror inside			
anthracite, gray	99-01	835.00	0.5 208 810 06 177D43
quartz	99-01	835.00	0.5 208 810 06 178G69

REVEAL MOLDINGS

4 Upper molding	99-01	102.00	# 1.0 208 670 04 22
5 clip	98-01	.70	124 988 98 78
6 rivet	98-01	.40	910 001 00 3101
7 spacer	98-01	.70	210 671 00 12

LABOR: Time includes side pillar trim.
 ¶ **PARTS:** Order by description.
 ‡ **PARTS:** Order by description. NAGS lists part number but no pricing information.



5769250

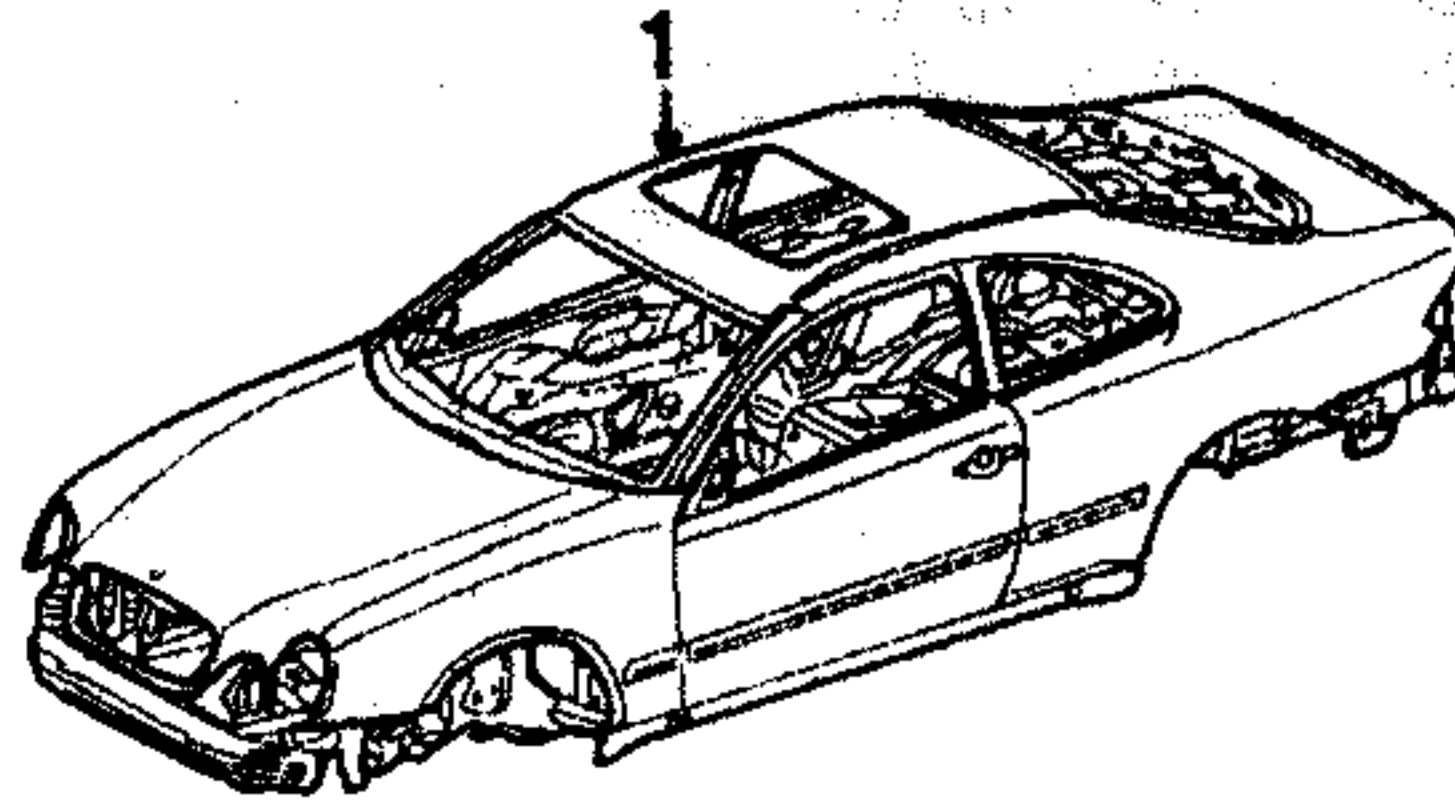
WIPER & WASHER COMPONENTS

1 Wiper arm	98-01	62.00	0.3 124 820 43 44
2 cap	98-01	7.75	124 824 03 49
3 Blade	98-01	34.00	0.2 124 820 09 459123
4 insert	98-01	11.00	# 0.2 208 820 00 45
5 Transmission	98-01	388.00	210 820 00 07
6 cap	98-01	11.50	‡ 210 824 00 49
7 seal	98-01	9.75	‡ 124 824 00 98
8 bracket assy	98-01	2.90	208 820 00 14
9 sleeve	98-01	1.00	000 824 34 99
10 bearing	98-01	4.35	208 824 00 20
11 Linkage	98-01	64.00	210 820 00 41
12 Wiper motor	98-01	166.00	m 1.5 210 820 17 42
13 bracket	98-01	1.40	202 831 00 14
14 Washer reservoir	98-01	35.00	0.3 208 869 01 20
15 grommet	98-01	.85	115 997 06 81
16 plug			
w/o headlamp washer	98-01	.85	210 987 00 45

17 holder	98-01	.70	126 869 02 14
18 cover	98-01	2.20	210 869 03 08
19 cap	98-01	2.40	123 869 01 72
20 Level sensor	98-01	24.00	210 540 00 45
21 Washer pump	98-01	21.00	m 0.3 210 869 08 21
22 grommet	98-01	.70	123 997 36 81
23 Heating unit	98-01	132.00	0.3 202 830 02 61
24 valve	98-01	22.00	‡ 126 830 07 84
25 Washer hose	98-01	97.00	208 860 02 92
26 Plate	98-01	22.00	126 820 11 11
27 Nozzle	98-01R	33.50	0.2 208 860 11 47
28	98-01L	33.50	0.2 208 860 12 47
29 Rain sensor	98-01	160.00	0.5 210 820 57 10
30 cover			
coupe	98-01	2.70	210 822 00 40
31 Sensor harness	98-01	8.75	208 540 56 08

PARTS: Part is included with wiper blade.
 ¶ **PARTS:** Part is included with transmission.
 ‡ **PARTS:** Part is included with heating unit.

BODY SHELL



5769255

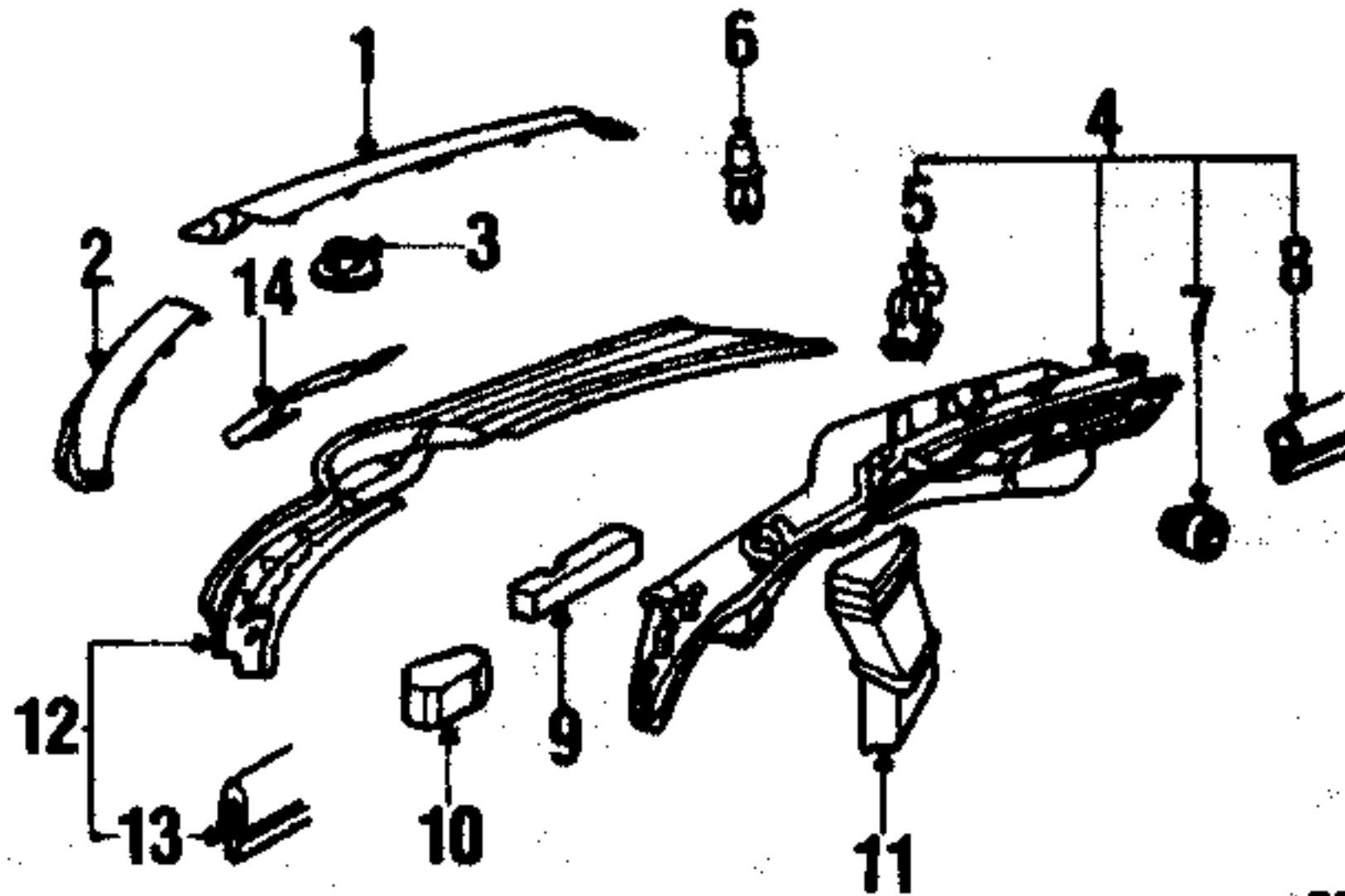
PARTS AND R&R OPERATIONS

BODY SHELL

1 Body assy	98-00	10110.00	# 208 600 00 05
	01	#	NOT LISTED

PARTS: Order by VIN.

COWL



5769260

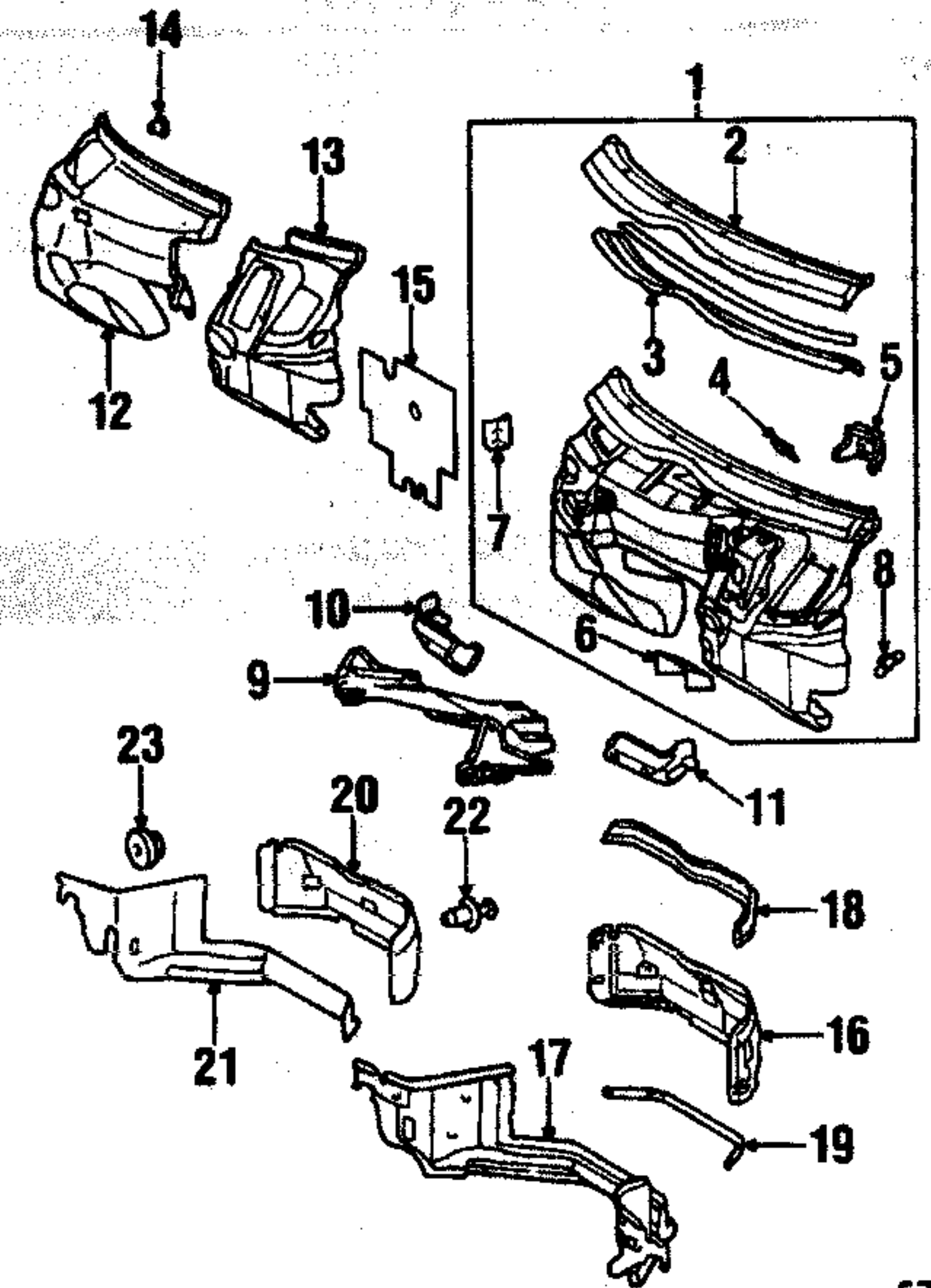
PARTS AND R&R OPERATIONS

COWL

GRILLE & DUCT

1 Cowl grille	98-01R	28.50	0.3 208 831 02 58
2	98-01L	23.50	0.3 208 831 01 58
3 fastener	98-01B	.40	001 988 95 81
4 Duct assy	98-01	57.00	202 830 00 44
5 clip	98-01	.50	# 202 988 03 78
6 rivet	98-01	.50	000 990 25 92
7 valve	98-01	1.50	# 202 832 00 84
8 seal strip	98-01	6.00	# 202 831 03 98
9 seal	98-01R	1.40	202 831 09 98
10	98-01L	2.00	202 831 08 98
11 Lower duct	98-01	12.00	202 830 05 25
12 Duct cover	98-01	85.00	208 830 00 13
13 seal	98-01	11.00	¶ 170 831 00 98
14 Center cover	98-01	8.00	202 830 02 13

PARTS: Part is included in duct assembly.
 ¶ **PARTS:** Part is included with duct cover.

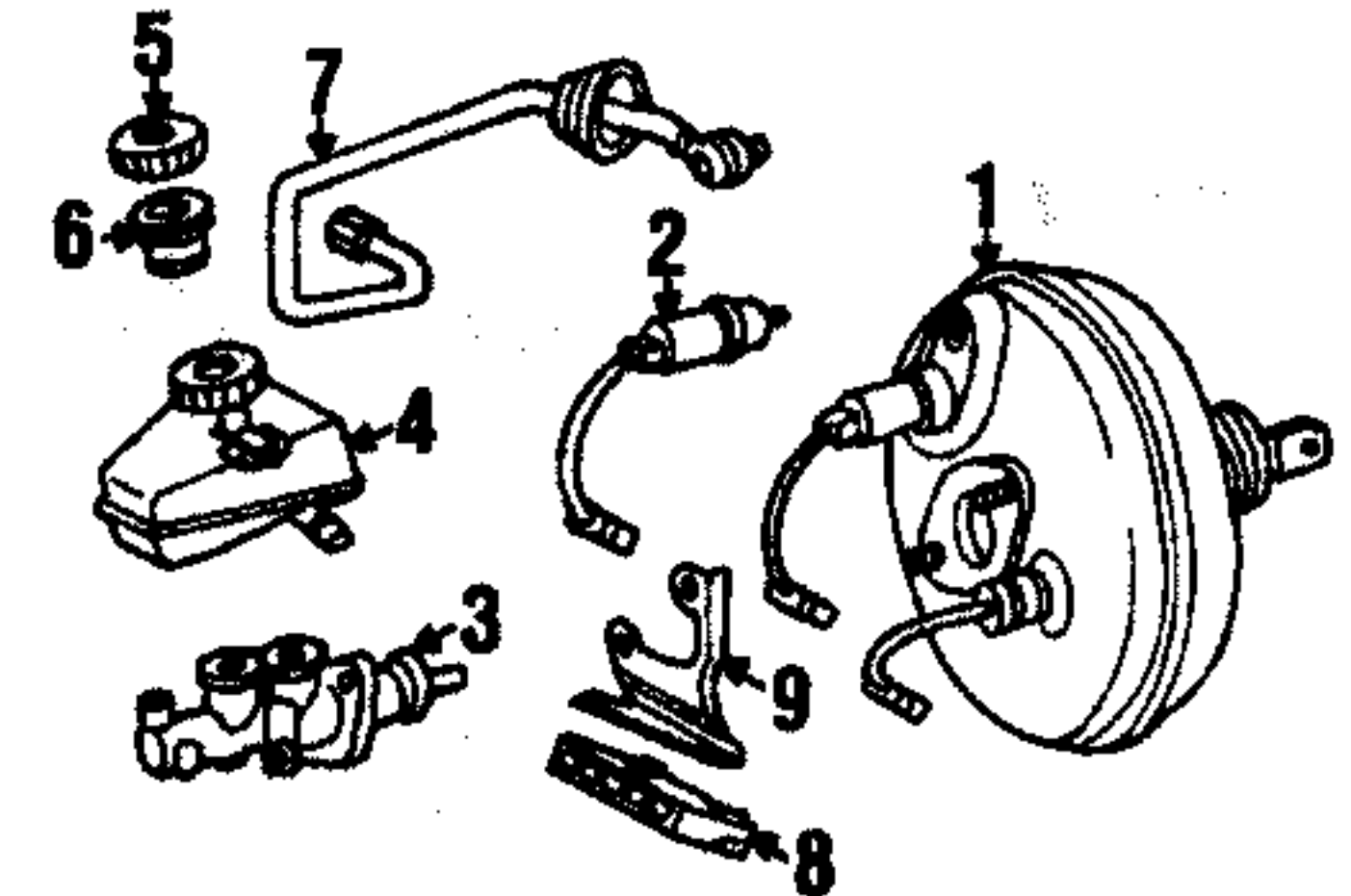


5769265

DASH, COWL & PARTITION PANELS

1 Dash panel	98-01	316.00	202 620 07 08
Cowl panel			
2 upper	(p1.4) 98-01	47.00	# 5.0 202 626 00 55
3 lower	98-01	30.00	# 202 626 01 55
4 Plate	98-01	1.00	# 201 620 11 11
Mount bracket			
steering column			
5 upper	98-01	2.70	# 202 625 00 31
6 lower	98-01	3.00	# 202 620 00 31
7 overflow tank	98-01	5.75	# 202 625 12 14
8 parking brake	98-01	1.20	# 202 625 22 14
9 Support	98-01	104.00	202 620 00 34
10 Crossmember	98-01R	14.00	202 626 08 55
11	98-01L	14.00	202 626 07 55
12 Insulator	98-01R	94.00	202 682 12 28
13	98-01L	97.00	202 682 11 28
14 clip	98-01	.50	001 988 13 81
15 Absorber	98-01	3.90	210 682 17 28
Partition panel			
16 upper	98-01	33.50	202 628 00 55
17 lower	98-01	117.00	202 620 10 78
seal			
18 to hood	98-01	23.00	124 628 52 98
19 lower	98-01	3.00	202 628 05 98
insulator			
20 upper panel	98-01	42.00	202 682 18 60
21 lower panel	98-01	60.00	202 682 13 60
clip			
22 upper insulator	98-01	.50	201 990 02 92
23 lower insulator	98-01	.40	001 988 95 81

PARTS: Part is included with dash panel.



5769267

COMPONENTS ON DASH PANEL

1 Booster assy			
3.2 liter			
w/o ESP	98-99	372.00	¶ m 2.3 004 430 75 30
w/ESP	98-01	488.00	¶ m 2.3 004 430 91 30
4.3 & 5.5 liter	99-01	515.00	¶ m 2.3 005 430 44 30
2 Position sensor			
w/o ESP	98-99	56.00	m 0.3 001 540 09 17
w/ESP	98-01	76.00	m 0.3 001 540 15 17
3 Master cylinder			
3.2 liter			
w/o ESP	98-99	222.00	m 1.4 005 430 77 01
w/ESP	98-01	276.00	m 1.4 005 430 84 01
4.3 & 5.5 liter	99-01	242.00	m 1.4 005 430 88 01
4 Reservoir			
3.2 liter	98-01	32.00	m 0.5 202 430 03 02
4.3 & 5.5 liter	99-01	35.00	m 0.5 202 430 02 02

CONTINUED

1998-01 M/BENZ CLK CLASS

CLK320, CLK430,
CLK55

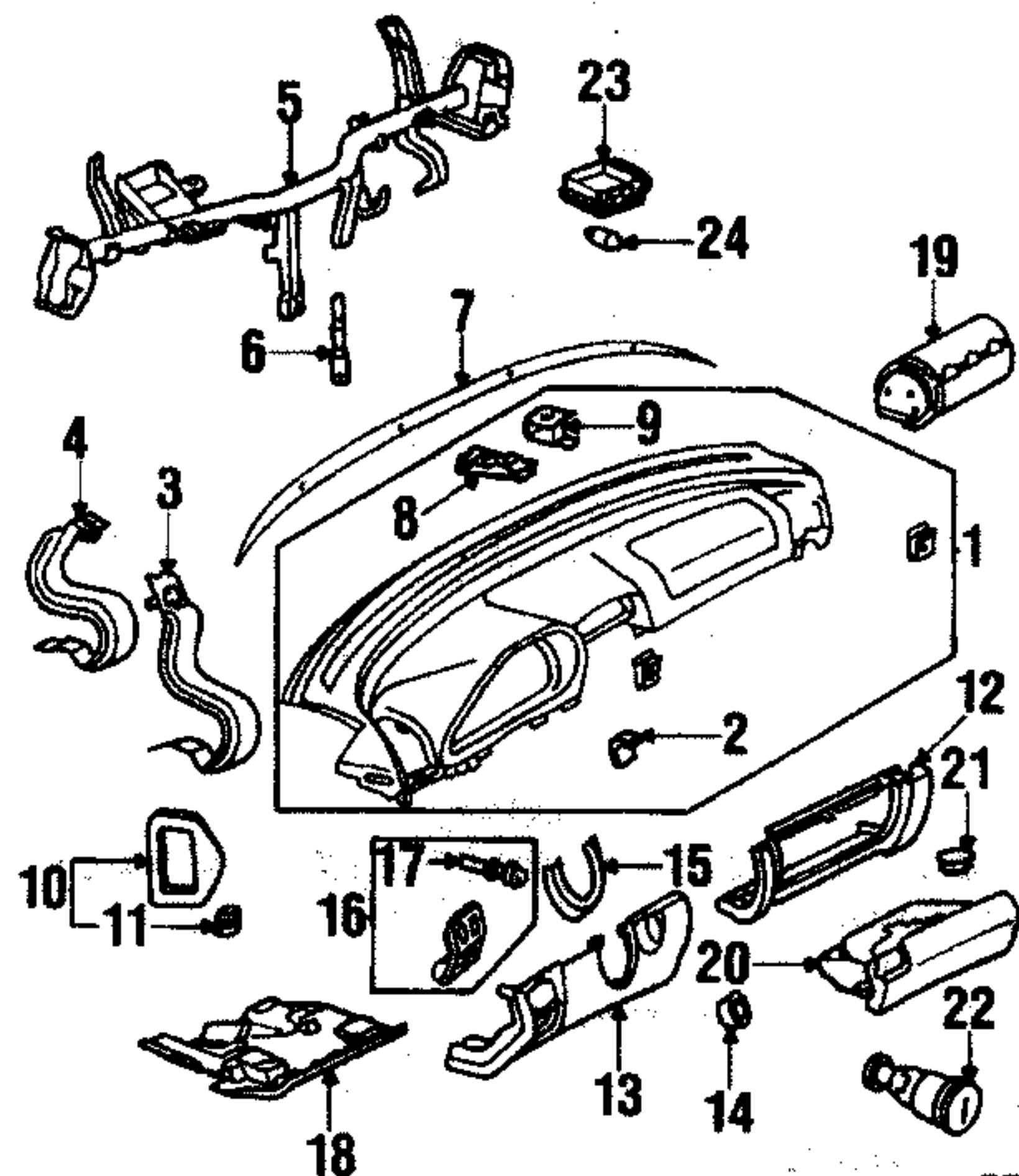
ERI 5769

COWL (CONT)

5	Cap	98-01	3.00#	202 430 00 14
6	Strainer	98-01	2.50#	000 431 43 34
7	Vacuum hose			
	3.2 liter	98-01	35.00 m 0.2	202 430 17 29
	4.3 liter	99-01	38.50 m 0.2	202 430 46 29
8	E'ronic entrl.	98-01	m 0.4	025 545 72 32
9	Bracket			
	w/o ESP	98-99	6.25	000 431 28 40
	w/ESP	98-01	6.25	000 431 34 40

PARTS: Part is included with reservoir.
† LABOR: Includes R&I/R&R master cylinder.

INSTRUMENT PANEL



5769270

WARNING

Before repairing any air restraint system, the battery cables must be disconnected and any back-up power supply discharged for the time period stipulated by the vehicle manufacturer in order to prevent accidental deployment. NOTE: Wiring repairs should only be performed in accordance with vehicle manufacturer specifications.

R&I OPERATIONS

R&I instrument panel	98-01	m 6.5
----------------------	-------	-------

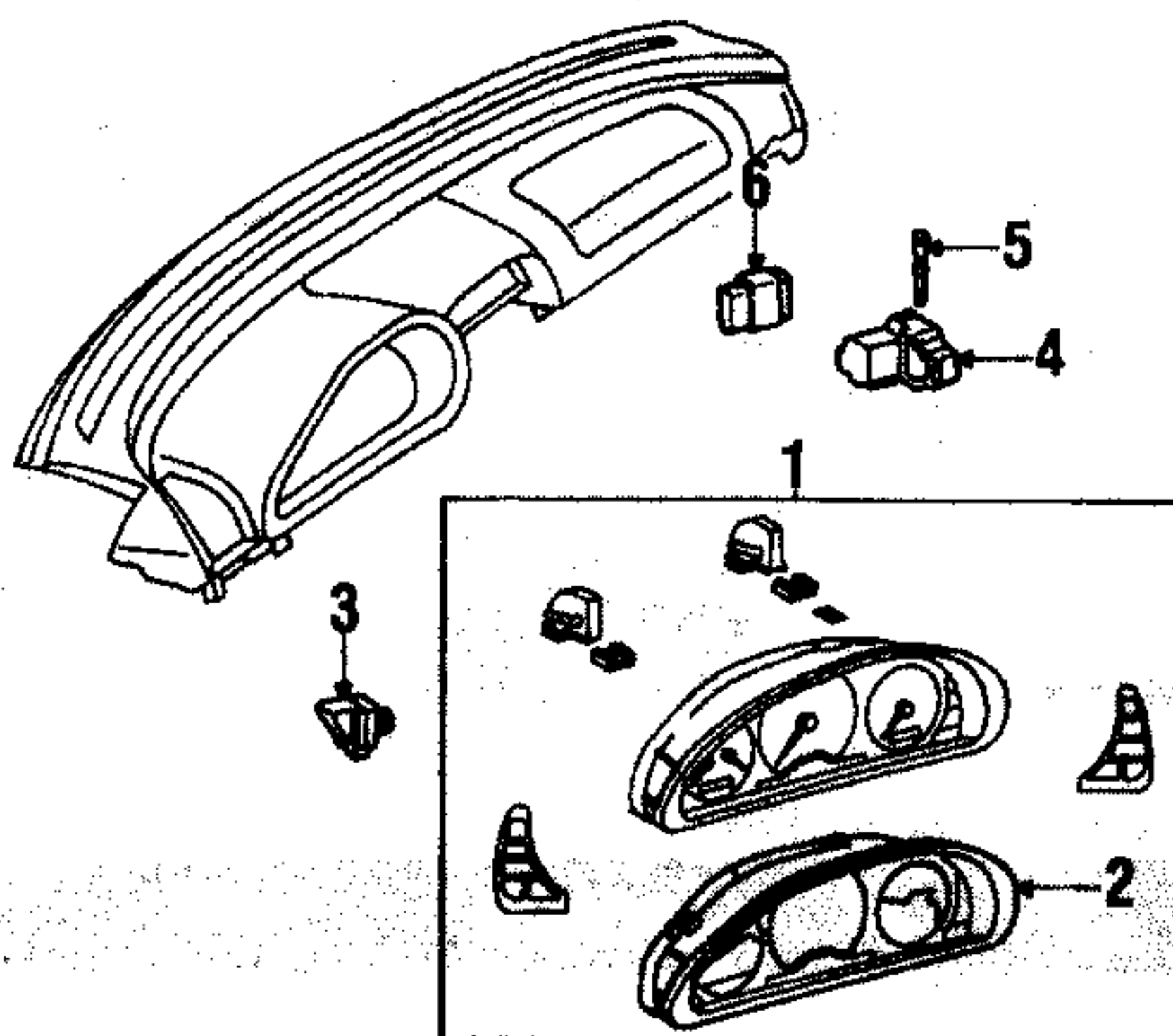
PARTS AND R&R OPERATIONS

INSTRUMENT PANEL

1	Instrument panel			
	standard			
	anthracite	98-01	655.00# 8.4	208 680 20 879C70
	quartz	98-01	655.00# 8.4	208 680 20 878J02
	gray	98-01	655.00# 8.4	208 680 20 877E95
	designo	98-01	1410.00# 8.4	208 680 19 879B50
2	clip	98-01	.85†	202 988 27 78
3	bracket	98-01R	71.00†	208 680 01 14
4		98-01L	71.00†	208 680 03 14
5	Reinf beam			
	coupe	98-01	330.00 1.0	208 620 01 86
	convertible	99-01	338.00 1.0	208 620 07 86
6	brace			
	coupe	98-01	4.20	202 628 00 24
	convertible	99-01	25.50	208 628 01 24
7	Upper molding			
	burr walnut	98-01	372.00# 0.3	202 680 06 71
	curly ahorn	98-01	142.00# 0.3	208 680 03 718H39
	magic eyes	98-01	# 0.3	208 680 04 715B89
8	retainer	98-01	.50†	202 994 05 45
9	clip	98-01	.50†	202 988 19 78
10	End panel			
	anthracite	98-01R	12.50 0.3	208 680 02 789B51
		98-01L	13.50 0.3	208 680 01 789B51
	quartz	98-01R	12.50 0.3	208 680 02 788G69
		98-01L	13.50 0.3	208 680 01 788G69
	gray	98-01R	12.50 0.3	208 680 02 787D43
		98-01L	13.50 0.3	208 680 01 787D43
11	clip	98-01	.40†	210 988 05 78
	Lower trim panel			
12	anthracite	98-01R	224.00 0.3	208 680 10 879B50
13		98-01L	286.00 0.3	208 680 13 879B50
	quartz	98-01R	224.00 0.3	208 680 10 878G70
		98-01L	286.00 0.3	208 680 13 878G70
	gray	98-01R	224.00 0.3	208 680 10 877D44
		98-01L	286.00 0.3	208 680 13 877D44
14	Lock bezel	98-01	3.00	208 680 04 65
15	Column filler			
	anthracite	98-01	32.00	208 689 09 809B51
	quartz	98-01	32.00	208 689 09 808G69
	gray	98-01	32.00	208 689 09 807D43
16	Switch bezel			
	w/o Xenon headlamps			
	anthracite	98-01	30.50 0.2	208 680 01 659B51
	quartz	98-01	30.50 0.2	208 680 01 658G69

	gray	98-01	30.50 0.2	208 680 01 657D43
	w/Xenon headlamps			
	anthracite	98-01	33.50 0.2	208 680 03 659B51
	quartz	98-01	33.50 0.2	208 680 03 658G69
	gray	98-01	33.50 0.2	208 680 03 657D43
17	stopper	98-01	.40@	202 427 00 27
18	Lower cover			
	left side	98-01	48.50 0.2	208 680 07 36
19	Air bag module	98-01	†	SEE FOOTNOTE
20	Glove box assy			
	anthracite	98-01	210.00 0.4	208 680 02 919B50
	quartz	98-01	210.00 0.4	208 680 02 918G70
	gray	98-01	210.00 0.4	208 680 02 917D44
21	plug	98-01	5.50	210 997 00 86
22	Lock	98-01	64.00 0.2	170 680 06 84
23	Glove box lamp			
	coupe	98-01	5.00 0.2	210 820 00 01
	convertible			
	w/o anti theft	99-01	5.00 0.2	210 820 00 01
	w/anti theft	99-01	20.00 0.2	170 820 01 01
24	Bulb	98-01	1.20	072 601 01 2130

† PARTS: Order by color and description.
† PARTS: Listed in RESTRAINT SYSTEM group.
† PARTS: Part is included with instrument panel.
† PARTS: Part is included with end panel.
@ PARTS: Part is included with switch bezel.

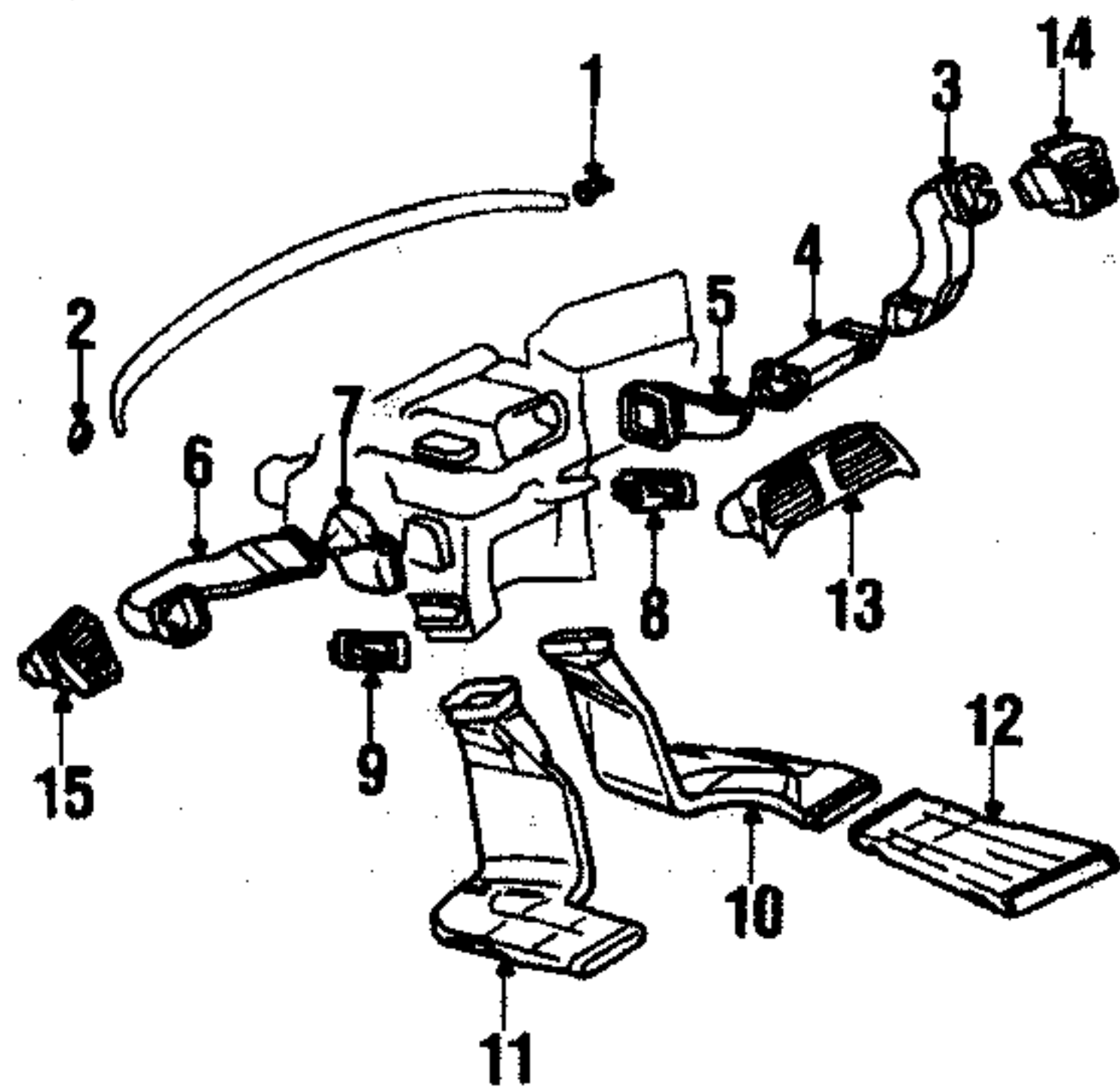


5769275

CLUSTER & SWITCHES

1	Cluster assy			
	w/o CLK55 AMG			
	w/o elegance pkg	98	885.00 m 1.0	208 540 16 11
		99	845.00 m 1.0	208 540 32 11
		00-01	895.00 m 1.0	208 540 64 11
	w/elegance pkg	98	830.00 m 1.0	208 540 07 11
		99	845.00 m 1.0	208 540 31 11
		00-01	850.00 m 1.0	208 540 62 11
	w/CLK55 AMG	01	870.00 m 1.0	208 540 66 11
2	Case	98-99	151.00#	210 540 15 24
		00-01	157.00#	210 540 16 24
3	Ignition switch	98-99	436.00† m 2.5	208 545 02 08
		00-01	444.00† m 2.5	210 545 03 08
4	Steering lock	98-01	210.00† m 2.5	208 462 04 30
5	screw	98-01	2.00	208 462 01 71
6	Headlamp switch	98-01	320.00	210 545 16 04

† PARTS: Part is included in cluster assembly.
† LABOR: Add to recode cylinder.



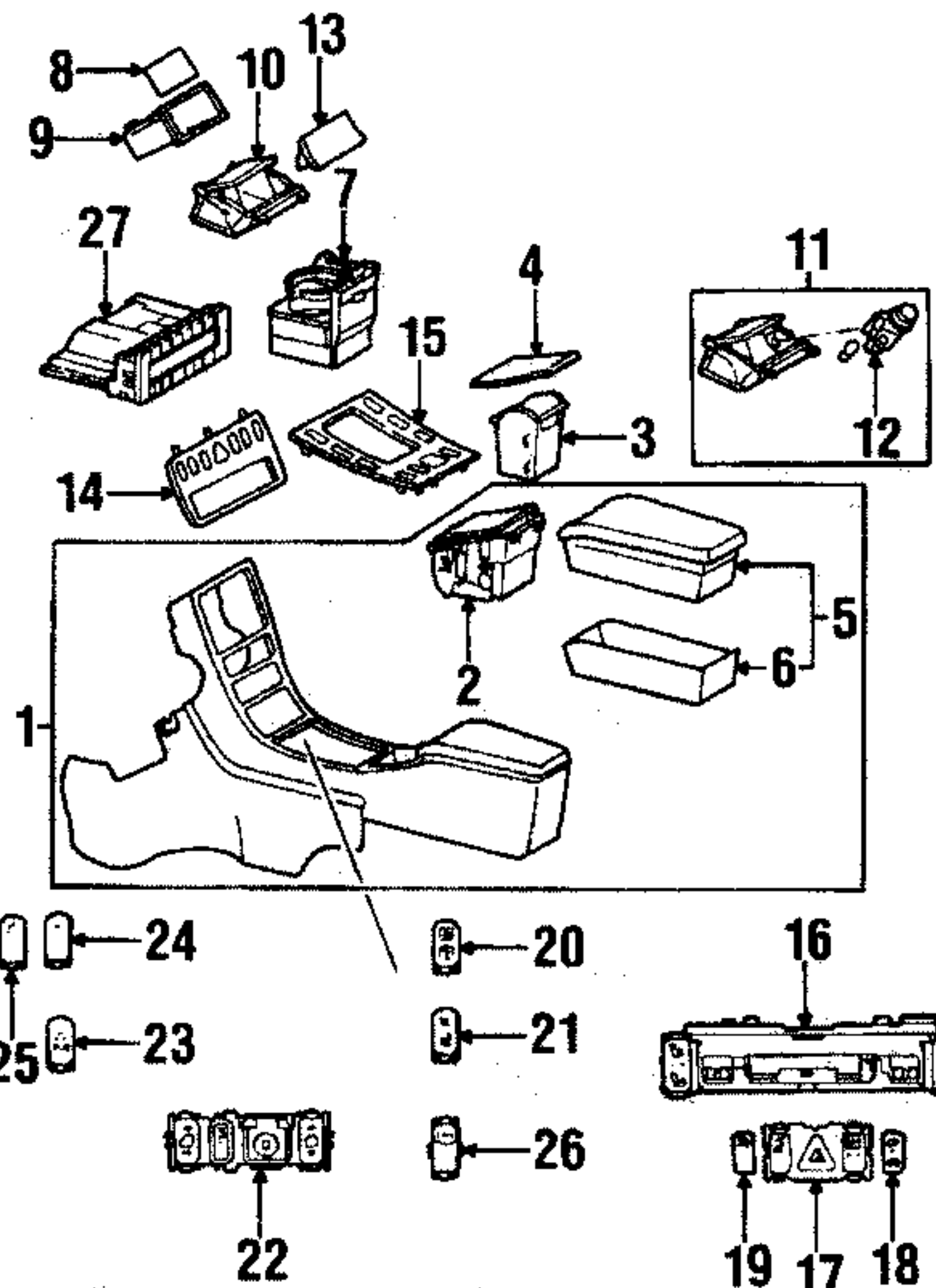
5769280

DUCTS

1	Upper cap	98-01R	1.40	202 831 02 44
2		98-01L	1.40	202 831 01 44
	Duct			
	right side			
3	outer	98-01	9.75	208 831 10 46
4	center	98-01	3.50	210 831 37 46
5	inner	98-01	3.40	210 831 35 46
	left side			
6	outer	98-01	9.75	208 831 01 46
7	inner	98-01	4.80	208 831 11 46

8	Baffle			
	legroom	98-01R	2.70	208 830 02 66
9		98-01L	2.70	208 830 01 66
	Lower duct			
10	front	98-01R	11.50	202 831 02 46
11		98-01L	11.00	202 831 01 46
12	rear	98-01B	7.00	202 831 03 46
	Vent grille			
13	center			
	anthracite	98-01	94.00	208 830 03 547206
	quartz	98-01	94.00	208 830 03 541455
	gray	98-01	94.00	208 830 03 547225
	side			
14	anthracite	98-01R	50.00	208 830 02 547206
15		98-01L	54.00	208 830 01 547206
	quartz	98-01R	50.00	208 830 02 541455
		98-01L	54.00	208 830 01 541455
	gray	98-01R	50.00	208 830 02 547225
		98-01L	54.00	208 830 01 547225

CONSOLE



5769285

R&I OPERATIONS

R&I console assy	98-01	2.2
------------------	-------	-----

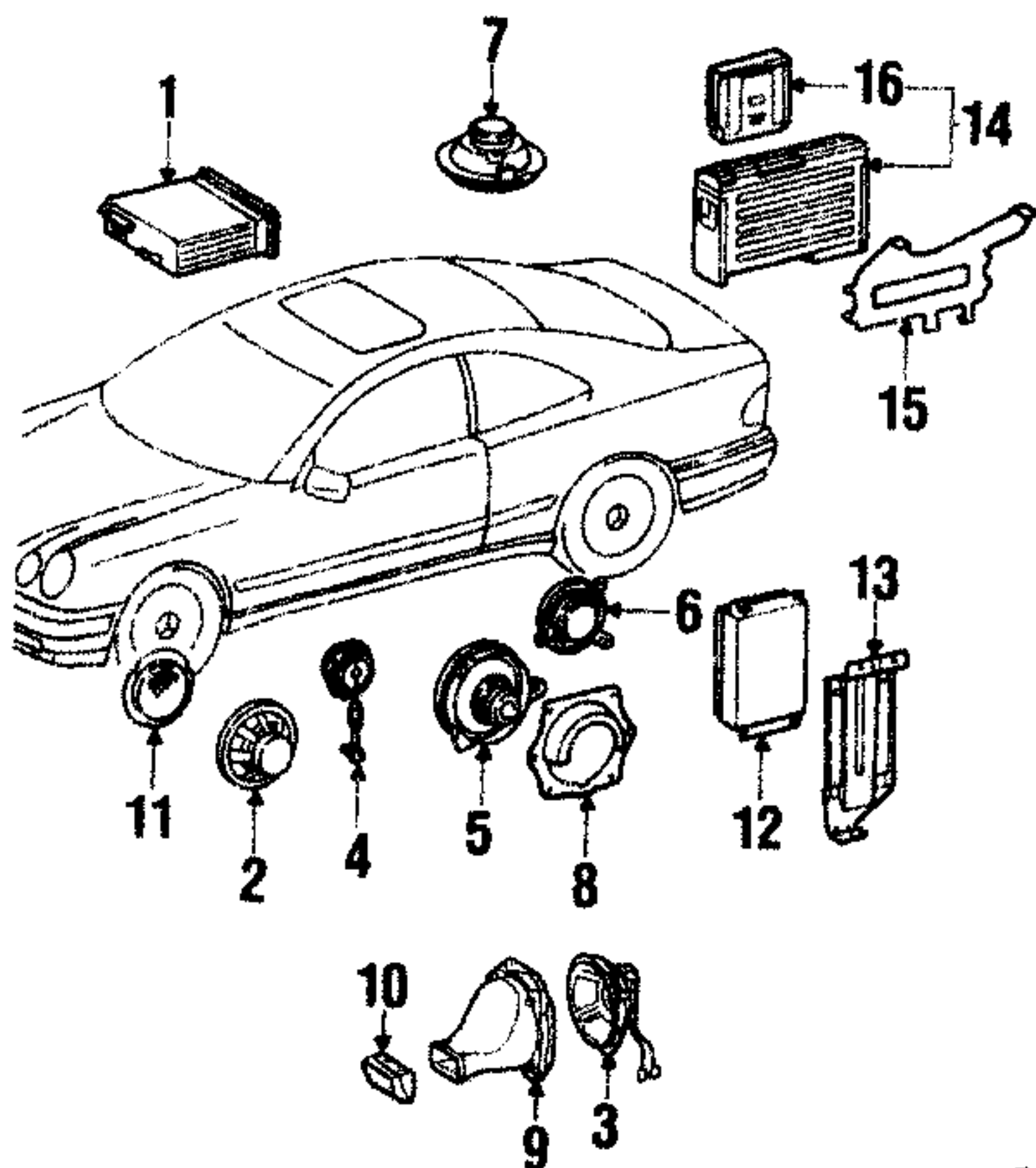
PARTS AND R&R OPERATIONS

CENTER CONSOLE

1	Console assy			
	standard			
	anthracite	98-99	605.00† 2.5	208 680 01 509B50
		00-01	680.00† 2.5	208 680 13 509B50
	quartz	98-99	605.00† 2.5	208 680 01 508G94
		00-01	680.00† 2.5	208 680 13 508G94
	gray	98-99	605.00† 2.5	208 680 01 507D54
		00-01	680.00† 2.5	208 680 13 507D54
	designo	00-01	1530.00† 2.5	208 680 16 509B50
2	Compartment	98-01	77.00#	208 680 03 50
3	Housing	98-00	20.00	208 683 01 75
4	cover			
	w/o CLK55 AMG			
	elegance package	98-01	102.00†	208 680 03 78
	curly ahorn	98-00	172.00†	208 680 06 788H39
	magic eyes	98-00	†	208 680 07 785B89
	w/CLK55 AMG	01	105.00†	208 680 09 78
5	Lid assy			
	anthracite	98-01	114.00# 0.5	208 680 02 399B50
	quartz	98-01	114.00# 0.5	208 680 02 398G94
	gray	98-01	114.00# 0.5	208 680 02 397D54
6	lower cover	98-01	40.50†	208 680 00 79
7	Cup holder	98-01	61.00	208 680 04 14
8	Radio cover	98-01	2.70	140 683 01 10
9	Storage tray	98-01	32.00	208 680 01 91
10	Storage box			
	w/o ashtray	98-99	67.00 0.1	208 810 01 41
		00-01	0.1	208 810 04 41
11	Ashtray	98-99	102.00 0.1	208 810 01 30
		00-01	112.00 0.1	208 810 08 30
12	Lighter assy	98-99	32.50@ 0.4	210 820 00 53
		00-01	35.50@ 0.4	210 820 01 53
13	Front cover			
	w/o CLK55 AMG	98-01	70.00 0.2	208 810 01 29
	w/CLK55 AMG	01	0.2	208 810 04 29
	Switch bezel			
	upper			
14	w/o CLK55 AMG	98-01	169.00†	208 680 19 361400
	w/CLK55 AMG	01	184.00†	208 680 84 361400
15	lower			
	coupe w/o CLK55 AMG	98-01	172.00†	208 680 18 364200
	coupe w/CLK55 AMG	01	167.00†	208 680 85 364200

convertible	99	336.00	0.8	208 680 39 362400
	00-01	172.00	0.8	208 680 76 362400
16 Switch panel				
w/o heated seat	98-01	16.00	0.4	210 821 00 71
w/heated seats	98-01	172.00	0.4	210 820 01 51
Switch				
17 hazard, headrest				
coupe	98-01	48.00	0.2	208 820 04 10
convertible	99-01		0.2	208 820 25 10
18 anti theft	98-01	25.50	0.2	210 820 17 10
19 headlamp washer	98-01	24.50	0.2	210 820 22 10
20 rear roller shade				
coupe	98-01	24.50	0.2	210 820 27 10
convertible	99-01	30.50	0.2	208 820 28 10
21 folding mirror	98-01	25.50	0.2	210 820 20 10
22 window & mirror	98-01		0.2	208 820 59 10
23 folding top				
convertible	99-01	30.50	0.2	208 820 28 10
24 ASR	98-01		0.2	210 821 34 51
25 ESP	98-01		0.2	210 821 35 51
26 indicator				
child seat				
coupe	98-01	15.50		208 820 10 01
convertible	99	33.50		208 820 23 01
	00-01			208 820 62 01
27 Heater control	98-01	835.00		140 830 26 85

PARTS: Part included in console assembly.
 † PARTS: Order by description.
 ‡ PARTS: Order by color and description.
 † PARTS: Part is included in lid assembly.
 @ PARTS: Part is included with ashtray.



5769290

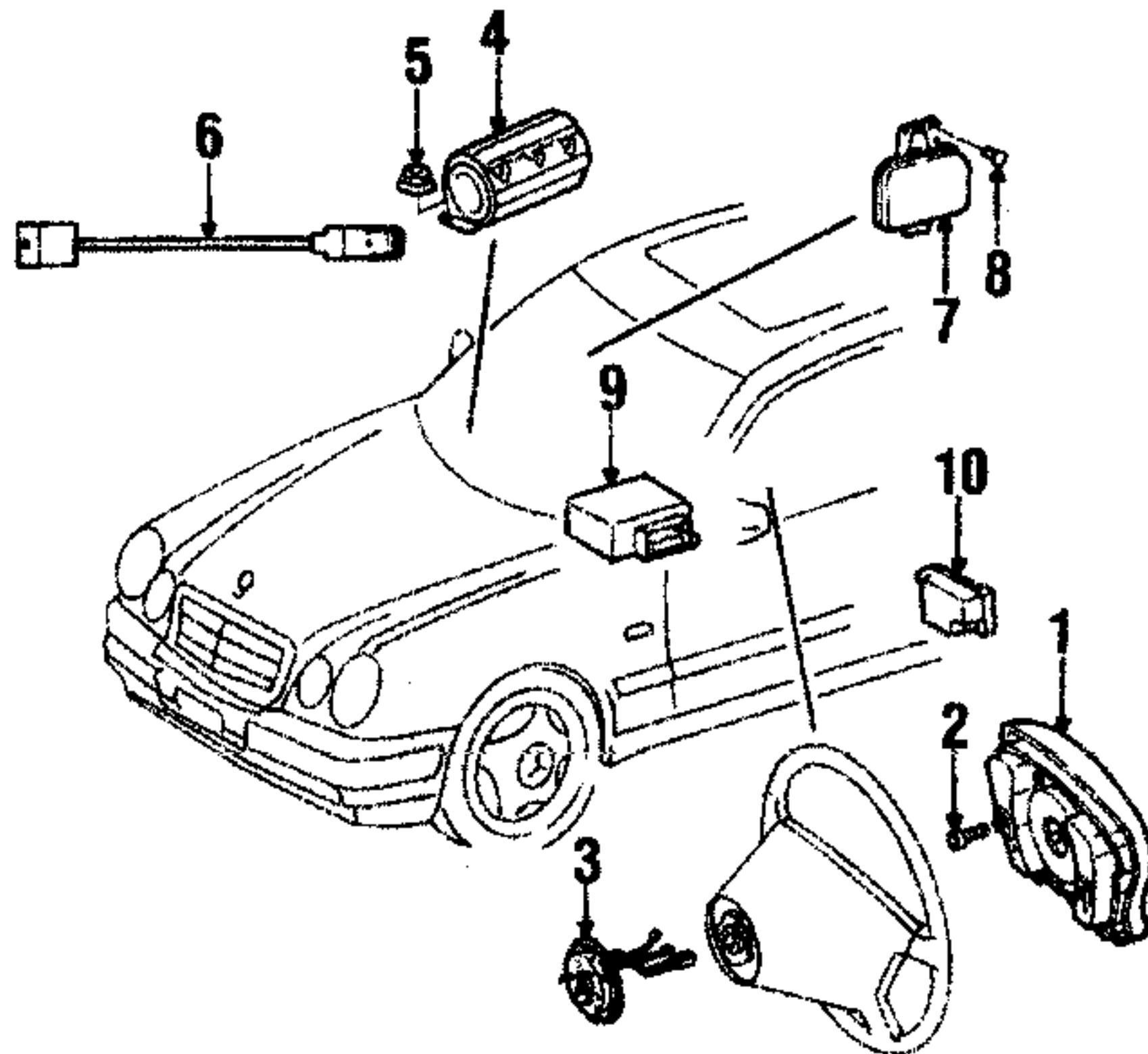
SOUND SYSTEM

1 Radio	98	930.00	0.8	003 820 60 86
	99	850.00	0.8	208 820 05 86
	00-01	725.00	0.8	208 820 10 86
Speaker				
cellular phone				
2 front	98-01	25.00	0.4	168 820 09 02
3 rear, coupe	98-01	88.00	0.3	208 820 31 02
door				
4 upper	98-01B	12.00	0.3	208 820 10 02
5 lower, front w/o Bose	98-01B	31.00	0.3	668 284 10
lower, front w/Bose	98-01B	91.00	0.3	668 284 05
6 lower, rear w/o Bose	98-01B	31.50	0.3	668 284 11
lower, rear w/Bose	98-01B	72.00	0.3	668 284 06
7 package tray				
w/o Bose	98-01B	36.00	0.4	668 284 12
w/Bose	98-01B	87.00	0.4	668 284 07
8 housing				
lower front speaker	98-01B	3.40		208 827 00 31
9 Tube assy				
rear cellular phone speaker				
coupe	98-01B	10.50		208 820 09 69
10 cover				
w/o Bose				
anthracite	98-01B	20.50#		208 820 00 129B51
quartz	98-01B	20.50#		208 820 00 128G69
gray	98-01B	20.50#		208 820 00 127D43
w/Bose				
anthracite	98-01B	23.50#		208 820 02 129B51
quartz	98-01B	23.50#		208 820 02 128G69
gray	98-01B	23.50#		208 820 02 127D43
11 Grille				
cellular phone speaker				
anthracite	98-01B	7.50#		208 823 01 307206
quartz	98-01B	7.50#		208 823 01 301421
gray	98-01B	7.50#		208 823 01 307220
12 Amplifier				
coupe	98	670.00	1.0	668 284 08

convertible	99-01	820.00	1.0	208 820 08 89
	99-01	1100.00	1.0	208 820 09 89
13 bracket				
coupe	98-01	23.50		202 820 07 14
convertible	99-01			NOT LISTED
14 CD changer				
	98			B67 822 71 2
	99			002 820 80 89
	00-01			678 227 71
15 bracket	98-01	23.50		202 820 41 14
16 CD magazine	98-01			678 227 10

PARTS: Order by color.
 † PARTS: Part is included with CD changer.

RESTRAINT SYSTEMS



5769295

WARNING
 Before repairing any air restraint system, the battery cables must be disconnected and any back-up power supply discharged for the time period stipulated by the vehicle manufacturer in order to prevent accidental deployment. NOTE: Wiring repairs should only be performed in accordance with vehicle manufacturer specifications.

REPLACEMENT COMPONENTS
 The following components are mandatory replacement items following an air bag deployment according to current vehicle manufacturer recommendations. This information supercedes all prior information published by MOTOR.

- Air bag modules
- Steering wheel
- Seat belt pretensioner if deployed.
- INSPECTION COMPONENTS**
 The following components must be inspected for damage and replaced if necessary.

- Diagnostic unit (After third air bag deployment replace.)
- Side impact sensors
- Spiral cable
- Seat belts
- Wire harness
- Connectors
- Terminals
- Inst panel & reinf
- Insulation

ADD IF REQUIRED

Air bag system diagnosis 98-01 m 0.5

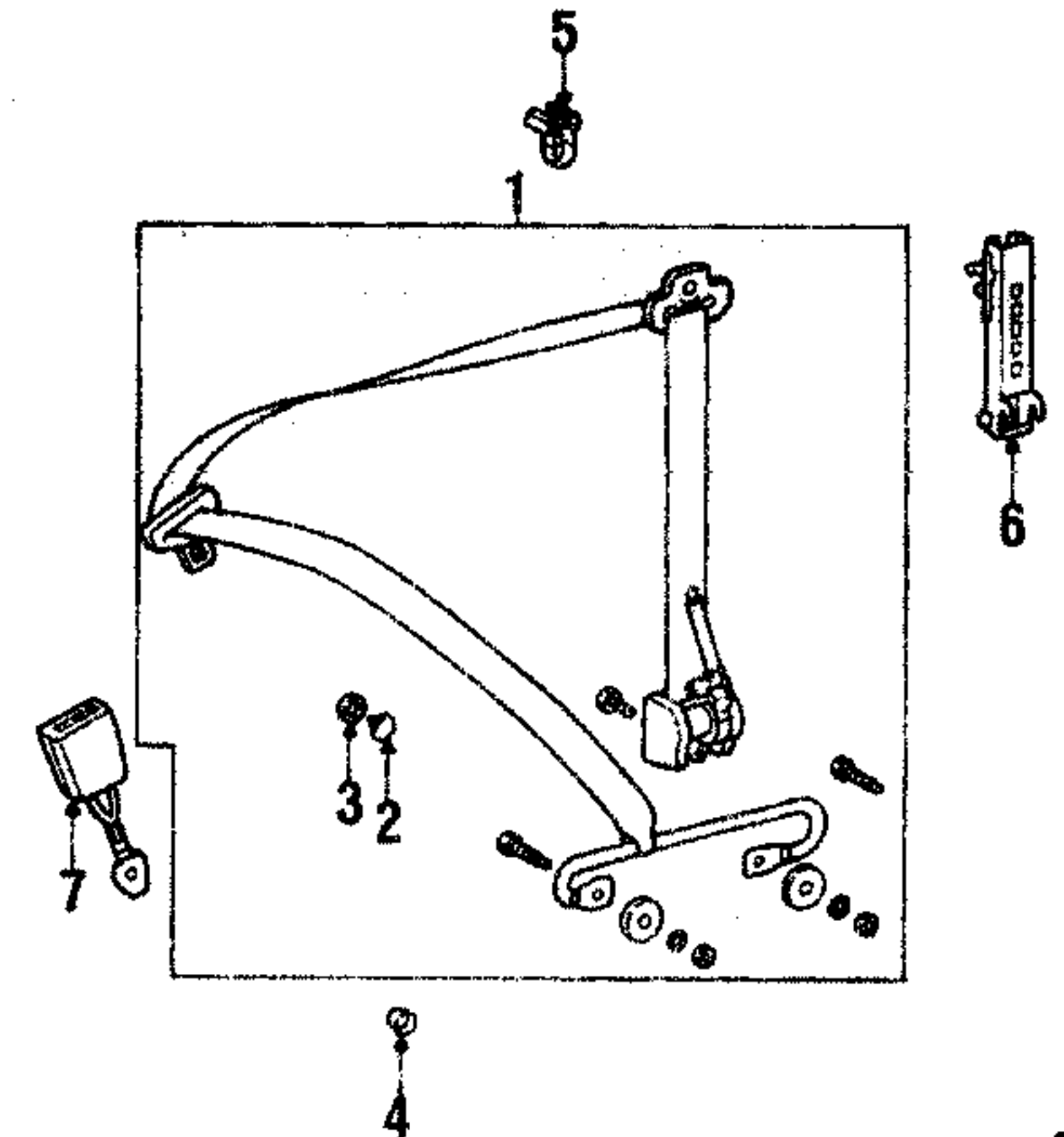
PARTS AND R&R OPERATIONS

AIR BAG COMPONENTS

1 Driver air bag				
w/o CLK55 AMG				
anthracite	98-99	750.00	m 0.5	170 460 05 989C01
	00-01	715.00	m 0.5	210 460 05 989B51
quartz	98-99	750.00	m 0.5	170 460 05 981449
	00-01	715.00	m 0.5	210 460 05 988H80
gray	98-99	750.00	m 0.5	170 460 05 987218
	00-01	715.00	m 0.5	210 460 05 987D53
w/o CLK55 AMG	01	1040.00	m 0.5	210 460 08 989C29
2 screw	98-01	2.00		124 990 05 20
3 Clockspring	98-99	93.00	m 0.8	168 460 01 49
	00-01	97.00	m 0.8	210 460 00 49
4 Psngr air bag	98	1290.00	m 6.0	208 860 00 05
	99-01	1300.00	m 6.0	208 860 03 05
5 nut	98-01			913 023 00 6001
6 Harness				
passenger air bag	98-01	16.00		000 540 12 05
7 Side air bag	98 R	232.00	m 0.5	170 860 02 05
	98 L	232.00	m 0.5	170 860 01 05
	99-00R	232.00	m 0.5	170 860 04 05
	99-01L	232.00	m 0.5	170 860 03 05
8 rivet	98-01B	.40		003 990 24 97
Diagnostic unit				
belt lock & airbag	98-01	298.00#	m 0.5	001 820 08 26

Sensor				
10 side air bag	98-01B	202.00	m 0.8	001 820 07 26

LABOR: After console is removed.
 † LABOR: Time includes instrument panel R&I.

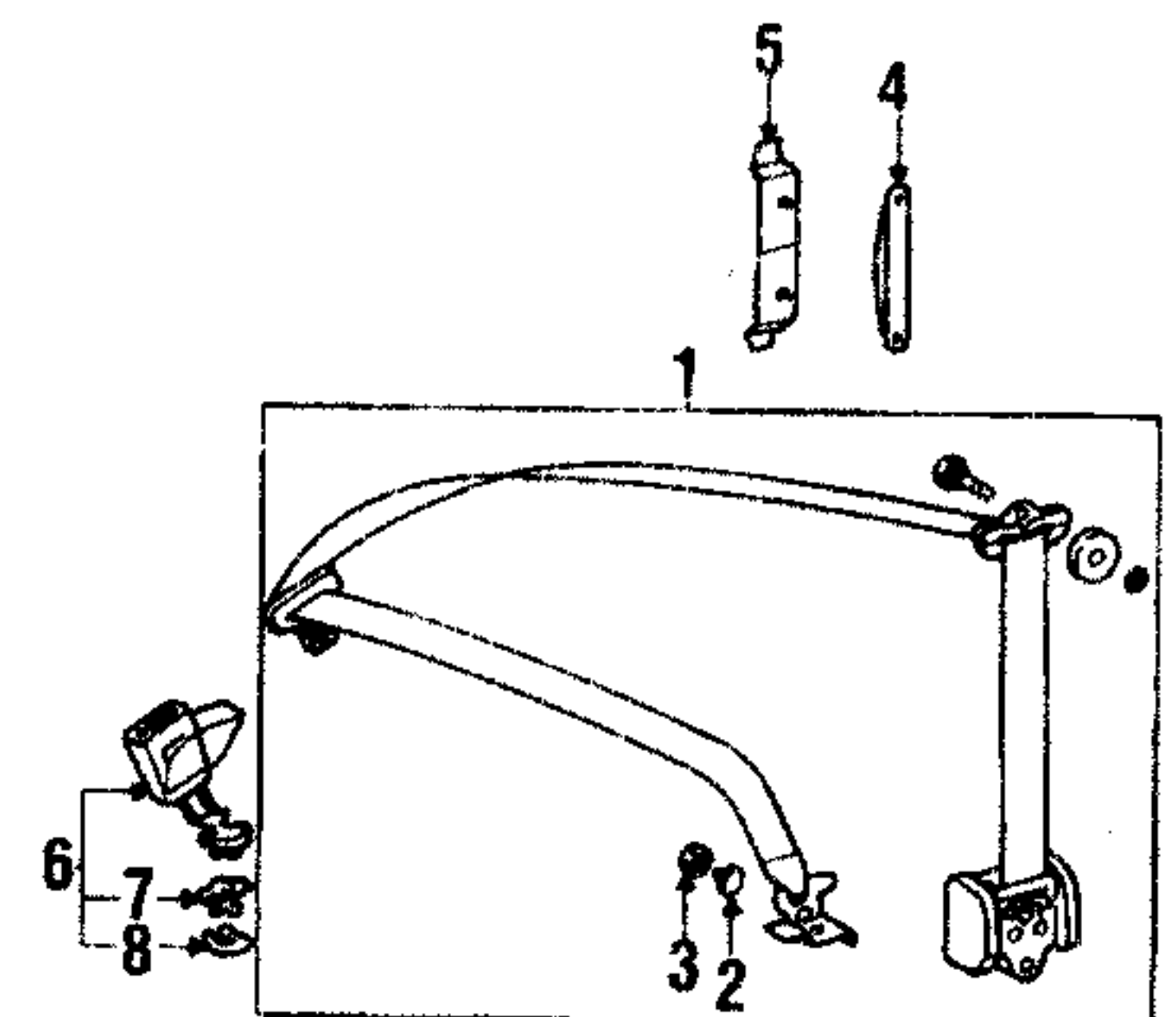


5769300

FRONT SEAT BELTS

Belt & retractor				
coupe				
anthracite	98 R	1.5		208 860 08 859B56
	98 L	220.00	1.5	208 860 09 859B56
	99-01R	230.00	1.5	208 860 28 859A86
	99-01L	230.00	1.5	208 860 25 859A86
quartz	98 R	220.00	1.5	208 860 08 858G75
	98 L	220.00	1.5	208 860 09 858G75
	99-01R	230.00	1.5	208 860 28 858G75
	99-01L	230.00	1.5	208 860 25 858G75
gray	98 R	1.5		208 860 08 857044
	98 L	1.5		208 860 09 857044
	99-01R	230.00	1.5	208 860 28 857D50
	99-01L	230.00	1.5	208 860 25 857D50
convertible				
anthracite	99-01R	220.00	1.5	208 860 18 859A86
	99-01L	230.00	1.5	208 860 17 859A86
quartz	99-01R	220.00	1.5	208 860 18 858G75
	99-01L	230.00	1.5	208 860 17 858G75
gray	99-01R	220.00	1.5	208 860 18 857D50
	99-01L	220.00	1.5	208 860 17 857D50
stop				
2 upper	98-01B	.40#		129 868 00 87
3 lower				
coupe	98-01B	0.40#		129 868 01 87
convertible	98-01R	15.50#		208 868 02 87
	98-01L	15.50#		208 868 01 87
4 cap	98-01B	.85		000 987 14 45
5 cover				
coupe	98 B	1.40		208 868 05 39
	99-01B	1.40		202 868 04 39
6 Adjuster				
coupe	98 B	34.50	0.3	208 860 02 88
	99-01B	37.00	0.3	208 860 03 88
7 Buckle	98-01R	99.00	0.5	208 860 06 69
	98-01L	99.00	0.5	208 860 05 69

PARTS: Part is included with belt & retractor.



5769305

REAR SEAT BELTS

Belt & retractor				
coupe				
anthracite	98-01R	97.00	1.5	208 860 06 859A86
	98-01L	97.00	1.5	208 860 05 859A86
quartz	98-01R	97.00	1.5	208 860 06 858G75
	98-01L	97.00	1.5	208 860 05 858G75
gray	98-01R	97.00	1.5	208 860 06 857D50
	98-01L	97.00	1.5	208 860 05 857D50
stop				
2 upper	98-01B	.40#		129 868 00 87

CONTINUED

1998-01 M/BENZ CLK CLASS

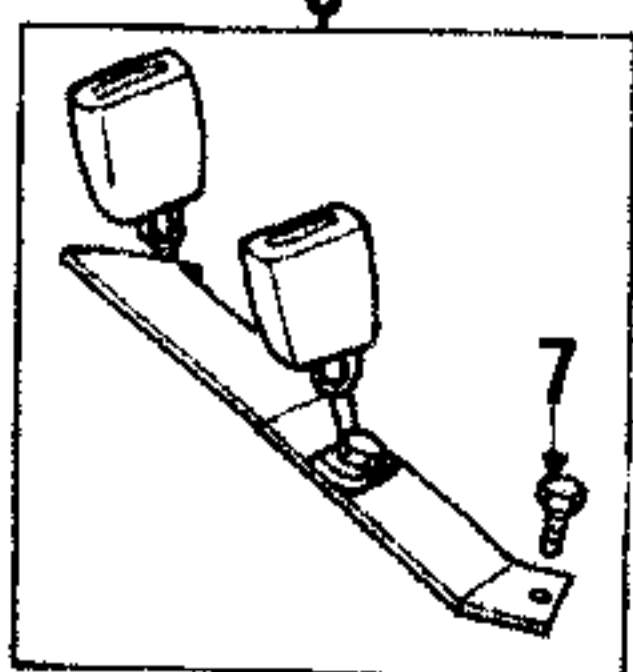
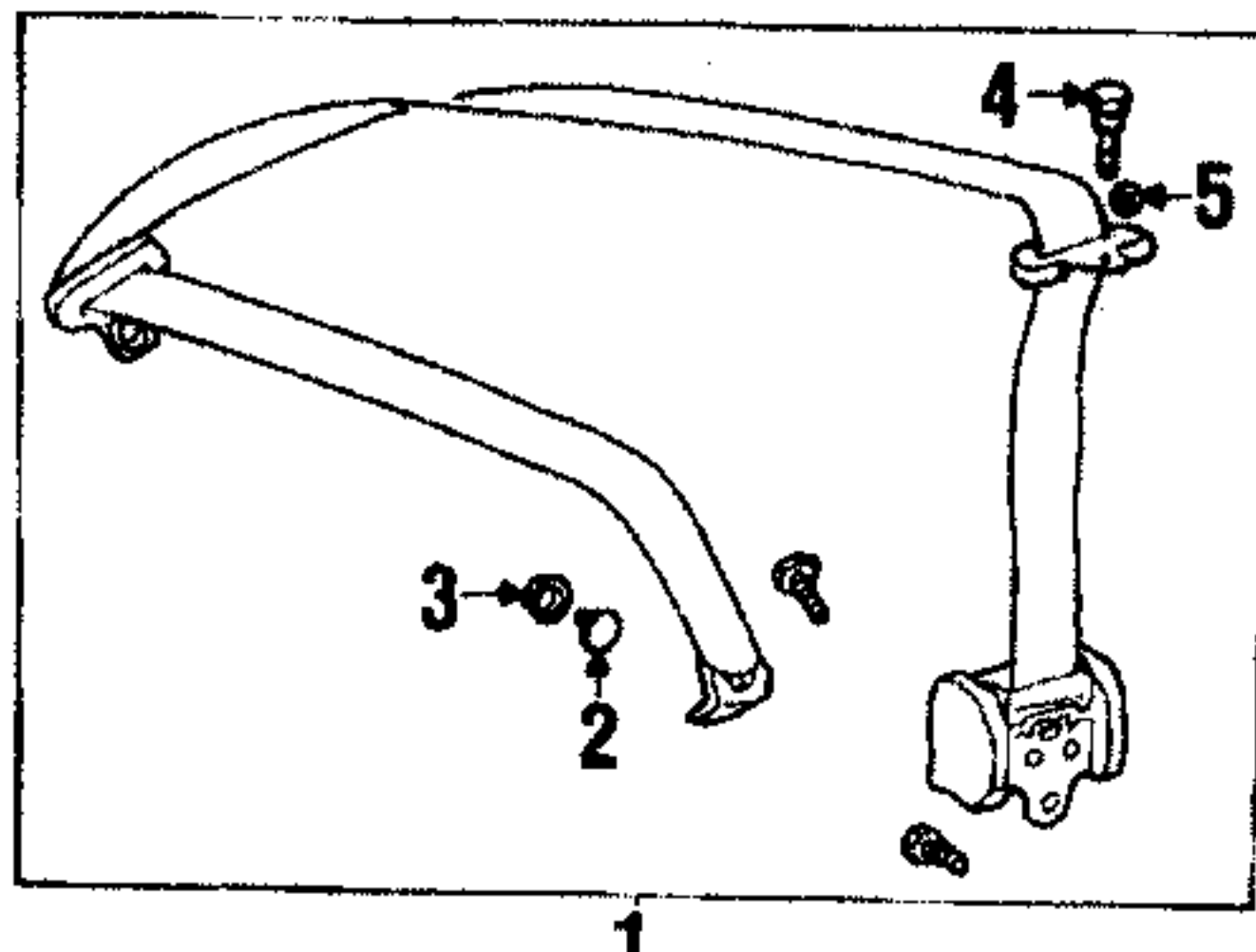
CLK320, CLK430, CLK55

ERI 5769

RESTRAINT SYSTEMS (CONT)

3	lower	98-01B	.40#	129 868 01 87
4	Adjuster	98-01B	3.20	202 868 01 86
5	cover	98-01B	2.40	208 868 01 39
6	Buckle	98-01R	51.00	0.5 208 860 18 69
		98-01L	51.00	0.5 208 860 17 69
7	bracket	98-01B	4.70†	126 868 07 14
8	seal	98-01B	4.00†	126 868 00 98

PARTS: Part is included with belt & retractor.
† PARTS: Part is included with buckle.



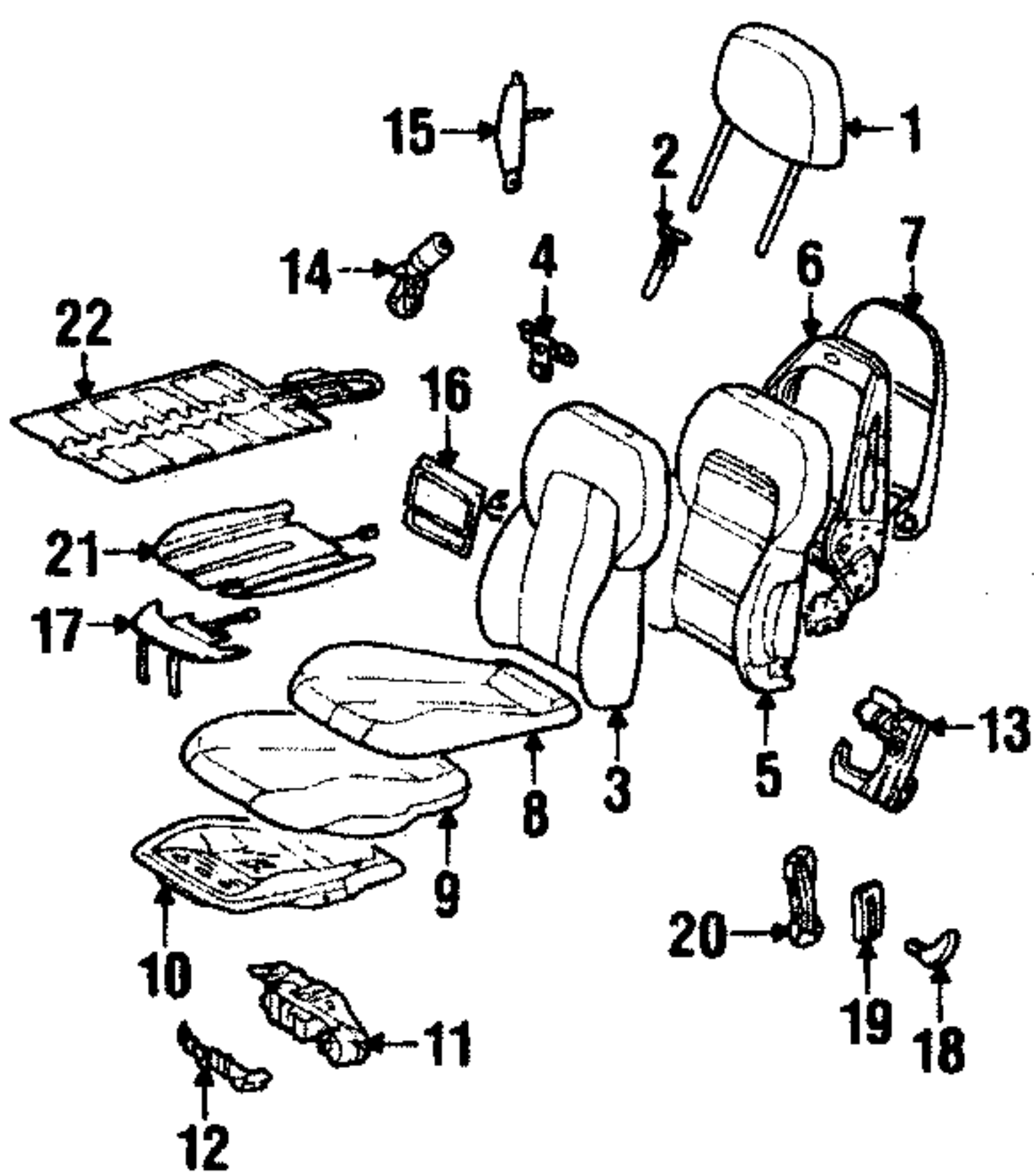
5769307

REAR SEAT BELTS CONVERTIBLE

Belt & retractor				
1	anthracite	99-01B	95.00	1.5 208 860 21 859A86
	quartz	99-01B	95.00	1.5 208 860 21 858G75
	gray	99-01B	95.00	1.5 208 860 21 857D50
stop				
2	upper	99-01B	.40#	129 868 00 87
3	lower	99-01B	.40#	129 868 01 87
4	belt	99-01B	2.00#	140 984 00 33
5	seal	99-01B	.70#	017 997 34 48
6	Buckle	99-01B	129.00	0.5 208 860 15 69
7	screw	99-01B		208 990 00 01

PARTS: Part is included with belt & retractor.
† PARTS: Part is included with buckle.

SEATS & TRACKS



5769310

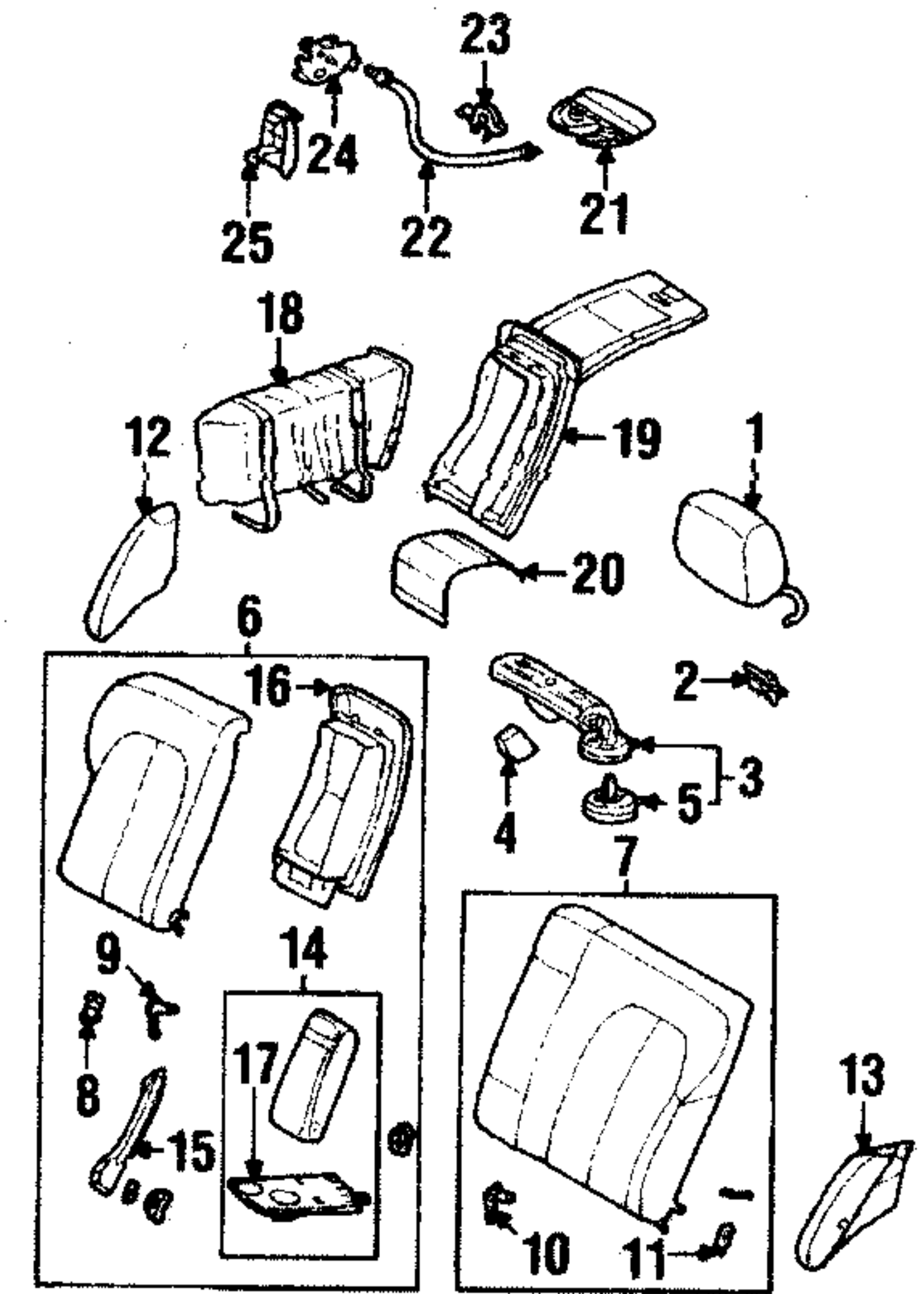
R&I seat		
front	98-01	1.0
rear	98-01	1.0
complete	98-01	1.0

PARTS AND R&R OPERATIONS FRONT SEAT COMPONENTS

1 Headrest				
	anthracite	98-01B	416.00#	0.3 208 970 01 509B50
	quartz	98-01B	416.00#	0.3 208 970 01 508G70
	gray	98-01B	416.00#	0.3 208 970 01 507D44
2 guide				
	anthracite	98-01B	1.50	210 970 02 417C45
	quartz	98-01B	1.50	210 970 02 418G69
	gray	98-01B	1.50	210 970 02 417D43
3 Seat back cover				
	anthracite	98-99B	515.00#	1.5 208 910 18 479B50
		00-01B	505.00#	1.5 208 910 21 479B50
	quartz	98-99B	515.00#	1.5 208 910 18 478G70

	gray	98-99B	515.00#	1.5 208 910 18 477D44
		00-01B	505.00#	1.5 208 910 21 477D44
4	clip	98-01B		140 988 46 78
5 Seat back pad				
	w/o seat heater	98-99R	132.00	208 910 10 16
		98-99L	138.00	208 910 01 16
	w/seat heater	98-99R	135.00	208 910 02 16
		98-99L	135.00	208 910 09 16
	all	00-01R	135.00	208 910 14 16
		00-01L	135.00	208 910 13 16
6 Seat back frame				
	to 06/98	98 R	294.00	208 910 12 34
		98 L	310.00	208 910 11 34
	from 07/98	99 R	316.00	208 910 22 34
		99 L	300.00	208 910 21 34
		00-01R	310.00	208 910 34 34
		00-01L	330.00	208 910 33 34
7 Rear cover				
	anthracite	98-01B	165.00	208 910 02 399B50
	quartz	98-01B	165.00	208 910 02 398G70
	gray	98-01B	165.00	208 910 02 397D44
8 Cushion cover				
	w/o multicontour seats			
	anthracite	98-99B	478.00#	1.7 208 910 22 469B50
		00-01B	442.00#	1.7 208 910 28 469B50
	quartz	98-99B	478.00#	1.7 208 910 22 468G70
		00-01B	442.00#	1.7 208 910 28 468G70
	gray	98-99B	478.00#	1.7 208 910 22 467D44
		00-01B	442.00#	1.7 208 910 28 467D44
	w/multicontour seats			
	anthracite	98-99B	478.00#	1.7 208 910 23 469B50
		00-01B	480.00#	1.7 208 910 29 469B50
	quartz	98-99B	478.00#	1.7 208 910 23 468G70
		00-01B	480.00#	1.7 208 910 29 468G70
	gray	98-99B	478.00#	1.7 208 910 23 467D44
		00-01B	480.00#	1.7 208 910 29 467D44
9 Seat cushion pad				
	w/o multicontour	98-99B	117.00	208 910 04 50
		00-01B	114.00	208 910 06 50
	w/multicontour	98-99B	117.00	208 910 05 50
		00-01B	114.00	208 910 07 50
10 Cushion frame				
		98-01B	191.00	208 910 01 22
11 bracket				
	w/o memory	98-01	3.40	210 545 43 40
	w/memory pkg	98-01	1.50	210 545 44 40
12 cap				
		98-01	.85	210 545 11 03
Motor Assy				
13	seat folding	98-01B	124.00	210 970 00 26
14 backrest adjuster				
	to 6/98	98 R	165.00	1.5 210 820 22 42
		98 L	165.00	1.5 210 820 21 42
	from 7/98	99-01R	202.00	1.5 208 820 21 42
		99-01L	175.00	1.5 208 820 21 42
Adapter				
	multi contour seats			
15	backrest side	98-01R	36.50	208 910 06 75
		98-01L	36.50	208 910 05 75
16	backrest center	98-01B	56.00	208 910 07 75
17	cushion	98-01B	40.50	208 910 04 75
18 Adjust lever				
	coupe			
	anthracite	98-99R	7.50	208 910 02 719B51
		98-99L	7.00	208 910 01 719B51
		00-01R	7.25	208 910 06 719B51
		00-01L	7.00	208 910 05 719B51
	quartz	98-99R	7.50	208 910 02 718G69
		98-99L	7.00	208 910 01 718G69
		00-01R	7.25	208 910 06 718G69
		00-01L	7.00	208 910 05 718G69
	gray	98-99R	7.50	208 910 02 717D43
		98-99L	7.00	208 910 01 717D43
		00-01R	7.25	208 910 06 717D43
		00-01L	7.00	208 910 05 717D43
	convertible			
	anthracite	99 B	12.50	208 918 00 609B51
		00-01B	7.25	208 910 07 719B51
	quartz	99 B	12.50	208 918 00 608G69
		00-01B	7.25	208 910 07 718G69
	gray	99 B	12.50	208 918 00 607D43
		00-01B	7.25	208 910 07 717D43
19 cover				
	anthracite	98-99B	2.50	208 919 00 209B51
		00-01B	2.70	208 919 01 209B51
	quartz	98-99B	2.50	208 919 00 208G69
		00-01B	2.70	208 919 01 208G69
	gray	98-99B	2.50	208 919 00 207D43
		00-01B	2.70	208 919 01 207D43
20 reinforcement				
		98-99B	2.20	208 919 00 16
		00-01B	2.20	208 919 01 16
21 Seat heater				
		98-01B	96.00	208 820 04 98
22 Occupant sensor				
		98-01B	118.00	208 820 53 10

PARTS: Order by color and description.

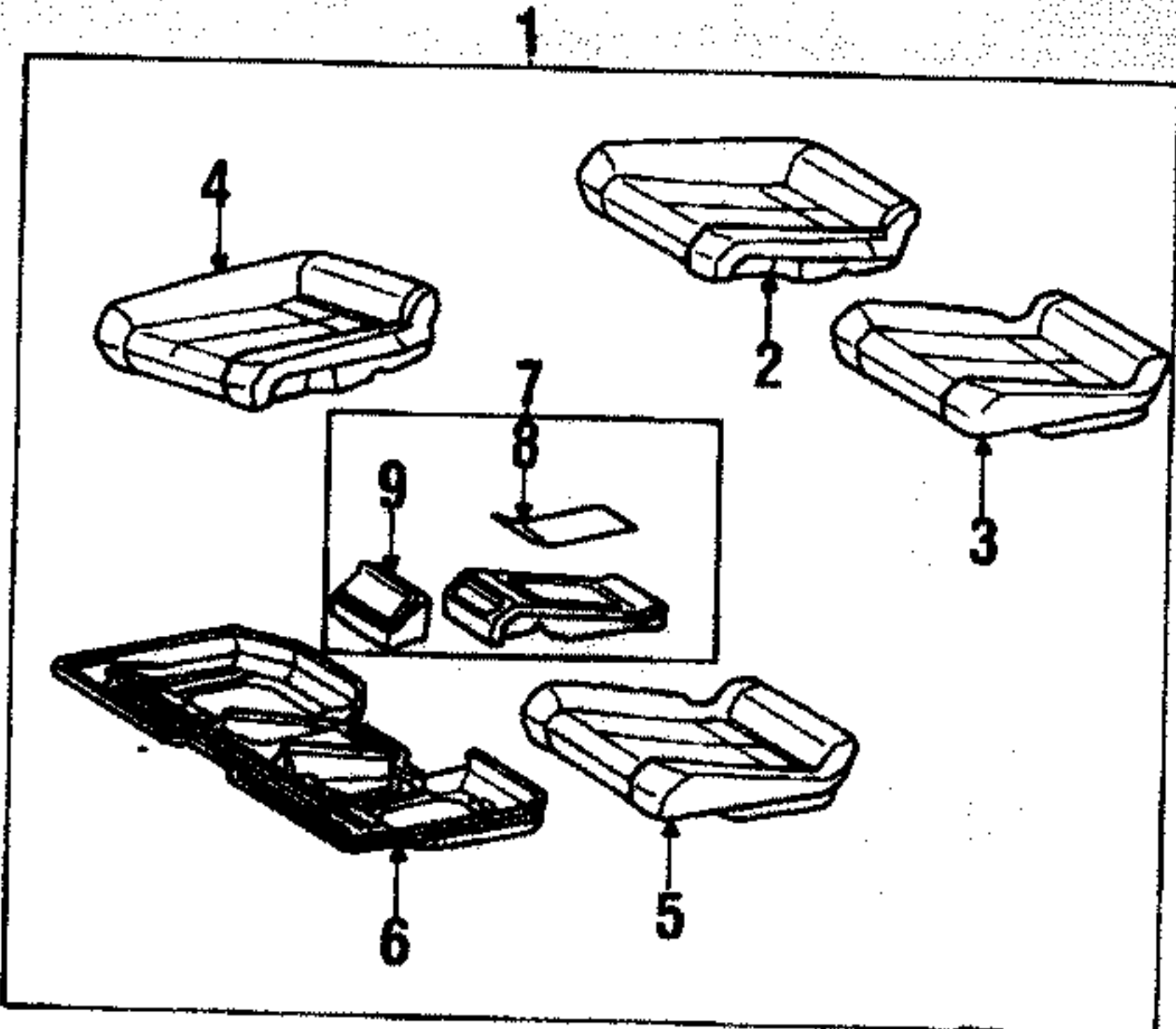


5769315

REAR SEAT COMPONENTS HEADREST & SEAT BACK COUPE

1 Headrest				
	leather			
	anthracite	98-01B	416.00*	0.3 208 970 03 509B50
	quartz	98-01B	416.00*	0.3 208 970 03 508G70
	gray	98-01B	416.00*	0.3 208 970 03 507D44
2 cover				
	anthracite	98-01B	2.50	202 970 00 297C45
	quartz	98-01B	2.50	202 970 00 298G69
	gray	98-01B	2.50	202 970 00 297D43
3 Actuator Assy				
		98-01B	94.00	202 970 04 25
4 Insulator				
		98-01B	1.20	202 978 01 95
5 Actuator				
		98-01B	9.75#	210 800 12 75
Seat back Assy				
6 right side				
	anthracite	98-01	895.00@	1.0 208 920 04 309B50
	quartz	98-01	@	1.0 208 920 04 308G70
	gray	98-01	895.00@	1.0 208 920 04 307D44
7 left side w/o ski bag				
	anthracite	98-01	905.00@	1.0 208 920 03 309B50
	quartz	98-01	905.00@	1.0 208 920 03 308G70
	gray	98-01	905.00@	1.0 208 920 03 307D44
left side w/ski bag				
	anthracite	98-01	@	1.0 208 920 13 309B50
	quartz	98-01	@	1.0 208 920 13 308G70
	gray	98-01	@	1.0 208 920 13 307D44
support				
8 right seat				
		98-01R	3.70†	202 920 04 24
		98-01L	4.80†	202 920 02 24
9 left seat				
		98-01R	5.25†	202 920 01 24
		98-01L	4.00†	202 920 07 24
Outer panel				
12 anthracite				
		98-01R	*	0.3 208 920 08 309B50
		98-01L	*	0.3 208 920 07 308G70
13 quartz				
		98-01R	186.00*	0.3 208 920 08 308G70
		98-01L	194.00*	0.3 208 920 07 308G70
gray				
		98-01R	186.00*	0.3 208 920 08 307D44
		98-01L	*	0.3 208 920 07 307D44
14 Armrest Assy				
	anthracite	98-01	368.00‡	0.3 208 970 04 309B50
	quartz	98-01	368.00‡	0.3 208 970 04 308G70
	gray	98-01	368.00‡	0.3 208 970 04 307D44
15 side cover				
		98-01	25.00‡	202 923 00 22
16 rear cover				
		98-01	64.00‡	208 920 00 86
17 Cup holder				
		98-01	25.50†	208 970 01 74
18 Ski bag				
		98-01	280.00	202 840 01 62
19 Retractor				
		98-01	258.00	208 920 01 65
20 Flap				
		98-01	102.00	202 840 00 07
21 Release lever				
		98-01R	7.75	202 920 02 64
		98-01L	7.50	202 920 01 64
22 Cable				
		98-01B		208 920 00 80
23 clamp				
		98-01B	.50	000 995 68 44
24 Lock				
		98-01B	29.00	202 920 13 72
25 spring				
		98-01B	1.50	208 929 00 34

PARTS: Part is included in actuator assembly.
† PARTS: Part is included in seat back assembly.
‡ PARTS: Part is included in right seat back assembly.
Order by color and description.
† PARTS: Part is included in armrest assembly.
@ PARTS: Order by color and description. LABOR: Time is for rear seat complete.
* PARTS: Order by color and description.

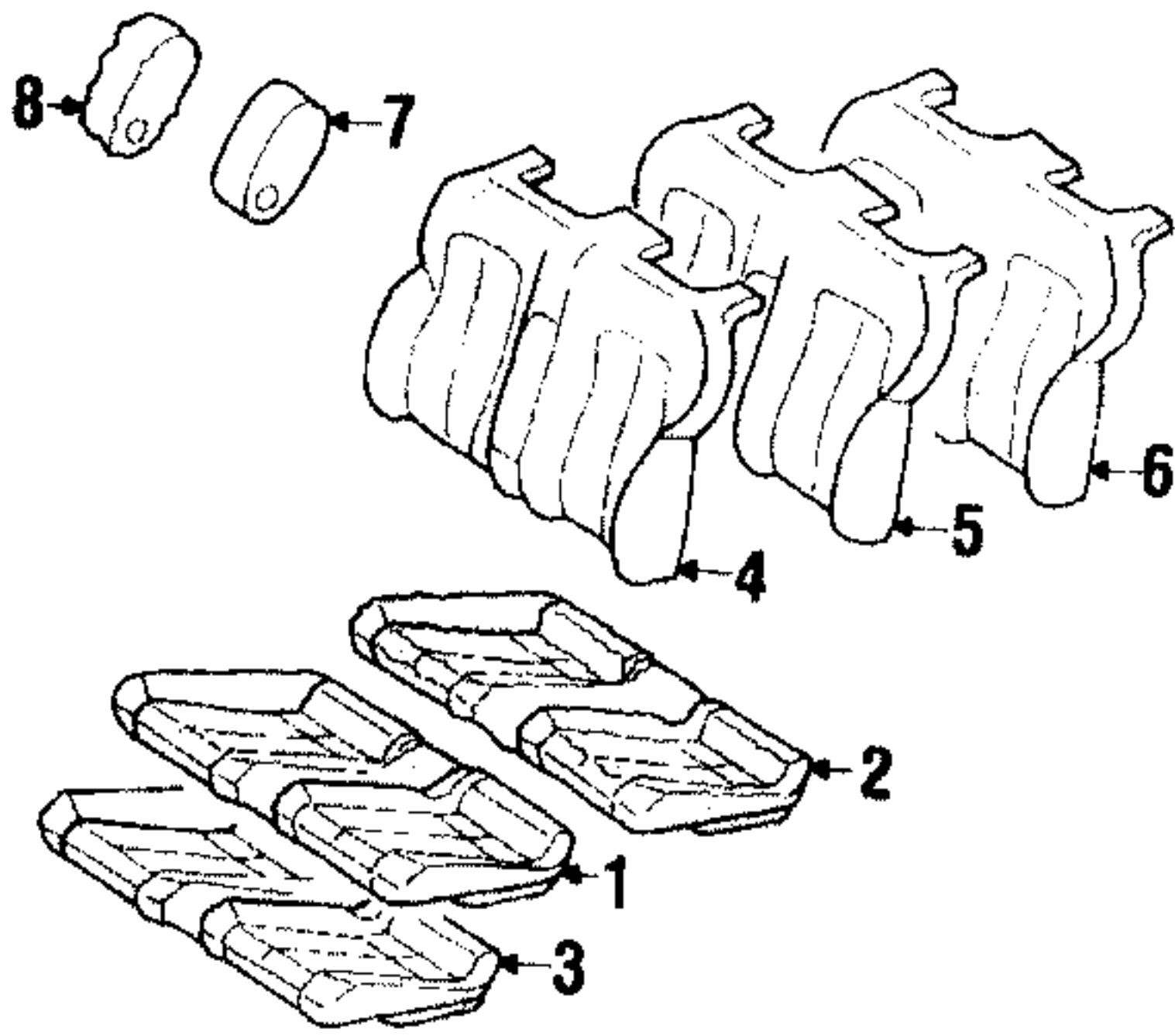


5769320

REAR SEAT COMPONENTS SEAT CUSHION COUPE

1 Cushion assy					
anthracite	98-01	@	1.0	208 920 03 219B50	
quartz	98-01	1260.00@	1.0	208 920 03 218G70	
gray	98-01	@	1.0	208 920 03 217D44	
Cushion cover					
2 anthracite	98-01R	442.00#	0.8	208 920 04 469B50	
3 quartz	98-01L	442.00#	0.8	208 920 03 469B50	
	98-01R	442.00#	0.8	208 920 04 468G70	
	98-01L	442.00#	0.8	208 920 03 468G70	
	98-01R	442.00#	0.8	208 920 04 467D44	
	98-01L	442.00#	0.8	208 920 03 467D44	
4 Pad	98-01R	180.00†		208 920 02 50	
5	98-01L	169.00†		208 920 01 50	
6 Cushion frame	98-01	85.00†		208 920 01 22	
Center panel					
anthracite	98-01	92.00†	0.3	208 840 00 749B50	
quartz	98-01	92.00†	0.3	208 840 00 748G70	
gray	98-01	92.00†	0.3	208 840 00 747D44	
8 Lining					
anthracite	98-01	38.50†		208 843 00 859B70	
quartz	98-01	38.50†		208 843 00 858G73	
gray	98-01	38.50†		208 843 00 857D48	
9 Ashtray					
anthracite	98-01	35.50†		208 810 04 307211	
quartz	98-01	35.50†		208 810 04 301424	
gray	98-01	35.50†		208 810 04 307208	

PARTS: Part is included in cushion assembly. Order by color and description.
 † PARTS: Part is included in cushion assembly.
 ‡ PARTS: Part is included with center armrest.
 @ PARTS: Order by color and description. LABOR: Time is for rear seat complete.



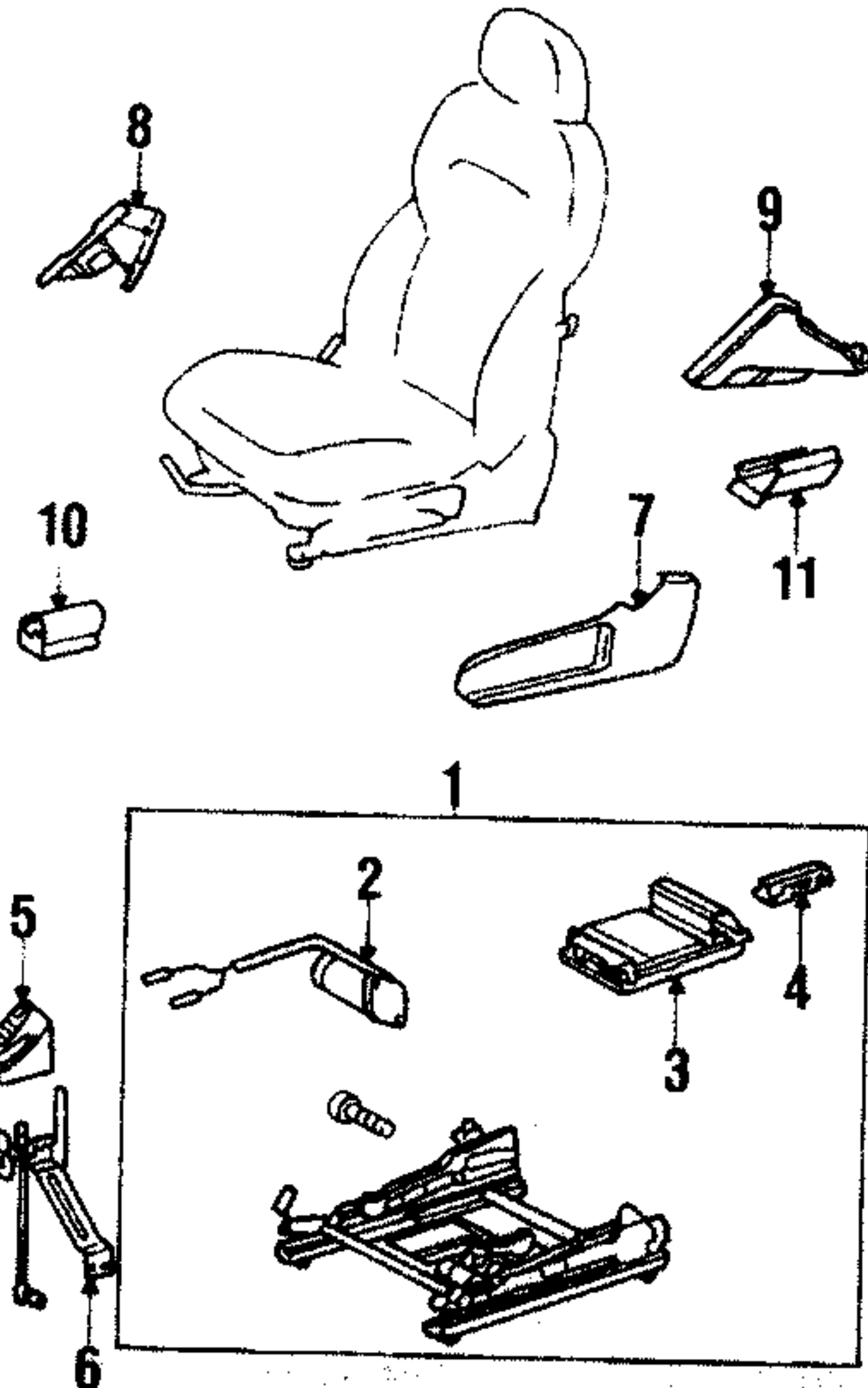
5769322

REAR SEAT COMPONENTS CONVERTIBLE

1 Cushion assy					
anthracite	99-01	@	0.8	208 920 13 219B50	
quartz	99-01	1200.00@	0.8	208 920 13 218G70	
gray	99-01	1200.00@	0.8	208 920 13 217D44	
2 Cushion cover					
anthracite	99-01	1020.00#	1.8	208 920 19 469B50	
quartz	99-01	1020.00#	1.8	208 920 19 468G70	
gray	99-01	1020.00#	1.8	208 920 19 467D44	
3 Pad	99-01	194.00#		208 920 07 50	
4 Seat back assy					
anthracite	99	1360.00†	1.0	208 920 16 309B50	
	00-01	1360.00†	1.0	208 920 48 309B50	
quartz	99	1360.00†	1.0	208 920 16 308G70	
	00-01	1360.00†	1.0	208 920 48 308G70	
gray	99	1360.00†	1.0	208 920 16 307D44	
	00-01	1360.00†	1.0	208 920 48 307D44	
5 Cushion cover					
anthracite	99-01	1090.00†	2.2	208 920 15 479B50	
quartz	99-01	1090.00†	2.2	208 920 15 478G70	
gray	99-01	1090.00†	2.2	208 920 15 477D44	

6 Pad	99-01			208 920 11 16
7 Armrest				
anthracite	99-01	354.00†	0.3	208 970 09 309B50
quartz	99-01	354.00†	0.3	208 970 09 309B50
gray	99-01	354.00†	0.3	208 970 09 307D44
8 Armrest cover				
anthracite	99-01	136.00†		208 970 06 479B50
quartz	99-01	136.00†		208 970 06 479B50
gray	99-01	136.00†		208 970 06 477D44
Roll bar	99-01			SEE FOOTNOTE

PARTS: Part is included with cushion assembly. Order by color and description.
 † PARTS: Part is included with seat back assembly. Order by color and description.
 ‡ PARTS: Part is included with armrest. Order by color and description.
 † PARTS: Order by color and description.
 @ PARTS: Order by color and description. LABOR: Time is for rear seat complete.
 * PARTS: Part is listed in convertible/soft top group under roll bar & headrest assembly.



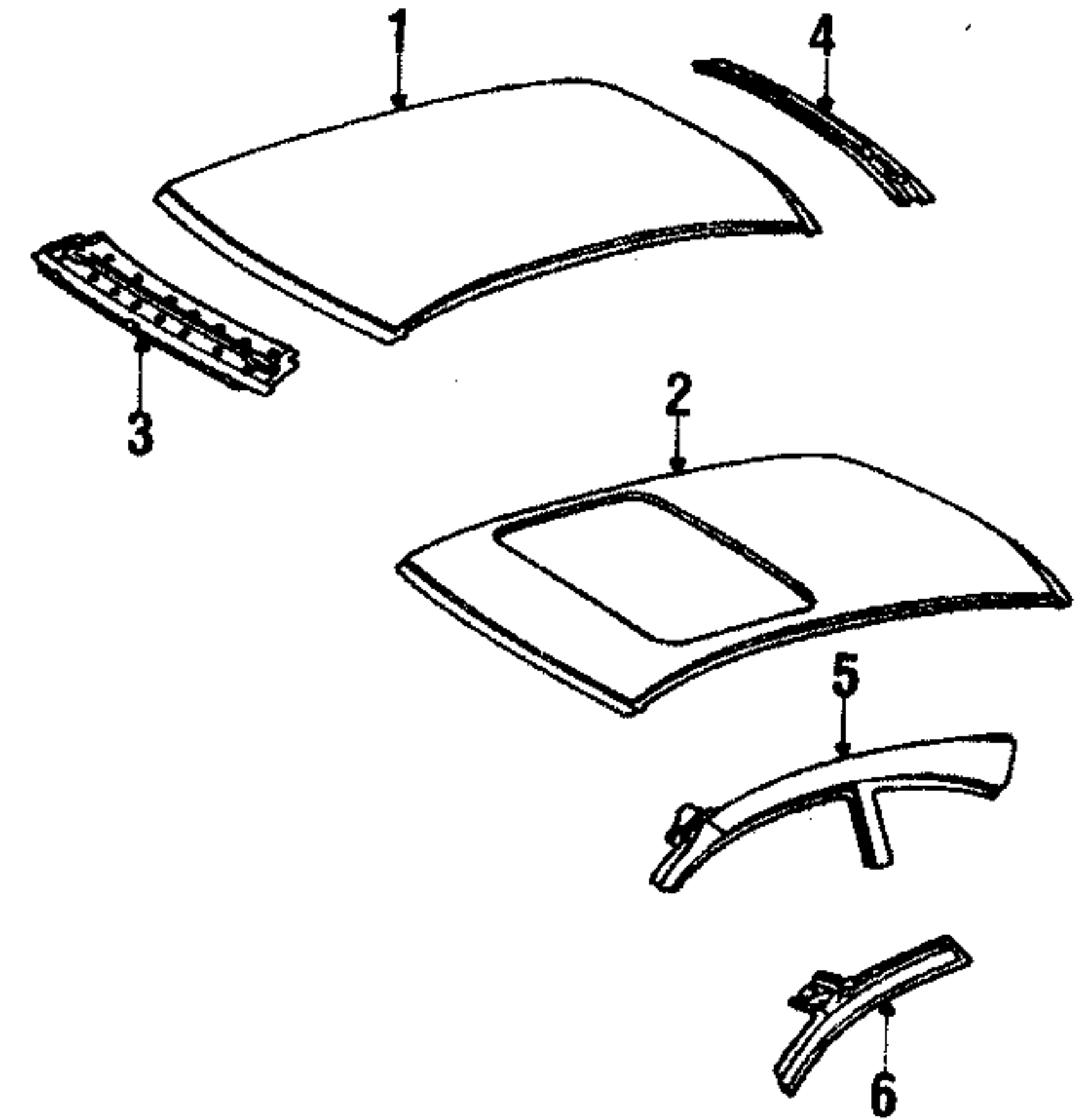
5769325

TRACKS & COMPONENTS

1 Seat adjust assy					
driver seat					
w/o motor	98-01L	370.00	1.5	208 910 01 85	
w/motors	98-01L	1220.00	1.5	208 910 26 36	
passenger seat					
w/o motor	98-01R	350.00	1.5	208 910 02 85	
w/motors	98-01R	1220.00	1.5	208 910 25 36	
2 Motor					
height adjuster	98-01B	102.00†		210 820 12 42	
fore & aft adjust	98-99B	104.00†		208 820 08 42	
	00-01B	94.00†		208 820 25 42	
3 Control module	98-01R	282.00†		208 820 06 26	
	98-01L	282.00†		208 820 05 26	
4 bracket	98-01B	.70†		210 919 00 14	
5 Valve	98-01B	78.00		210 800 01 78	
6 bracket	98-01R	12.50		208 910 02 14	
	98-01L	12.50		208 910 01 14	
7 Side cover					
anthracite	98-01R	23.50	0.3	208 918 08 309B51	
	98-01L	23.50	0.3	208 918 07 309B51	
quartz	98-01R	23.50	0.3	208 918 08 308G69	
	98-01L	23.50	0.3	208 918 07 308G69	
gray	98-01R	23.50	0.3	208 918 08 307D43	
	98-01L	23.50	0.3	208 918 07 307D43	
8 Inner cover					
anthracite	98-01R	9.25	0.2	208 918 04 309B51	
	98-01L	9.00	0.2	208 918 03 309B51	
quartz	98-01R	9.25	0.2	208 918 04 308G69	
	98-01L	9.00	0.2	208 918 03 308G69	
gray	98-01R	9.25	0.2	208 918 04 307D43	
	98-01L	9.00	0.2	208 918 03 307D43	
9 Upper cover					
anthracite	98-01R	8.50	0.2	208 918 10 309B51	
	98-01L	9.25	0.2	208 918 09 309B51	
quartz	98-01R	8.50	0.2	208 918 10 308G69	
	98-01L	9.25	0.2	208 918 09 308G69	
gray	98-01R	8.50	0.2	208 918 10 307D43	
	98-01L	9.25	0.2	208 918 09 307D43	
Track end cover					
10 front	98-01R	2.00	0.1	202 919 04 20	
	98-01L	2.00	0.1	202 919 03 20	
11 rear outer	98-01R	2.40	0.1	202 919 06 20	
	98-01L	2.20	0.1	202 919 05 20	
rear inner	98-01R	2.20	0.1	202 919 08 20	
	98-01L	2.00	0.1	202 919 07 20	

† PARTS: Part is included with seat adjust assembly.

ROOF COUPE



5769330

R&I OPERATIONS

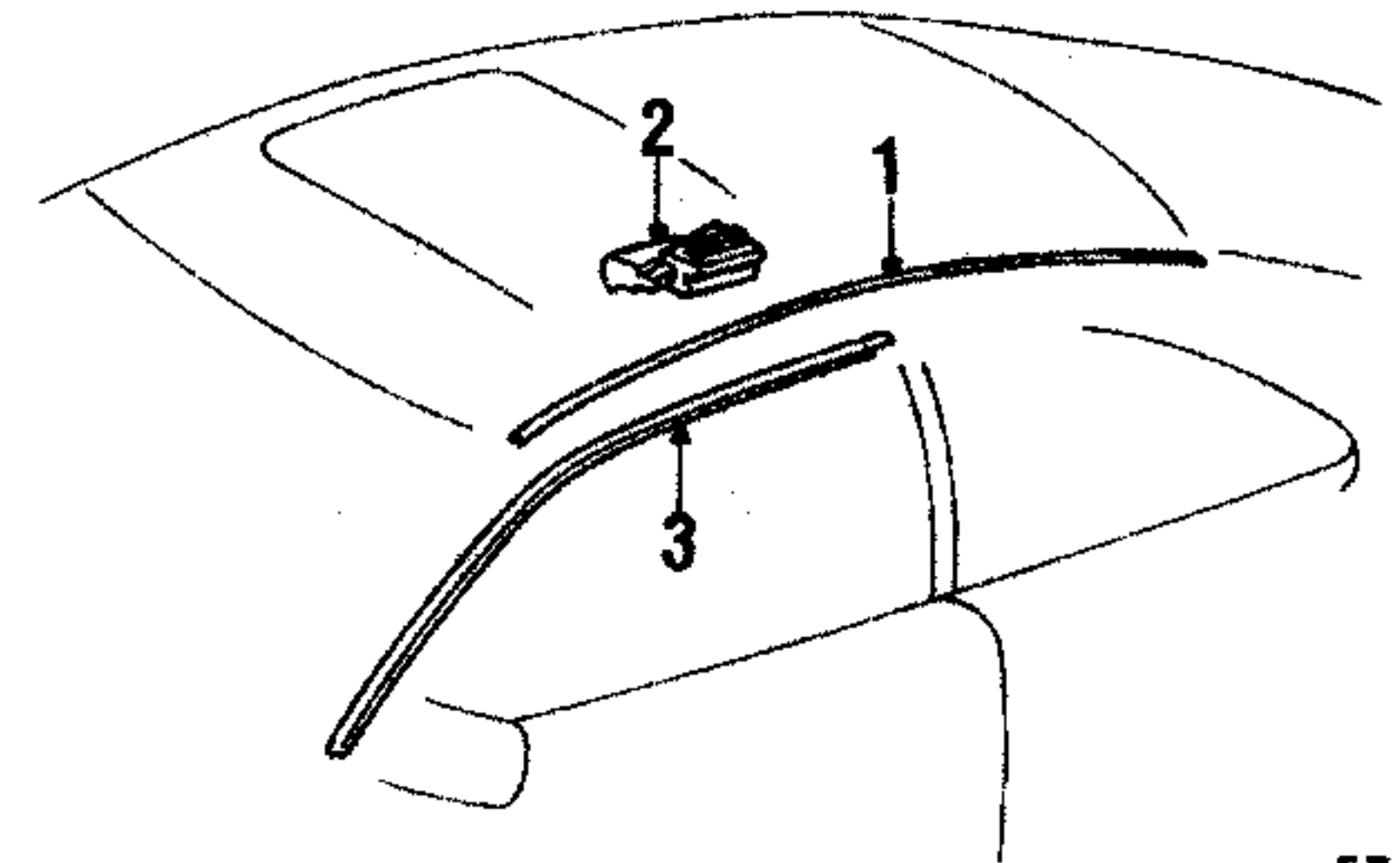
R&I headliner	98-01	4.5
---------------	-------	-----

PARTS AND R&R OPERATIONS

ROOF & COMPONENTS

Roof panel					
1 w/o sunroof	(p.2.8) 98-01	294.00	24.5	208 657 01 09	
2 w/sunroof	(p.3.0) 98-01	398.00	27.0	208 650 01 09	
Header panel					
3 front	98-01	62.00#	3.0	208 650 01 01	
4 rear	98-01	43.50#	3.0	208 651 03 01	
Roof rail					
5 outer	(p1.2) 98-01R	194.00†	12.5	208 630 02 35	
	(p1.2) 98-01L	194.00†	12.5	208 630 01 35	
6 inner	98-01R	40.00#	2.0	208 637 02 21	
	98-01L	36.50#	2.0	208 637 01 21	

LABOR: After roof panel is removed.
 † LABOR: After glass, trim and all necessary bolted on parts are removed. Refinish time included w/roof when painting roof.



5769335

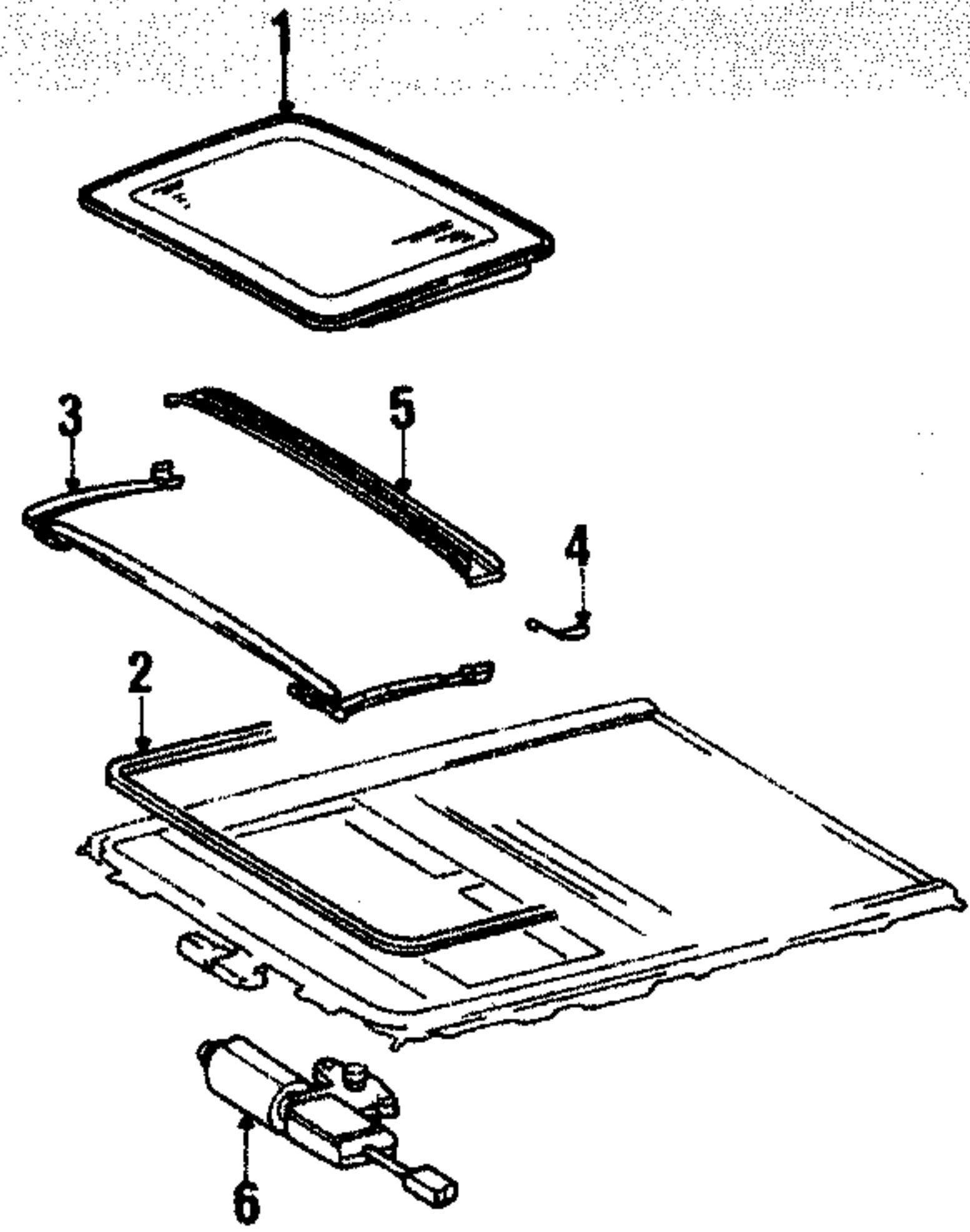
EXTERIOR TRIM

1 Roof molding					
black	(p.4) 98-01R	91.00#	0.5	208 690 04 809040	
	(p.4) 98-01L	91.00#	0.5	208 690 03 809040	
white	(p.4) 98-01R	91.00#	0.5	208 690 04 809143	
	(p.4) 98-01L	91.00#	0.5	208 690 03 809143	
silver	(p.4) 98-01R	91.00#	0.5	208 690 04 809744	
	(p.4) 98-01L	91.00#	0.5	208 690 03 809744	
2 clip	98-01B	1.90		208 690 03 13	
3 Drip molding					
w/o elegance pkg	98-01R	114.00		208 690 08 39	
	98-01L	114.00		208 690 07 39	
w/elegance pkg	98-01R	134.00		208 690 06 39	
	98-01L	134.00		208 690 05 39	

PARTS: Order by color. LABOR: Refinish time is provided for those instances when required color is not available or for some repair situations.

CONTINUED

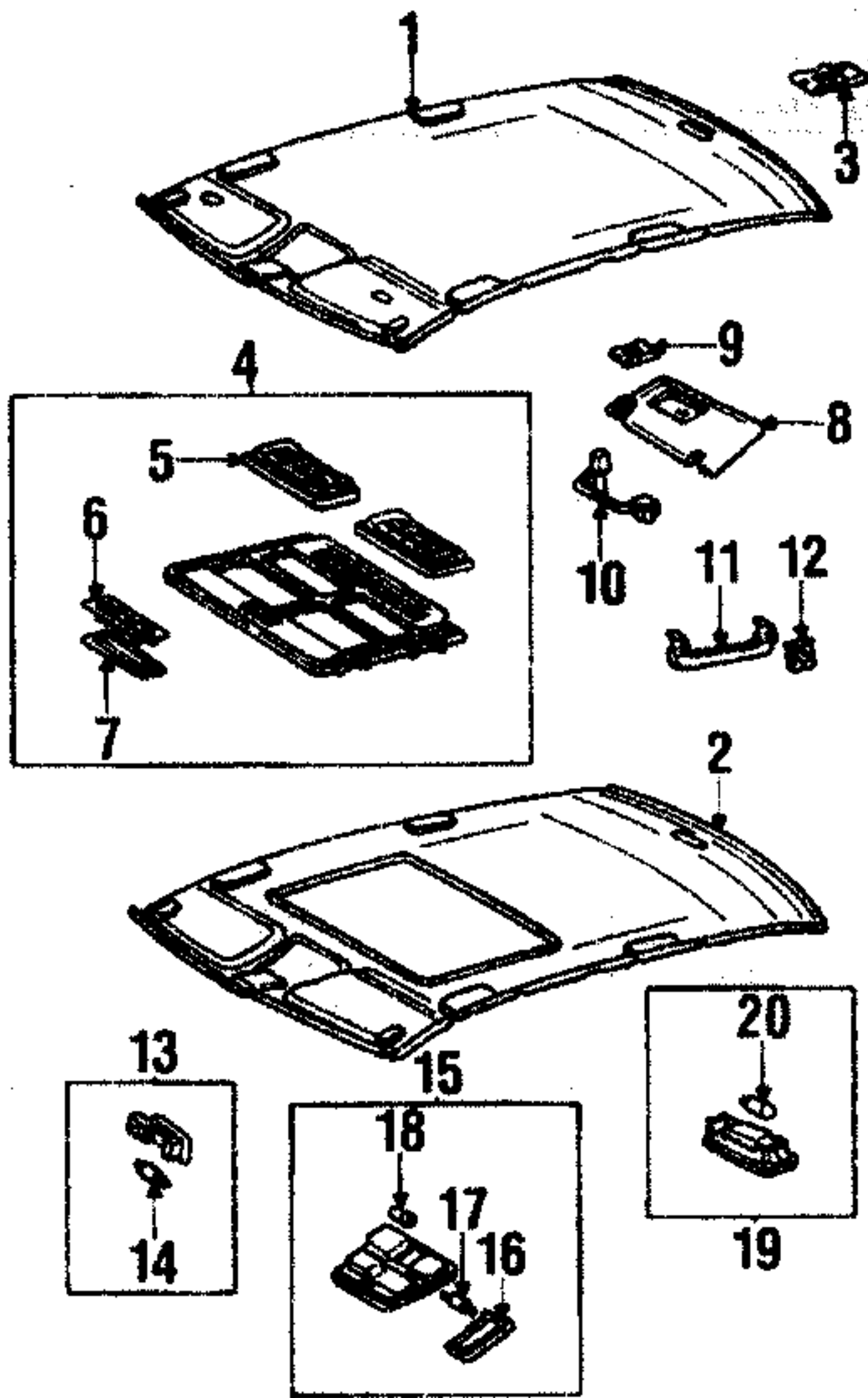
CONVERTIBLE/SOFT TOP



5769340

ROOF COUPE (CONT)

SUNROOF				
1 Glass assy	98-01	630.00	1.5	208 780 00 21
Frame assy	98-01	660.00	1.5	208 780 01 29
2 Seal	98-01	6.00		123 782 00 98
Air deflector				
3 front	98-99		0.4	208 780 00 36
	00-01		0.4	NOT LISTED
center	98-01	42.50		208 784 00 70
side	98-01R	20.00		208 784 02 70
	98-01L	20.00		208 784 01 70
4 spring	98-00	.85		140 782 03 35
5 Drip channel	98-01	9.00		208 782 00 24
Side trim	98-01R	9.25		208 784 02 09
	98-01L	9.25		208 784 01 09
6 Motor	98-01	362.00	1.5	208 820 00 42



5769345

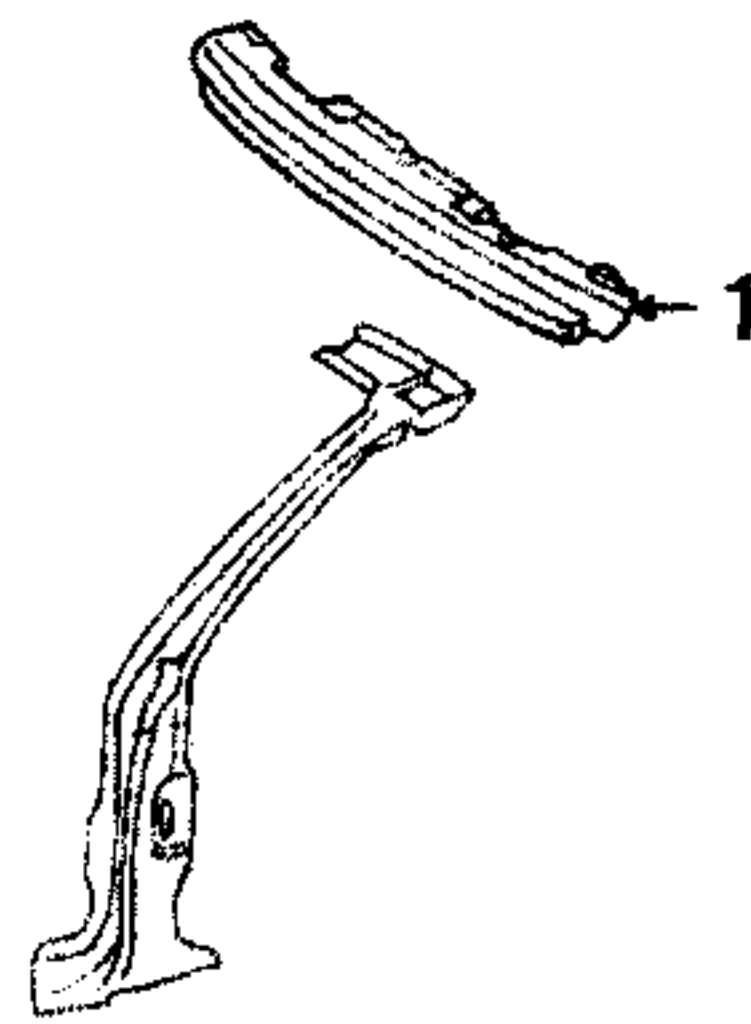
INTERIOR TRIM

Headliner				
1 w/o sunroof				
anthracite, gray	98-01	418.00	4.5=	208 690 03 507D48
quartz	98-01	418.00	4.5=	208 690 03 508G73
2 w/sunroof				
anthracite, gray	98-01	460.00	4.5=	208 690 00 507D48
quartz	98-01	460.00	4.5=	208 690 00 508G73
3 clip	98-01	.50		210 988 10 78
Sunshade				
anthracite, gray	98-01	440.00	1.4	208 780 00 407D48
quartz	98-01	440.00	1.4	208 780 00 408G73
Cover				
anthracite, gray	98-01	11.50#		202 784 01 447D43
quartz	98-01	11.50#		202 784 01 448G69
Handle				
6 upper				
anthracite, gray	98-01	5.25#		202 784 04 817D43
quartz	98-01	5.25#		202 784 04 818G69
7 lower				
anthracite, gray	98-01	5.25#		202 784 05 817D43
quartz	98-01	5.25#		202 784 05 818G69

8 Sunvisor				
anthracite, gray	98 R	109.00	0.3	208 810 10 107D52
	98 L	109.00	0.3	208 810 09 107D52
	99-01R	114.00	0.3	208 810 20 107D52
	99-01L	114.00	0.3	208 810 19 107D52
quartz	98 R	109.00	0.3	208 810 10 108G77
	98 L	109.00	0.3	208 810 09 108G77
	99-01R	114.00	0.3	208 810 20 108G77
	99-01L	114.00	0.3	208 810 19 108G77
9 retainer	98-01B	.50		123 994 20 45
10 Contact assy				
anthracite, gray	98-01	32.00		208 810 00 127D43
quartz	98-01	32.00		208 810 00 128G69
11 Assist strap				
front				
anthracite, gray	98-01B	12.50	0.2	208 810 01 517D43
quartz	98-01B	12.50	0.2	208 810 01 518G69
rear				
anthracite, gray	98-01R	13.50	0.2	208 810 04 517D43
	98-01L	13.50	0.2	208 810 03 517D43
quartz	98-01R	13.50	0.2	208 810 04 518G69
	98-01L	13.50	0.2	208 810 03 518G69
12 retainer	98-01	.40		000 994 06 45
13 Visor lamp	98-01B	5.75		208 820 05 01
14 Bulb	98-01B	1.20†		072 601 01 2130
15 Map lamp assy				
w/o sunroof				
anthracite, gray	98-01	456.00	0.3	208 820 15 017D43
quartz	98-01	456.00	0.3	208 820 15 018G69
w/sunroof				
anthracite, gray	98-01	505.00	0.3	208 820 17 017D43
quartz	98-01	505.00	0.3	208 820 17 018G69
16 Lens	98-01R	11.50‡		202 825 02 10
	98-01L	11.50‡		202 825 01 10
Bulb				
17 interior lamp	98-01	1.60‡		072 601 01 2120
18 reading lamp	98-01	2.70‡		002 544 38 94
19 Dome lamp assy				
w/o parktronic				
	98-01	22.00		202 820 12 01
w/parktronic				
	98-01	234.00		210 820 14 01
20 Bulb				
w/o parktronic	98-01	1.60†		072 601 01 2120
w/parktronic	98-01	1.20†		072 601 01 2130

PARTS: Part is included with sunshade.
 † PARTS: Part is included with visor lamp.
 ‡ PARTS: Part is included in map lamp assembly.
 † PARTS: Part is included in dome lamp assembly.

ROOF CONVERTIBLE

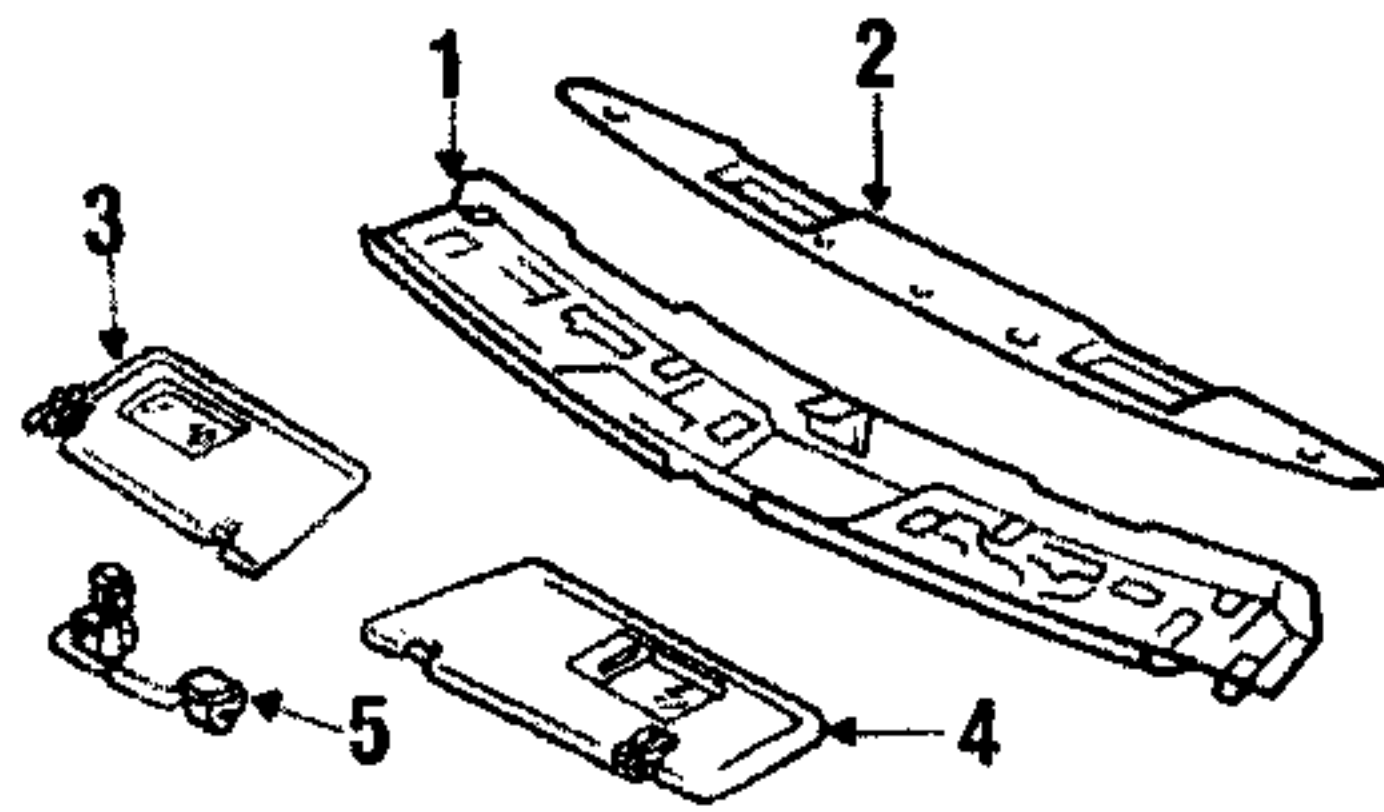


5769550

WINDSHIELD HEADER & COMPONENTS

1 Header panel	99-01	69.00‡	2.0	208 650 04 01
----------------	-------	--------	-----	---------------

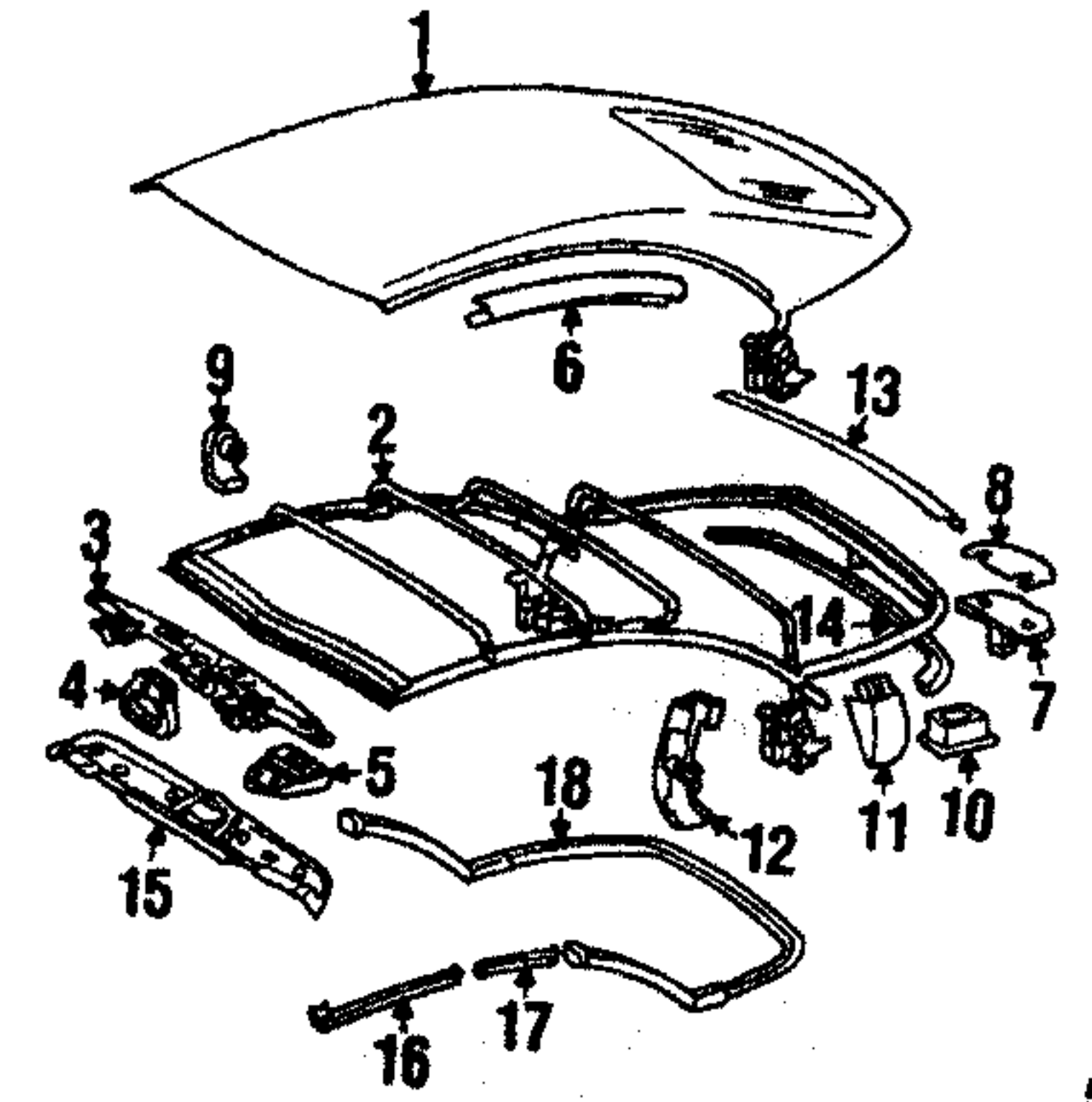
‡ LABOR: After windshield and necessary trim is removed.



5769555

INTERIOR TRIM

Panel				
1 lower, roof rail				
anthracite	99-01	187.00	0.5	208 690 30 257D44
quartz	99-01L	187.00	0.5	208 690 30 258G70
gray	99-01	187.00	0.5	208 690 30 257D44
2 upper, roof rail	99-01	129.00	0.3	208 690 33 259B50
Sunvisor				
3 anthracite, gray	99-01R	144.00	0.3	208 810 24 107D52
	99-01L	154.00	0.3	208 810 23 107D52
4 quartz	99-01R	144.00	0.3	208 810 24 108G77
	99-01L	154.00	0.3	208 810 23 108G77
5 pivot	99-01B	45.00		208 810 01 127D43

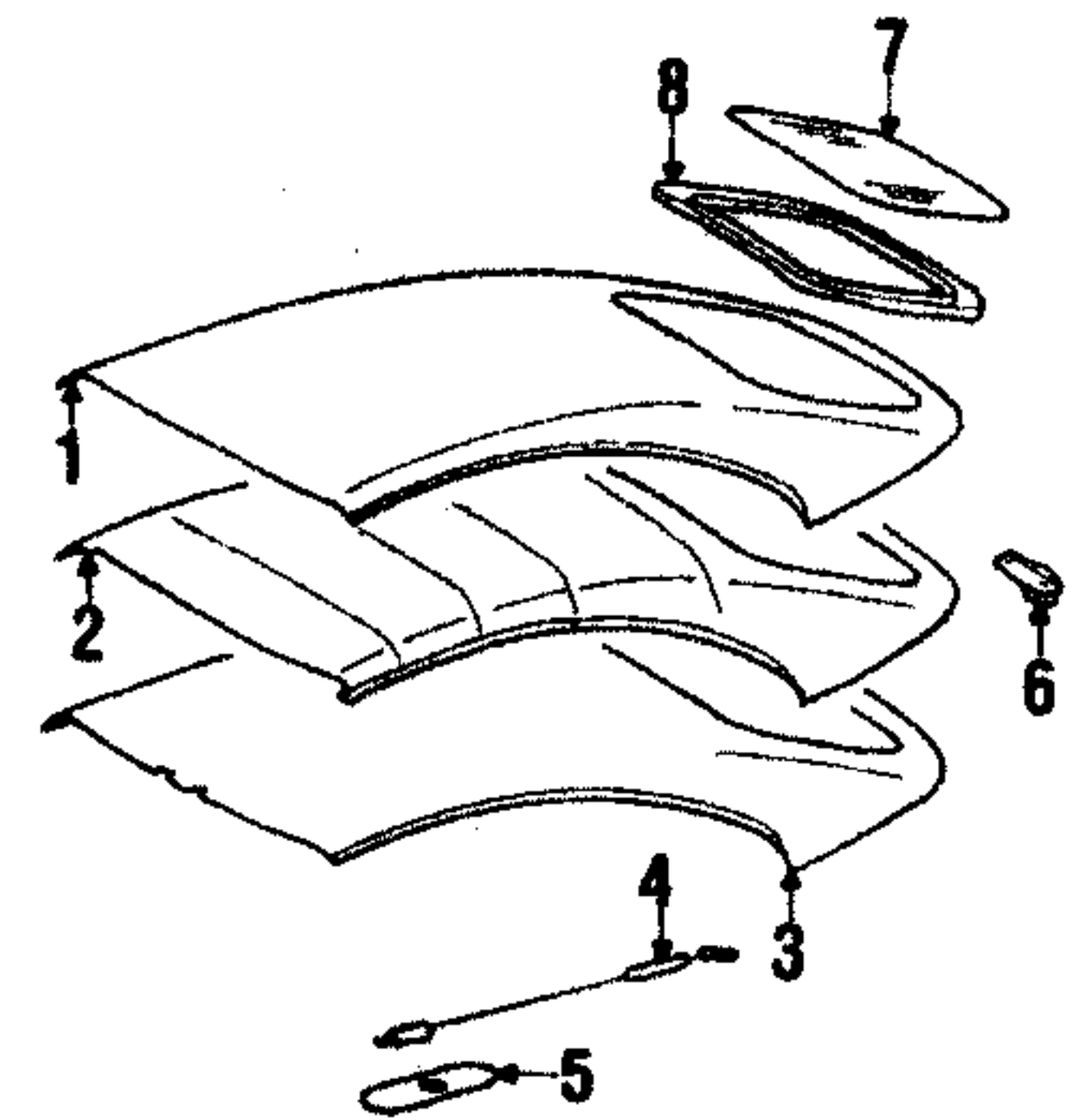


5769346

FRAME & COMPONENTS

1 Top assy				
anthracite	99	11900.00#	12.3	208 770 02 019C49
blue	99	11900.00#	12.3	208 770 02 015C49
gray	99	11900.00#	12.3	208 770 02 017E49
w/Elegance				
anthracite	00-01	11900.00#	12.3	208 770 02 019C49
blue	00-01	11900.00#	12.3	208 770 02 015C49
gray	00-01	11900.00#	12.3	208 770 02 017E49
w/Avantgarde				
anthracite	00-01	11250.00#	12.3	208 770 04 019C49
blue	00-01	11250.00#	12.3	208 770 04 015C49
gray	00-01	11250.00#	12.3	208 770 04 017E49
2 Frame assy	99-01	7160.00#	12.3	208 770 01 02
3 Front brace	99-01	424.00		208 770 00 26
4 Actuator	99-01	55.00		208 770 00 448G69
5 fastener	99-01R	85.00		208 770 02 26
	99-01L	81.00		208 770 01 26
6 seal	99-01R	12.00		208 774 08 96
	99-01L	12.00		208 774 07 96
7 Pin	99-01	47.00		208 770 00 28
8 Shim	99-01	.85		124 774 02 97
9 Stop				
front	99-01	1.50		208 774 01 41
rear	99-01	3.20		208 774 03 41
Cover				
11 upper	99-01R	6.50		208 778 08 33
	99-01L	6.50		208 778 07 33
12 lower	99-01B	1.70		208 695 00 30
Molding				
13 upper	99-01	11.00		208 778 01 829B51
14 lower				
anthracite, gray	99-01	43.50†		208 778 02 337D43
quartz	99-01	43.50†		208 778 02 338G69
15 Panel				
anthracite, gray	99	152.00†		208 690 28 257D44
	00-01	159.00†		208 690 51 257D44
quartz	99	152.00†		208 690 28 258G70
	00-01	159.00†		208 690 51 258G70
Sealing strip				
16 front	99-01R	45.50		208 770 02 98
	99-01L	45.50		208 770 01 98
17 center	99-01R	45.50		208 770 04 98
	99-01L	45.50		208 770 03 98
18 rear	99-01	194.00		208 770 00 98

PARTS: Order by color. Labor: Time is for frame and components as an assy.
 † PARTS: Order by color.



5769347

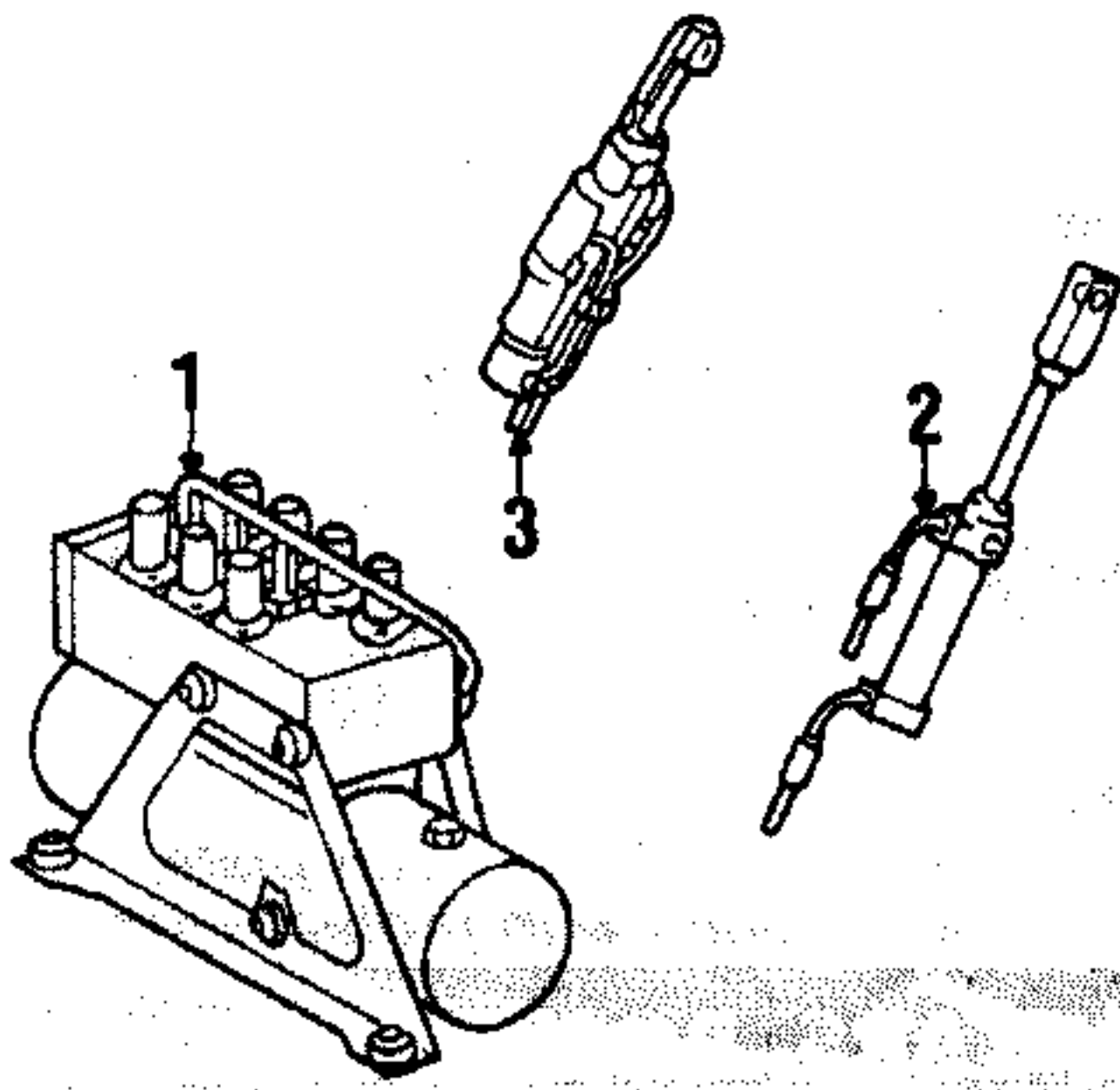
COVER & COMPONENTS

1 Folding top	99-01	2930.00	16.0	208 770 02 829C19
2 Pad	99-01	394.00		208 770 01 97
3 Headliner	99-01	800.00#	1.6	208 770 00 808H58
4 Guide check	99-01B	18.50		208 770 00 66
5 washer	99-01	.40		140 990 12 40

Please contact our Product Support Group if you require assistance locating, interpreting or using any information contained in the Estimating Data. Toll Free Number: 1-800-428-6867.

6 spacer	99-01	5.50	208 777 01 25
7 Rear glass	99-01	610.00	208 770 01 73
Mercedes	99-01		NOT SERVICED
NAGS	99-01		NOT SERVICED
8 Rear glass frame	99-00-01	96.00	208 777 01 07

Labor: Time includes pad.

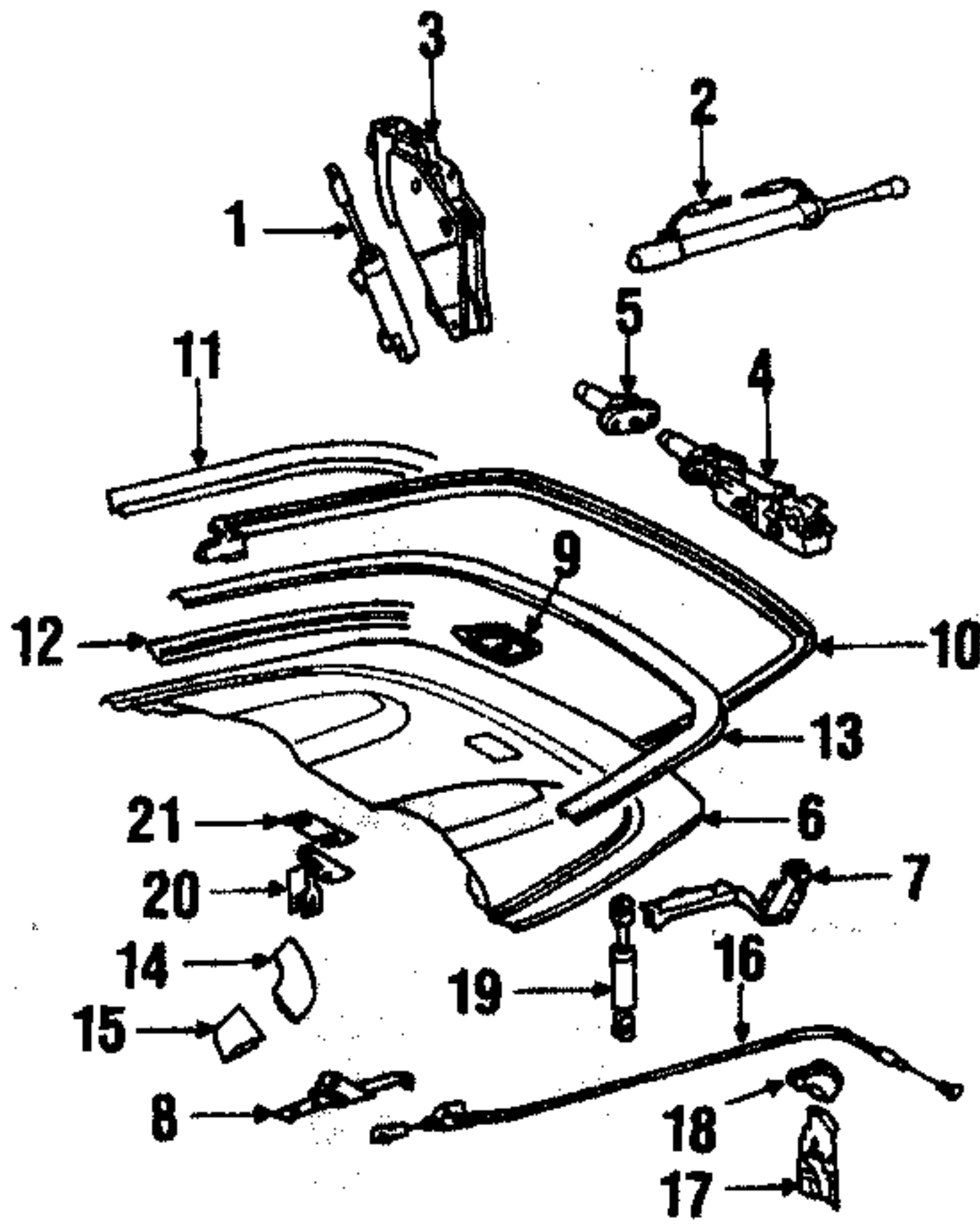


5769348

MOTOR & COMPONENTS HYDRAULIC COMPONENTS

1 Hydraulic pump	99-01	1970.00	1.7	208 800 10 48
Hydraulic cyindr				
top	99-01B	252.00	3.0	208 800 00 72
fabric ret, bow	99-01B	314.00		208 800 01 72
Lines				
#1	99-01R	28.50#		208 800 01 81
#2	99-01L	134.00#		208 800 05 81
#3	99-01R	134.00#		208 800 06 81
#4	99-01L	127.00#		208 800 02 81
#5	99-01R	99.00#		208 800 07 81
#6	99-01L	66.00#		208 800 03 81
#7	99-01R	127.00#		208 800 08 81
#8	99-01L	167.00#		208 800 04 81
locking mechanism				
rod side	99-01	175.00#		208 800 14 81
piston side	99-01	175.00#		208 800 13 81

PARTS: Order by description.



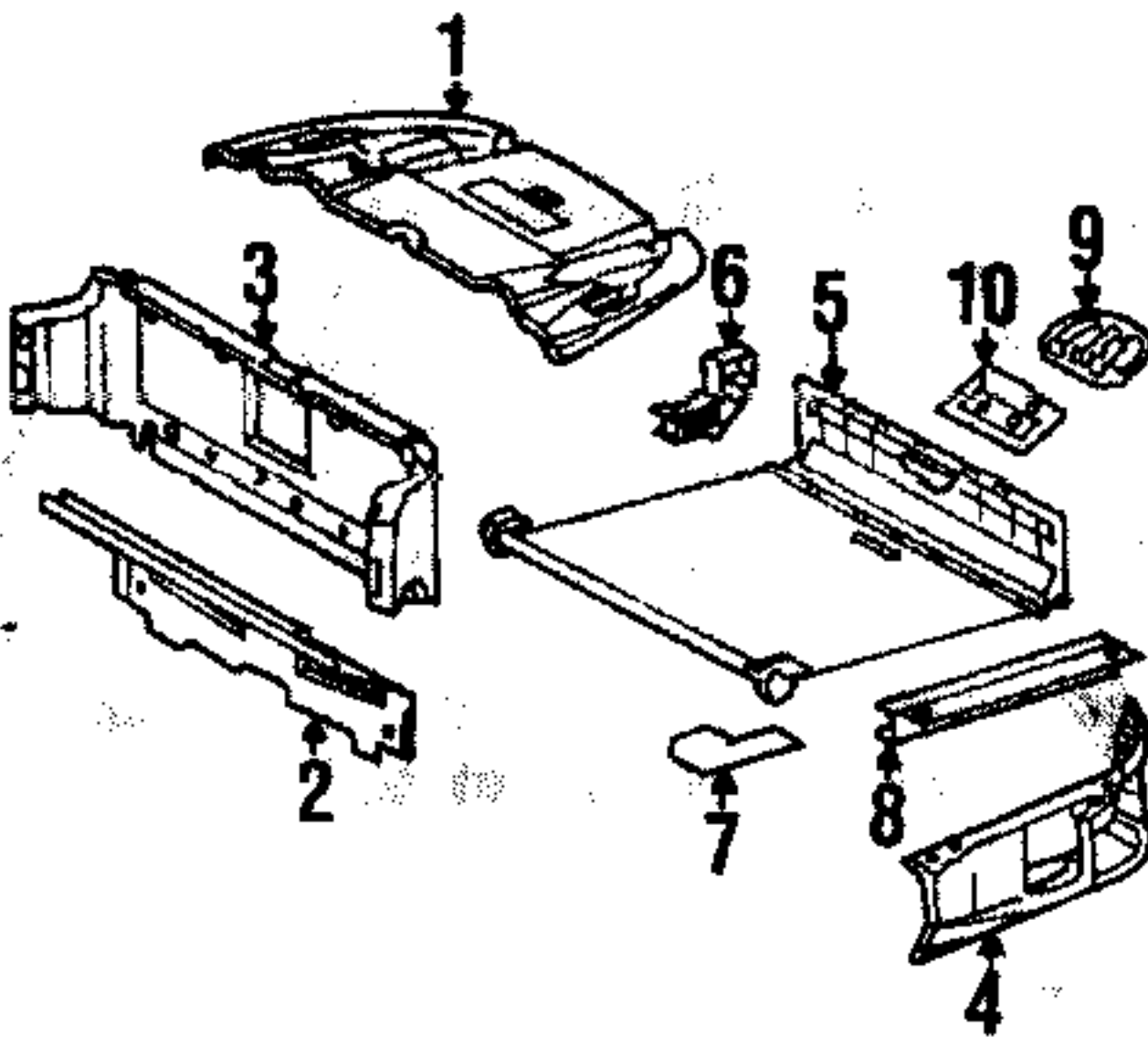
5769349

TOP WILL COMPONENTS

Hydraulic cyindr				
1 cover to wheel arch	99-01B		0.5	129 800 00 72
2 case cover	99-01B	236.00		208 800 02 72
fastener				
3 to rear seat panel	99-01	336.00		124 750 06 84
4 to top panel	99-01	342.00		124 770 04 26
5 to fabric ret bows	99-01	125.00		129 800 16 72
Hydraulic pump	99-01	#		SEE FOOTNOTE
Lines				
#1	99-01R	167.00		208 800 09 81
#2	99-01L	175.00		208 800 10 81
#3	99-01R	38.50		208 800 11 81
#4	99-01L	38.50		208 800 12 81
6 Top cover	(p2.1) 99-01	456.00	2.3	208 750 03 75
Hinge				
7 rear	99-01R	150.00†	0.3	208 750 02 21
	99-01L	150.00†	0.3	208 750 01 21
8 front	99-01R	66.00	0.3	208 750 02 51
	99-01L	66.00	0.3	208 750 01 51
9 Lock cover	99-01			208 750 00 25
Seal				
10 top case, upper	99-01	127.00		208 750 08 98
11 top case, lower	99-01	20.00	0.8	208 757 03 78
12 inside	99-01R	9.00		208 757 02 78
	99-01L	9.00		208 757 01 78

Molding				
13 rear	99-01	418.00	1.5	208 758 00 81
14 front	99-01R			208 693 04 33
	99-01L			208 693 03 33
15 Flap	99-01R			208 690 02 64
	99-01L			208 690 01 64
16 Release cable	99-01R	33.50		208 750 02 59
	99-01L	33.50		208 750 01 59
17 Guide	99-01R	15.50		208 758 02 39
	99-01L	15.50		208 758 00 39
18 Guide bracket	99-01R	33.50		208 750 02 59
	99-01L	33.50		208 750 01 59
19 Shock	99-01L	33.50		208 750 01 36
20 fastener	99-01	16.00		208 758 00 13
21 shim	99-01	.85		208 795 00 96

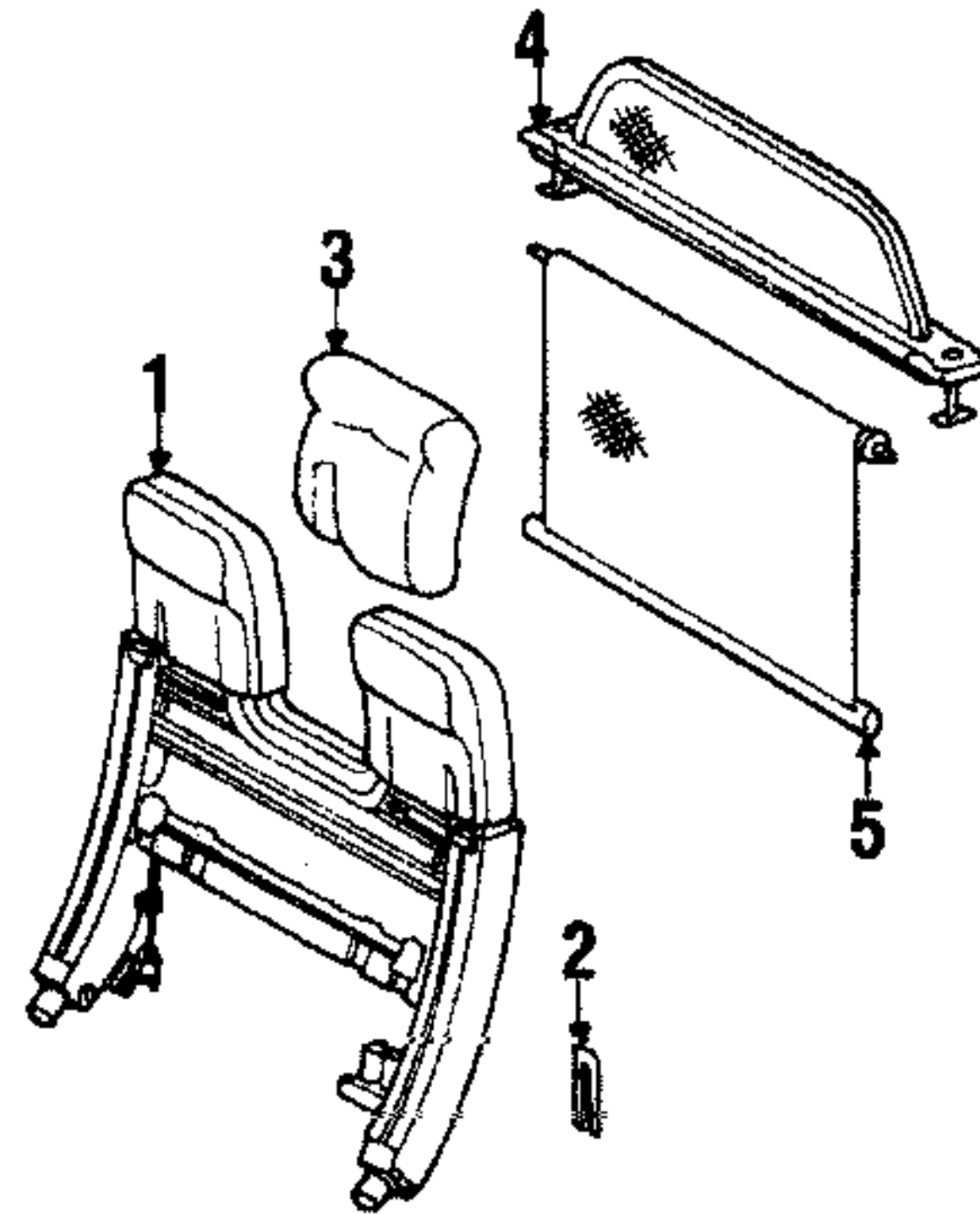
PARTS: Part is listed in hydraulic component convertible top.
 † LABOR: After top cover is removed.



5769482

INTERIOR TRIM TOP STORAGE COMPARTMENT

1 Storage box				
top case cover	99-01	150.00		208 690 00 419C18
2 front	99	102.00		208 690 36 259C18
	00-01	100.00		208 690 52 259C18
3 rear	99-01	149.00		208 690 01 419C18
4 side	99-01R	70.00		208 694 12 259C18
	99-01L	70.00		208 694 11 259C18
5 Partition panel	99-01	238.00		208 690 00 659B50
6 bracket	99-01R			208 690 02 34
	99-01L			208 690 01 34
7 pad	99-01R	1.70		208 693 02 97
	99-01L	1.70		208 693 01 97
8 rail	99-01			208 693 00 20
9 Lock	99-01			208 690 00 43
10 bracket	99-01	5.00		208 690 01 14



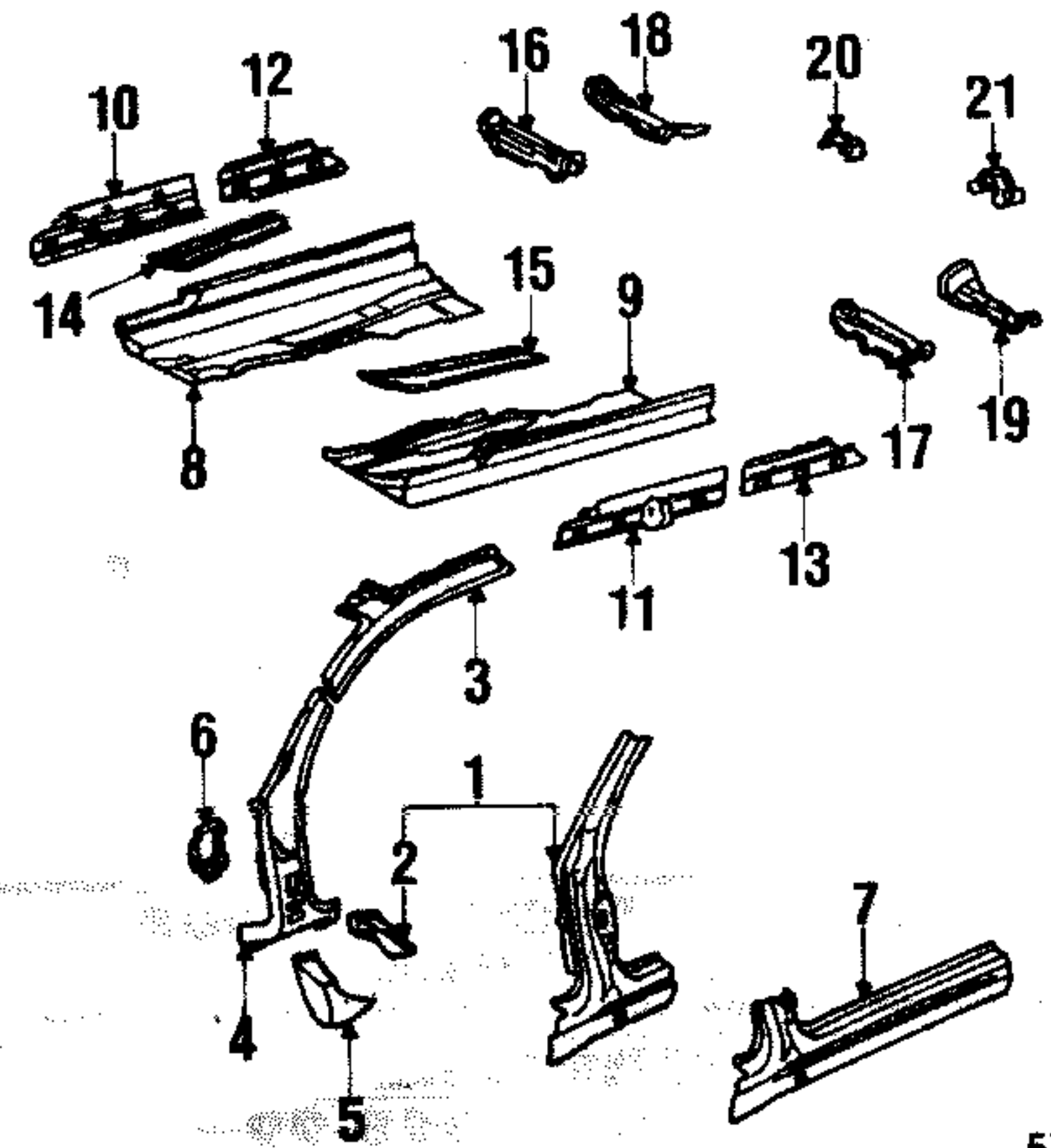
5769351

ROLL BAR & HEADREST ASSEMBLY

Hydraulic pump	99-01	#		SEE FOOTNOTE
Lines				
front	99-01	76.00		208 800 15 81
side	99-01	76.00		208 800 16 81
1 Roll bar	99-01	4140.00	4.5	208 860 00 32
2 shim	99-01B	.85		208 868 00 97
3 Headrest				
cover	99-01R	174.00†	1.4	208 970 10 569B50
	99-01L	165.00†	1.4	208 970 09 569B50
4 Deflector assy	99-01	710.00		208 860 00 74
5 Roller				
blind	99-01	785.00		208 860 01 74

PARTS: Part is listed in hydraulic component convertible top.
 † PARTS: Order by color and description.

PILLARS, ROCKER & FLOOR COUPE



5769350

REFINISHING NOTES

Add for stone guard if required. See Guide To Estimating.

OVERLAP OPERATIONS

R&R rocker panel with hinge pillar off

deduct. 98-01 s 1.0

PARTS AND R&R OPERATIONS

HINGE PILLAR				
1 Outer pillar	(p1.2) 98-01R	268.00†	s 10.0	208 630 04 07
	(p1.2) 98-01L	268.00†	s 10.0	208 630 03 07
2 cover	98-01R	13.00#		208 637 02 40
	98-01L	13.00#		208 637 01 40
Inner pillar				
3 upper	98-01B	†		SEE FOOTNOTE
4 lower	98-01R	57.00	s 3.5	208 630 02 10
	98-01L	57.00	s 3.5	208 630 01 10
5 Pillar reinf.	98-01R	13.50	1.0	208 637 14 16
	98-01L	13.50	1.0	208 637 13 16
6 Side bracket	98-01R	8.00	1.0	202 630 10 31
	98-01L	8.00	1.0	202 630 09 31

ROCKER PANEL				
7 Outer rocker pnl	(p1.5) 98-01R	179.00	s 7.5	208 637 02 35
	(p1.5) 98-01L	179.00	s 7.5	208 637 01 35

FLOOR & RAILS				
8 Front floor pan	(p2.0) 98-01R	230.00†	14.0	208 610 02 60
	(p2.0) 98-01L	230.00†	14.0	208 610 01 60
Side reinf				
10 front	(p.8) 98-01R	15.00†	s 2.0	202 610 10 25
	(p.8) 98-01L	15.00†	s 2.0	202 610 09 25
12 rear	(p.7) 98-01R	15.00†	s 2.0	208 616 02 16
	(p.7) 98-01L	15.00†	s 2.0	208 616 01 16
14 Floor side rail	98-01R	20.00	s 3.0	202 611 02 22
	98-01L	20.00	s 3.0	202 611 01 22
Seat c'member				
16 front	98-01R	274.00	3.0	202 610 08 20
	98-01L	274.00	3.0	202 610 07 20
18 rear	98-01R	274.00	2.5	202 610 10 20
	98-01L	274.00	2.5	202 610 09 20
20 stiffener	98-01	4.20		202 619 00 25
21 Support				
prop shaft bearing	98-01	35.00		202 610 03 52

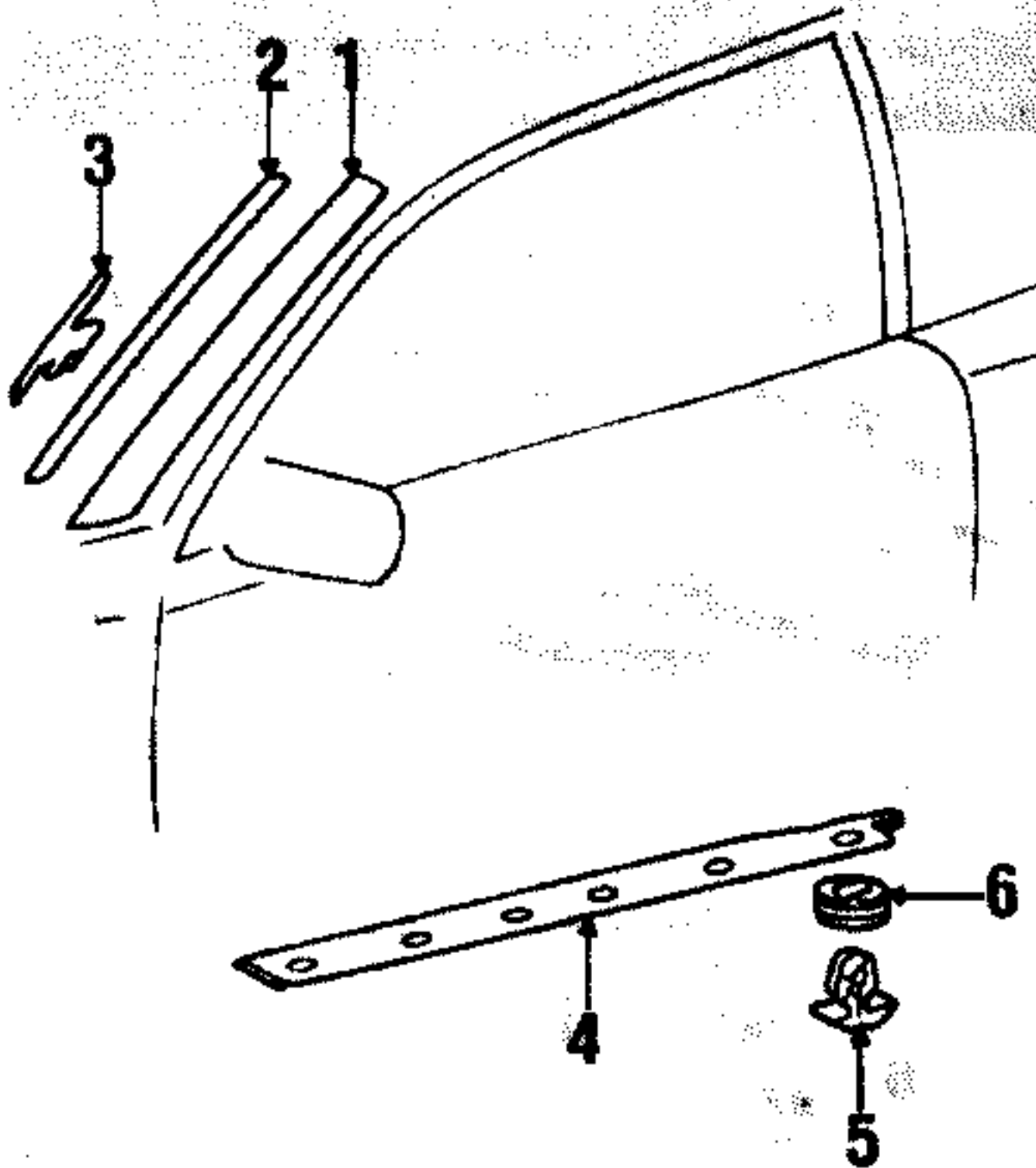
PARTS: Part is included with outer hinge pillar.
 † LABOR: After fender, door, windshield, instrument panel and necessary parts are removed.
 ‡ PARTS: Part is located in ROOF group as roof inner rail.
 † LABOR: After outer panel is removed.

CONTINUED

1998-01 M/BENZ CLK CLASS

CLK320, CLK430,
CLK55

ERI 5769



5769355

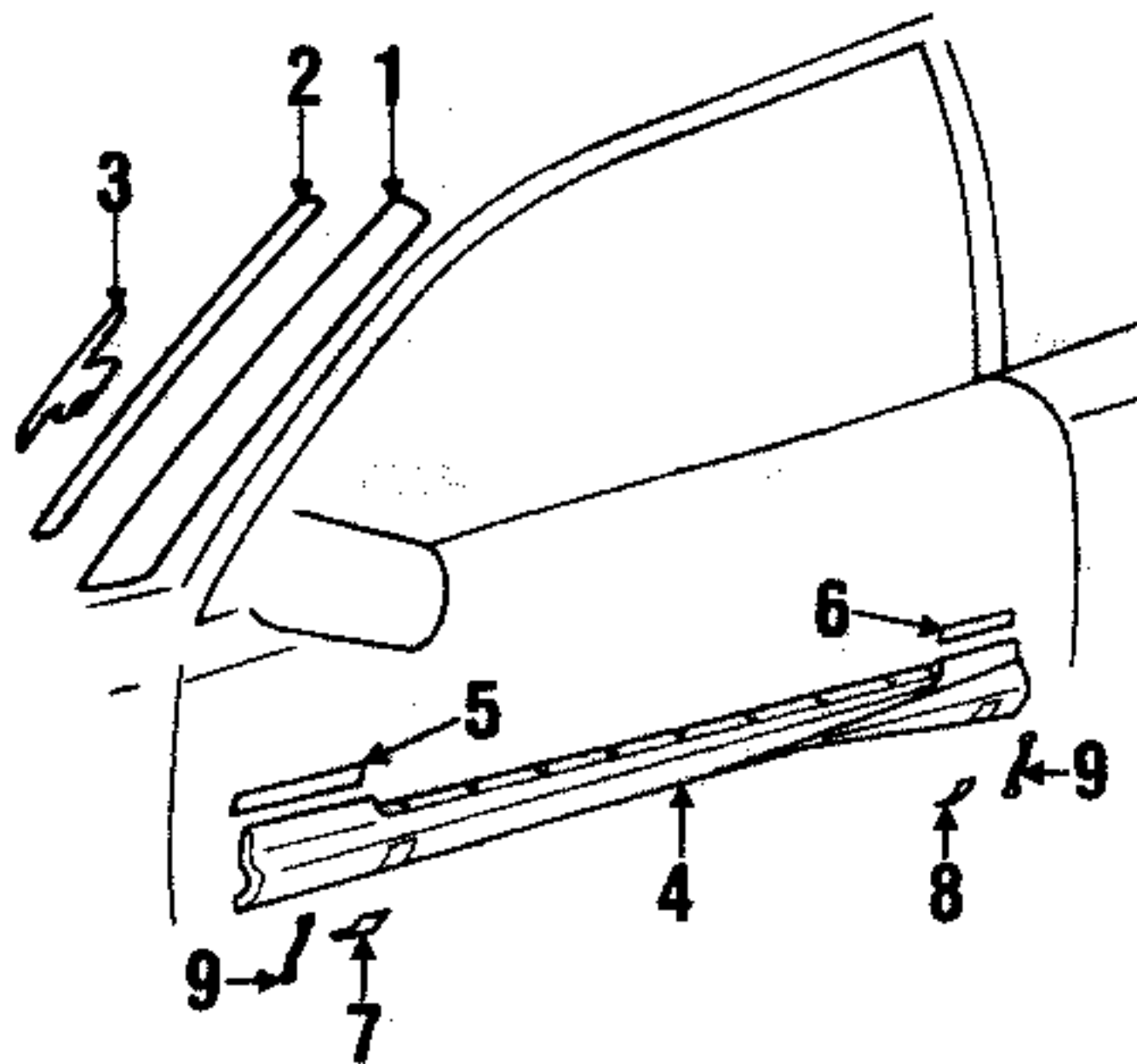
PILLARS, ROCKER & FLOOR COUPE (CONT)

EXTERIOR TRIM

3.2 LITER, 1998-99

1	Pillar molding (p1.0)	98-99R	62.00±	0.5	208 690 04 87
		(p1.0) 98-99L	62.00±	0.5	208 690 03 87
2	seal	98-99R	28.50#		208 698 02 98
		98-99L	28.50#		208 698 01 98
3	bracket	98-99R	4.00#		208 698 04 14
		98-99L	4.00#		208 698 03 14
4	Cover				
	lower rocker	98-99R	28.50¶	0.3	208 698 22 30
		98-99L	28.50¶	0.3	208 698 21 30
	clip				
5	type 1	98-99B	.70		009 988 42 78
6	type 2	98-99B	.70		009 988 43 78

LABOR: Included with pillar molding R&I R&R.
¶ LABOR: Included with rocker molding R&I R&R.
± LABOR: After drip rail molding is removed.



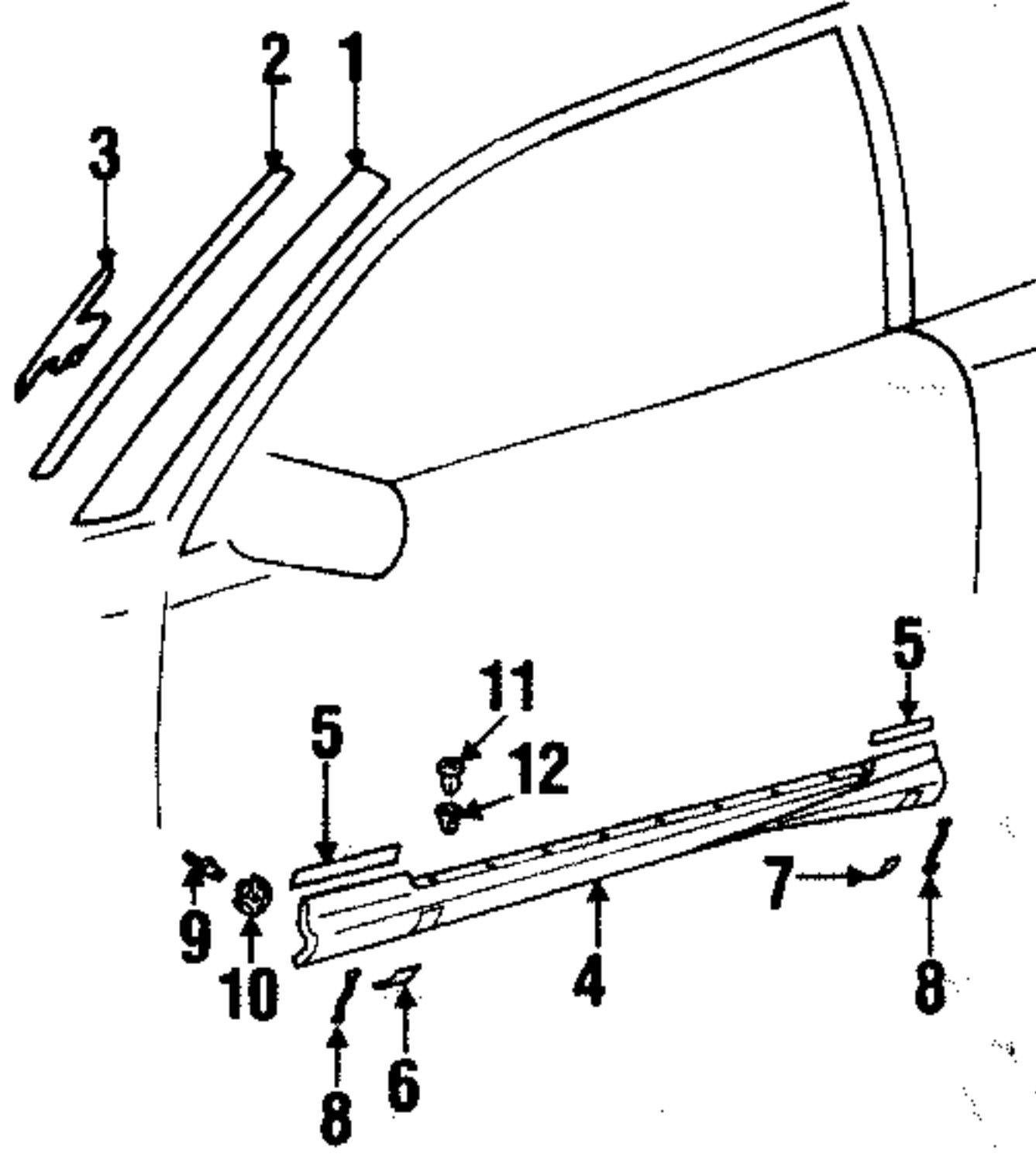
5769357

EXTERIOR TRIM

3.2 LITER, 2000-01

1	Pillar molding (p1.0)	00-01R	62.00±	0.5	208 690 04 87
		(p1.0) 00-01L	62.00±	0.5	208 690 03 87
2	seal	00-01R	28.50#		208 698 02 98
		00-01L	28.50#		208 698 01 98
3	bracket	00-01R	4.00#		208 698 04 14
		00-01L	4.00#		208 698 03 14
4	Ground effects	00-01R	324.00	1.6	208 690 46 25
		00-01L	324.00	1.6	208 690 45 25
	adhesive kit				
5	front	00-01R	27.00¶		208 698 44 30
		00-01L	27.00¶		208 698 43 30
6	rear	00-01R	27.00¶		208 698 46 30
		00-01L	27.00¶		208 698 45 30
	Jack cover				
7	front	00-01R	¶	0.1	208 698 38 30
		00-01L	¶	0.1	208 698 37 30
8	rear	00-01R	¶	0.1	208 698 40 30
		00-01L	¶	0.1	208 698 39 30
9	brace	00-01	.70		201 698 02 14

LABOR: Included with pillar molding R&I R&R.
¶ LABOR: Included with rocker molding R&I R&R.
± LABOR: After drip rail molding is removed.



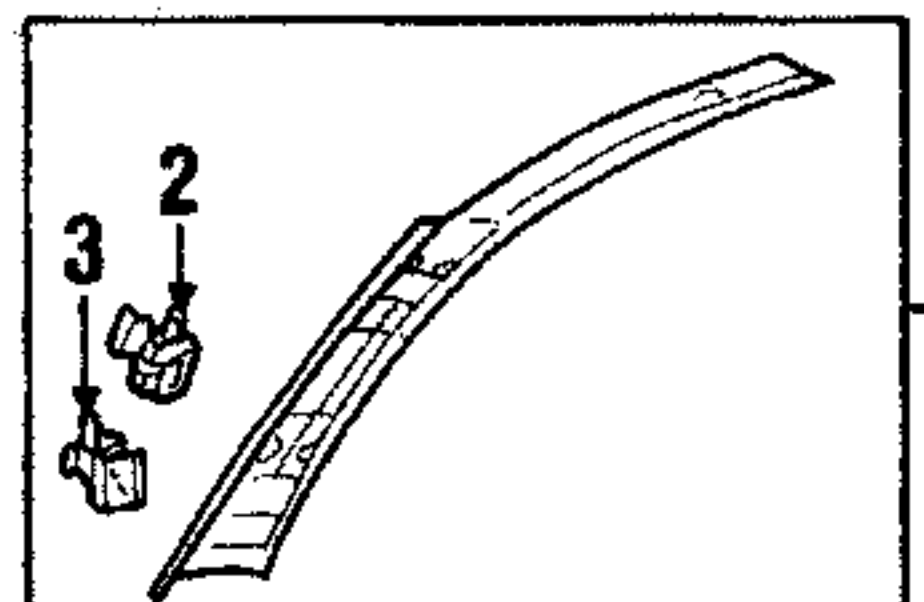
5769710

EXTERIOR TRIM

4.3 & 5.5 LITER

1	Pillar molding (p1.0)	99-01R	62.00±	0.5	208 690 04 87
		(p1.0) 99-01L	62.00±	0.5	208 690 03 87
2	seal	99-01R	28.50#		208 698 02 98
		99-01L	28.50#		208 698 01 98
3	bracket	99-01R	4.00#		208 698 04 14
		99-01L	4.00#		208 698 03 14
4	Ground effects	99 R	690.00	1.6	208 698 01 54
		99 L	690.00	1.6	208 698 00 54
		00-01R		1.6	208 690 12 40
		00-01L		1.6	208 690 11 40
5	adhesive kit	99	4.20¶		208 584 00 55
		00-01	10.50¶		000 997 90 49
	Jack cover				
6	front	99 R	33.50¶	0.1	208 698 28 30
		99 L	33.50¶	0.1	208 698 24 30
		00-01R	33.50¶	0.1	208 698 49 30
		00-01L	33.50¶	0.1	208 698 48 30
7	rear	99 R	33.50¶	0.1	208 698 29 30
		99 L	33.50¶	0.1	208 698 27 30
		00-01R	33.50¶	0.1	208 698 51 30
		00-01L	33.50¶	0.1	208 698 50 30
8	brace	00-01	.70		201 698 02 14
9	rivet	99-01	.70		000 990 46 92
10	washer	99-01	1.20		WA2 029 88 0181
	fastener				
11	upper	99-01			001 988 78 81
12	lower	99-01	.40		001 988 20 81

LABOR: Included with pillar molding R&I R&R.
¶ LABOR: Included with rocker molding R&I R&R.
± LABOR: After drip rail molding is removed.



5769360

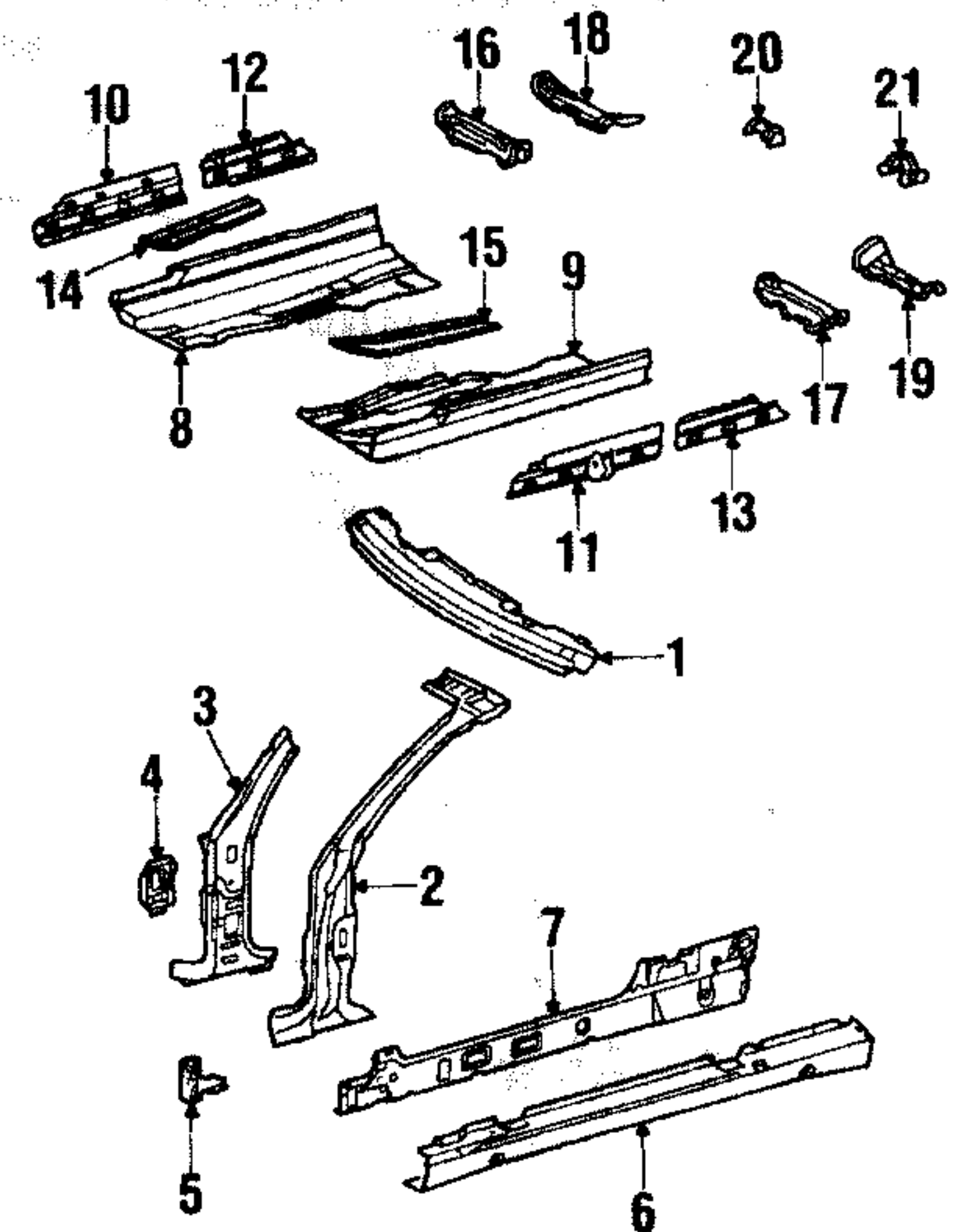
INTERIOR TRIM

1	Wndshld pnr trim				
	anthracite	98-01R	40.00	0.5	208 690 06 259870
		98-01L	40.00	0.5	208 690 05 259870
	quartz	98-01R	40.00	0.5	208 690 06 258G73
		98-01L	40.00	0.5	208 690 05 258G73
	gray	98-01R	40.00	0.5	208 690 06 257D48
		98-01L	40.00	0.5	208 690 05 257D48
	clip				
2	type 1	98-01B	1.40#		008 988 85 78
3	type 2	98-01B	1.40#		008 988 86 78
4	rivet	98-01B	.50		000 990 85 92
5	Cowl trim				
	anthracite	98-01R	10.50	0.3	202 680 02 839851
		98-01L	8.25	0.3	202 680 01 839851
	quartz	98-01R	10.50	0.3	202 680 02 838G69
		98-01L	8.25	0.3	202 680 01 838G69
	gray	98-01R	10.50	0.3	202 680 02 837D43

6	cap	98-01L	8.25	0.3	202 680 01 837D43
	anthracite	98-01B	.70		202 688 00 339B51
	quartz	98-01B	.70		202 688 00 338G69
	gray	98-01B	.70		202 688 00 337D43
7	Foot rest	98-01	4.70		202 976 02 60
8	Scuff plate				
	3.2 liter				
	anthracite	98-01B	62.00	0.3	208 680 02 359B51
	quartz	98-01B	62.00	0.3	208 680 02 358G69
	gray	98-01B	62.00	0.3	208 680 02 357D43
	4.3 & 5.5 liter				
	anthracite	99-01B	169.00	0.3	208 680 05 359B51
	quartz	99-01B	169.00	0.3	208 680 05 358G69
	gray	99-01B	169.00	0.3	208 680 05 357D43
9	clip	98-01B	0.50¶		202 988 11 78
10	Protect strip	98-99R	23.50	0.2	208 680 02 74
		98-99L	23.50	0.2	208 680 01 74
11	fastener	98-99B	.50±		001 988 76 81

PARTS: Part is included with windshield pillar trim.
¶ PARTS: Part is included with scuff plate.
± PARTS: Part is included with protect strip.

PILLARS, ROCKER & FLOOR CONVERTIBLE



5769353

OVERLAP OPERATIONS

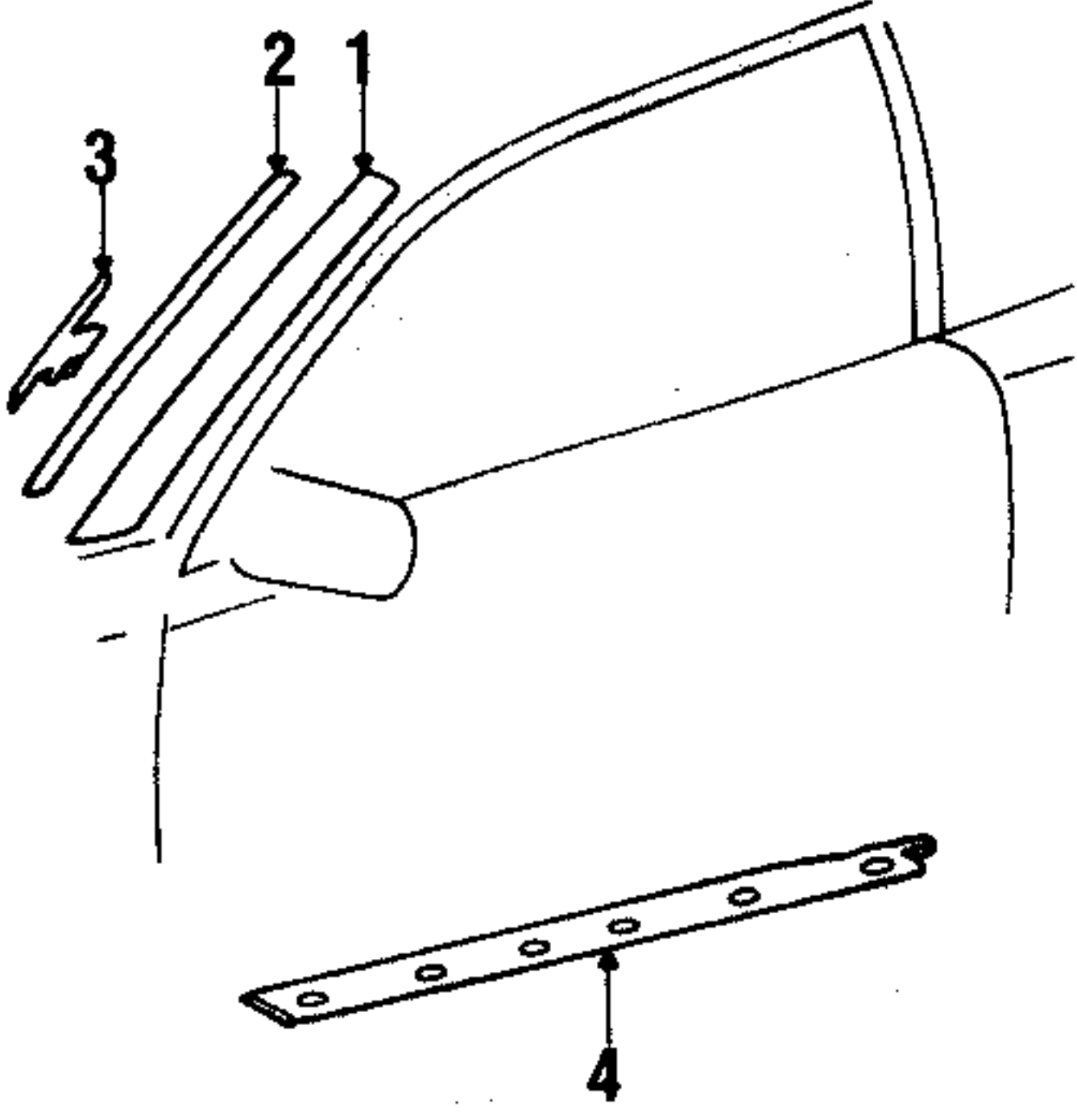
R&R rocker panel w/quarter panel off		
deduct	99-01	2.0

PARTS AND R&R OPERATIONS

HINGE PILLAR					
1	Header panel	99-01	±	2.0	SEE FOOTNOTE
2	Outer pillar (p2.0)	99-01R	550.00¶ s	16.0	208 630 14 10
		(p2.0) 99-01L	550.00¶ s	16.0	208 630 13 10
3	Inner pillar	99-01R	57.00± s	3.5	208 630 02 10
		99-01L	57.00± s	3.5	208 630 01 10
4	Pillar reinf	98-01R	8.00#	1.0	202 630 10 31
		99-01L	8.00#	1.0	202 630 09 31
5	Side bracket	99-01R	17.00#	1.0	208 637 04 40
		99-01L	18.50#	1.0	208 637 03 40
ROCKER PANEL					
6	Outer rocker pnl	(p1.5) 99-01R	294.00 s	8.5	208 637 06 35
		(p1.5) 99-01L	294.00 s	8.5	208 637 05 35
7	Inner panel	99-01R	246.00± s	4.0	208 611 02 39
		99-01L	234.00± s	4.0	208 611 01 39
FLOOR & RAILS					
8	Front floor pan	(p2.0) 99-01R	230.00±	14.0	208 610 02 60
		(p2.0) 99-01L	230.00±	14.0	208 610 01 60
	Side reinf				
10	front	(p.8) 99-01R	15.00± s	2.0	202 610 10 25
		(p.8) 99-01L	15.00± s	2.0	202 610 09 25
11	rear	(p.7) 99-01R	15.00± s	2.0	208 616 02 16
		(p.7) 99-01L	15.00± s	2.0	208 616 01 16
12	Floor side rail	99-01R	20.00 s	3.0	202 611 02 22
		99-01L	20.00 s	3.0	202 611 01 22
	Seat c'member				
16	front	99-01R	274.00	3.0	202 610 08 20
		99-01L	274.00	3.0	202 610 07 20
17	rear	99-01R	274.00	2.5	202 610 10 20
		99-01L	274.00	2.5	202 610 09 20
20	stiffener	99-01	4.20		202 619 00 25
	Support				
21	prop shaft bearing	99-01	35.00		202 610 03 52

PARTS: Part is included with outer pillar.

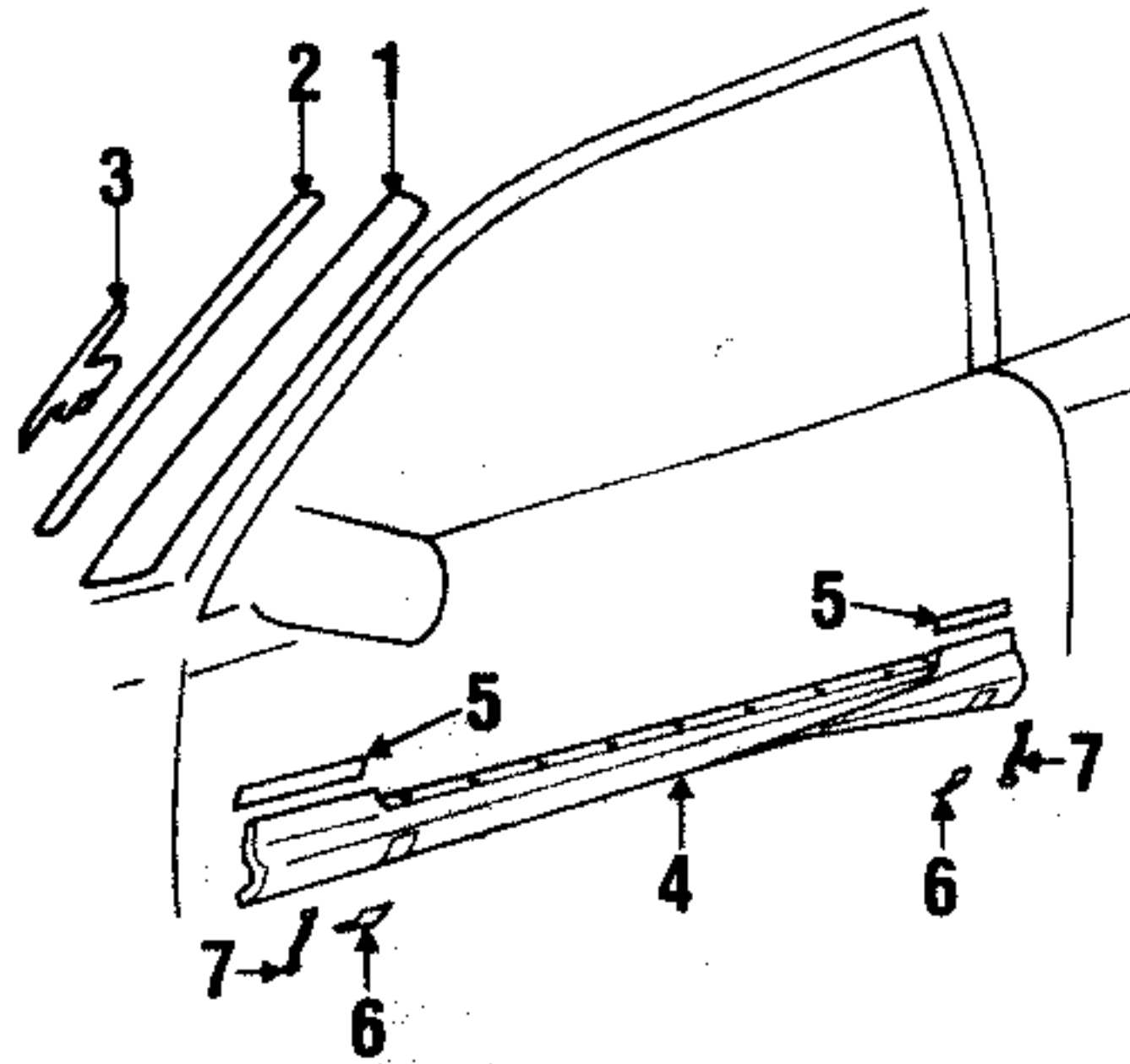
‡ LABOR: After fender, door, windshield, instrument panel and necessary parts are removed.
 † PARTS: Part is listed in convertible ROOF group.
 ‡ LABOR: After outer panel is removed.



5769358

EXTERIOR TRIM					
3.2 LITER, 1999					
1	Pillar molding	(p1.0) 99 R	67.00‡	0.5	208 690 08 87
		(p1.0) 99 L	67.00‡	0.5	208 690 07 87
2	seal	99 R	28.50#		208 698 12 98
		99 L	28.50#		208 698 11 98
3	bracket	99 R	4.00#		208 698 04 14
		99 L	4.00#		208 698 03 14
4	Cover				
	lower rocker	99 R	28.50‡	0.3	208 698 22 30
		99 L	28.50‡	0.3	208 698 21 30

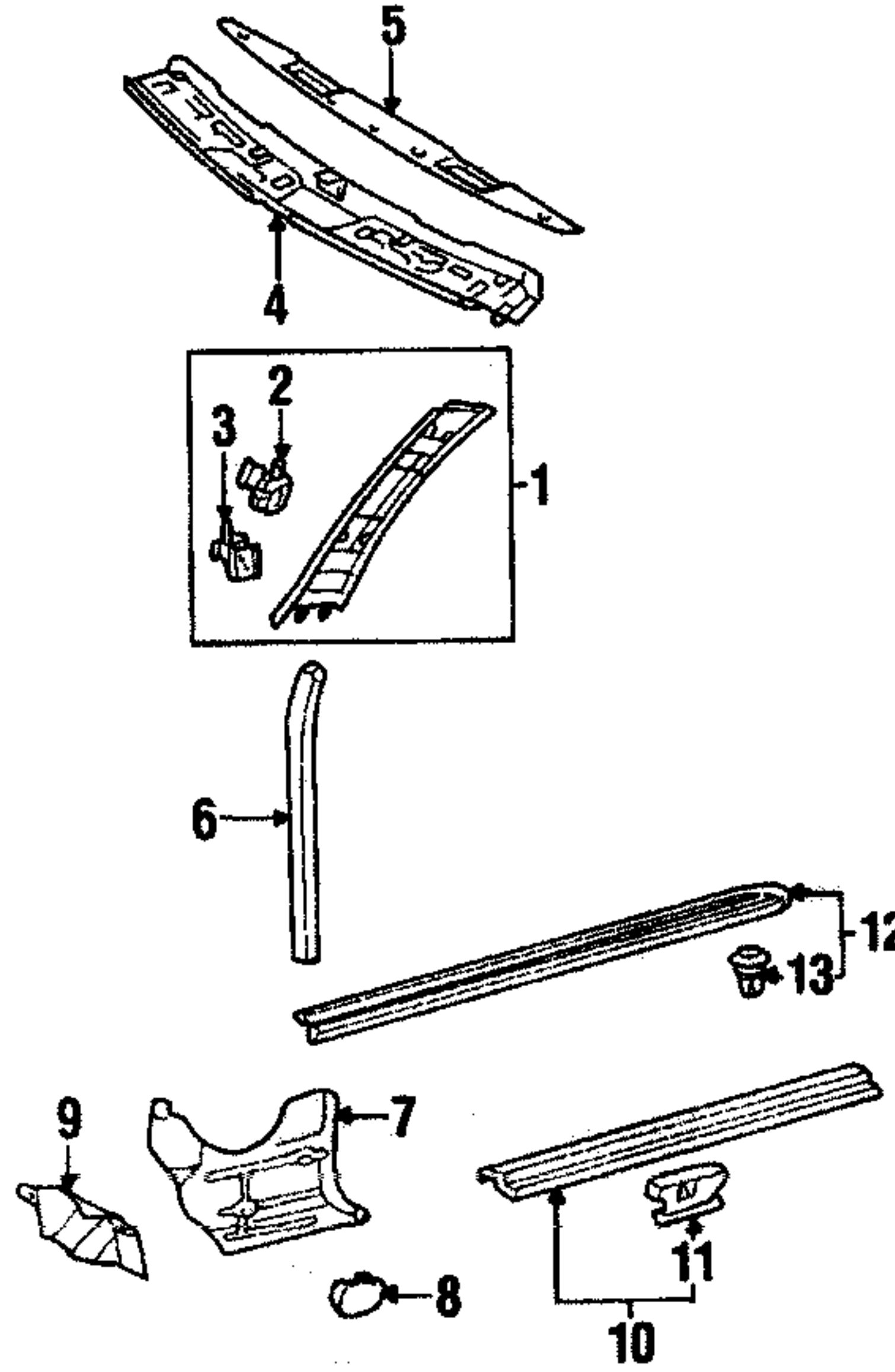
LABOR: Included with pillar molding R&I R&R.
 ‡ LABOR: Included with rocker molding R&I R&R.
 † LABOR: After drip rail molding is removed.



5769359

EXTERIOR TRIM					
ALL, 2000-01					
1	Pillar molding	(p1.0) 00-01R	67.00‡	0.5	208 690 08 87
		(p1.0) 00-01L	67.00‡	0.5	208 690 07 87
2	seal	00-01R	28.50#		208 698 12 98
		00-01L	28.50#		208 698 11 98
3	bracket	00-01R	4.00#		208 698 04 14
		00-01L	4.00#		208 698 03 14
4	Ground effects				
	3.2 liter	00-01R	322.00	1.6	208 690 14 40
		00-01L	322.00	1.6	208 690 13 40
	4.3 liter	00-01R	340.00	1.6	208 690 05 40
		00-01L	340.00	1.6	208 690 04 40
5	adhesive kit				
	3.2 liter				
	front	00-01R	23.50‡		208 698 70 30
		00-01L	23.50‡		208 698 69 30
	rear	00-01R	27.00‡		208 698 72 30
		00-01L	27.00‡		208 698 71 30
	4.3 liter	00-01	10.50‡		000 997 90 49
6	Jack cover				
	3.2 liter				
	front	00-01R	17.50‡	0.1	208 698 66 30
		00-01L	17.50‡	0.1	208 698 65 30
	rear	00-01R	17.50‡	0.1	208 698 68 30
		00-01L	17.50‡	0.1	208 698 67 30
	4.3 liter				
	front	00-01R	33.50‡	0.1	208 698 49 30
		00-01L	33.50‡	0.1	208 698 48 30
	rear	00-01R	33.50‡	0.1	208 698 51 30
		00-01L	33.50‡	0.1	208 698 50 30
7	brace	00-01	.70		201 698 02 14

LABOR: Included with pillar molding R&I R&R.
 ‡ LABOR: Included with rocker molding R&I R&R.
 † LABOR: After drip rail molding is removed.



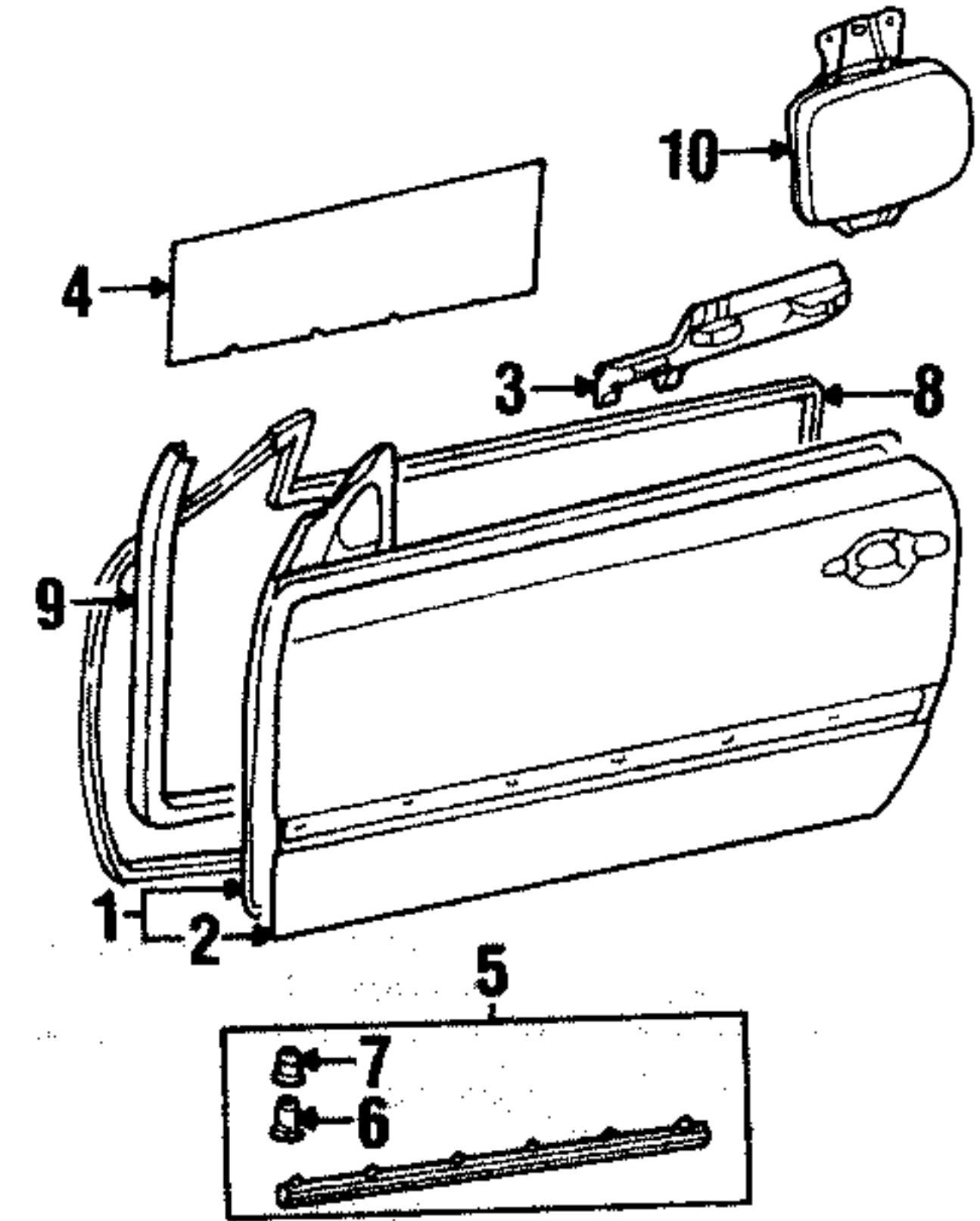
5769362

INTERIOR TRIM					
1	Windshield pillar trim				
	anthracite	99-01R	25.50	0.5	208 690 22 257D44
		99-01L	25.50	0.5	208 690 21 257D44
	quartz	99-01R	25.50	0.5	208 690 22 258G70
		99-01L	25.50	0.5	208 690 21 258G70
	gray	99-01R	25.50	0.5	208 690 22 257D44
		99-01L	25.50	0.5	208 690 21 257D44
2	clip				
	type 1	99-01B	1.40#		008 988 85 78
	type 2	99-01B	1.40#		008 988 86 78
3	Rail cover	99-01			SEE FOOTNOTE
4	Top finish panel	99-01			SEE FOOTNOTE
5	Edge guard				
	anthracite	99-01R	18.50	0.3	208 697 04 519856
		99-01L	18.50	0.3	208 697 03 519856
	quartz	99-01R	18.50	0.3	208 697 04 518G75
		99-01L	18.50	0.3	208 697 03 518G75
	gray	99-01R	18.50	0.3	208 697 04 517D43
		99-01L	18.50	0.3	208 697 03 517D43
6	Cowl trim				
	anthracite	99-01R	10.50	0.3	202 680 02 839851
		99-01L	8.25	0.3	202 680 01 839851
	quartz	99-01R	10.50	0.3	202 680 02 838G69
		99-01L	8.25	0.3	202 680 01 838G69
	gray	99-01R	10.50	0.3	202 680 02 837D43
		99-01L	8.25	0.3	202 680 01 837D43
7	cap				
	anthracite	99-01B	.70		202 688 00 339851
	quartz	99-01B	.70		202 688 00 338G69
	gray	99-01B	.70		202 688 00 337D43
8	Foot rest	99-01	4.70		202 976 02 60
9	Scuff plate				
	3.2 liter				
	anthracite	99-01B	62.00@	0.3	208 680 08 359851
	quartz	99-01B	62.00@	0.3	208 680 08 358G69
	gray	99-01B	62.00@	0.3	208 680 08 357D43
	4.3 liter				
	anthracite	00-01B	169.00@	0.3	208 680 10 359851
	quartz	00-01B	169.00@	0.3	208 680 10 358G69
	gray	00-01B	169.00@	0.3	208 680 10 357D43
10	clip	99-01B	1.20‡		010 988 29 78
11	Protect strip	99 R	48.50		208 680 04 74
		99 L	45.50		208 680 03 74
12	fastener	99 B	.70‡		009 997 47 81

PARTS: Part is included with windshield pillar trim.
 ‡ PARTS: Part is included with scuff plate.
 † PARTS: Part is included with protect strip.
 ‡ PARTS: Part is listed in convertible ROOF group.
 @ PARTS: Order by color and description.

DOOR

Except Door Shell or Door Outer Panel R&R, all operation times in the following group are after door trim panel is removed.



5769365

WARNING
 Before repairing any air restraint system, the battery cables must be disconnected and any back-up power supply discharged for the time period stipulated by the vehicle manufacturer in order to prevent accidental deployment. NOTE: Wiring repairs should only be performed in accordance with vehicle manufacturer specifications.

REFINISHING NOTES
 Add for stone guard if required. See Guide To Estimating.

Refn door shell		
exterior surface only	98-01	p2.0
edges	98-01	p.5
inner panel	98-01	p.5
Refn outer panel		
exterior surface only	98-01	p2.0
edges	98-01	p.5
inner panel	98-01	p.5

ADD IF REQUIRED

R&R door shell		
add for mirror	98-01	0.4
R&R outer panel		
add for mirror	98-01	0.4

R&I OPERATIONS

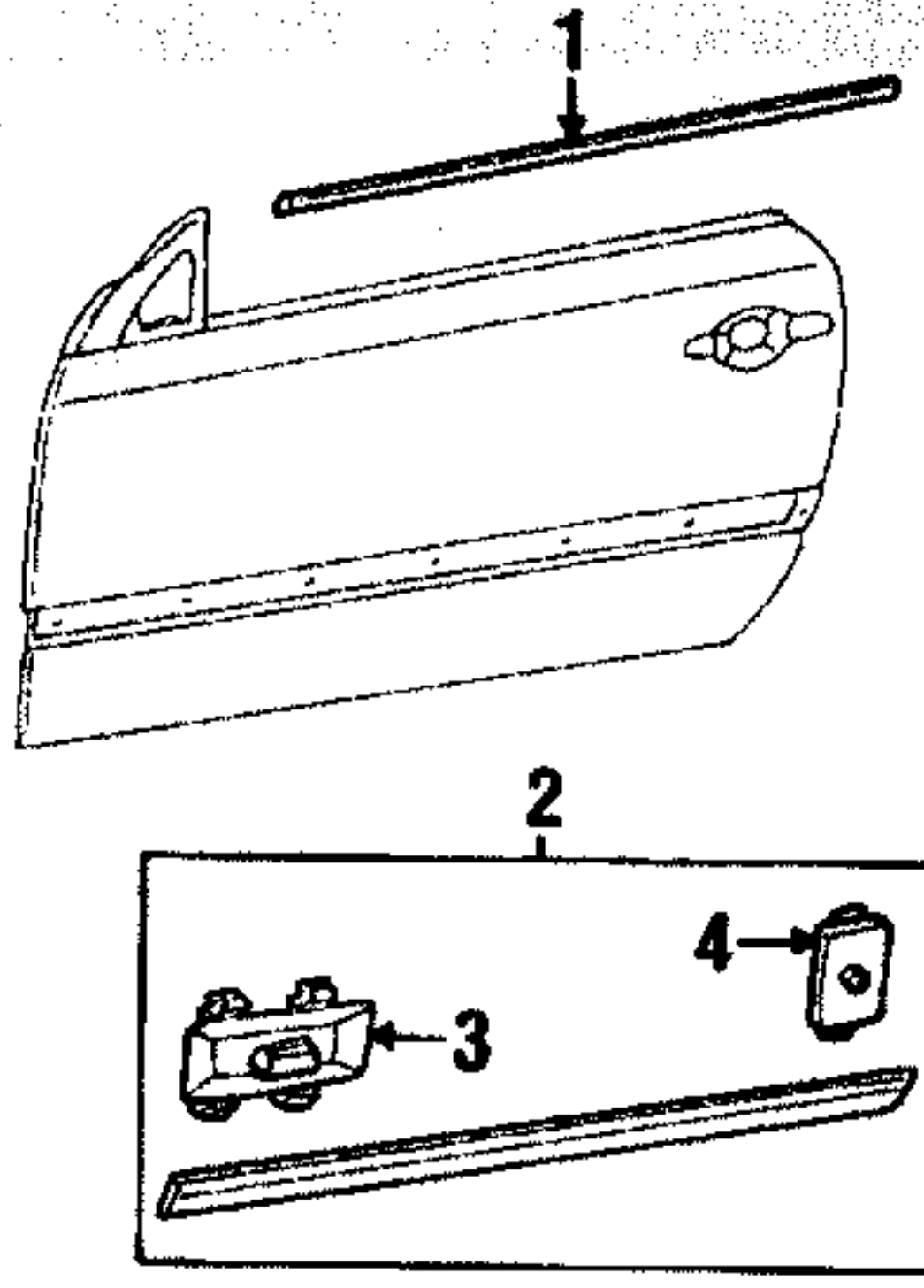
R&I door assy	98-01	1.5
R&I trim panel	98-01	0.6
R&I mirror	98-01	0.4

PARTS AND R&R OPERATIONS
 DOOR & COMPONENTS

1	Door shell				
	coupe	(p3.0) 98-01R	555.00	6.0	208 720 06 05
		(p3.0) 98-01L	575.00	6.0	208 720 05 05
	convertible	(p3.0) 99-01R	575.00	6.0	208 720 08 05
		(p3.0) 99-01L	575.00	6.0	208 720 07 05
2	Outer panel	(p2.0) 98-01R	179.00‡	7.0	208 720 02 09
		(p2.0) 98-01L	179.00‡	7.0	208 720 01 09
3	Filler	98-01R	8.25		208 725 02 86
		98-01L	8.25		208 725 01 86
4	Insulation	98-01B	3.00	0.1	210 682 00 08
5	Lower w'strip	98-01R	15.00@	0.2	208 690 12 62
		98-01L	15.00@	0.2	208 690 11 62
6	fastener	98-01B	.50‡		001 988 76 81
7	grommet	98-01B	.85‡		009 997 17 81
8	Door w'strip	98-01R	89.00	0.5	208 727 17 30
		98-01L	89.00	0.5	208 727 18 30
9	Edge guard				
	anthracite	98-01B	17.00	0.3	208 697 01 519856
	quartz	98-01B	17.00	0.3	208 697 01 518G75
	gray	98-01B	17.00	0.3	208 697 01 517D50
10	Air bag module	98-01B	#		SEE FOOTNOTE

PARTS: Part listed in the RESTRAINT SYSTEM group, under AIR BAG COMPONENTS subgroup.
 ‡ PARTS: Part may not be available through Mercedes of North America. Consult local dealer for availability.
 @ PARTS: Part is included with lower weatherstrip.
 # PARTS: Order by description.

CONTINUED



5769370

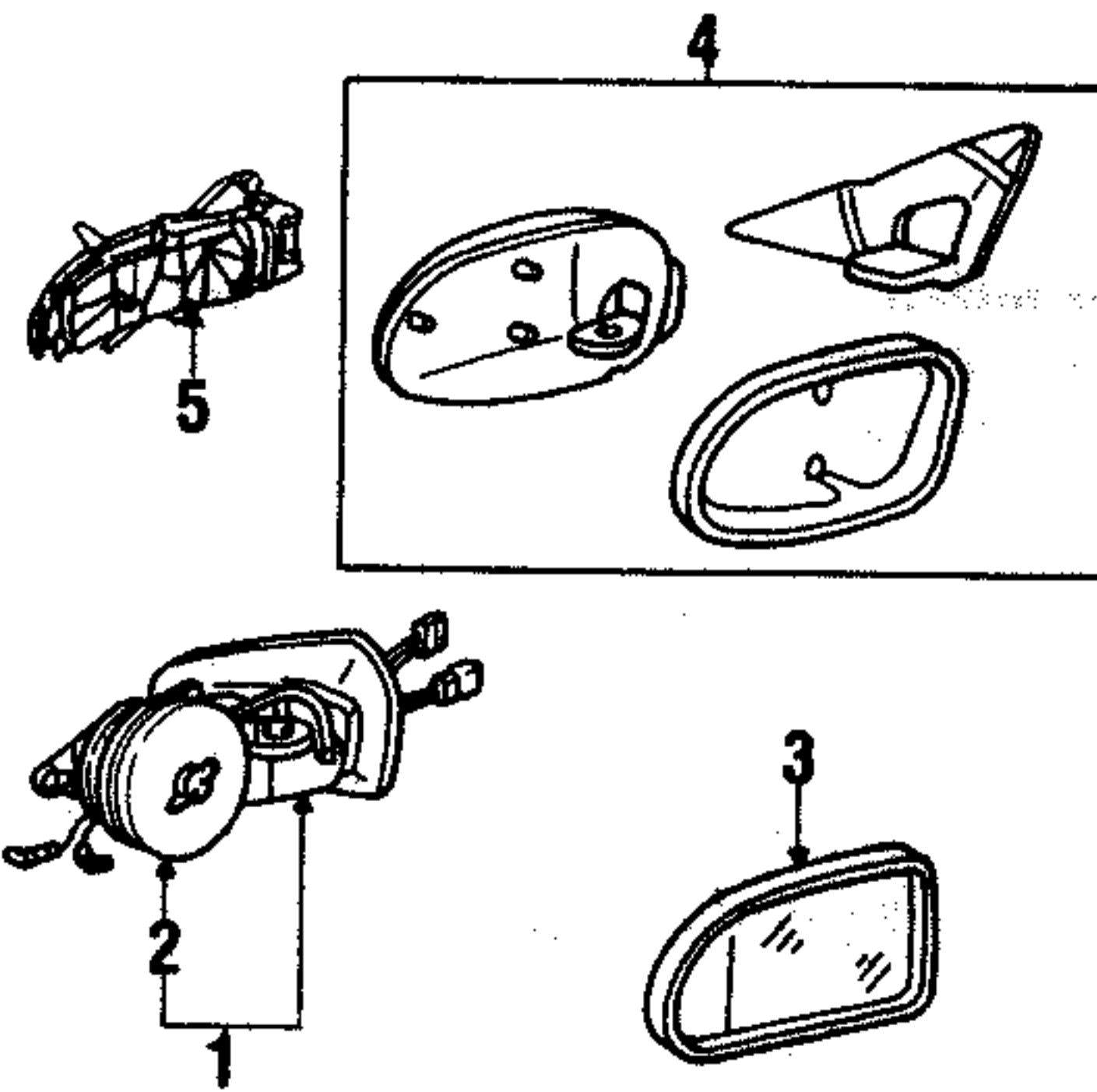
DOOR (CONT)

EXTERIOR TRIM

1 Belt molding			
coupe	98-01R	75.00	0.3= 208 690 06 80
	98-01L	75.00	0.3= 208 690 05 80
convertible	99-01R	84.00	0.3= 208 690 10 80
	99-01L	84.00	0.3= 208 690 09 80
2 Body side midg			
alto gray	(p.6) 98-01R	48.50#	0.3 208 690 06 627700
	(p.6) 98-01L	48.50#	0.3 208 690 05 627700
sodalite blue	(p.6) 98-01R	48.50#	0.3 208 690 06 625205
	(p.6) 98-01L	48.50#	0.3 208 690 05 625205
corundum red	(p.6) 98-01R	48.50#	0.3 208 690 06 623549
	(p.6) 98-01L	48.50#	0.3 208 690 05 623549
3 retainer	98-01B	1.00†	007 988 71 78
4 clip	98-01B	.70†	008 988 63 78

PARTS: Order by color. LABOR: Refinish time is provided for those instances when required color is not available or for some repair situations.

† PARTS: Part is included with body side molding.



5769375

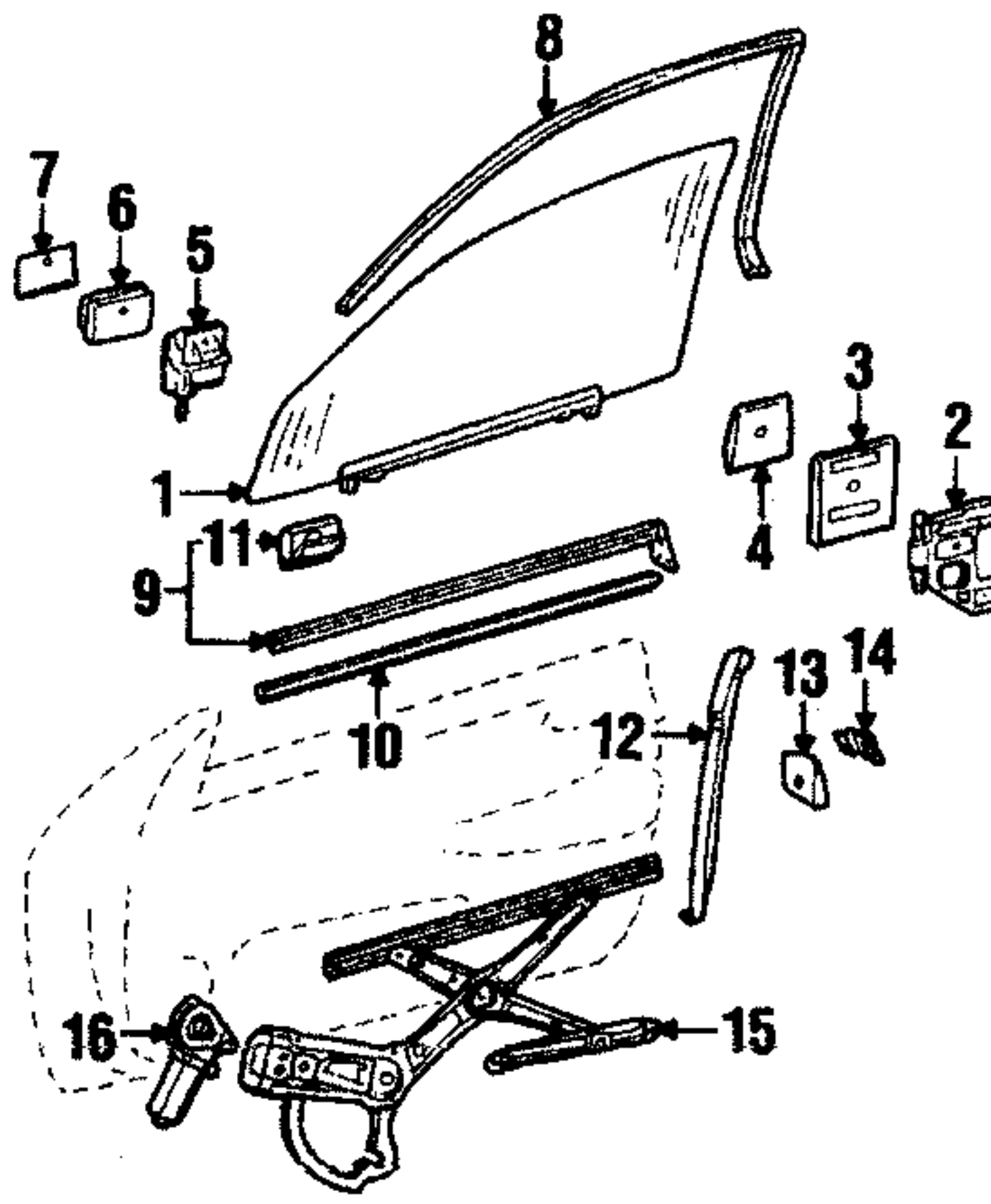
OUTSIDE MIRRORS

1 Frame assy			
	98-99R	117.00#	0.3 208 810 04 76
	98-99L	160.00#	0.3 208 810 11 76
	00-01R	127.00#	0.3 208 810 20 76
	00-01L	170.00#	0.3 208 810 25 76
2 Motor	98-01B	159.00†	0.3 210 820 13 42
3 Glass			
	98-99R	47.00	0.3 170 810 06 21
	98-99L	210.00	0.3 208 810 01 21
	00-01R	89.00	0.3 208 810 14 21
	00-01L	254.00	0.3 208 810 05 21
4 Housing assy			
black	(p.6) 98-99R	79.00‡	0.6 208 810 00 799040
	(p.6) 98-99L	79.00‡	0.6 208 810 01 799040
	(p.6) 00-01R	244.00‡	0.8 208 810 04 649040
	(p.6) 00-01L	139.00‡	0.8 208 810 03 649040
white	(p.6) 98-99R	79.00‡	0.6 208 810 00 799143
	(p.6) 98-99L	79.00‡	0.6 208 810 01 799143
	(p.6) 00-01R	244.00‡	0.8 208 810 04 649143
	(p.6) 00-01L	139.00‡	0.8 208 810 03 649143
silver	(p.6) 98-99R	79.00‡	0.6 208 810 00 799744
	(p.6) 98-99L	79.00‡	0.6 208 810 01 799744
	(p.6) 00-01R	244.00‡	0.8 208 810 04 649744
	(p.6) 00-01L	139.00‡	0.8 208 810 03 649744
5 Turn signal lamp			
	00-01R	33.50	170 820 16 21
	00-01L	33.50	170 820 15 21

LABOR: After mirror removed.

† PARTS: Part is included in frame assembly.

‡ PARTS: Order by color. LABOR: Refinish time is provided for those instances when required color is not available or for some repair situations.



5769380

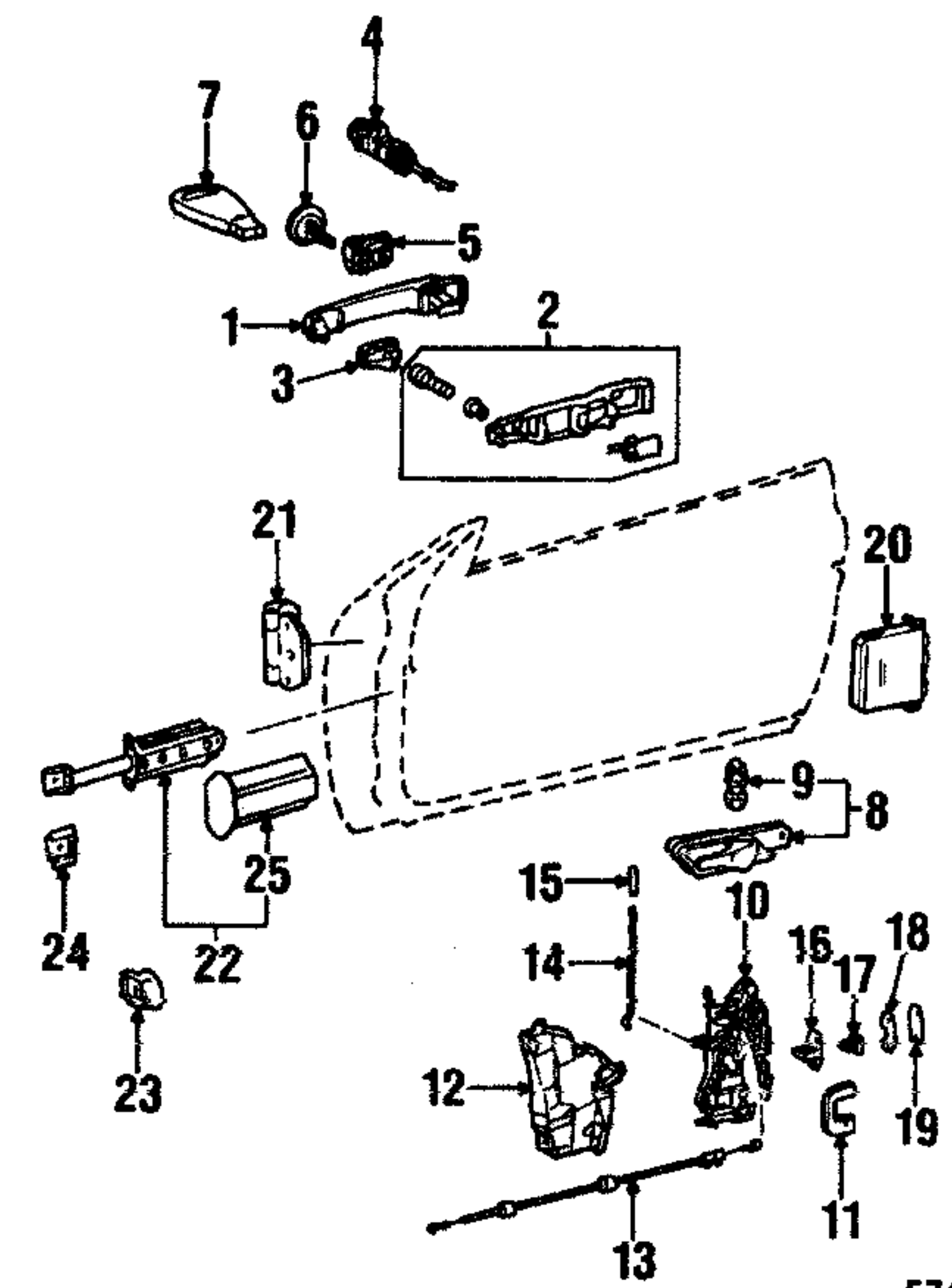
GLASS & HARDWARE

Glass			
Mercedes, coupe			
green tint	98-01R	89.00†	1.5 208 720 08 18
	98-01L	89.00†	1.5 208 720 07 18
blue tint	00-01R	85.00†	1.5 208 720 12 18
	00-01L	85.00†	1.5 208 720 11 18
NAGS, coupe			
green tint	98-01R	271.25	1.5 FD20462GTN
	98-01L	271.25	1.5 FD20463GTN
Mercedes, convertible			
green tint	99-01R	85.00†	1.5 208 720 04 18
	99-01L	85.00†	1.5 208 720 03 18
blue tint	00-01R	85.00†	1.5 208 720 16 18
	00-01L	85.00†	1.5 208 720 15 18
NAGS, convertible			
green tint	99-01R	271.25	1.5 FD20462GTN
	99-01L	271.25	1.5 FD20463GTN
2 guide	98-01R	24.50	0.2 208 720 02 25
	98-01L	27.00	0.2 208 720 01 25
3 pad	98-01B	1.70	126 725 08 97
4 plate	98-01B	8.25	126 725 09 11
5 Glass holder			
	98-01R	12.50	0.2 208 725 02 48
	98-01L	12.00	0.2 208 725 01 48
6 pad	98-01B	1.40	208 725 01 97
7 retainer	98-01B	1.90	208 725 01 40
8 Upper seal			
coupe	98 R	100.00	0.3 208 720 02 54
	98 L	91.00	0.3 208 720 01 54
	99-00R	100.00	0.3 208 720 08 54
	99-00L	95.00	0.3 208 720 07 54
	01 R	102.00	0.3 208 720 14 54
	01 L	102.00	0.3 208 720 13 54
Belt w' strip			
9 outer	98-00R	18.50‡	0.3 208 720 14 24
	98-00L	16.50‡	0.3 208 720 13 24
	01 R	16.50‡	0.3 208 720 22 24
	01 L	16.50‡	0.3 208 720 22 24
10 inner	98-00B	13.50	208 725 05 65
	01 R	13.00	208 725 08 65
	01 L	13.00	208 725 07 65
11 clip	98-01B	.50†	008 988 76 78
12 Rear guide			
	98-01R	10.50	0.2 208 725 02 30
	98-01L	10.50	0.2 208 725 01 30
13 Slide	98-01B	1.70	124 725 00 34
14 bracket	98-01B	3.50	208 725 00 31
15 Regulator			
	98-00R	87.00#	1.0 208 720 04 46
	98-00L	87.00#	1.0 208 720 03 46
	01 R	90.00#	1.0 208 720 08 46
	01 L	90.00#	1.0 208 720 07 46
16 Motor	98-00R	151.00	0.5 208 820 14 42
	98-00L	151.00	0.5 208 820 13 42
	01 B	159.00	0.5 208 820 27 42

LABOR: After glass is removed.

† PARTS: Part is included with outer belt weatherstrip.

‡ PARTS: Order by description.



5769385

LOCK & HARDWARE

1 Handle, outside			
black	(p.5) 98-01R	49.50#	0.4 208 760 02 709040
	(p.5) 98-01L	54.00#	0.4 208 760 01 709040
white	(p.5) 98-01R	49.50#	0.4 208 760 02 709143
	(p.5) 98-01L	54.00#	0.4 208 760 01 709143
silver	(p.5) 98-01R	49.50#	0.4 208 760 02 709744
	(p.5) 98-01L	54.00#	0.4 208 760 01 709744
2 bracket assy	98-01B	12.00	0.5 202 760 06 34
3 pad	98-01B	.85	202 766 03 05
4 Lock cylinder			
	98-99	124.00†	0.3 208 760 01 05
	00-01	117.00†	0.3 208 760 02 05
5 Guide			
black	98	136.00#	208 760 07 779040
	99-01	132.00#	208 760 11 779040
white	98	136.00#	208 760 07 779143
	99-01	132.00#	208 760 11 779143
silver	98	136.00#	208 760 07 779744
	99-01	132.00#	208 760 11 779744
6 Cylinder cover	98-01	.70	210 766 00 56
7 Key			
w/transponder	98-01	130.00‡	208 766 19 069999
8 Handle, inside			
	98-01R	20.50	0.2 208 760 02 61
	98-01L	23.50	0.2 208 760 01 61
9 clip	98-01B	.70†	124 988 09 78
10 Lock			
	98-01R	85.00	0.5 208 720 04 35
	98-01L	85.00	0.5 208 720 01 35
11 inner cover			
anthracite	98-01R	2.20	210 723 02 249B51
	98-01L	2.20	210 723 01 249B51
quartz	98-01R	2.20	210 723 02 248G69
	98-01L	2.20	210 723 01 248G69
gray	98-01R	2.20	210 723 02 247D43
	98-01L	2.20	210 723 01 247D43
12 Lock cover	98-01R	3.40	208 723 02 08
	98-01L	3.40	208 723 01 08
13 Pull rod	98-01B	6.00	0.2 208 760 01 04
14 Lock rod			
	98-01R	1.70	0.2 208 723 02 39
	98-01L	1.90	0.2 208 723 01 39
15 Lock knob	98-01B	.70	123 766 00 22
16 Striker	98-01B	8.25	0.3 208 720 01 04
17 Insert	98-01B	.70	140 723 00 79
18 plate	98-01B	8.75	201 723 00 11
19 shim	98-01B	8.25	140 723 02 11
20 Control module			
	98-99R	138.00‡	0.3 208 820 15 26
	98-99L	138.00‡	0.3 208 820 14 26
	00 R	115.00‡	0.3 210 820 78 26
	00 L	115.00‡	0.3 210 820 77 26
	01 R	‡	0.3 210 820 22 26
	01 L	‡	0.3 210 820 21 26
21 Hinge	(p.3) 98-01B	18.50*	0.5 210 720 00 37
22 Check strap			
	98-00B	44.50	0.3 140 720 09 16
	01 B	30.50	0.3 170 720 00 16
23 seal	98-01B	1.90	202 727 24 30
24 bracket	98-01B	.85	202 723 01 14
25 cover	98-99B	4.00@	140 722 01 08

PARTS: Order by color. LABOR: Refinish time is provided for those instances when required color is not available or for some repair situations.

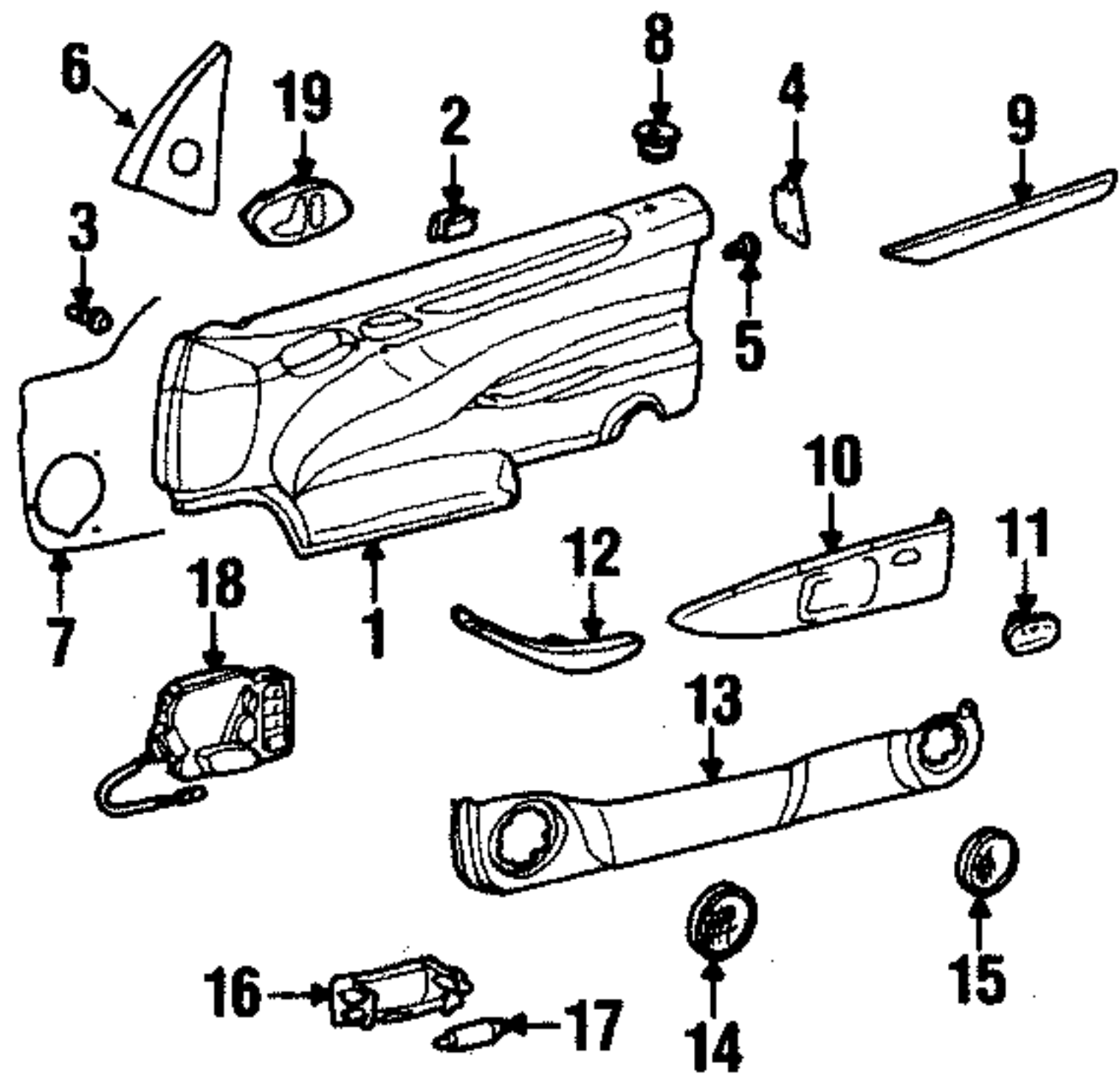
† PARTS: Order by lock number. LABOR: After door handle is removed.

* PARTS: Order by description.

‡ PARTS: Part is included with inside handle.

@ PARTS: Part is included with check strap.

LABOR: After door is removed.



5769390

INTERIOR TRIM

1 Door trim panel			
anthracite	98-99R	740.00#	1.0 208 720 68 709B50
	98-99L	740.00#	1.0 208 720 67 709B50
	00-01R	760.00#	1.0 208 720 90 629B50
	00-01L	1410.00#	1.0 208 720 91 629B50
quartz	98-99R	740.00#	1.0 208 720 68 708G70
	98-99L	740.00#	1.0 208 720 67 708G70
	00-01R	760.00#	1.0 208 720 90 628G70
	00-01L	1410.00#	1.0 208 720 91 628G70
gray	98-99R	740.00#	1.0 208 720 68 707D44
	98-99L	740.00#	1.0 208 720 67 707D44
	00-01R	760.00#	1.0 208 720 90 627D44
	00-01L	1410.00#	1.0 208 720 91 627D44
2 clip			
upper	98-01B	.50	202 988 24 78
lower	98-01B	.40	006 988 43 78
4 Trim cover			
	98-01R	38.50	0.2 208 728 02 21
	98-01L	38.50	0.2 208 728 01 21
5 fastener			
	98-01B	.70	123 690 00 18
6 Mirror cover			
anthracite	98-01R	3.00	0.1 208 725 02 117211
	98-01L	2.70	0.1 208 725 01 117211
quartz	98-01R	3.00	0.1 208 725 02 111424
	98-01L	2.70	0.1 208 725 01 111424
gray	98-01R	3.00	0.1 208 725 02 117208
	98-01L	2.70	0.1 208 725 01 117208
7 Inner seal			
w/o speaker	98-01B	3.50	202 727 21 30
w/speakers	98-01B	1.90	208 727 00 30
8 Lock knob guide			
	98-01B	.70	201 992 12 05
9 Molding			
	98-01R	175.00#	208 720 04 22
	98-01L	175.00#	208 720 03 22
10 Center panel			
	98-01B		NOT SERVICED
11 Nameplate			
"SRS"			
anthracite	98-01B	1.30#	0.2 210 727 10 889B51
quartz	98-01B	1.30#	0.2 210 727 10 888G69
gray	98-01B	1.30#	0.2 210 727 10 887D43
12 Pull handle			
upper			
anthracite	98-01R	55.00	0.2 208 810 04 549B50
	98-01L	53.00	0.2 208 810 03 549B50
quartz	98-01R	55.00	0.2 208 810 04 548G70
	98-01L	53.00	0.2 208 810 03 548G70
gray	98-01R	55.00	0.2 208 810 04 547D44
	98-01L	53.00	0.2 208 810 03 547D44
lower			
anthracite	98-99R	69.00	0.2 208 810 02 549B50
	98-99L	69.00	0.2 208 810 01 549B50
	00-01R	69.00	0.2 208 810 06 549B50
	00-01L	62.00	0.2 208 810 05 549B50
quartz	98-99R	69.00	0.2 208 810 02 548G70
	98-99L	69.00	0.2 208 810 01 548G70
	00-01R	69.00	0.2 208 810 06 548G70
	00-01L	62.00	0.2 208 810 05 548G70
gray	98-99R	69.00	0.2 208 810 02 547D54
	98-99L	69.00	0.2 208 810 01 547D54
	00-01R	69.00	0.2 208 810 06 547D54
	00-01L	62.00	0.2 208 810 05 547D54
13 Pocket			
anthracite			
to 12/98	98-99R	82.00	208 720 02 589B70
	98-99L	82.00	208 720 01 589B70
from 01/99	99-01R	117.00	208 720 04 589B70
	99-01L	117.00	208 720 03 589B70
quartz			
to 12/98	98-99R	82.00	208 720 02 588G73
	98-99L	82.00	208 720 01 588G73
from 1/99	99-01R	117.00	208 720 04 588G73
	99-01L	117.00	208 720 03 588G73
gray			
to 12/98	98-99R	82.00	208 720 02 587D48
	98-99L	82.00	208 720 01 587D48
from 1/99	99-01R	117.00	208 720 04 587D48
	99-01L	117.00	208 720 03 587D48

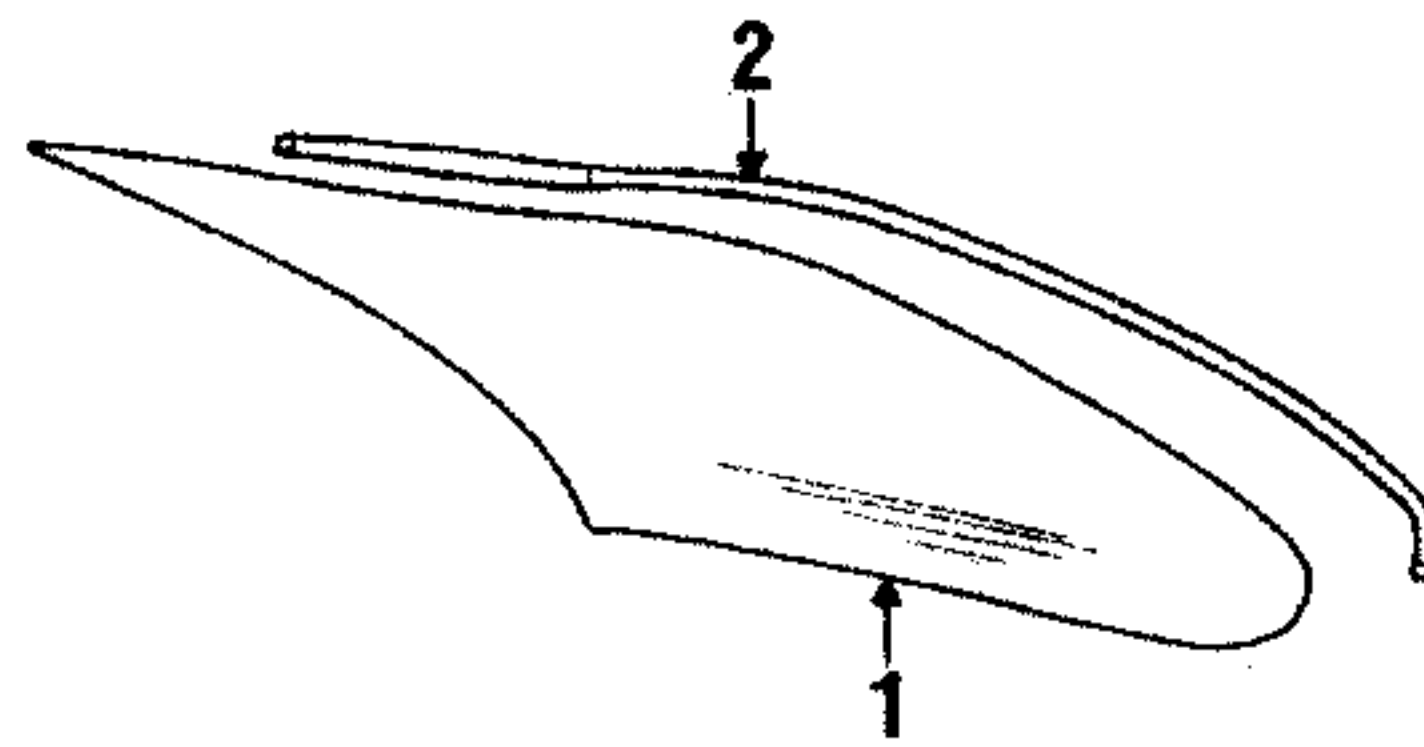
Speaker grille

14 front			
anthracite	98-01R	10.50	208 727 02 889B51
	98-01L	10.50	208 727 01 889B51
quartz	98-01R	10.50	208 727 02 888G69
	98-01L	10.50	208 727 01 888G69
gray	98-01R	10.50	208 727 02 887D43
	98-01L	10.50	208 727 01 887D43
15 rear			
anthracite	98-01B	9.75	208 727 03 889B51
quartz	98-01B	9.75	208 727 03 888G69
gray	98-01B	9.75	208 727 03 887D43
16 Courtesy lamp			
	98-01B	3.50	124 820 04 01
17 Bulb			
	98-01B	1.20	072 601 01 2130
18 Seat switch			
	98-01R	113.00	210 820 90 10
	98-01L	113.00	210 820 91 10
19 Switch bezel			
burr walnut			
	98-01R	115.00	208 720 04 48
	98-01L	115.00	208 720 03 48
curly ahorn			
	98-99R	154.00#	208 720 05 488H39
	98-99L	222.00#	208 720 06 488H39
	00-01R	240.00#	208 720 19 488H39
	00-01L	222.00#	208 720 20 488H39
magic eyes			
	98-99R	#	208 720 07 485B89
	98-99L	230.00#	208 720 08 485B89

PARTS: Order by color and description.

† PARTS: Order by color.

BACK GLASS COUPE



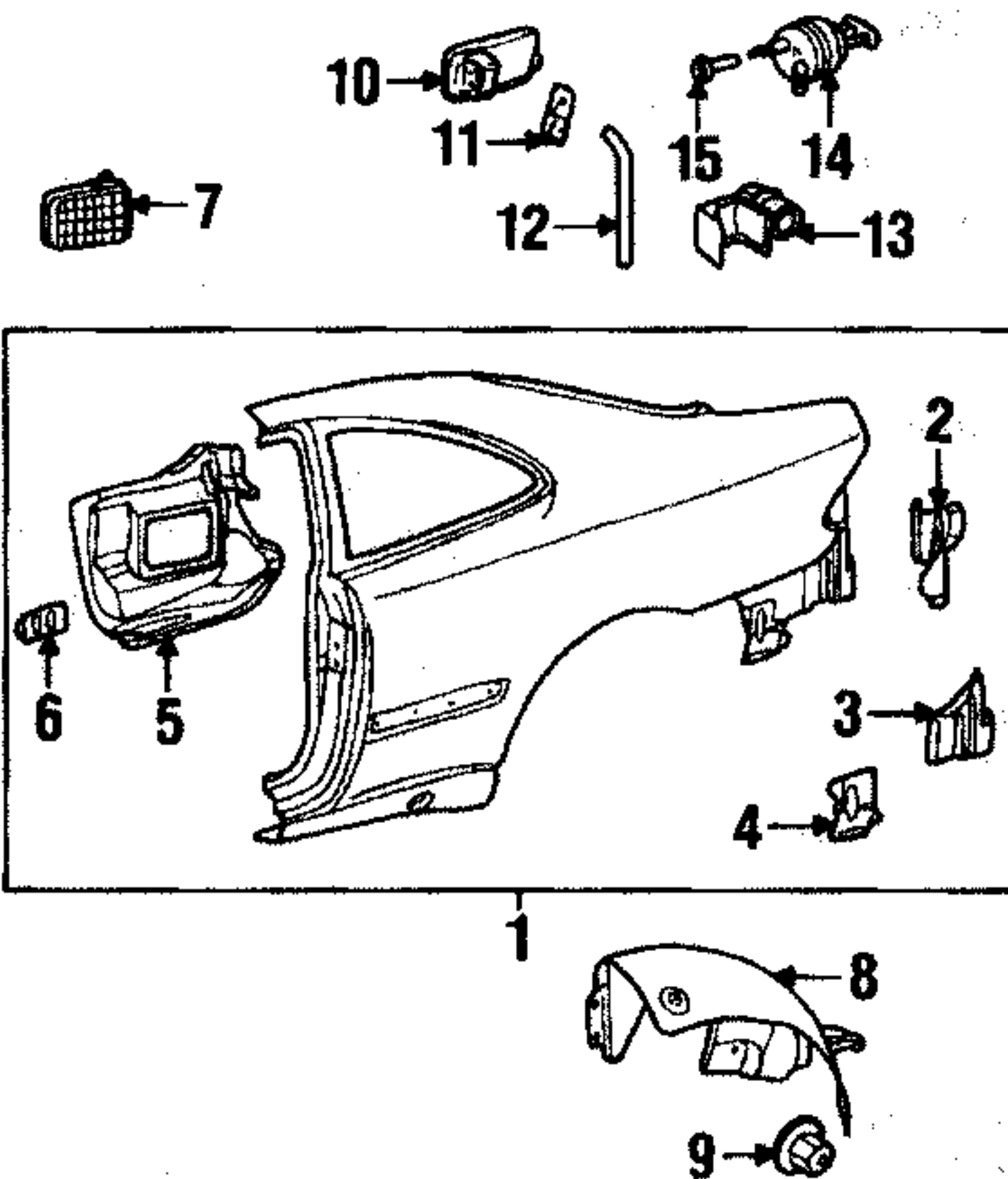
5769395

PARTS AND R&R OPERATIONS

GLASS

1 Back glass			
Mercedes			
green tint	98-99	505.00	5.0 208 670 01 80
	00-01	520.00	5.0 208 670 06 80
blue tint	00-01	520.00	5.0 208 670 05 80
NAGS			
green tint	98-01		5.0 FD20466GTN
Installation kit			
	98-01	137.00	208 670 00 93
2 Joint cover			
	98-01	3.40	208 678 08 37

QUARTER PANEL COUPE



5769400

REFINISHING NOTES

Add for stone guard if required. See Guide To Estimating.

Refin quarter panel

exterior surface only	98-01	p.2.7
edges & pockets	98-01	p.3
lock pillar	98-01	p.5

OVERLAP OPERATIONS

R&R quarter panel with rocker off		
deduct	98-01	1.0
with roof off		
deduct	98-01	8.5

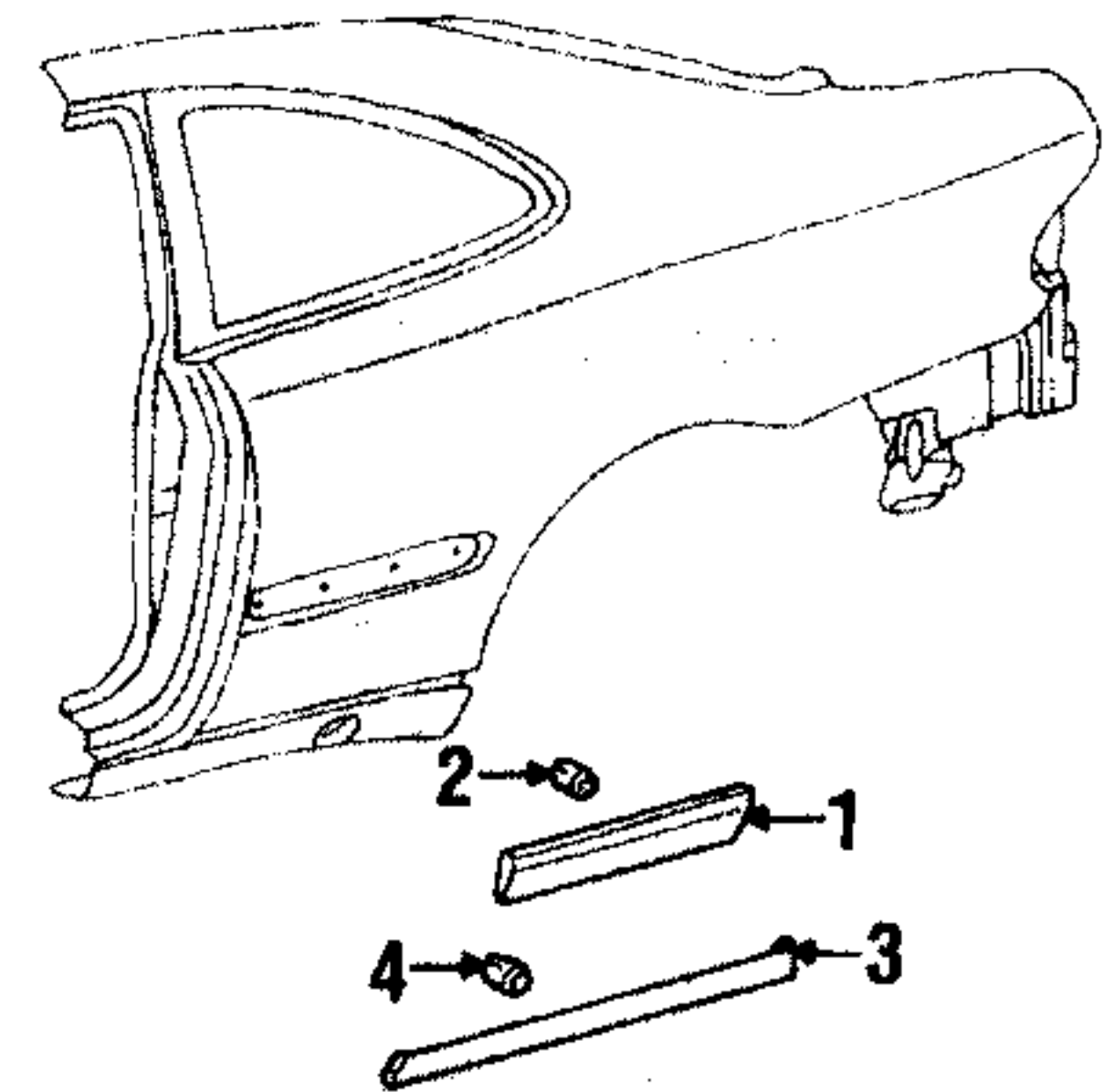
PARTS AND R&R OPERATIONS

QUARTER PANEL & COMPONENTS

1 Outer panel assy			
(p.3.7)	98-01R	505.00	18.5 208 630 14 01
(p.3.7)	98-01L	505.00	18.0 208 630 13 01
2 filler panel			
	98-01R	43.50#	1.5 208 630 02 89
	98-01L	43.50#	1.5 208 630 01 89
3 extension			
left side	98-01	20.00#	208 637 07 36
4 Bumper bracket			
left side	98-01	7.00#	208 637 03 31
5 Floor			
right side	98-01	51.00#	208 637 02 60
6 bracket			
	98-01	3.40#	210 637 03 14
Insulation			
at pillar	98-01R	47.00	208 682 06 30
	98-01L	47.00	208 682 05 30
7 Pressure vent			
	98-01	13.00	0.2 140 830 00 42
8 Splash shield			
	98-99R	25.00	0.4 208 698 20 30
	98-99L	25.00	0.4 208 698 19 30
	00-01R	25.00	0.4 208 698 60 30
	00-01L	25.00	0.4 208 698 59 30
9 nut			
	98-01B	.40	201 990 00 50
10 Fuel door			
(p.3)	98-01	40.00	0.3 208 750 02 06
11 spring			
	98-01	5.00	140 758 16 36
12 Drain hose			
	98-01	6.25	210 639 01 94
13 clamp			
	98-01	.85	000 476 04 40
14 Actuator			
	98-01	32.00†	0.3 210 800 11 75
15 guide			
	98-01	4.00	210 800 00 79

PARTS: Part is included in outer panel assembly.

‡ LABOR: After trim is removed.

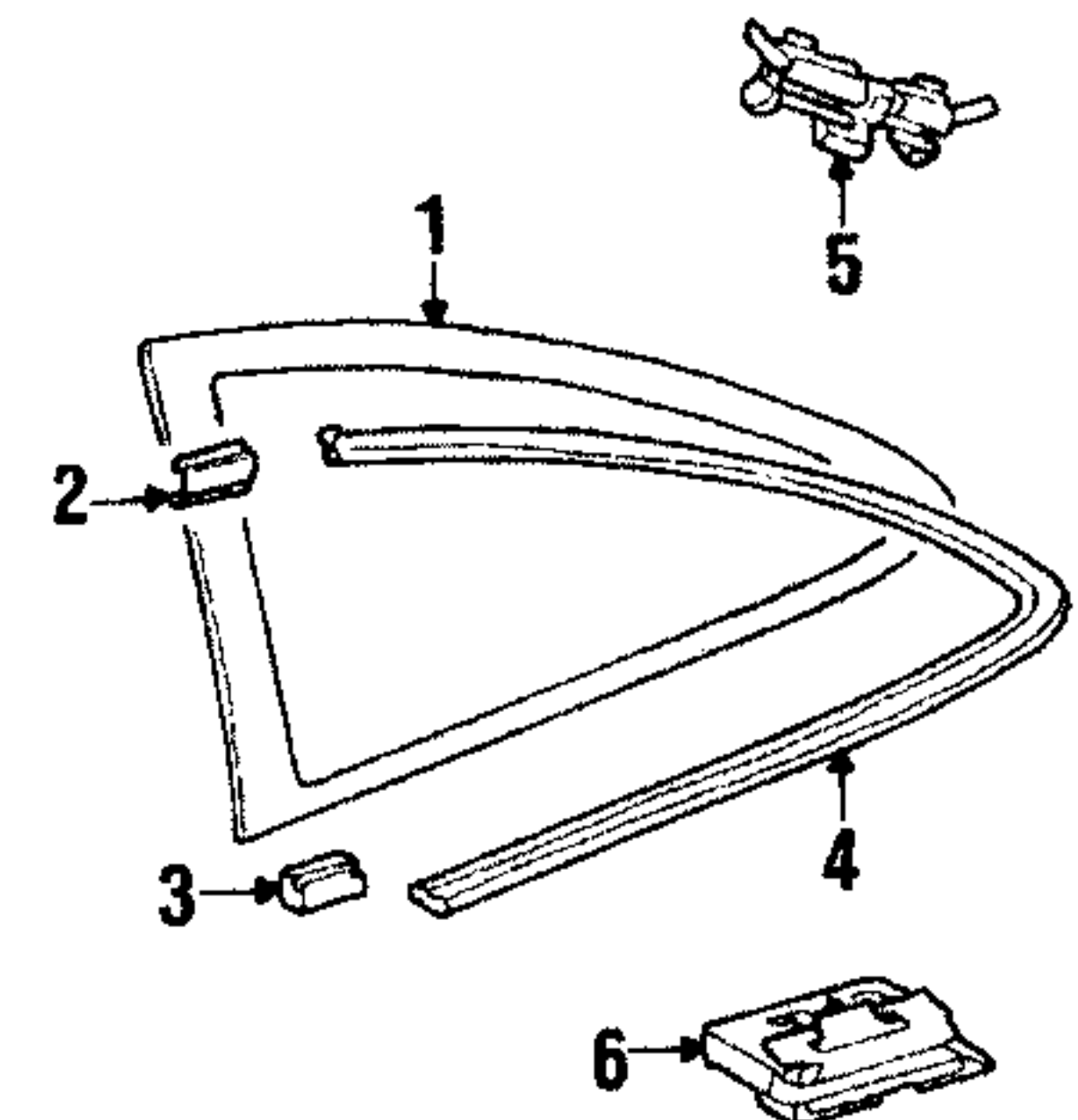


5769405

EXTERIOR TRIM

1 Body side mldg			
alto gray	(p.4) 98-01R	59.00#	0.3 208 690 04 627700
	(p.4) 98-01L	54.00#	0.3 208 690 03 627700
sodalite blue	(p.4) 98-01R	59.00#	0.3 208 690 04 625205
	(p.4) 98-01L	54.00#	0.3 208 690 03 625205
corundum red	(p.4) 98-01R	59.00#	0.3 208 690 04 623549
	(p.4) 98-01L	54.00#	0.3 208 690 03 623549
2 fastener			
	98-01B	.50	001 988 76 81
3 Lower molding			
	98-99R	28.50	0.2= 208 690 10 62
	98-99L	28.50	0.2= 208 690 09 62
4 clip			
	98-99B	.50	001 988 76 81

PARTS: Order by color. LABOR: Refinish time is provided for those instances when required color is not available or for some repair situations.



5769410

GLASS

1 Quarter glass			
Mercedes			
green tint	98-01R	64.00	3.0 208 670 02 12
	98-01L	64.00	3.0 208 670 01 12
blue tint	00-01R	75.00	3.0 208 670 06 12
	00-01L	75.00	3.0 208 670 05 12
NAGS			
green tint	98-01R	335.80	3.0 FQ20464GTN
	98-01L	335.80	3.0 FQ20465GTN
2 adapter			
	98-01B	6.50	208 673 01 47
3 spacer			
	98-01B	2.00	210 671 01 53
Installation kit			
	98-01B	90.00	210 670 02 93

CONTINUED

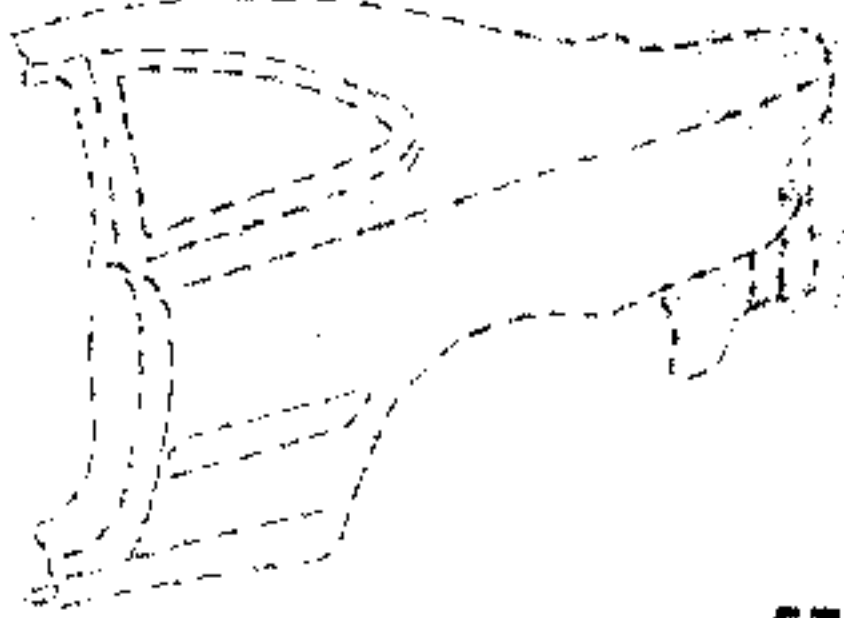
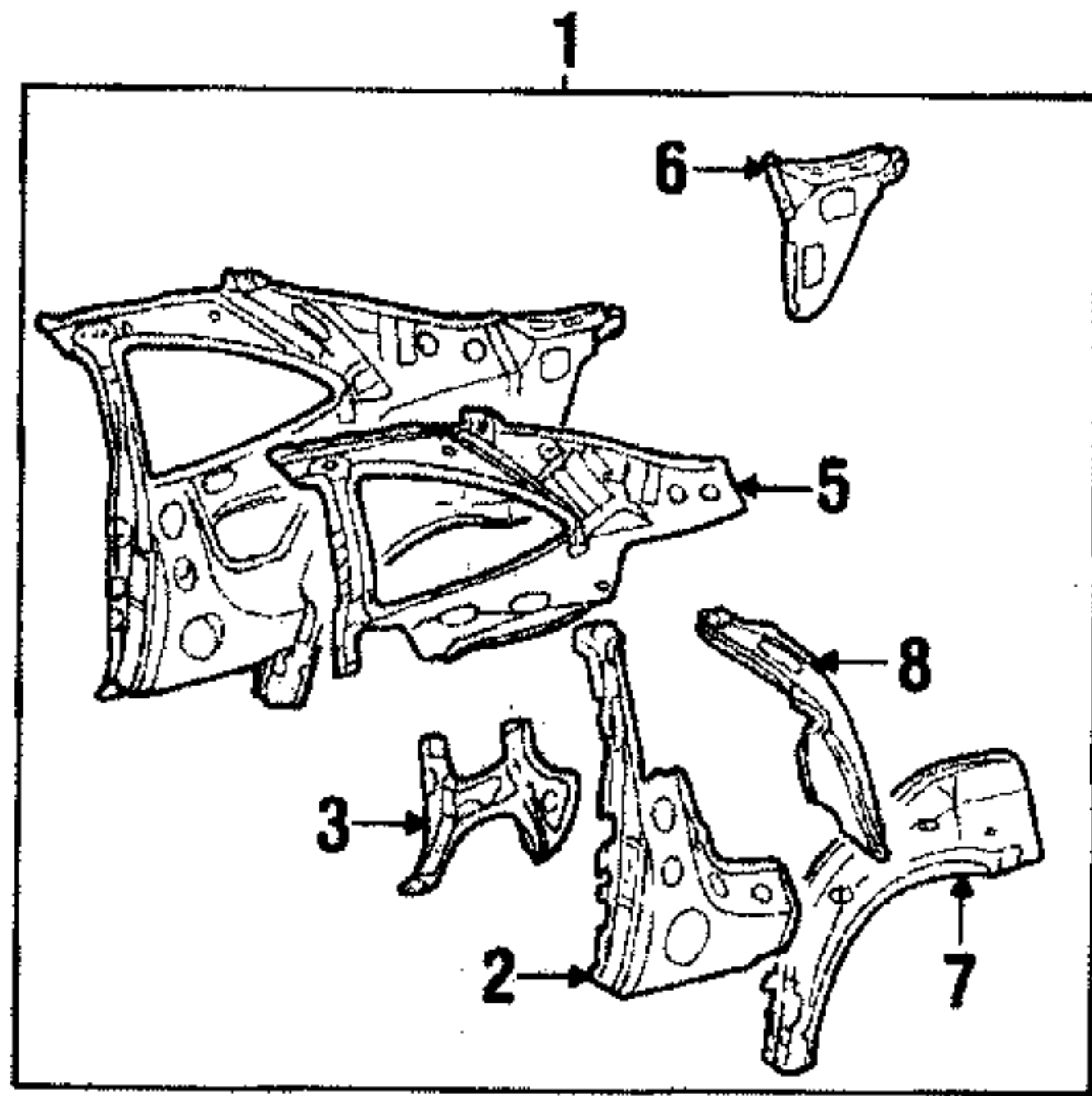
1998-01 M/BENZ CLK CLASS

CLK200, CLK190, CLK55

ERI 5769

QUARTER PANEL COUPE (CONT)

4 Window molding	98-01R	145.00	0.5	208 670 08 87
	98-01L	145.00	0.5	208 670 07 87
clip				
5 upper	98-01B	2.40		009 988 50 78
6 lower	98-01B	.40		009 988 79 78

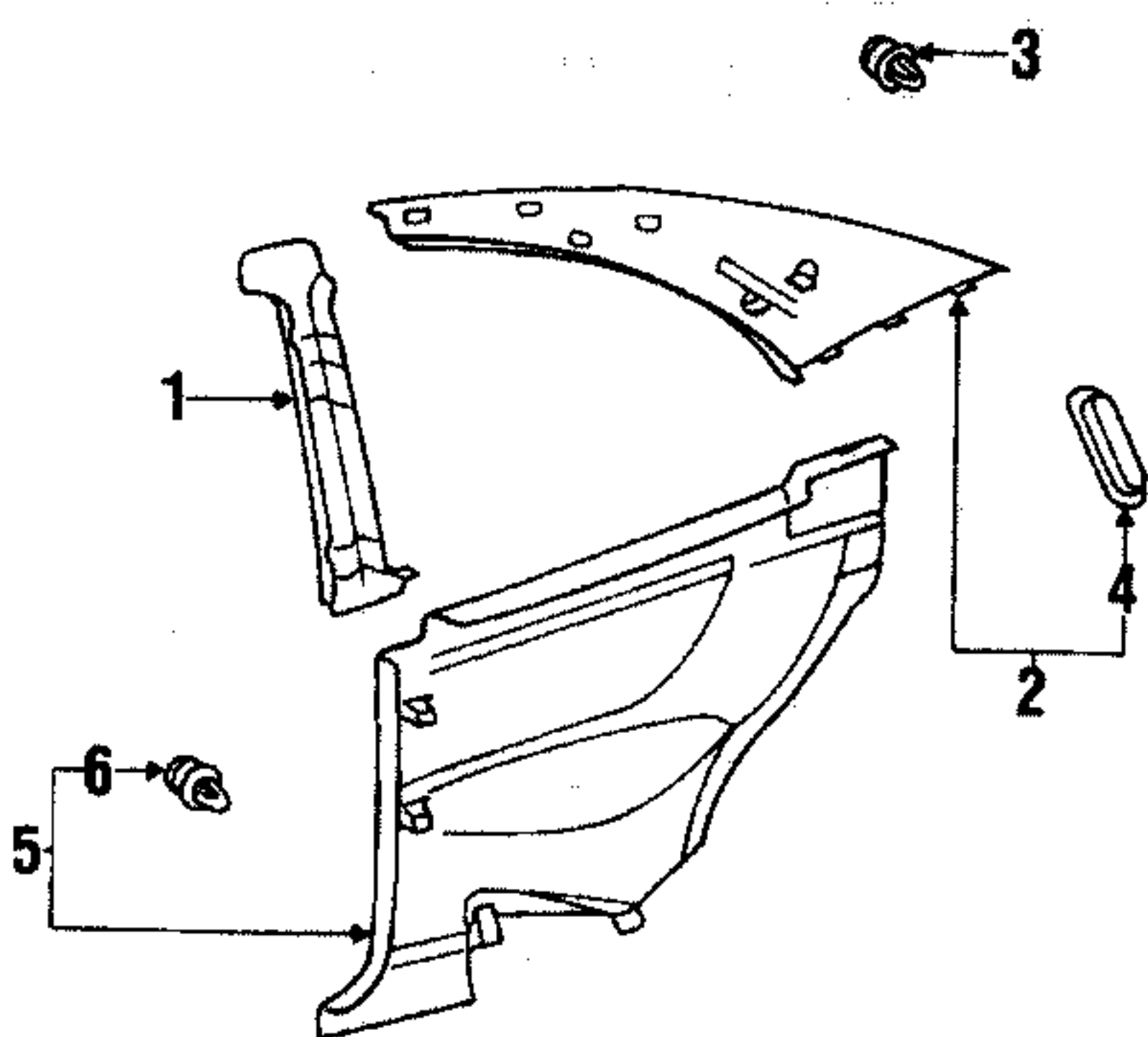


5769415

INNER STRUCTURE

1 Inner panel assy	98-01R	444.00	7.5	208 630 16 01
	98-01L	444.00	7.5	208 630 15 01
Lock pillar				
2 outer	98-01R	146.00	3.0	208 630 10 11
	98-01L	146.00	3.0	208 630 09 11
3 inner	98-01R	30.00	#	208 630 04 11
	98-01L	30.00	#	208 630 03 11
4 Pillar panel	98-01R	17.50	1.5	208 637 06 24
	98-01L	17.50	1.5	208 637 05 24
5 Upper panel	98-99R	480.00	4.0	208 630 04 01
	98-99L	480.00	4.0	208 630 03 01
	00-01R	480.00	4.0	208 630 04 01
	00-01L	156.00	4.0	208 630 23 01
6 Connector	98-01R	33.50	#	208 637 02 23
	98-01L	33.50	#	208 637 01 23
7 Outer wheelhouse	98-01R	45.50	2.5	208 637 02 76
	98-01L	45.50	2.5	208 637 01 76
8 Rear pillar	98-01R	33.50	#	208 637 02 22
	98-01L	33.50	#	208 637 01 22
9 Jack bracket	98-01R	32.00	1.5	208 630 06 31
	98-01L	29.50	1.5	208 630 05 31

PARTS: Part is included in inner panel assembly.
 † PARTS: Part is included in inner panel assembly.
 LABOR: Time is after outer panel is removed.



5769420

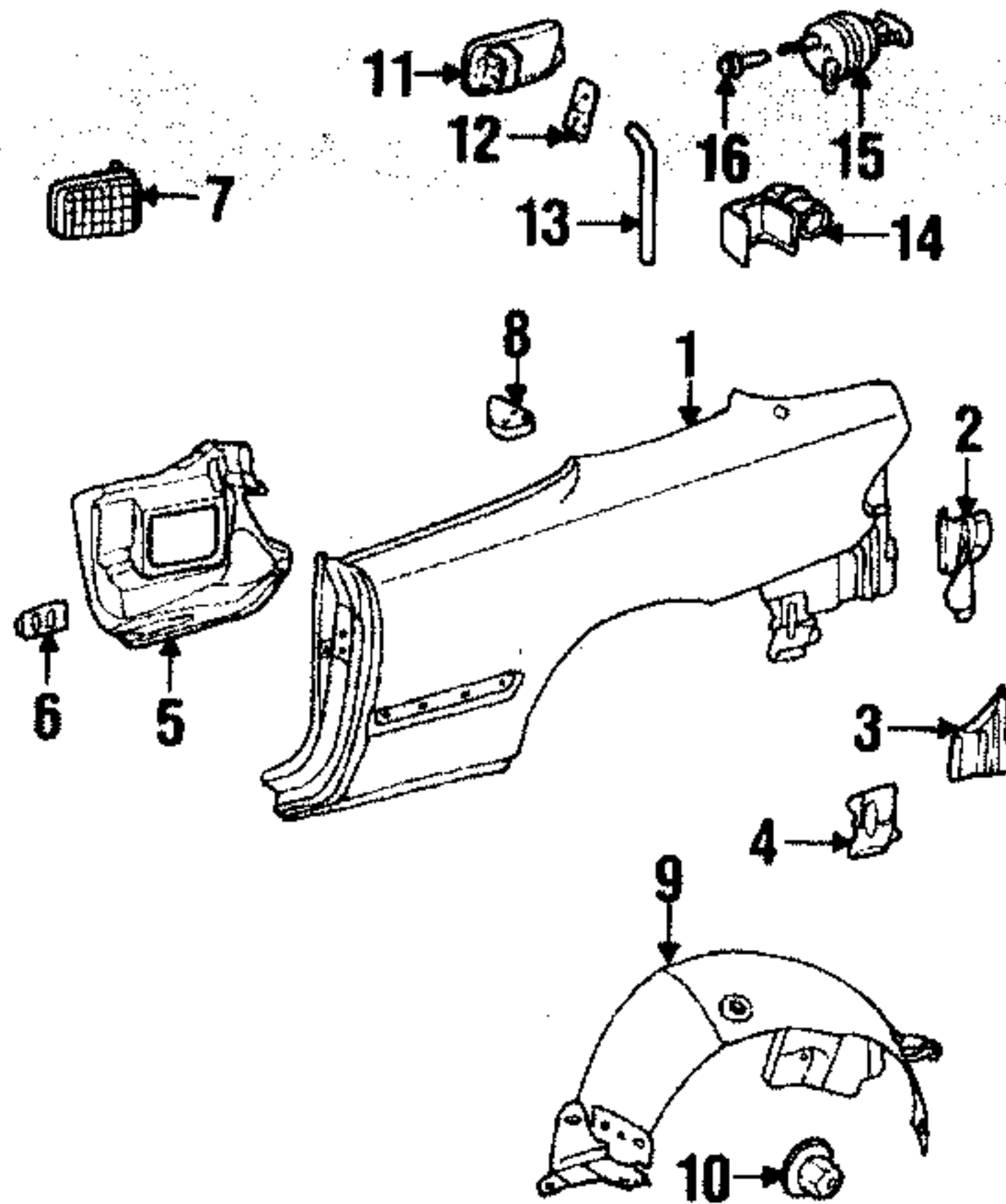
INTERIOR TRIM

1 Lock pillar trim				
anthracite	98-01R	46.00	0.2	208 690 10 259B70
	98-01L	50.00	0.2	208 690 09 259B70
quartz	98-01R	46.00	0.2	208 690 10 258G73
	98-01L	50.00	0.2	208 690 09 258G73
gray	98-01R	46.00	0.2	208 690 10 257D48
	98-01L	50.00	0.2	208 690 09 257D48
2 Qtr pillar trim				
anthracite	98-01R	102.00	0.3	208 690 08 259B70
	98-01L	102.00	0.3	208 690 07 259B70
quartz	98-01R	102.00	0.3	208 690 08 258G73
	98-01L	102.00	0.3	208 690 07 258G73
gray	98-01R	102.00	0.3	208 690 08 257D48
	98-01L	102.00	0.3	208 690 07 257D48

3 clip	98-01B	.20		007 988 34 78
4 Seat belt bezel				
anthracite	98-01B	1.50	#	124 695 00 599B51
quartz	98-01B	1.50	#	124 695 00 598G69
gray	98-01B	1.50	#	124 695 00 597D43
5 Lower qtr trim				
anthracite	98-99R	304.00	0.9	208 690 04 269B50
	98-99L	304.00	0.9	208 690 03 269B50
	00-01R	330.00	0.9	208 690 12 269B50
	00-01L	330.00	0.9	208 690 11 269B50
quartz	98-99R	304.00	0.9	208 690 04 268G70
	98-99L	304.00	0.9	208 690 03 268G70
	00-01R	330.00	0.9	208 690 12 268G70
	00-01L	330.00	0.9	208 690 11 268G70
gray	98-99R	304.00	0.9	208 690 04 267D44
	98-99L	304.00	0.9	208 690 03 267D44
	00-01R	330.00	0.9	208 690 12 267D44
	00-01L	330.00	0.9	208 690 11 267D44
6 clip	98-01B	.40	†	006 988 43 78

PARTS: Part is included with quarter pillar trim.
 † PARTS: Part is included with lower quarter trim.
 ‡ PARTS: Order by color and description.

QUARTER PANEL CONVERTIBLE



5769402

QUARTER PANEL & COMPONENTS

REFINISHING NOTES

Add for stone guard if required. See Guide To Estimating.

Refn quarter panel exterior surface only	99-01	p.2.5
edges & pockets	99-01	p.3
lock pillar	99-01	p.5

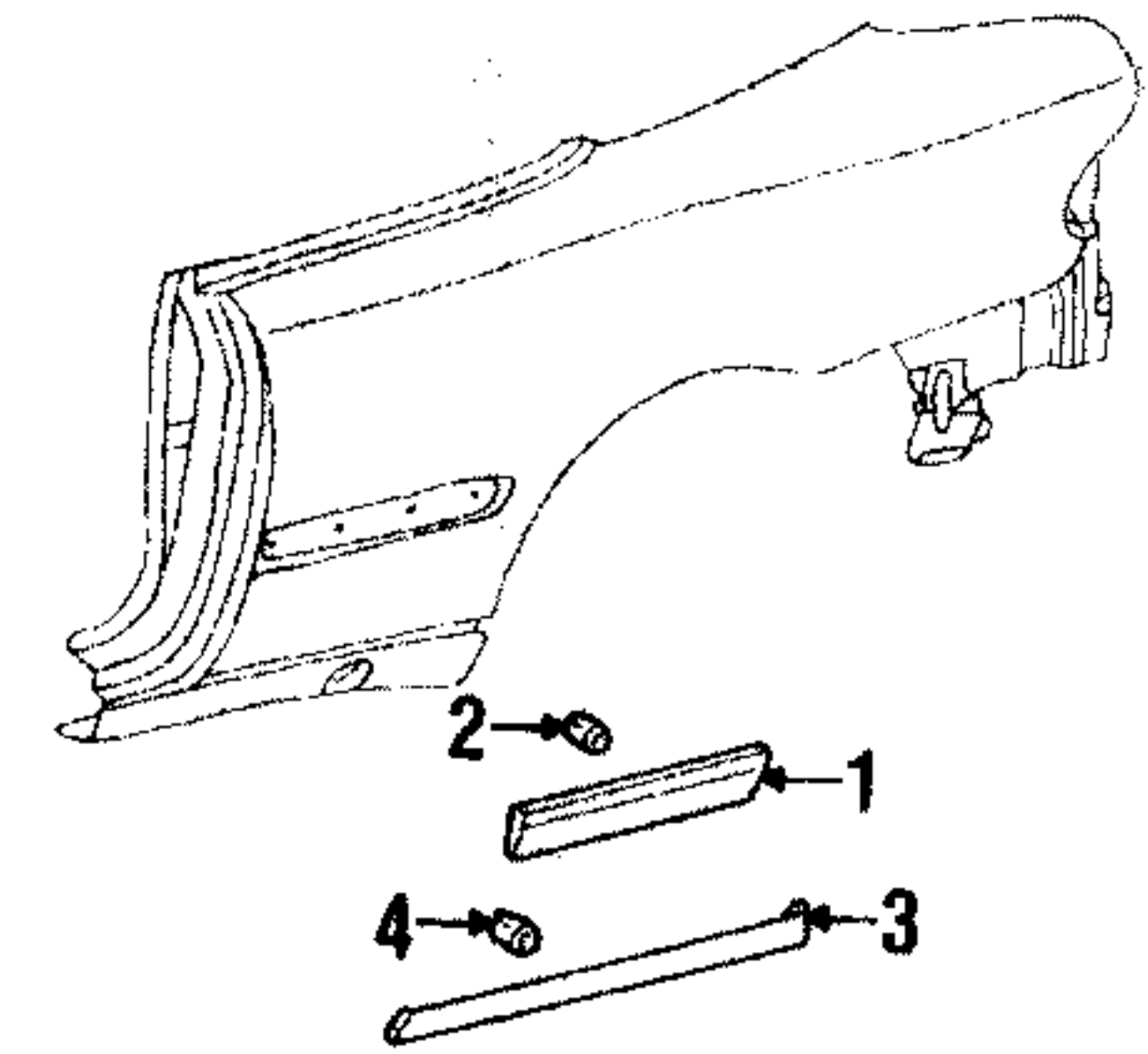
OVERLAP OPERATIONS

R&R quarter panel with rocker off		
deduct	99-01	1.0

PARTS AND R&R OPERATIONS

1 Outer panel assy	(p.3) 99-01R	515.00	16.0	208 630 10 21
	(p.3) 99-01L	515.00	15.5	208 630 09 21
2 filler panel	99-01R	43.50	1.5	208 630 02 89
	99-01L	43.50	1.5	208 630 01 89
3 extension				
left side	99-01	20.00	1.0	208 637 07 36
4 Bumper bracket				
left side	99-01	7.00	1.5	208 637 03 31
Floor				
5 right side	99-01	51.00	3.5	208 637 02 60
6 bracket	99-01	3.40		210 637 03 14
7 Pressure vent	99-01	13.00	0.2	140 830 00 42
8 Top pad	99-01B	14.00	1.0	208 636 01 20
9 Splash shield	99 R	127.00	0.4	208 690 26 62
	99 L	127.00	0.4	208 690 25 62
	00-01R	127.00	0.4	208 690 28 62
	00-01L	127.00	0.4	208 690 27 62
10 nut	99-01B	.40		201 990 00 50
11 Fuel door	(p.3) 00-01	50.00	0.3	208 750 03 06
12 spring	99-01	5.00		140 758 16 36
13 Drain hose	99-01	6.25		210 639 01 94
14 clamp	99-01	.85		000 476 04 40
15 Actuator	99-01	30.50	0.3	208 800 04 75
16 guide	99-01	4.80		202 800 01 79

LABOR: After trim is removed.

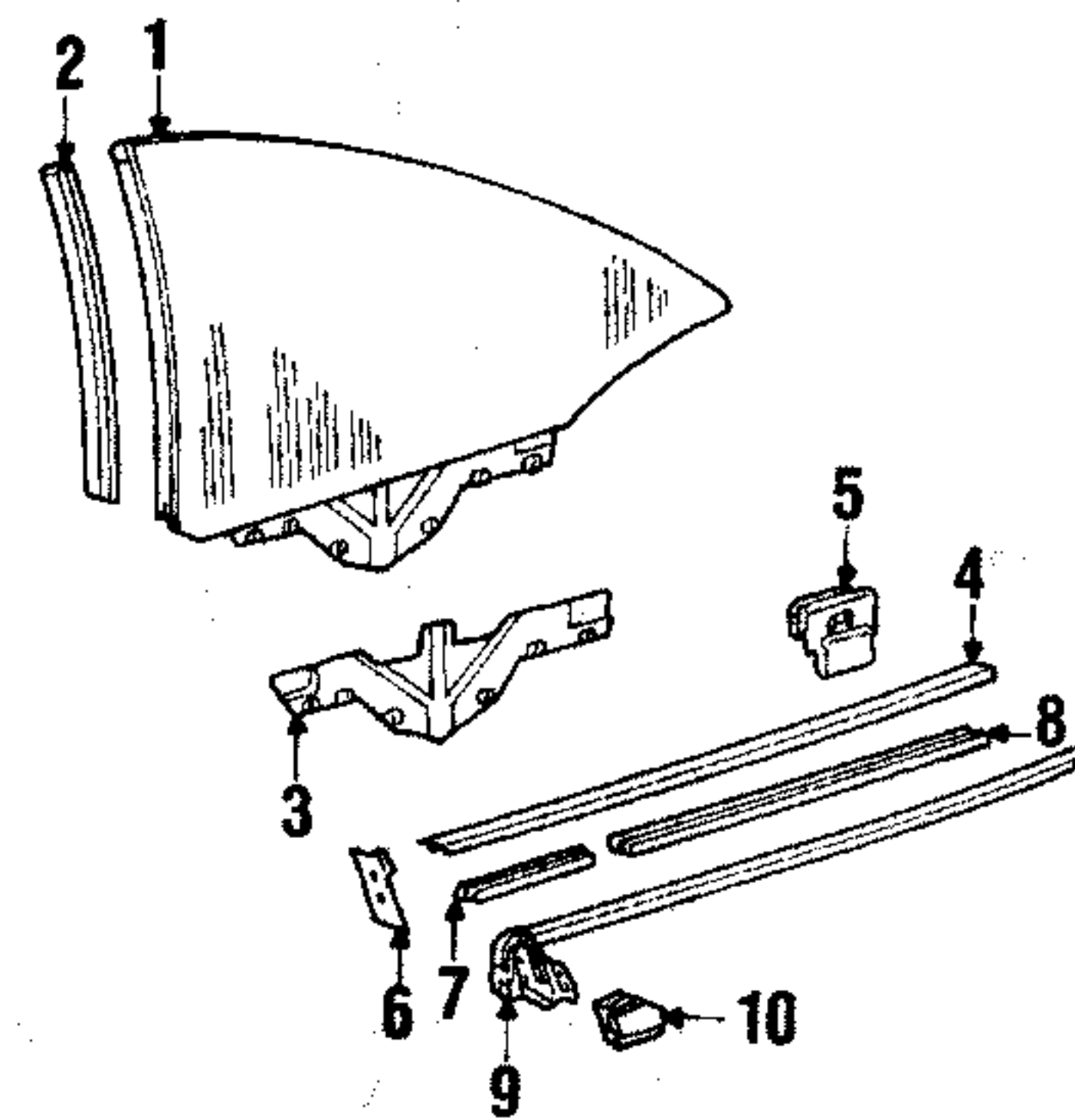


5769407

EXTERIOR TRIM

1 Body side mldg				
alto gray	(p.4) 98-01R	59.00	#	0.3 208 690 04 627700
	(p.4) 98-01L	54.00	#	0.3 208 690 03 627700
sodalite blue	(p.4) 98-01R	59.00	#	0.3 208 690 04 625205
	(p.4) 98-01L	54.00	#	0.3 208 690 03 625205
corundum red	(p.4) 98-01R	59.00	#	0.3 208 690 04 623549
	(p.4) 98-01L	54.00	#	0.3 208 690 03 623549
2 fastener	98-01B	.50		001 988 76 81
3 Lower molding	98-99L	28.50	0.2=	208 690 10 62
	98-99L	28.50	0.2=	208 690 09 62
4 clip	98-99B	.50		001 988 76 81

PARTS: Order by color. LABOR: Refinish time is provided for those instances when required color is not available or for some repair situations.

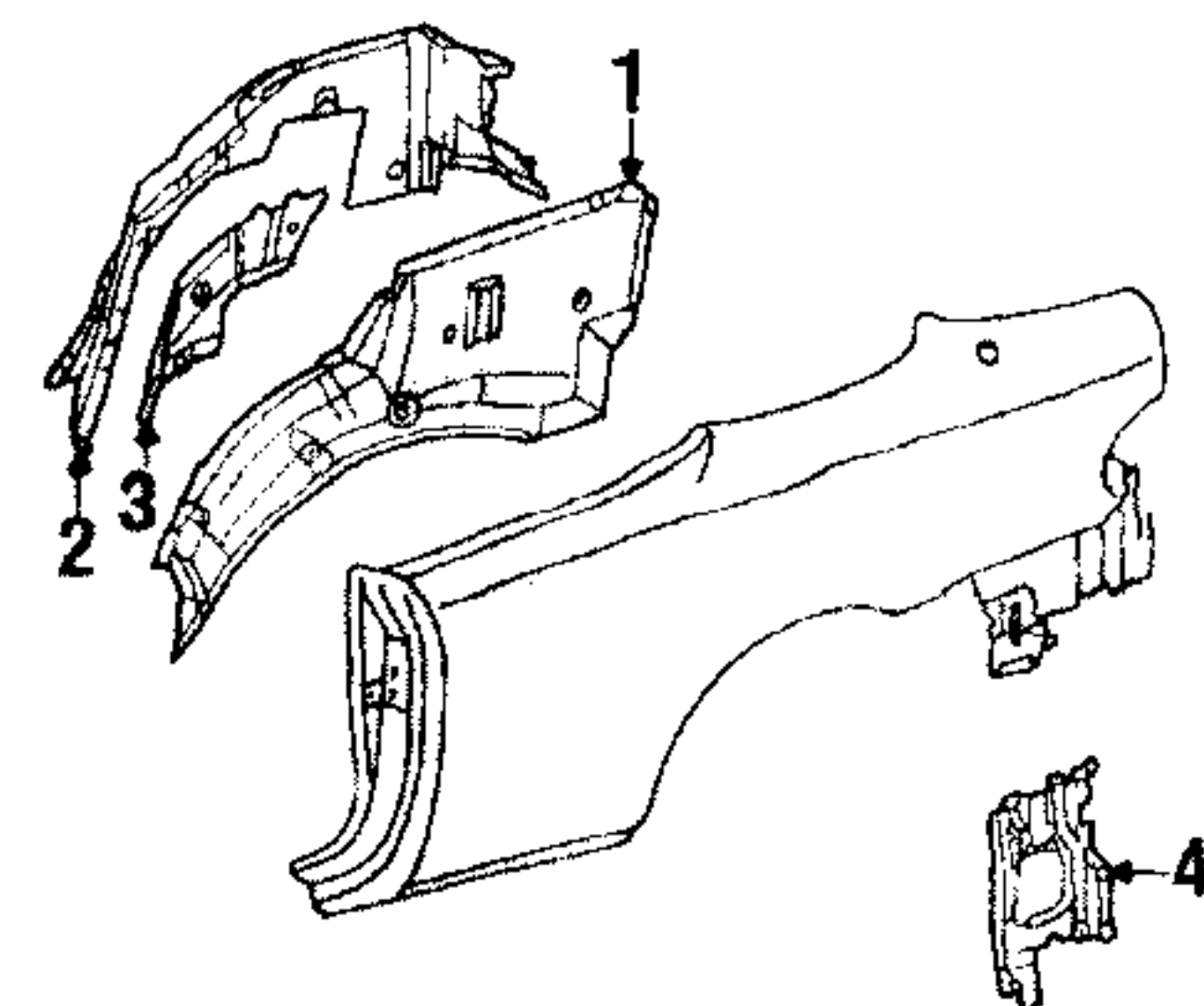


5769412

GLASS

1 Quarter glass				
Mercedes				
green tint	99-01R	92.00	3.0	208 670 02 10
	99-01L	92.00	3.0	208 670 01 10
blue tint	00-01R	144.00	3.0	208 670 04 10
	00-01L	144.00	3.0	208 670 03 10
NAGS				
green tint	99-01R	#	3.0	FQ20956
	99-01L	#	3.0	FQ20957
2 Sealing strip	99-01R	33.50	0.3	208 670 02 39
	99-01B	30.50	0.3	208 670 01 39
3 Mount bracket	99-01B	22.00		208 670 00 42
4 Window molding	99-01R	100.00	0.4	208 670 10 22
	99-01L	100.00	0.4	208 670 09 22
5 clip	99-01	2.70		208 698 01 60
6 Trim cover	99-01R	12.00	0.2	208 673 10 38
	99-01L	12.00	0.2	208 673 09 38
Inner seal				
7 front	99-01B	38.50	0.1	208 673 01 26
8 rear	99-01B	20.00	0.1	208 673 03 26
9 outer	99-01R	70.00	0.3	208 670 06 38
	99-01L	66.00	0.3	208 670 05 38
10 end cap	99-01R	5.50		208 673 10 98
	99-01L	5.50		208 673 09 98

PARTS: NAGS lists part number but no pricing information.

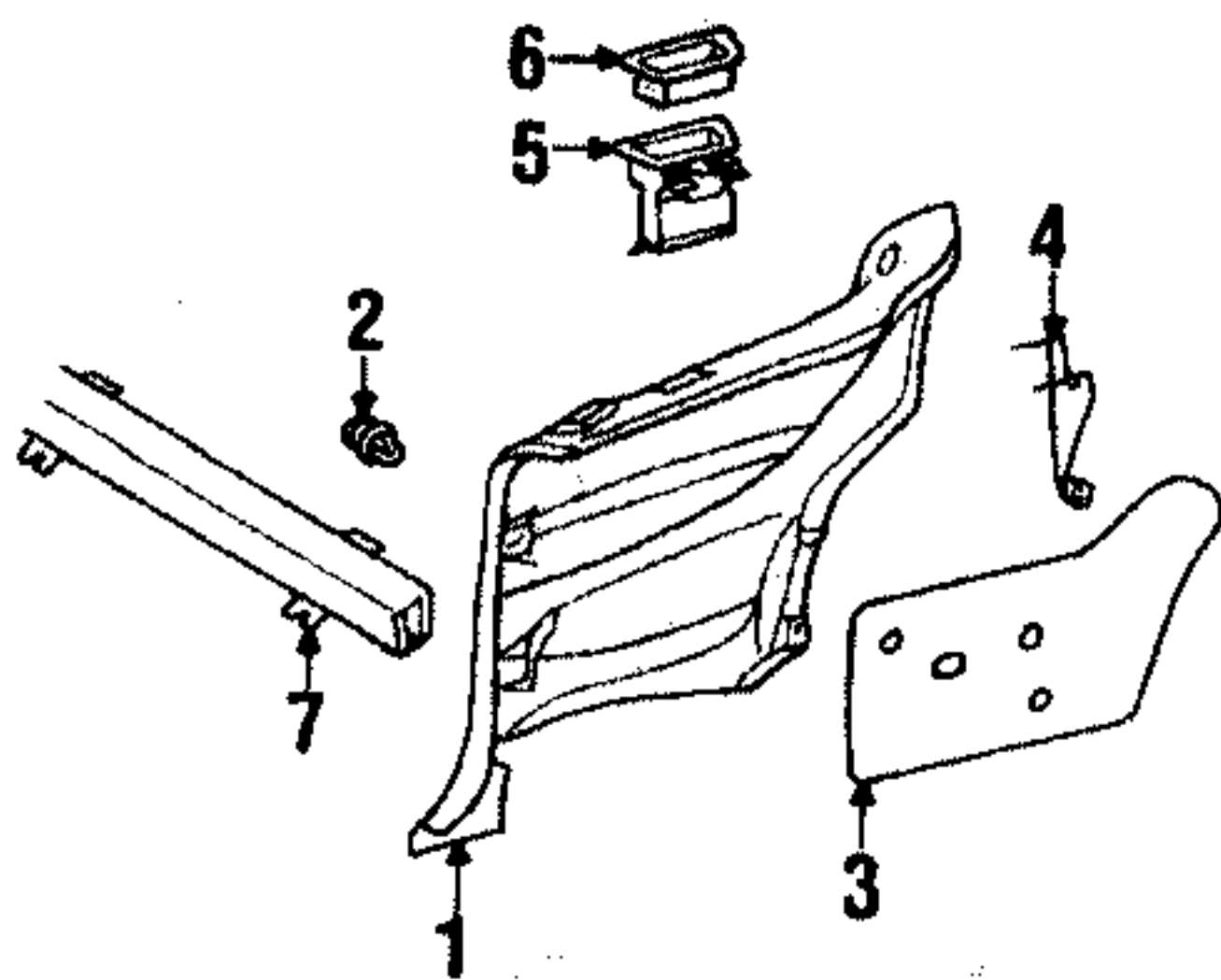


5769417

INNER STRUCTURE

1	Outer wheelhouse	99-01R	155.00#	3.0	208 630 04 69
		99-01L	67.00#	3.0	208 630 03 69
2	Inner wheelhouse	99-01R	56.00#	6.5	208 630 02 69
		99-01L	56.00#	6.5	208 630 01 69
3	Connector	99-01R	16.50#	1.5	202 636 02 22
		99-01L	16.50#	1.5	202 636 01 22
4	Inner pillar	99-01R	39.50#	2.0	208 630 14 11
		99-01L	39.50#	2.0	208 630 13 11

LABOR: After outer panel is removed.
 † **LABOR:** Time is for inner and outer wheelhouse. After outer panel is removed.



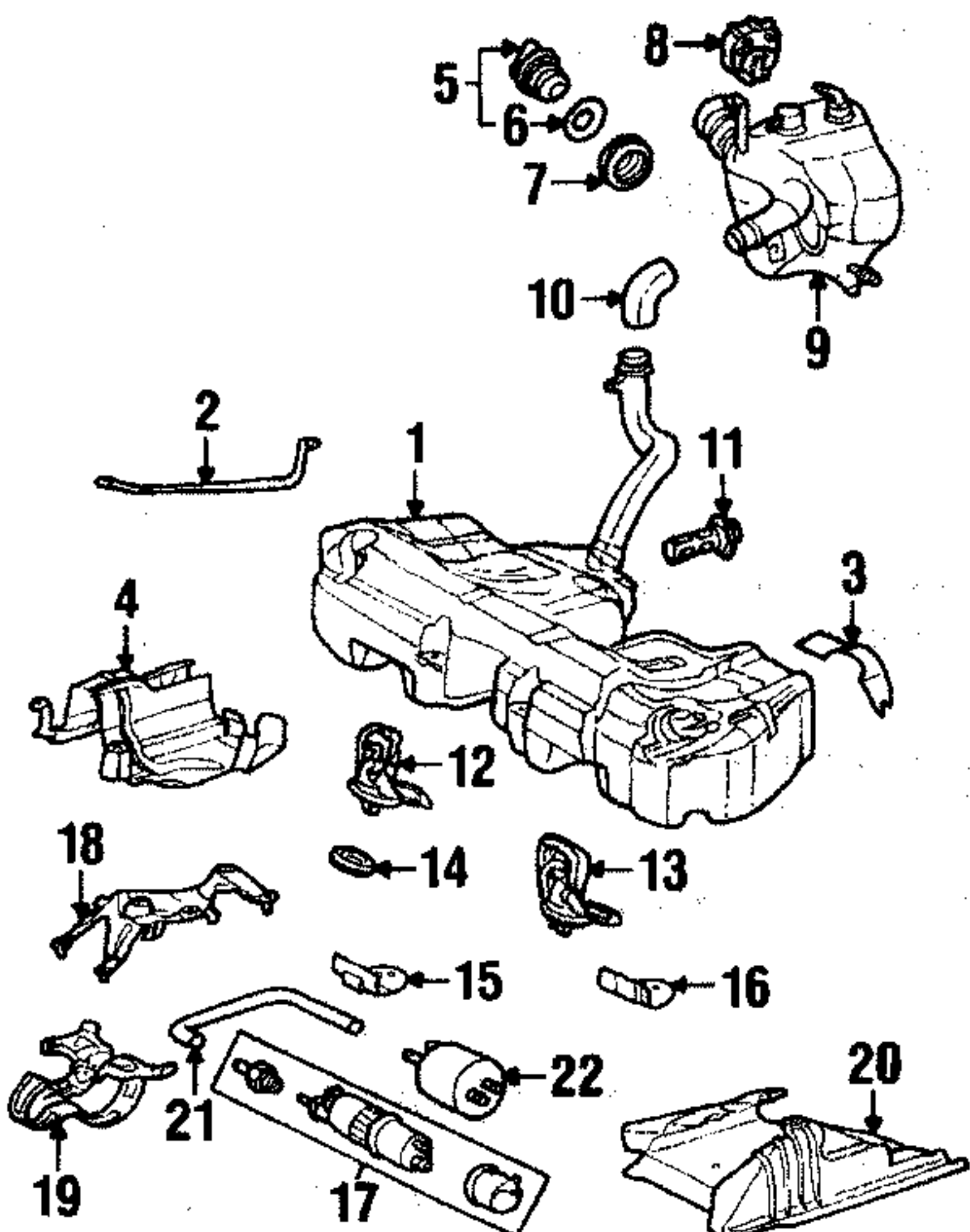
5769422

INTERIOR TRIM

1	Lower trim panel				
	anthracite	99-01R	#	0.9	208 690 26 259B70
		99-01L	#	0.9	208 690 25 259B70
	quartz	99-01R	#	0.9	208 690 26 258G73
		99-01L	#	0.9	208 690 25 258G73
	gray	99-01R	#	0.9	208 690 26 257D48
		99-01L	#	0.9	208 690 25 257D48
2	clip	99-01B	.40†		
3	Water shield	99-01R		0.1	208 720 10 54
		99-01L	20.50	0.1	208 720 09 54
4	Support brace	99-01R			208 690 04 38
		99-01L			208 690 03 38
5	Step	99-01R	45.50		208 690 02 09
		99-01L	45.50		208 690 01 09
6	Cover				
	anthracite	99-01R	8.00		208 690 10 309B51
		99-01L	8.00		208 690 09 309B51
	quartz	99-01R	8.00		208 690 10 308G69
		99-01L	8.00		208 690 09 308G69
	gray	99-01R	8.00		208 690 10 307D43
		99-01L	8.00		208 690 09 307D43
7	Center cover				
	anthracite	99-01	162.00		208 770 00 527D48
	quartz	99-01	162.00		208 770 00 528G73
	gray	99-01	162.00		208 770 00 527D48

PARTS: Order by color and description.
 † **PARTS:** Part is included with lower quarter trim.

FUEL SYSTEM



5769425

R&I OPERATIONS
R&I fuel tank..... 98-01 m 6.0

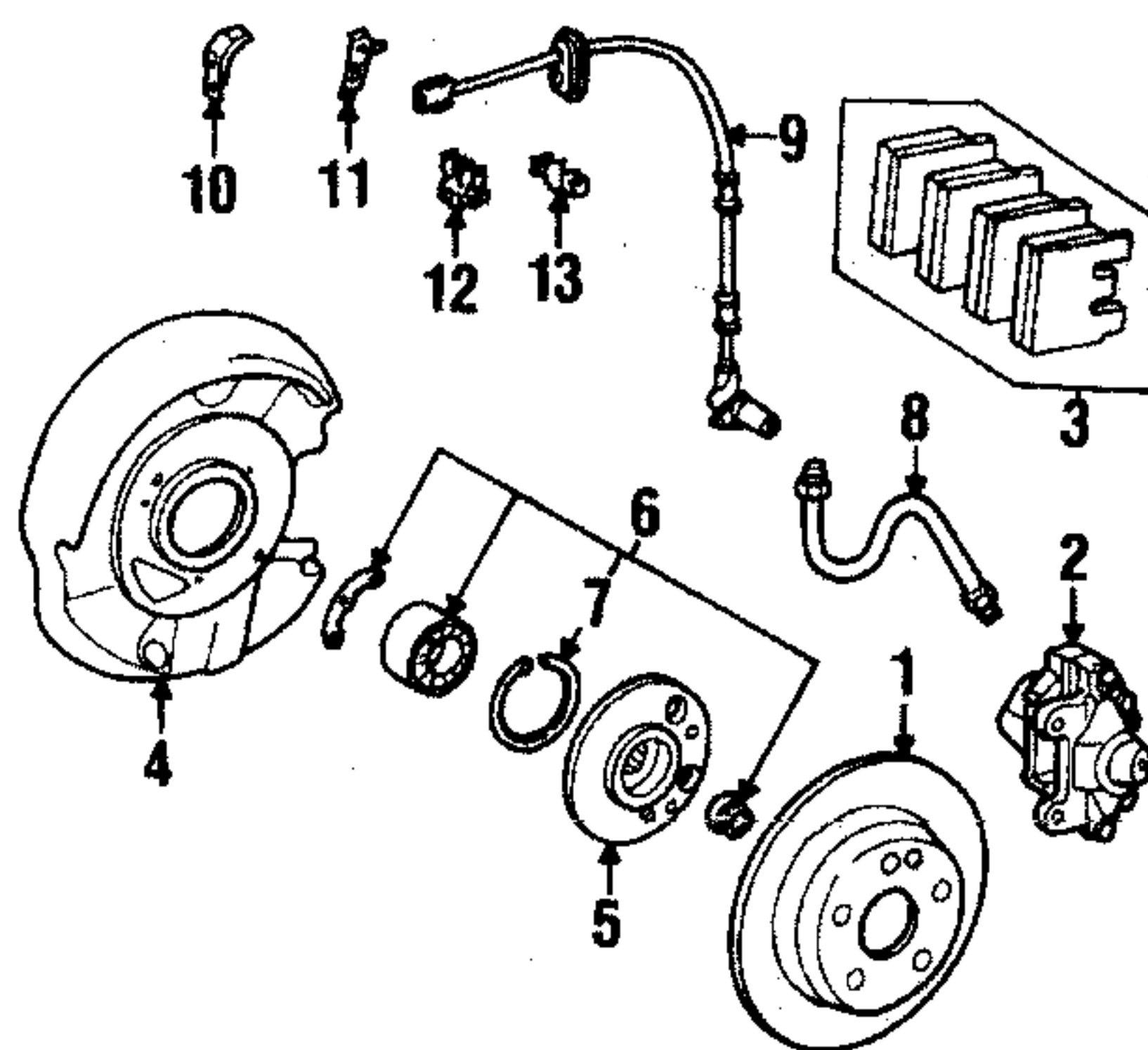
PARTS AND R&R OPERATIONS

FUEL SYSTEM COMPONENTS					
1	Fuel tank	98-99	730.00	m 6.5	202 470 80 01
		00-01	660.00	m 6.5	202 470 88 01
2	mount strap	98-99B	12.50		202 470 10 40
		00-01B	13.50		202 470 11 40
3	shim	98-01	3.00		202 471 01 95
4	Cover	98-01	27.00		202 471 07 87

5	Filler cap	98-01	15.00		140 470 03 05
6	seal	98-01	1.00#		115 471 00 79
7	Grommet				
	coupe	98-01	33.50	0.2	202 997 26 81
	convertible				
	3.2 liter	99-01	4.00	0.2	140 997 39 81
	4.3 & 5.5 liter	00-01	33.50	0.2	202 997 26 81
8	Fuel pocket				
	3.2 liter	98-01	5.25	0.3	116 470 01 29
9	Expansion tank				
	coupe	98-01	97.00	0.3	208 470 06 89
	convertible				
	3.2 liter	99-01	150.00	0.3	208 470 04 89
	4.3 & 5.5 liter	00-01	97.00	0.3	208 470 06 89
10	Connector hose				
	coupe	98-01	11.00		202 476 73 26
	convertible				
	3.2 liter	99-01	83.00		208 476 28 26
	4.3 & 5.5 liter	00-01	11.00		202 476 73 26
11	Fuel strainer	98-01	16.50		202 470 03 06
12	Sensor	98-99R	157.00		202 470 23 41
		98-99L	92.00		202 470 24 41
13		00-01R	154.00		202 470 30 41
		00-01L	91.00		202 470 26 41
14	flange	98-01B	10.50		202 471 04 21
15	cover	98-01R	4.20		202 471 01 87
		98-01L	4.20		202 471 02 87
17	Fuel pump Assy				
	3.2 liter	98-01	195.00	m 0.9	000 470 63 94
	4.3 & 5.5 liter	99-01	300.00	m 0.9	000 470 78 94
18	upper bracket	98-01	12.00		202 478 06 40
19	lower bracket				
	3.2 liter	98-01	11.00		202 471 13 41
	4.3 & 5.5 liter	99-01	6.25		210 471 05 41
20	protector	98-01	17.00	0.3	208 478 00 37
21	Hose				
	3.2 liter	98-01	7.75		208 476 15 26
	4.3 & 5.5 liter	99-01	8.25		208 476 21 26
22	Fuel filter	98-01	48.00	m 0.5	002 477 31 01

PARTS: Part is included with filler cap.

REAR SUSPENSION



5769430

ADD IF REQUIRED

Wheel alignment			
align rear wheels	98-01	m 1.2	
align four wheels	98-01	m 2.5	
Bleed brake system	98-01	m 0.5	

OVERHAUL OPERATIONS

O/H suspension			
one side	98-01	m 4.5	
both sides	98-01	m 8.8	

R&I OPERATIONS

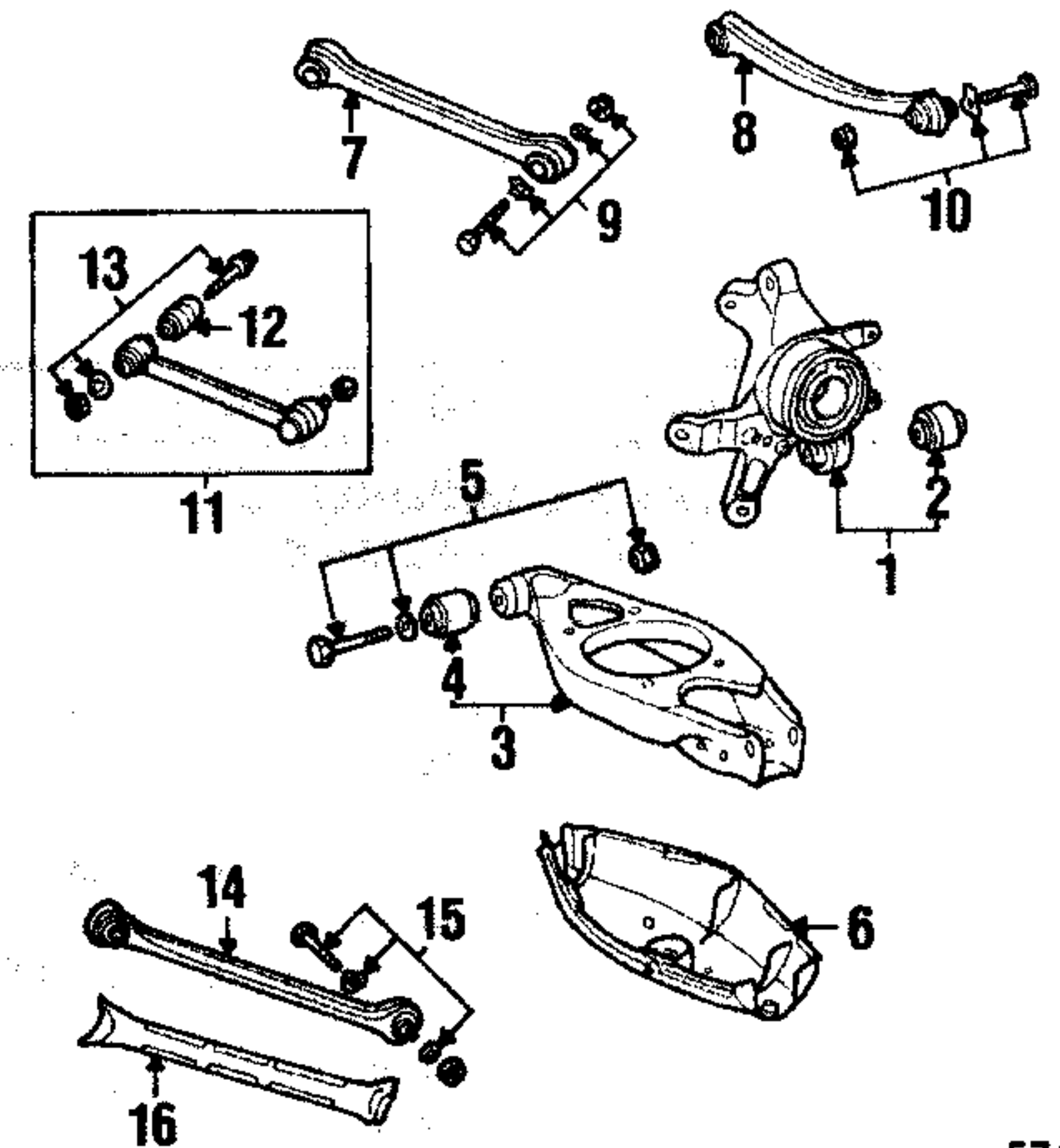
R&I suspension			
one side	98-01	m 3.5	
both sides	98-01	m 6.8	

PARTS AND R&R OPERATIONS

BRAKE COMPONENTS					
1	Brake rotor				
	w/o CLK55 AMG	98-01B	60.00	m 1.0	210 423 06 12
	w/CLK55 AMG	01 B	66.00	m 1.0	210 423 08 12
2	Calliper				
	w/o CLK55 AMG	98-01R	252.00	m 0.7	003 423 97 98
		98-01L	226.00	m 0.7	003 423 96 98
	w/CLK55 AMG	01 R	330.00	m 0.7	001 420 38 83
		01 L	330.00	m 0.7	001 420 37 83
3	Brake pads				
	w/o CLK55 AMG	98-01	43.50		002 420 52 20
	w/CLK55 AMG	01	94.00		002 420 05 20
4	Backing plate	98-01R	38.50†	m 0.3	210 420 15 44
		98-01L	38.50†	m 0.3	210 420 14 44
5	Hub				
	w/o CLK55 AMG	98-01B	80.00	m 3.3	201 357 17 08
	w/CLK55 AMG	01 B	108.00	m 3.3	129 357 09 08
6	Bearing Assy	98-01B	117.00	m 3.3	202 980 01 16

7	snap ring	98-01B	2.20#		201 994 16 41
8	Brake hose	98-01B	32.00	m 0.6	210 428 00 35
9	ABS sensor				
	w/o ESP	98-99R	55.00	m 0.9	202 540 28 17
		98-99R	55.00	m 0.9	202 540 27 17
	w/ESP	98-01R	47.50	m 0.9	202 540 13 17
		98-01R	47.50	m 0.9	202 540 12 17
	bracket				
10	#1	98-01B	1.40		210 546 04 43
11	#2, w/ESP only	98-01B	1.00		202 546 30 43
12	#3	98-01B	.50		202 546 32 43
13	#4	98-01B	1.40		202 546 35 43

PARTS: Part is included in bearing assembly.
 † **LABOR:** After brake disc and hub are removed.

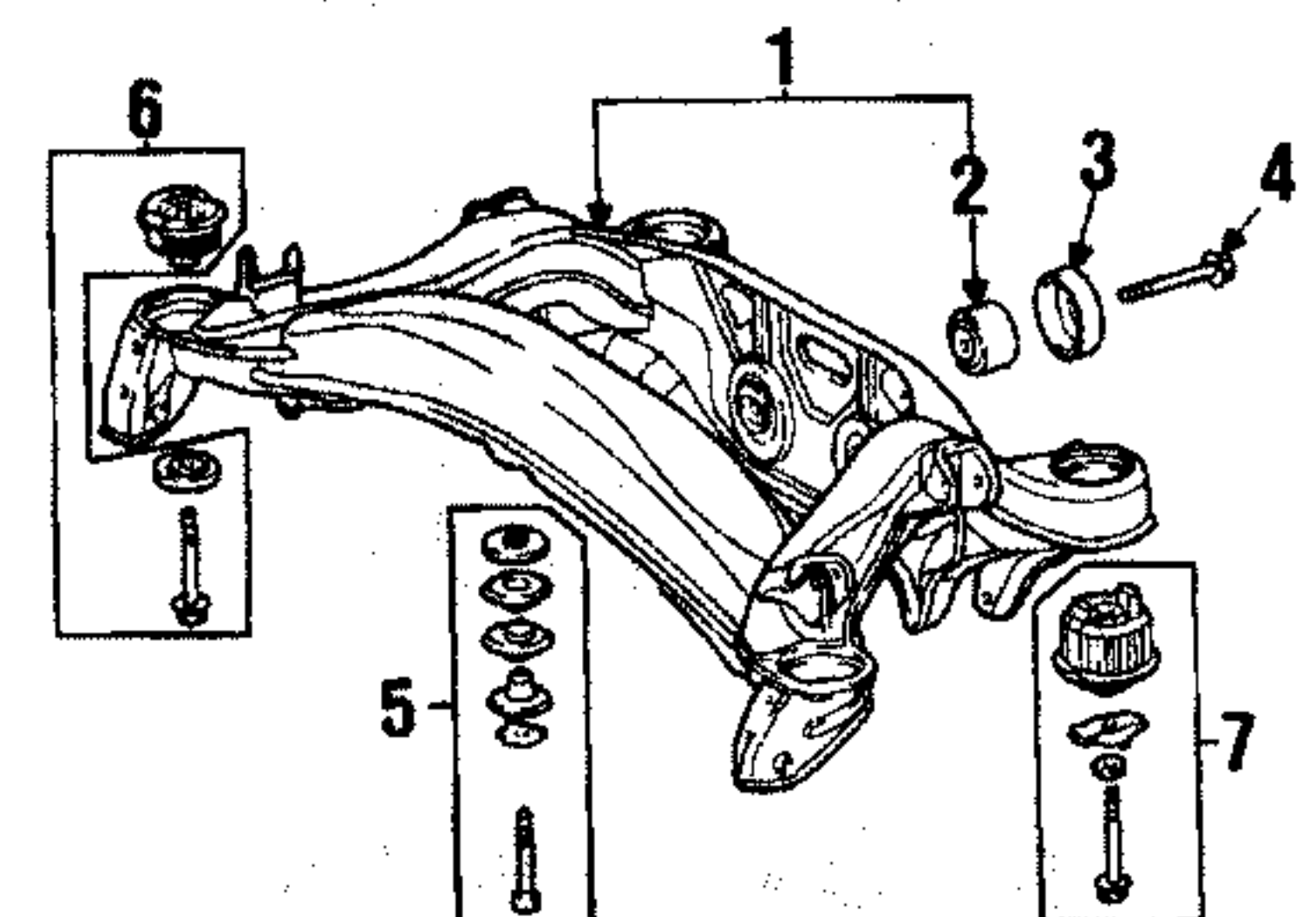


5769435

SUSPENSION COMPONENTS

1	Knuckle	98-01R	595.00	m 4.0	202 350 95 08
		98-01L	595.00	m 4.0	202 350 94 08
2	bushing	98-01B	42.00#		201 352 00 27
3	Control arm	98-01B	69.00	m 2.0	202 350 02 06
4	bushing	98-01B	8.75†		202 352 01 65
5	bolt Assy	98-01B	7.50		202 350 01 06
6	Lower cover	98-01B	7.75		203 352 00 88
7	Strut bar				
	front	98-01B	27.00	m 0.6	210 350 33 06
	rear	98-01B	57.00	m 0.6	210 350 34 06
	repair kit				
	front	98-01B	5.50		210 350 45 06
	rear	98-01B	5.50		210 350 45 06
10	Tie rod Assy	98-01B	65.00	m 0.5	210 350 21 53
11	bushing	98-01B	32.00†		201 352 88 65
12	repair kit	98-01B	11.50†		140 350 11 70
14	Thrust arm	98-01B	42.00	m 0.5	210 350 38 06
15	repair kit	98-01B	5.50		210 350 45 06
16	cover	98-01B	2.00		201 352 09 88

PARTS: Part is included with knuckle.
 † **PARTS:** Part is included with control arm.
 † **PARTS:** Part is included in tie rod assembly.



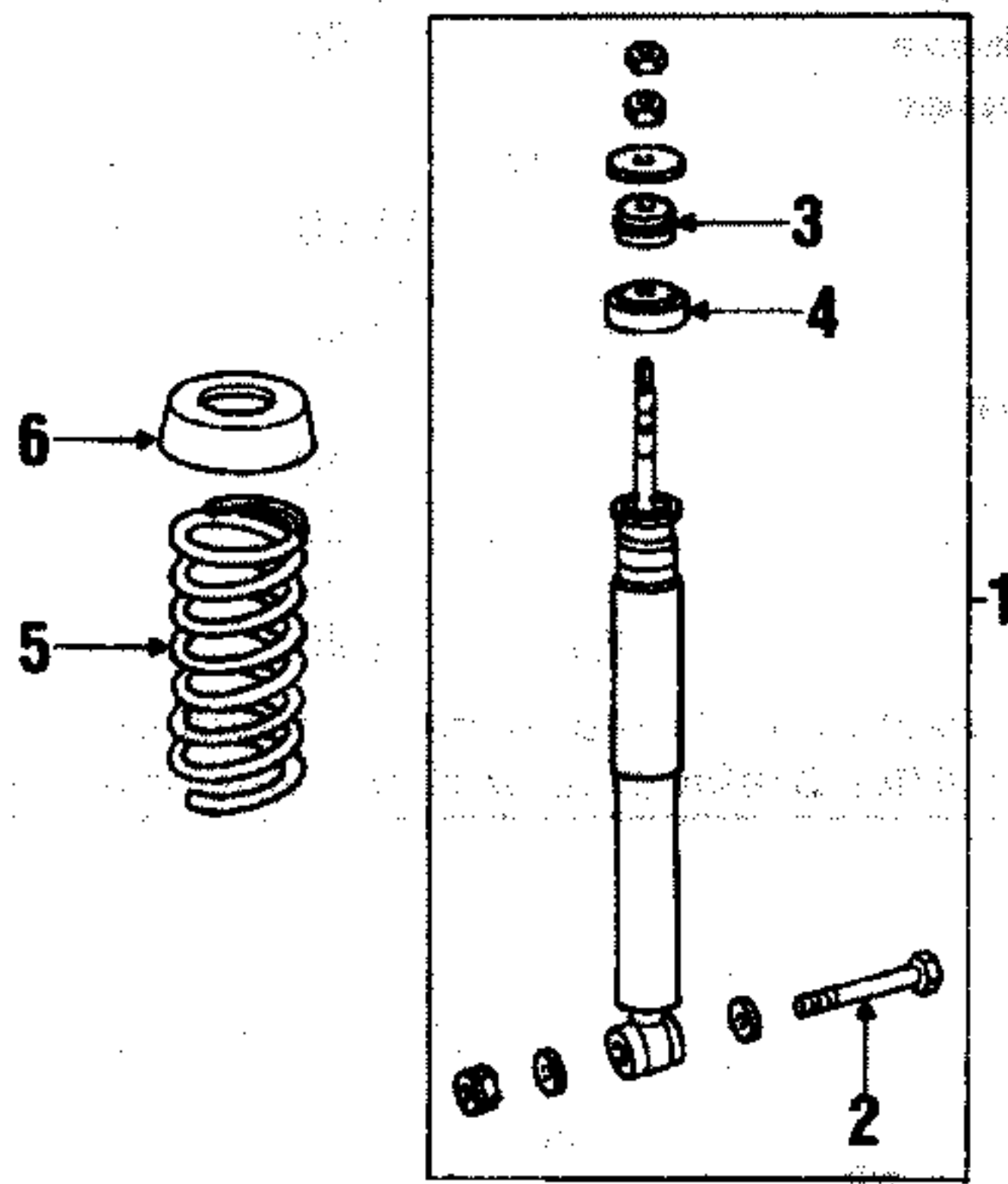
5769440

SUSPENSION MOUNTING

1	Subframe	98	680.00	s 7.5	202 350 67 08
	w/o CLK55 AMG	99-01	780.00	s 7.5	202 350 92 08
	w/CLK55 AMG	01	920.00	s 7.5	208 350 06 08
2	rubber mount				
	w/o CLK55 AMG	98-01	33.50†		202 351 11 42
	w/CLK55 AMG	01	25.50†		129 351 19 42
3	stop	98-01	10.50		202 352 03 46
4	bolt	98-01	2.50		202 990 11 04
	Repair kit				
	to axle housing				
5	front	98-01	33.50		208 350 00 08
	to floor				
6	front	98-01	95.00		124 350 64 08
7	rear	98-01	67.00		202 350 34 08

PARTS: Part is included with subframe.

CONTINUED



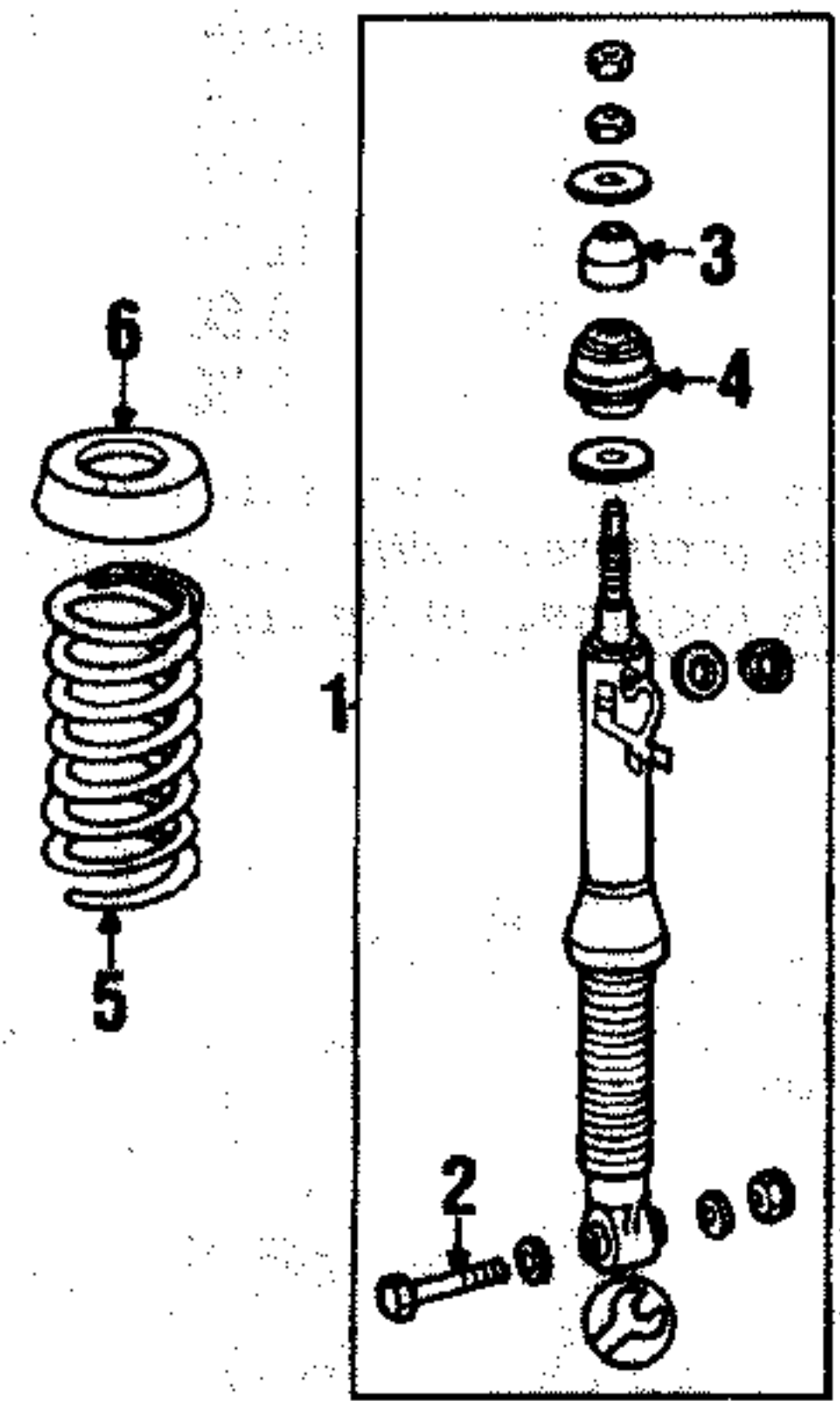
5769445

REAR SUSPENSION (CONT)

SHOCKS & COMPONENTS W/O SELF LEVELING

1 Shock absorber			
coupe, 3.2 liter			
w/o Sport suspensio.	98-01B	170.00	m 1.0 208 320 02 31
w/Sport suspension	98-01B	144.00	m 1.0 208 320 01 31
coupe, 4.3 liter			
w/o Sport suspensio.	99-01B	149.00	m 1.0 208 320 00 31
w/Sport suspension	99-01B	144.00	m 1.0 208 320 01 31
coupe, 5.5 liter			
convertible			
w/o Sport suspensio.	99-01B	172.00	m 1.0 208 320 03 31
w/Sport suspension	99-01B	129.00	m 1.0 208 320 04 31
2 mount bolt 98-01B 1.20† 304 014 01 0051			
bumper			
upper	98-01B	1.20†	202 326 01 68
lower	98-01B	1.50†	202 326 04 68
5 Spring			
w/o Sport suspension.	98-01B	52.00#	m 1.0 202 324 17 04
w/Sport suspension	98-01B	52.00#	m 1.0 208 324 00 04
5 Spring seat			
#1, 5mm	98-01B	3.50#	210 325 01 84
#2, 9mm	98-01B	4.20#	210 325 02 84
#3, 13mm	98-01B	4.70#	210 325 03 84
#4, 17mm	98-01B	5.75#	210 325 04 84

PARTS: Order by description.
† PARTS: Part is included with shock absorber.

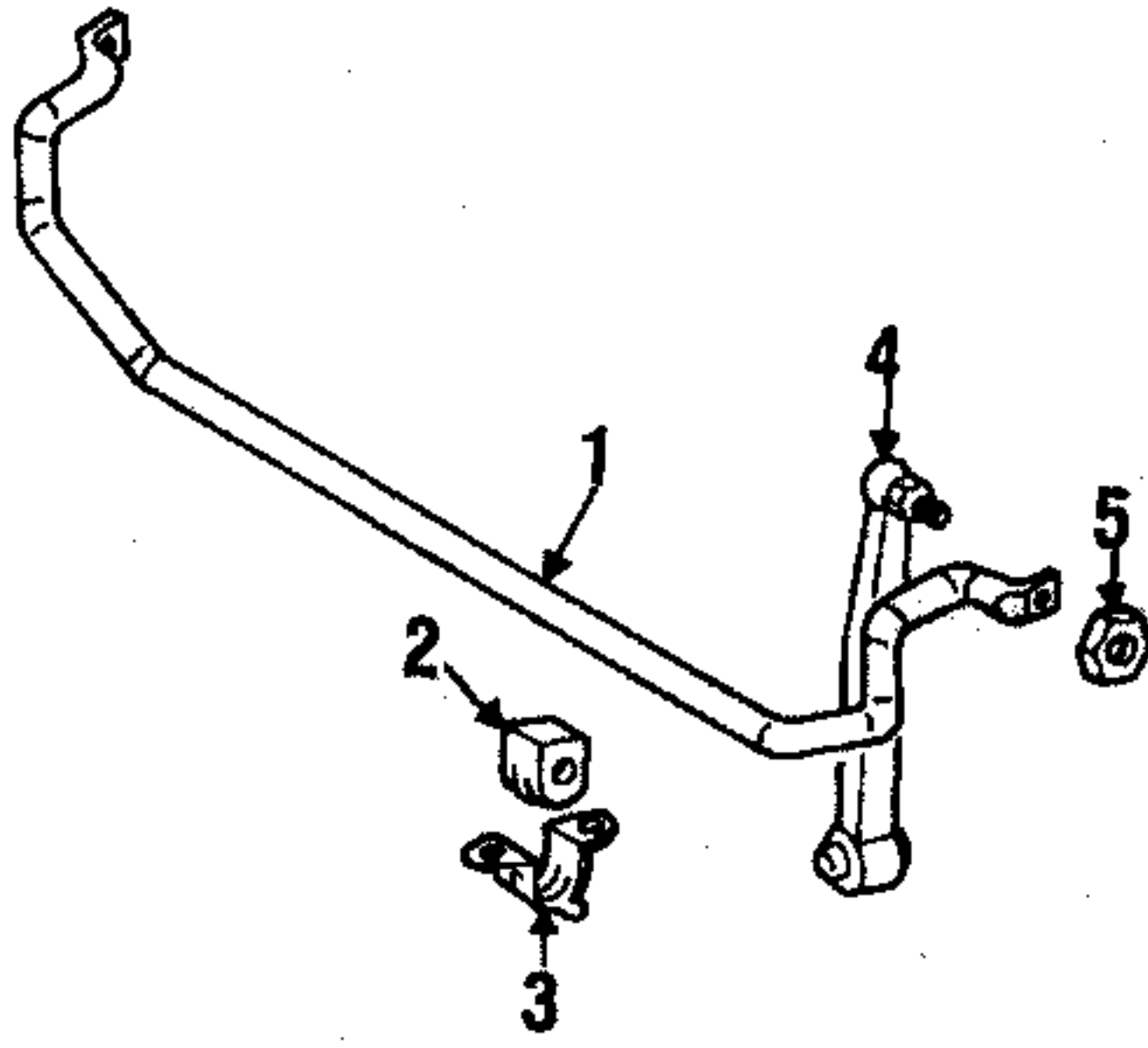


5769447

SHOCKS & COMPONENTS W/SELF LEVELING

1 Shock absorber 98-01B 580.00 m 1.0 208 320 01 13			
2 mount bolt 98-01B † 304 014 01 0051			
bumper			
upper	98-01B	1.70†	201 326 18 68
lower	98-01B	11.00†	202 328 01 39
5 Spring 98-01B 48.00 m 1.0 202 324 31 04			
6 Spring seat			
#1, 5mm	98-01B	3.50	210 325 01 84
#2, 9mm	98-01B	4.20	210 325 02 84
#3, 13mm	98-01B	4.70	210 325 03 84
#4, 17mm	98-01B	5.75	210 325 04 84

† PARTS: Part is included with shock absorber.

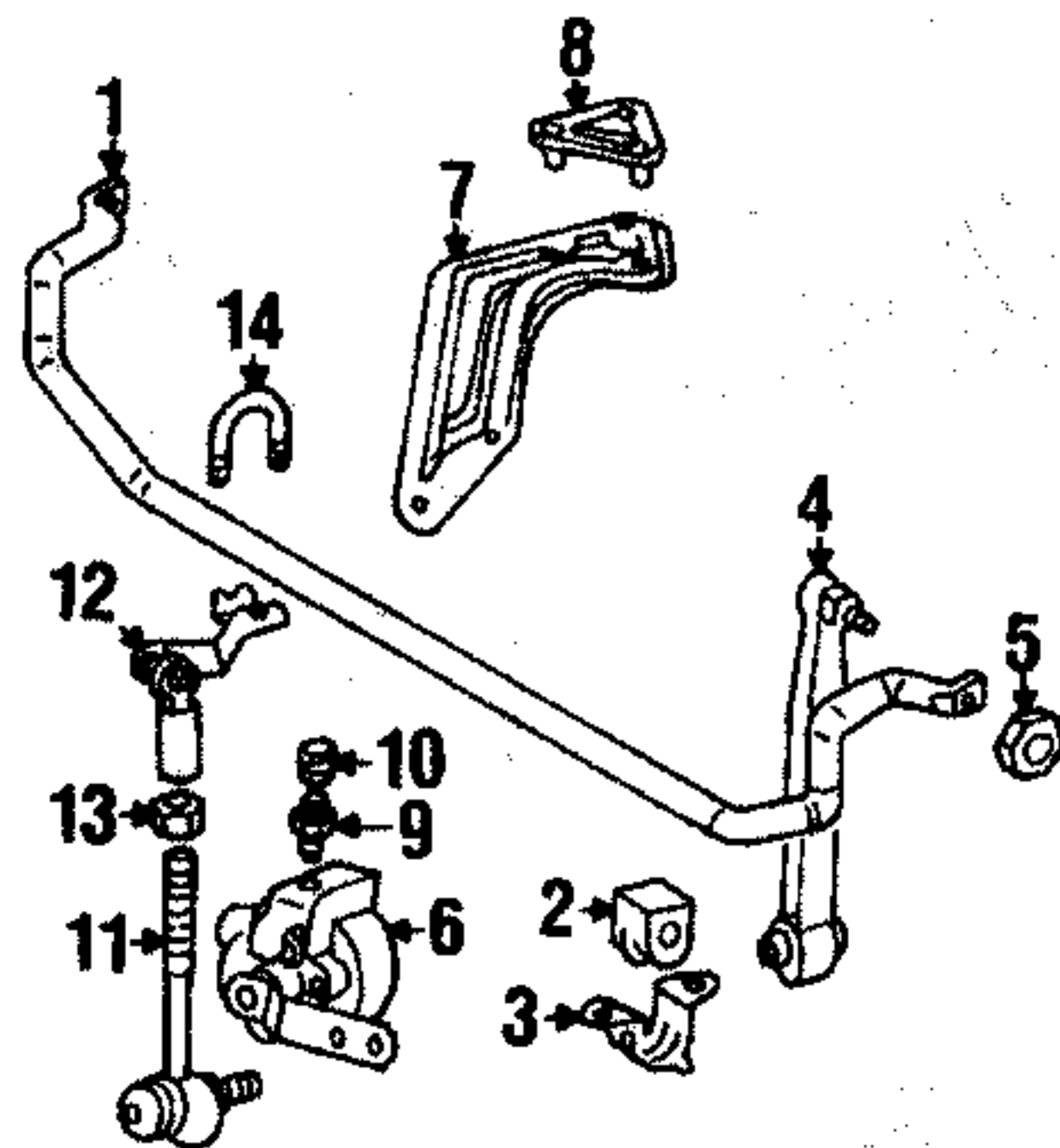


5769455

STABILIZER BAR & COMPONENTS W/O SELF LEVELING

1 Stabilizer bar			
3.2 liter, coupe			
w/o Sport suspensio.	98-01	60.00#	m 0.5 202 326 09 65
w/Sport suspension	98-01	69.00#	m 0.5 202 326 10 65
3.2 liter, convertible			
w/o Sport suspensio.	99-01	65.00#	m 0.5 202 326 06 65
w/Sport suspension	99-01	69.00#	m 0.5 202 326 10 65
4.3 liter			
w/o Sport suspensio.	99-01	69.00#	m 0.5 202 326 10 65
w/Sport suspension	99-01	# m 0.5	208 326 00 65
5.5 liter			
	01	# m 0.5	203 326 11 65
2 bushing			
3.2 liter, coupe			
w/o Sport suspensio.	98-01B	4.20	201 326 14 81
w/Sport suspension	98-01B	2.70	124 326 01 81
3.2 liter, convertible			
w/o Sport suspensio.	99-01B	2.00	124 326 00 81
w/Sport suspension	99-01B	2.70	124 326 01 81
4.3 liter			
w/o Sport suspensio.	99-01B	2.70	124 326 01 81
w/Sport suspension	99-01B	6.25	201 326 15 81
5.5 liter			
	01 B	7.00	210 326 08 81
3 bracket 98-01R 1.40 202 326 02 26			
	98-01L	1.40	123 326 09 26
4 link 98-01B 10.50 124 320 02 89			
5 nut 98-01B .70 210 990 02 51			

LABOR: After suspension and subframe are removed.

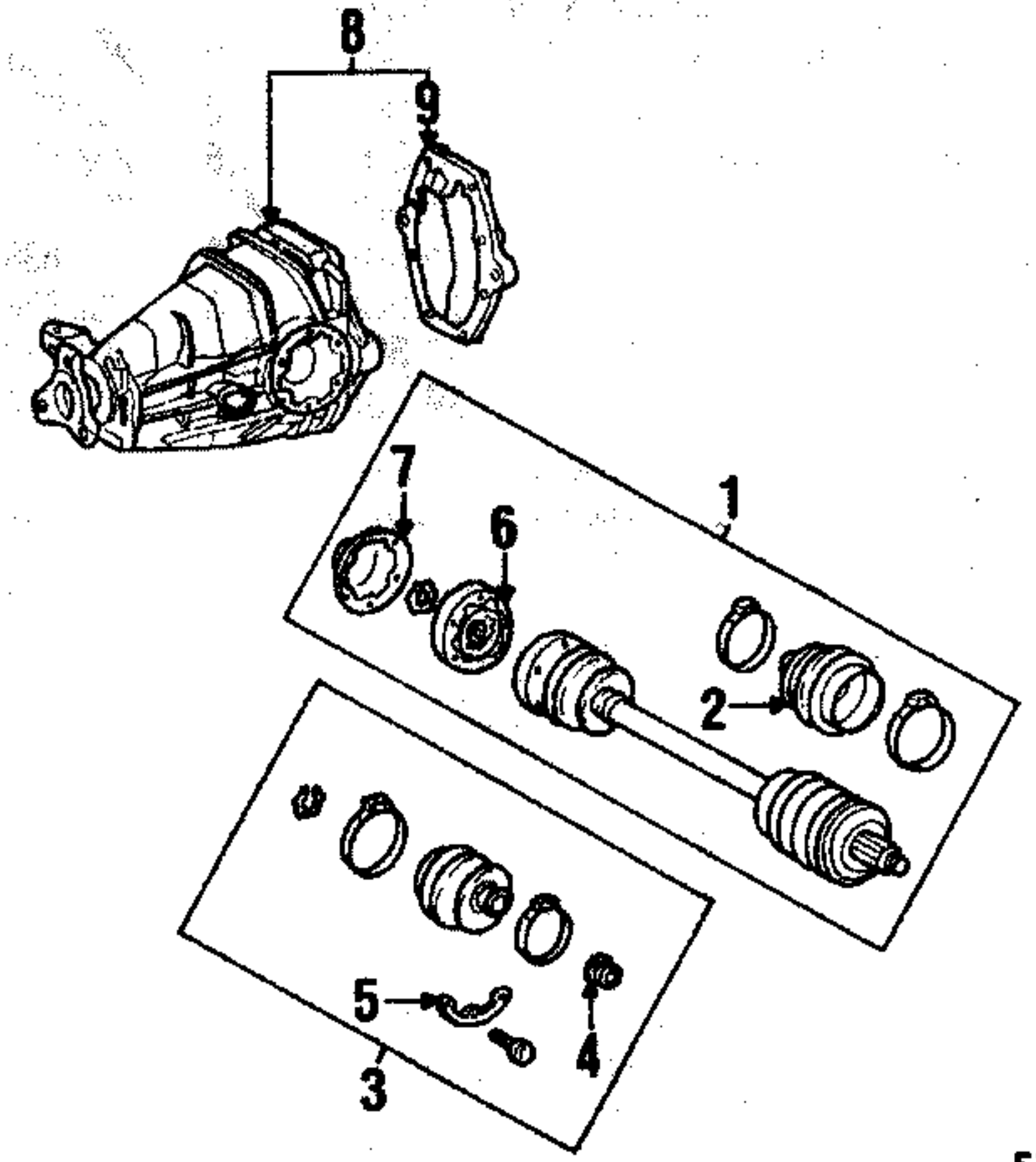


5769457

STABILIZER BAR & COMPONENTS W/SELF LEVELING

1 Stabilizer bar 98-01 60.00# m 0.5 202 326 09 65			
2 bushing 98-01B 4.20 201 326 14 81			
3 bracket 98-01R 1.40 202 326 02 26			
	98-01L	1.40	123 326 09 26
4 link 98-01B 10.50 124 320 02 89			
5 nut 98-01B .70 210 990 02 51			
6 Control valve 98-01 272.00 202 320 02 58			
7 bracket 98-01 11.00 202 328 07 40			
8 Plate 98-01 15.00 202 320 03 35			
9 Bleeder valve 98-01 9.25 123 328 00 65			
10 Protect cap 98-01 1.90 000 421 08 87			
11 Joint 98-01 14.00 202 320 02 28			
12 Joint retainer 98-01 38.50 202 320 01 32			
13 nut 98-01B .20 000 934 00 6007			
14 U-bolt 98-01B 202 328 02 26			

LABOR: After suspension and subframe are removed.



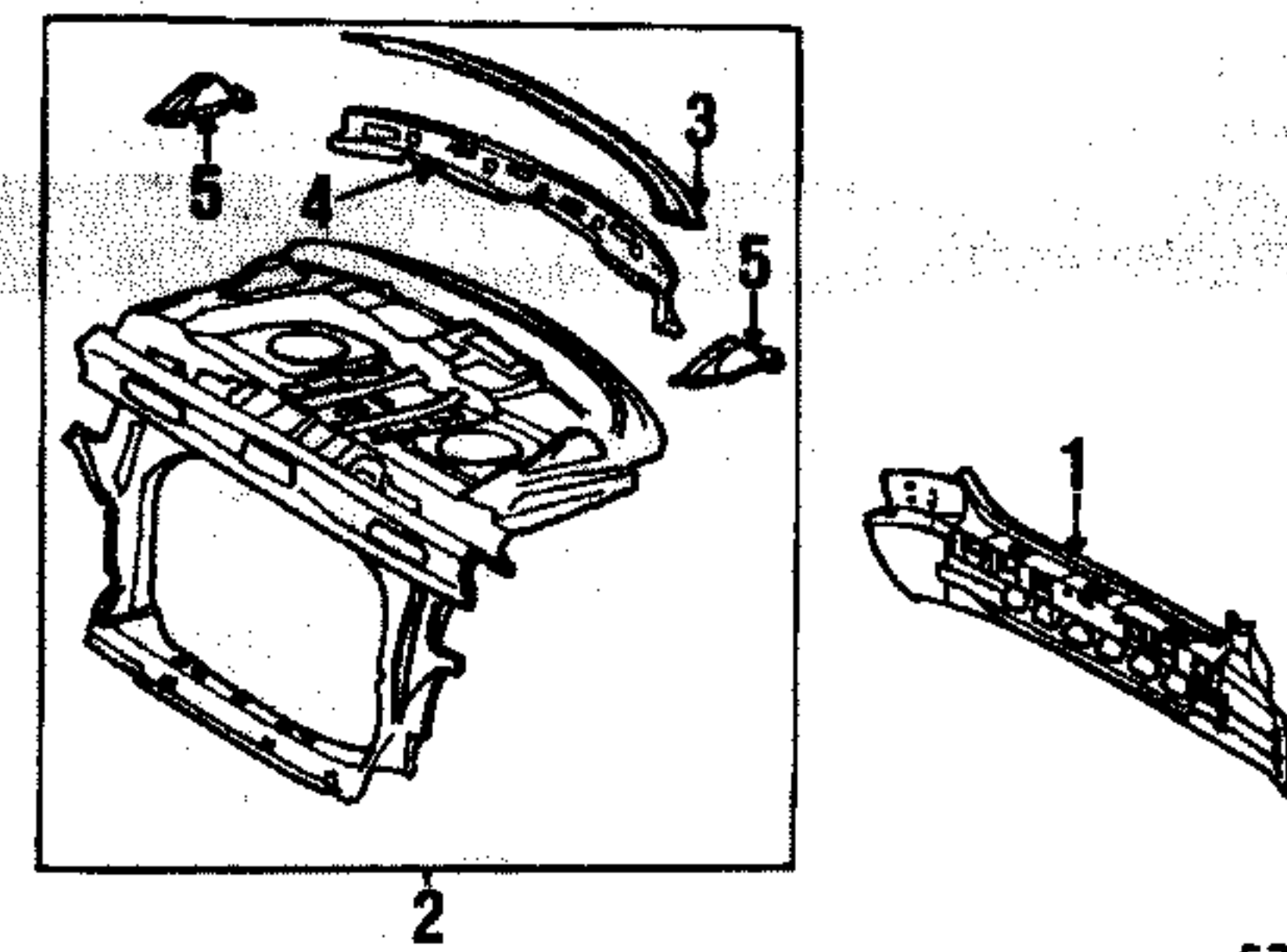
5769465

AXLE & DIFFERENTIAL

1 Axle shaft 98-01B 845.00 m 2.6 208 350 05 10			
Boot			
2 outer	98-01B	20.00†	m 0.5 210 357 00 91
3 inner	98-01B	49.50@	m 0.5 210 350 08 37
4 Axle nut 98-01B 4.00† 210 357 01 72			
5 Washer 98-01B 1.70† 124 357 01 75			
6 Inner joint 98-01B 172.00† m 0.6 140 350 08 13			
7 Lock cap 98-01B 4.80† 124 357 03 89			
8 Diffntal assy			
3.2 liter 98-01 2810.00 m 3.7 210 350 29 14			
4.3 liter 99-01 m 3.7 208 350 06 14			
5.5 liter 01 m 3.7 208 350 06 14			
9 Cover			
w/o CLK55 AMG	98-01	95.00#	220 350 01 36
w/CLK55 AMG	01	159.00#	210 351 29 08

PARTS: Part is included in differential assembly.
† PARTS: Part is included with axle shaft. LABOR: After axle is removed.
‡ PARTS: Part is included with axle shaft.
† PARTS: Part is included with inner boot.
@ LABOR: After axle shaft is removed.

REAR BODY COUPE



5769470

REFINISHING NOTES

Refn rear body panel
inside only 98-01 p.8

OVERLAP OPERATIONS

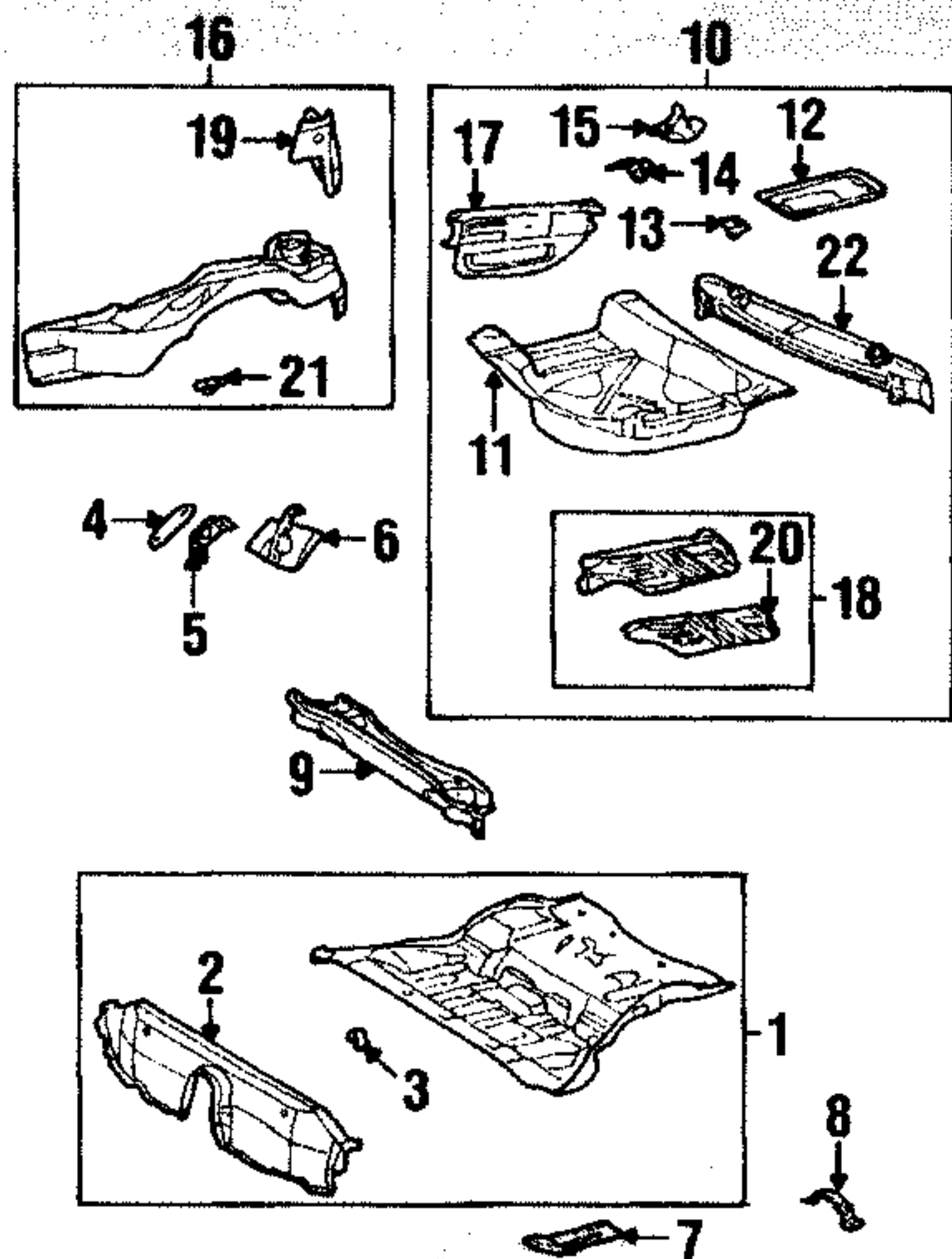
R&R rear body panel
with 1 qtr panel off
deduct 98-01 2.5
with 2 qtr panels off
deduct 98-01 5.0

PARTS AND R&R OPERATIONS

REAR BODY

1 Rear body panel (p1.5) 98-01 179.00† 8.0 208 640 00 71			
2 Package tray			
w/partition panel	98-01	332.00	208 640 01 60
3 Outer panel 98-01 12.00# 208 647 02 01			
4 Upper panel 98-01 18.50# 208 646 01 01			
5 Hinge support 98-01B 4.80# 210 646 00 26			

PARTS: Part is included with package tray/partition panel.
† LABOR: After bumper, tail lamps and all necessary bolted on parts are removed.



5769474

FLOOR & RAILS

1 Center floor pan	98-01	117.00	17.0	202 610 07 61
2 Front c'member	98-01	126.00#		202 610 05 20
Seat bracket				
3 type 1	98-01	2.90#		202 618 14 14
4 type 2	98-01	2.20		202 618 12 14
5 type 3	98-01	4.35		202 618 11 14
6 type 4	98-01R	6.00		202 611 02 14
	98-01L	6.00		202 611 01 14
7 Reinforcement	98-01	6.25		202 618 05 16
8 Clamp	98-01	5.50		202 619 00 30
9 Crossmember	98-01	189.00†	4.5	202 610 03 16
10 Rear floor pan (p1.2)	98-01	595.00†	16.0	208 610 00 61
11 Spare housing	98-01	150.00¶		202 610 02 75
12 Battery tray	98-01	25.00¶		202 610 00 73
13 stay	98-01	2.00¶		202 618 00 35
14 Tow hook brkt	98-01	12.50¶		202 618 00 32
15 Spare tire retnr	98-01	.70¶		124 618 33 31
Sidemember				
16 front	(p1.2) 98-01R	230.00<s	12.0	208 610 08 10
	(p1.2) 98-01L	240.00<s	12.0	208 610 07 10
17 rear	98-01R	59.00¶	3.0	202 610 04 10
	98-01L	175.00¶	4.0	208 610 05 10
19 Extension				
right side	98-01	30.00@	2.0	202 611 02 39
20 Floor side	98-01	38.50*	2.5	208 610 01 61
Mount plate				
21 rear axle	98-01B	4.80@		201 611 00 11
22 Rear crossmember	98-01	60.00¶	3.0	208 610 00 14

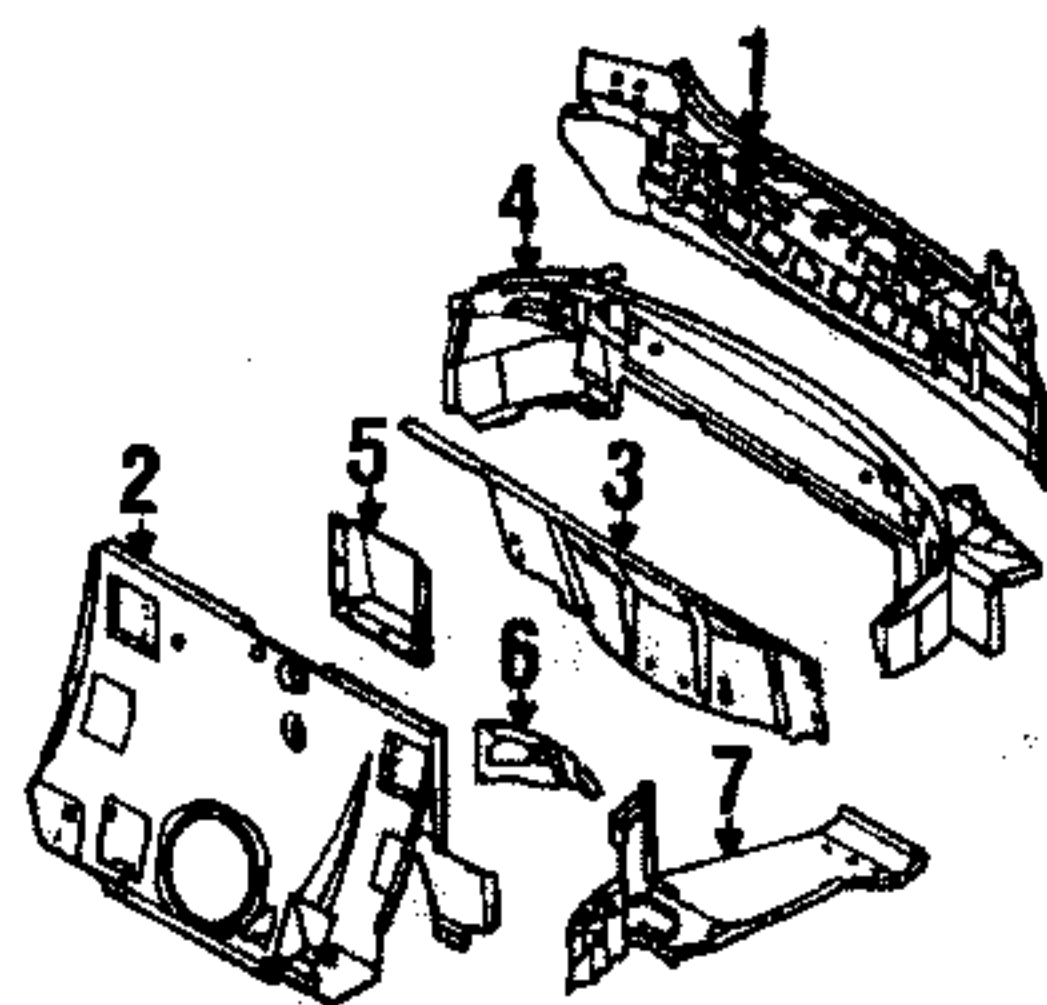
PARTS: Part is included with center floor pan.
 ¶ PARTS: Part is included with rear floor pan.
 † LABOR: After bumper and all necessary bolted on parts are removed.
 ‡ LABOR: Time includes R&R rear body panel.
 @ PARTS: Part is included with front sidemember.
 * PARTS: Part is included with left rear sidemember.
 < LABOR: After suspension and necessary bolted on parts are removed.

INTERIOR TRIM

Pkg tray trim				
w/o shade				
anthracite	98-01	284.00	1.8	208 690 01 499B70
quartz	98-01	284.00	1.8	208 690 01 498G73
gray	98-01	284.00	1.8	208 690 01 497D48
w/shade				
anthracite	98-01	304.00	1.8	208 690 03 499B70
quartz	98-01	304.00	1.8	208 690 03 498G73
gray	98-01	304.00	1.8	208 690 03 497D48
2 spring	98-01	1.20#		202 694 00 34
3 rivet	98-01			000 990 75 92
Insulation				
4 package tray	98-01	45.00		208 682 04 10
5 speaker	98-01B			208 682 01 10
Speaker grille				
anthracite	98-01B	22.00#		208 690 03 309B51
quartz	98-01B	22.00#		208 690 03 308G69
gray	98-01B	22.00#		208 690 03 307D43
Nameplate				
"Bose"	98-01B	4.35		210 817 08 20
8 Shade	98-01	785.00		208 810 00 20
9 clip	98-01	.50		009 988 07 78
10 Motor	98-01	240.00¶		210 820 62 42
11 First aid box	98-01	76.00		202 860 00 50
12 Tray	98-01	13.00		208 843 00 07
13 rivet	98-01			000 990 75 92
14 Trunk side trim	98-01R	84.00	0.5	208 693 02 91
	98-01L	74.00	0.5	208 693 05 91
15 rivet	98-01B	.50		126 990 01 92
17 spacer	98-01	1.00		202 684 00 49
18 Upper trim	98-01R	9.75		208 693 02 33
	98-01L	9.75		208 693 01 33
20 rivet	98-01B	.50		124 990 00 92
Floor cover				
21 front	98-01	25.00	0.2	202 693 11 33
22 rear	98-01	114.00	0.2	208 680 01 42
fastener				
23 front cover	98-01	.70		001 988 25 81
24 bracket				
rear cover	98-01	1.40		208 684 01 35
25 Rear panel trim	98-01	17.50	0.3	208 694 06 25
26 rivet	98-01	.40		124 990 07 92
27 Lock cover	98-01	4.00		208 694 00 01
28 Spare tire panel	98-01	17.00		202 898 01 07
29 Spare retainer	98-01	2.00		124 898 07 65

PARTS: Part is included with package tray trim.
 ¶ PARTS: Part is included with shade.

REAR BODY CONVERTIBLE

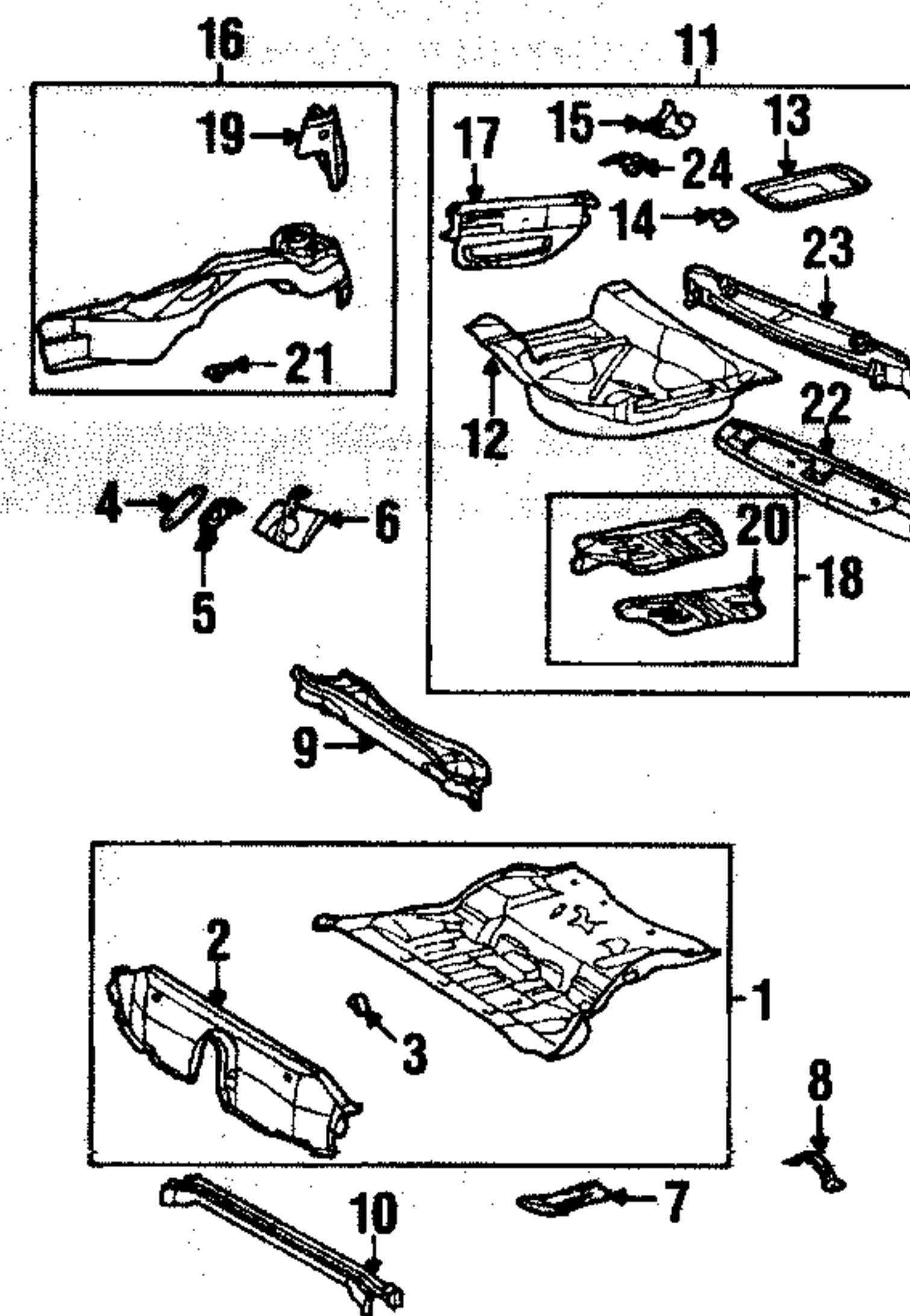


5769472

REAR BODY

1 Rear end panel	(p1.5) 99-01	179.00¶	8.0	208 640 00 71
Partition panel				
2 front	99-01	408.00	0.6	208 640 03 60
3 rear	99-01	234.00	0.4	208 640 05 60
Storage box				
folding top	99-01	585.00	1.5	208 640 02 53
5 Vent duct	99-01	18.00	0.3	208 646 00 62
6 Reinf plate	99-01R	22.00	1.5	208 640 08 31
	99-01L	22.00	1.5	208 640 07 31
7 Floor extn	99-01R	92.00	3.5	208 640 04 65
	99-01L	92.00	3.5	208 640 03 65

¶ LABOR: After bumper, tail lamps and all necessary bolted on parts are removed.

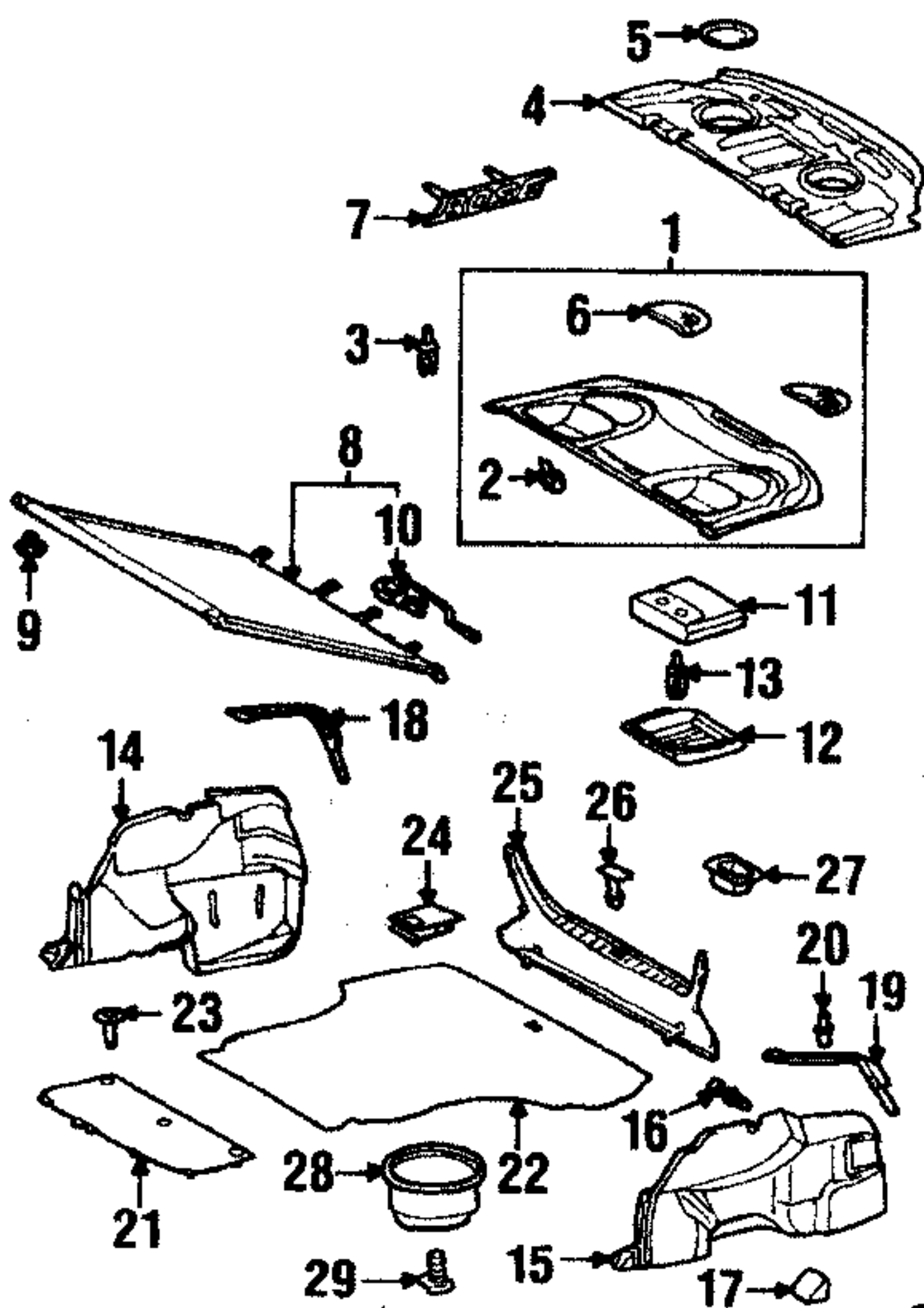


5769475

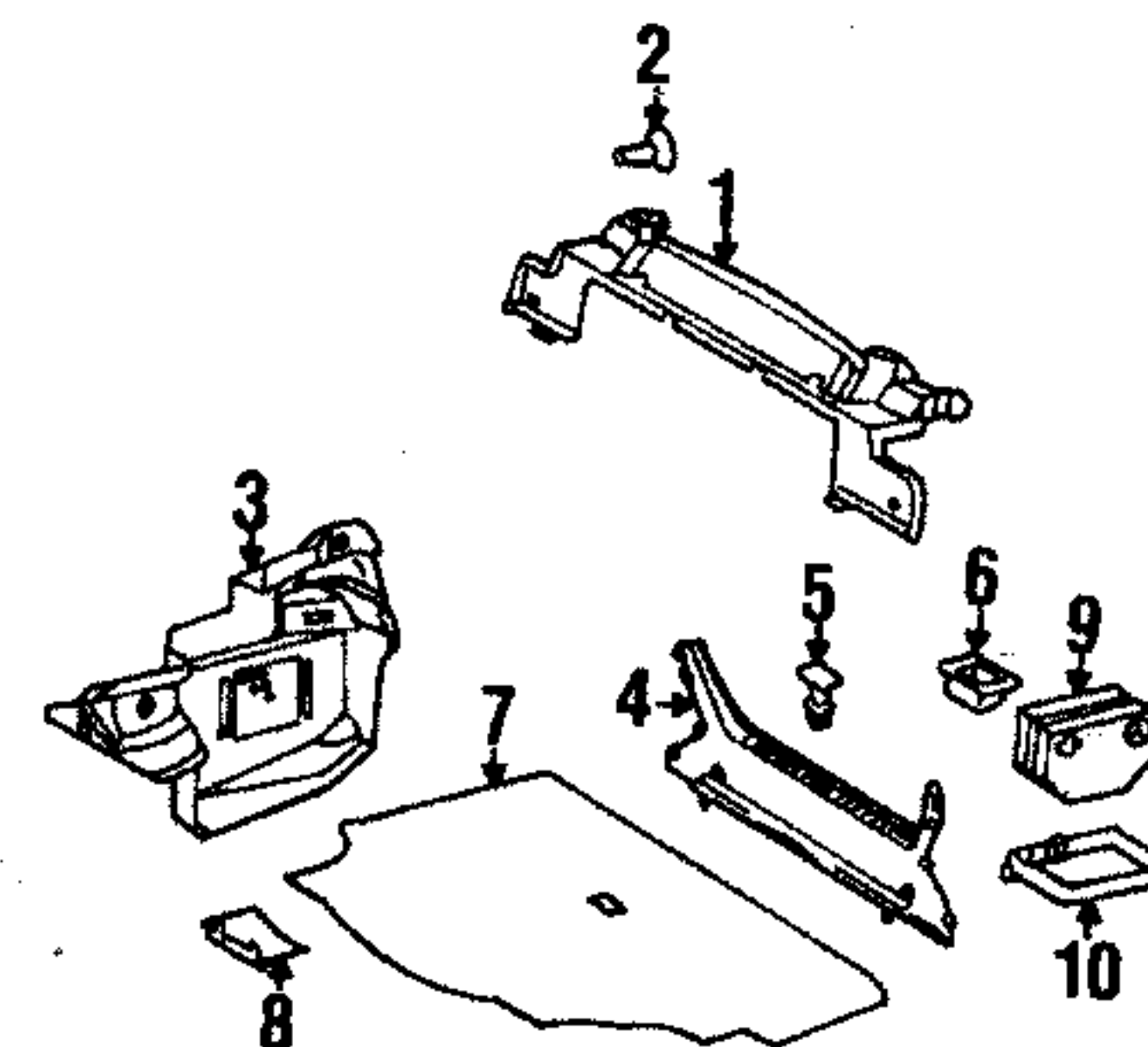
FLOOR & RAILS

1 Center floor pan	99-01	228.00	17.0	208 610 03 61
2 Front c'member	99-01	126.00#		202 610 05 20
Seat bracket				
3 type 1	99-01	2.90#		202 618 14 14
4 type 2	99-01	2.20		202 618 12 14
5 type 3	99-01	4.35		202 618 11 14
6 type 4	99-01R	6.00		202 611 02 14
	99-01L	6.00		202 611 01 14
7 Reinforcement	99-01	6.25		202 618 05 16
8 Clamp	99-01	5.50		202 619 00 30
9 Crossmember	99-01	189.00†	4.5	202 610 03 16
10 reinforcement	99-01	127.00†	4.0	208 610 10 25
11 Rear floor pan (p1.2)	99-01	595.00†	16.0	208 610 00 61
12 Spare housing	99-01	150.00¶		202 610 02 75
13 Battery tray	99-01	25.00¶		202 610 00 73
14 stay	99-01	2.00¶		202 618 00 35
15 Tow hook brkt	99-01	12.50¶		202 618 00 32
Sidemember				
16 front	(p1.2) 99-01R	230.00<s	12.0	208 610 08 10
	(p1.2) 99-01L	240.00<s	12.0	208 610 07 10
17 rear	99-01R	59.00¶	3.0	202 610 04 10
	99-01L	175.00¶	3.0	208 610 05 10
19 Extension				
right side	99-01	30.00@	2.0	202 611 02 39
20 Floor side	99-01	38.50*	2.5	208 610 01 61
Mount plate				
21 rear axle	99-01B	4.80@		201 611 00 11
Rear crossmember				
22 front	99-01	23.50		202 612 07 25
23 rear	99-01	60.00¶	3.0	208 610 00 14
24 Spare tire retnr	99-01	.70¶		124 618 33 31

PARTS: Part is included with center floor pan.
 ¶ PARTS: Part is included with rear floor pan.
 † LABOR: After bumper and all necessary bolted on parts are removed.
 ‡ LABOR: Time includes R&R rear body panel.
 @ PARTS: Part is included with front sidemember.
 * PARTS: Part is included with left rear sidemember.
 < LABOR: After suspension and necessary bolted on parts are removed.



5769480



5769484

INTERIOR TRIM

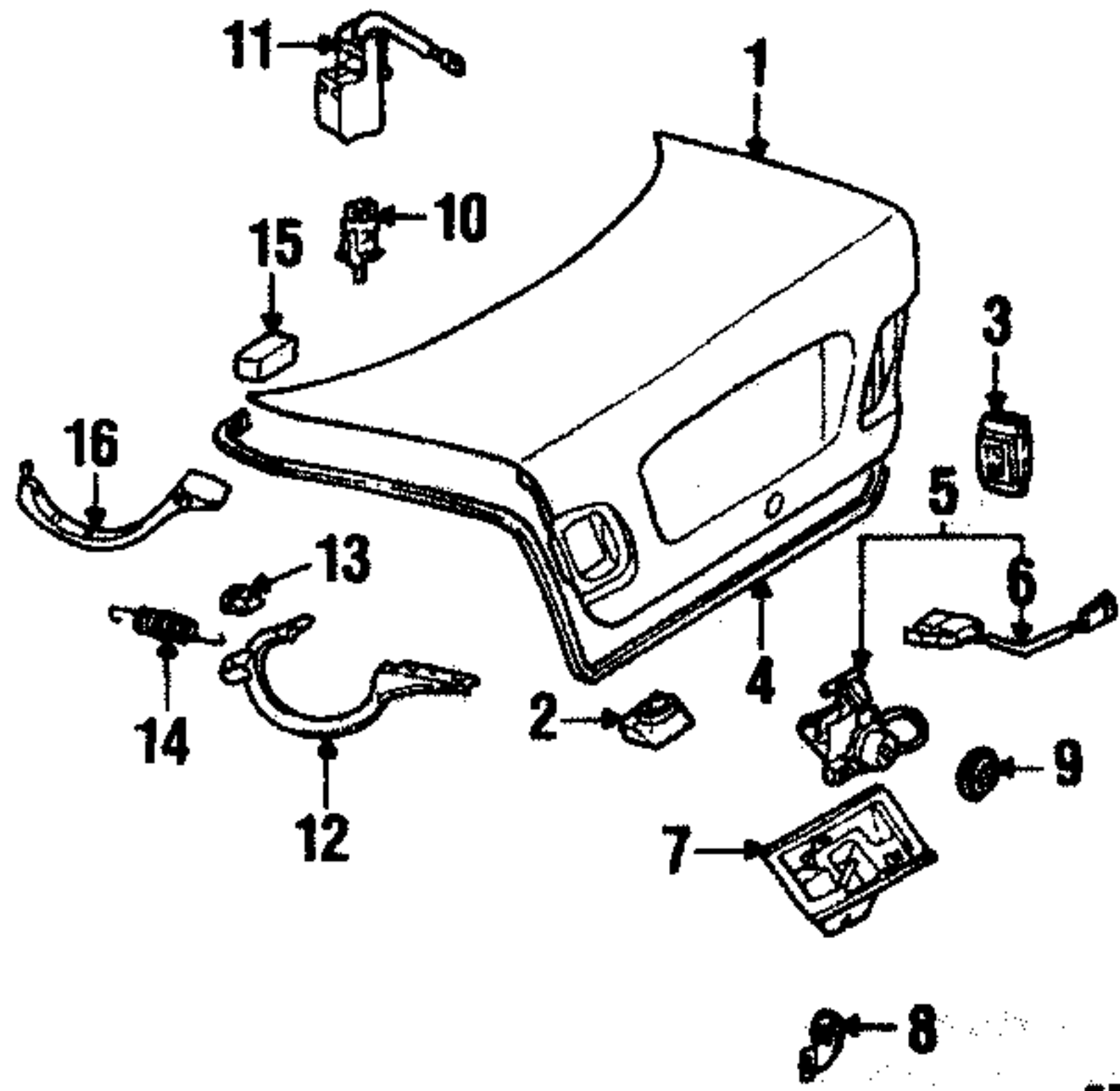
1 Front cover	99-01	80.00		208 694 13 259C18
2 plug	99-01	8.00		002 997 33 86
3 Side panel	99-01R	102.00	0.5	208 690 42 259C18
	99-01L	102.00	0.5	208 690 39 259C18
4 Rear panel	99-01	17.50	0.3	208 694 06 25
5 rivet	99-01	.40		124 990 07 92

CONTINUED

REAR BODY CONVERTIBLE (CONT)

6	Insert	99-01	4.00		208 694 00 01
7	Lining	99-01	119.00	0.2	208 680 03 429C18
		00-01	117.00	0.2	208 680 04 429C18
8	front bracket	99-01	28.50		208 684 00 169B51
9	First aid box	99-01			000 860 05 50
10	strap	99-01	13.00		208 690 00 86

TRUNK LID



5769485

REFINISHING NOTES

Refn trunk lid underside 98-01 p1.0

R&I OPERATIONS

R&I trunk lid 98-01 1.0

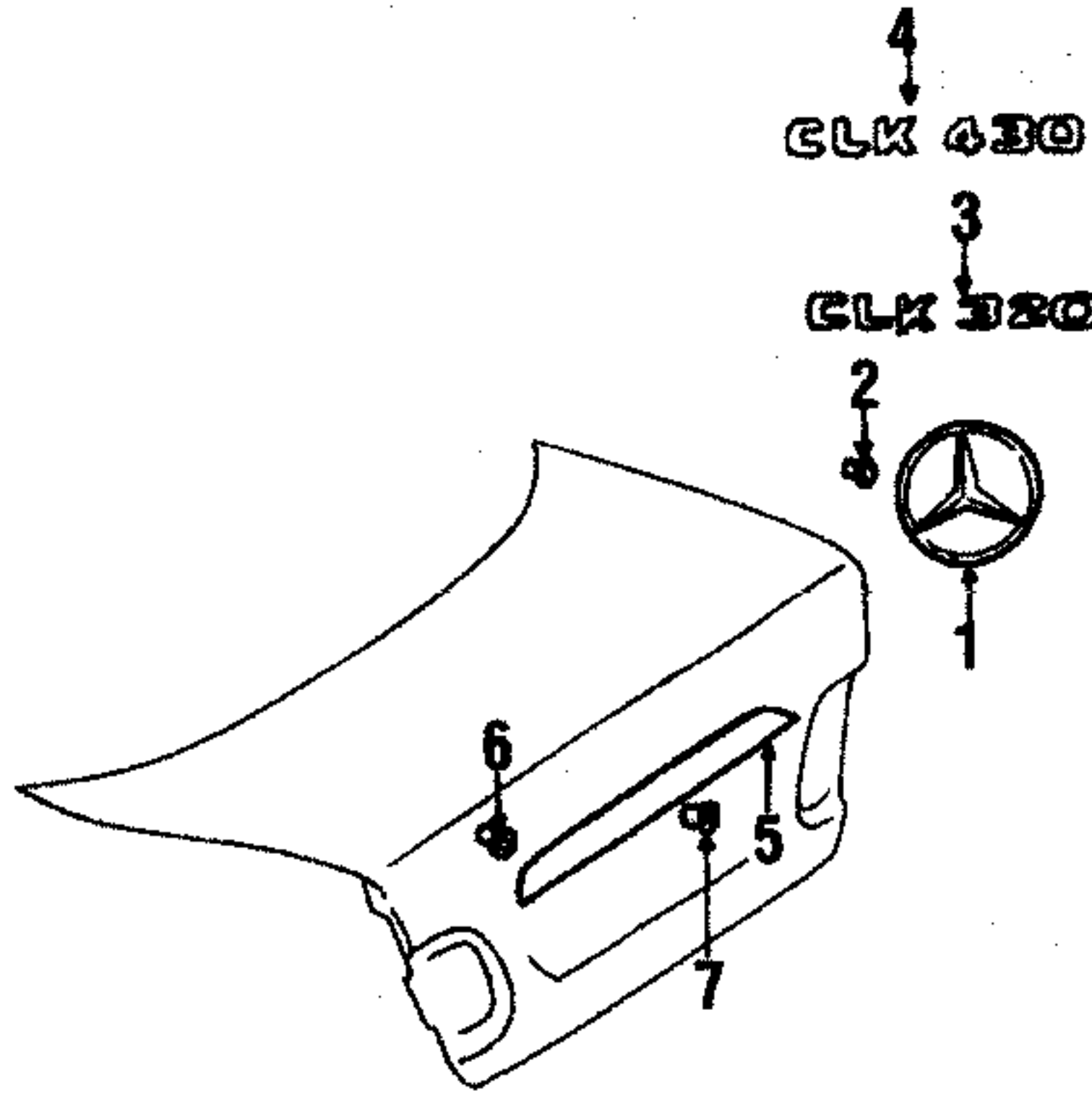
PARTS AND R&R OPERATIONS

LID & COMPONENTS

1	Trunk lid				
	coupe	(p.2.1) 98-01	408.00	2.5	208 750 02 75
	convertible	(p.2.1) 99-01	372.00	2.5	208 750 05 75
	bumper				
	lower				
2	coupe	98-01R	2.00	0.1	210 750 06 26
		98-01L	2.00	0.1	210 750 05 26
	convertible	99-01R	5.50	0.1	208 757 02 94
		99-01L	5.50	0.1	208 757 01 94
3	side	98-01B	4.00		210 750 03 26
4	Weatherstrip				
	coupe	98-01	54.00	0.5	208 750 00 98
	convertible	99-01	48.50	0.5	208 750 02 98
5	Lock	98-01	254.00	0.3	208 750 01 91
6	Cylinder switch	98-01	15.50		208 820 10 10
7	Lock cover				
	coupe	98-01	33.50	0.2	210 750 07 84
	convertible	98-01	65.00	0.2	208 750 06 84
8	Striker	98-01	1.70	0.2	202 758 00 01
9	Seal	98-01	1.20		208 758 00 98
10	Lamp switch	98-01	2.50		201 820 21 10
11	Lock switch	98-99	20.00	0.3	208 820 21 10
12	Hinge				
	coupe	(p.3) 98-01R	38.50	1.5	208 750 02 28
		(p.3) 98-01L	38.50	1.5	208 750 01 28
	convertible	(p.3) 99-01R	48.50	1.5	208 750 04 28
		(p.3) 99-01L	48.50	1.5	208 750 03 28
13	stop				
	coupe	98-01B	9.25		210 750 02 26
	convertible	99-01B			NOT USED
14	Spring				
	coupe	98-01B	7.75		208 757 00 29
	convertible	99-01B	27.00		208 750 03 36
15	insulator				
	coupe	98-01B	.85		202 757 00 96
	convertible	99-01B			NOT USED
16	Cable case				
	on hinge				
	coupe	98-01R	7.25		208 821 04 89
		98-01L	7.25		208 821 03 89
	convertible	99-01B			NOT USED

LABOR: After lid is removed.

¶ **PARTS:** Part is included with lock.

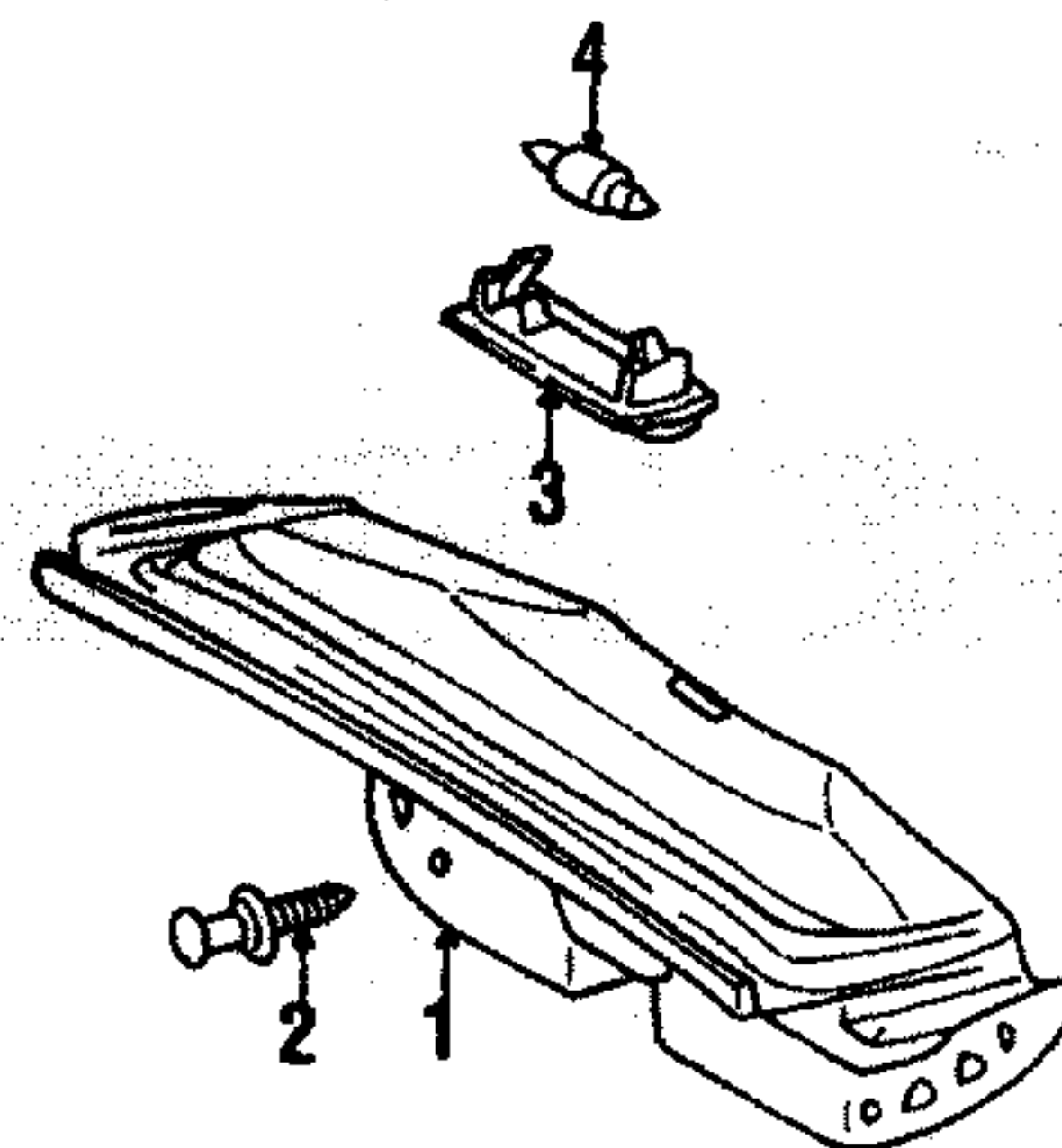


5769490

EXTERIOR TRIM

1	Emblem				
	Mercedes star				
	coupe	98-01	6.25	0.3	208 758 00 58
	convertible	99-01	7.00	0.3	170 758 00 58
2	grommet	98-01	.40	0.3	201 997 22 81
	Nameplate				
3	"CLK320"	98-01	27.00	0.3	208 817 03 15
4	"CLK430"	99-01	27.00	0.3	208 817 07 15
	"CLK55"	01	55.00	0.3	208 817 08 15
	"AMG"	01	55.00	0.3	220 817 08 15
5	Molding				
	license lamp				
	black	(p.5) 98-01	62.00	0.5	208 758 05 389040
	white	(p.5) 98-01	62.00	0.5	208 758 05 389143
	silver	(p.5) 98-01	62.00	0.5	208 758 05 389744
	nut				
6	type 1	98-01	.85		140 990 06 58
7	type 2	98-01	.85		124 990 02 58

PARTS: Order by color and description. **LABOR:** Refinish time is provided for those instances when required color is not available or for some repair situations.

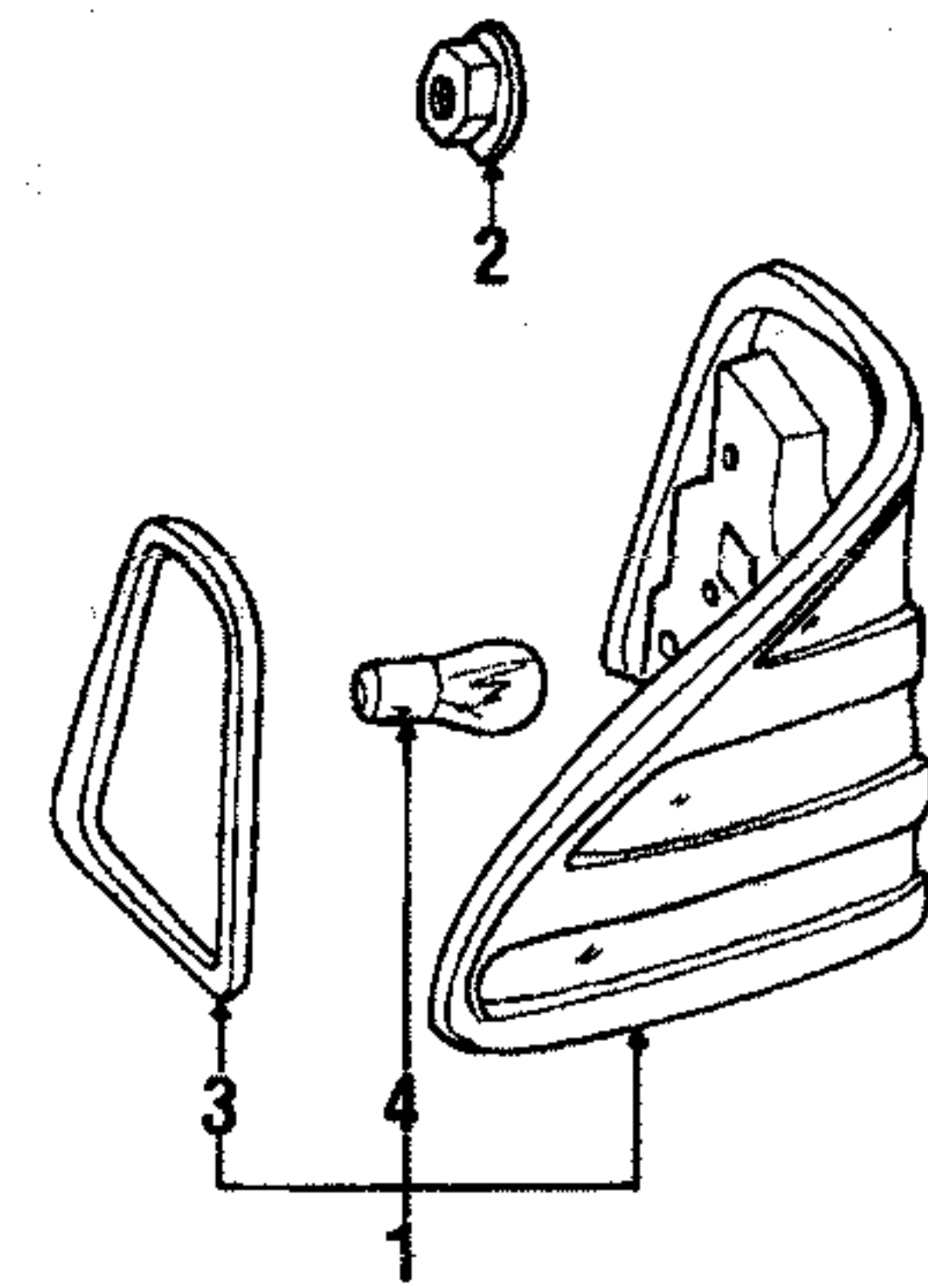


5769495

INTERIOR TRIM

1	Trunk lid trim				
	coupe	98-01	102.00	0.5	208 694 02 25
	convertible	99-01	100.00	0.5	208 694 15 25
		00-01	69.00	0.5	208 694 25 25
2	retainer	98-01	.50		201 990 02 92
3	Luggage lamp	98-01	2.20	0.2	124 820 03 01
4	Bulb	98-01	1.60		072 601 01 2120

REAR LAMPS



5769500

PARTS AND R&R OPERATIONS

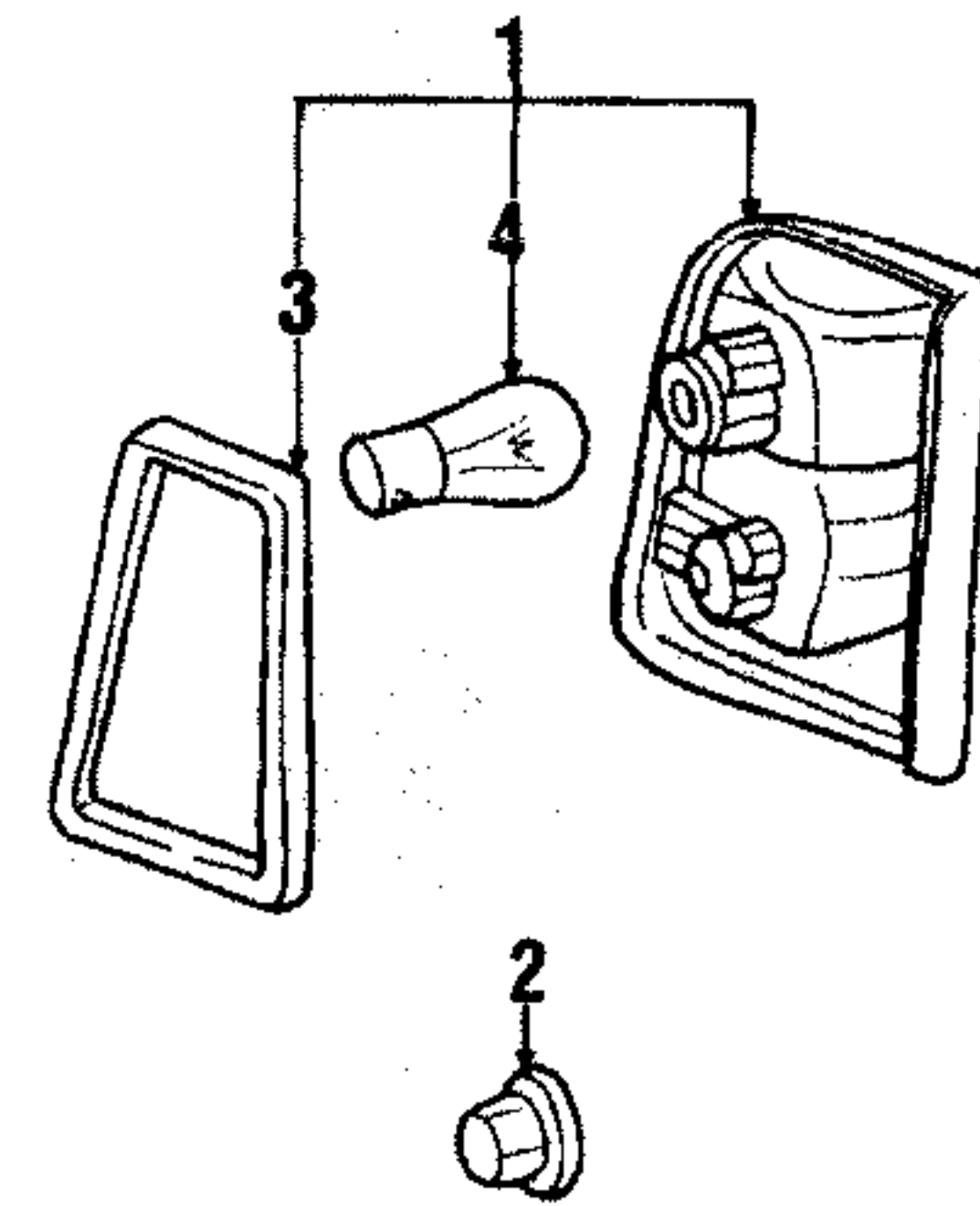
TAIL LAMPS

ON BODY

1	Tail lamp assy	98-01R	88.00	0.8=	208 820 04 64
		98-01L	87.00	0.8=	208 820 03 64
2	nut	98-01B	.50		913 017 00 5000
3	seal	98-01B	2.50		208 826 00 91
4	Bulb				
	signal	98-01B	#	0.3	600 000 00 0002
	tail	98-01B	2.80	0.3	600 000 00 0004
	brake & tail	98-01B	2.50	0.3	000 825 01 94

PARTS: Part included in tail lamp assembly. **LABOR:** Included with tail lamp R&I R&R. Time is for one or all bulbs.

¶ **PARTS:** Part included in tail lamp assembly.



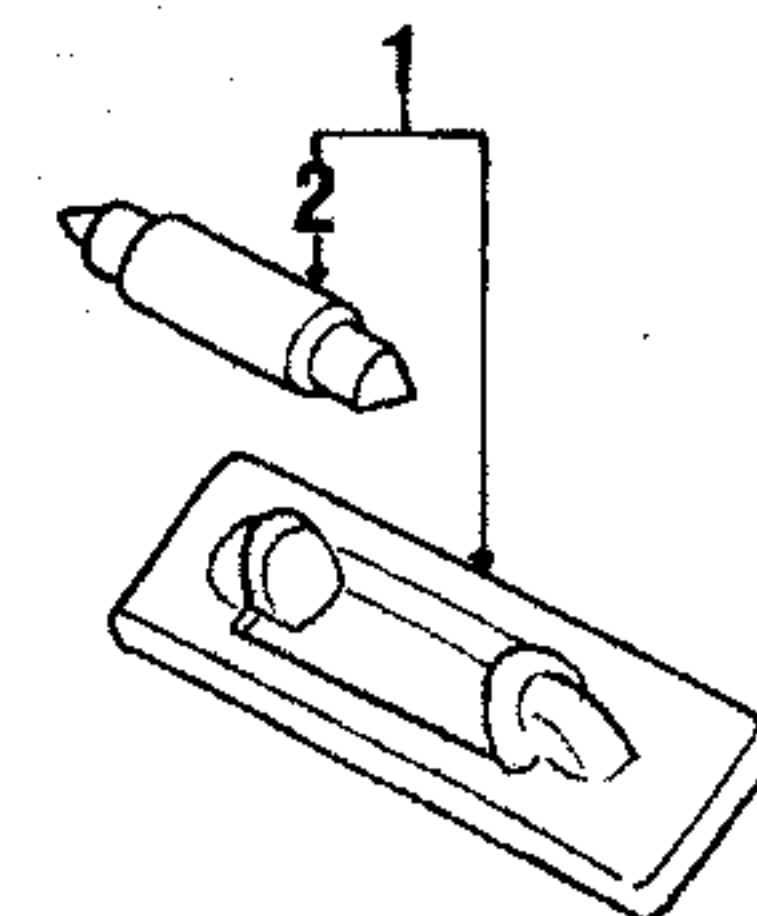
5769505

TAIL LAMPS

ON LID

1	Tail lamp assy	98-01R	55.00	0.3=	208 820 12 64
		98-01L	55.00	0.3=	208 820 11 64
2	nut	98-01B	1.00		210 990 00 53
3	seal	98-01B	3.70		208 826 01 91
4	Bulb	98-01B	2.50	0.2	600 000 00 0006

PARTS: Part included in tail lamp assembly. **LABOR:** Included with tail lamp R&I R&R. Time is for one or both bulbs.

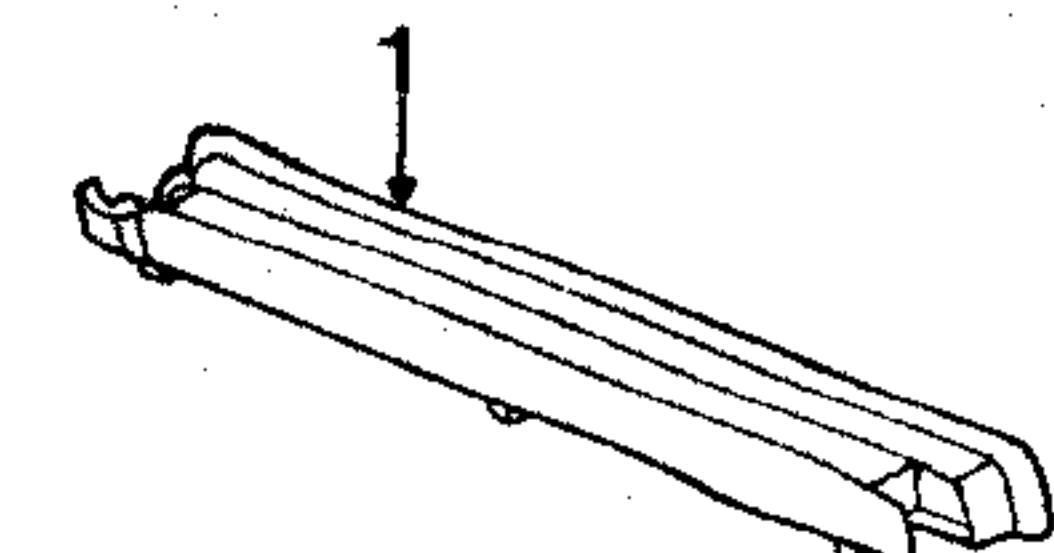


5769510

LICENSE LAMPS

1	License lamp	98-01B	20.00	0.2	170 820 03 56
2	Bulb	98-01B	1.20	0.2	072 601 01 2130

PARTS: Part included in license lamp assembly. **LABOR:** Included with license lamp R&I R&R.

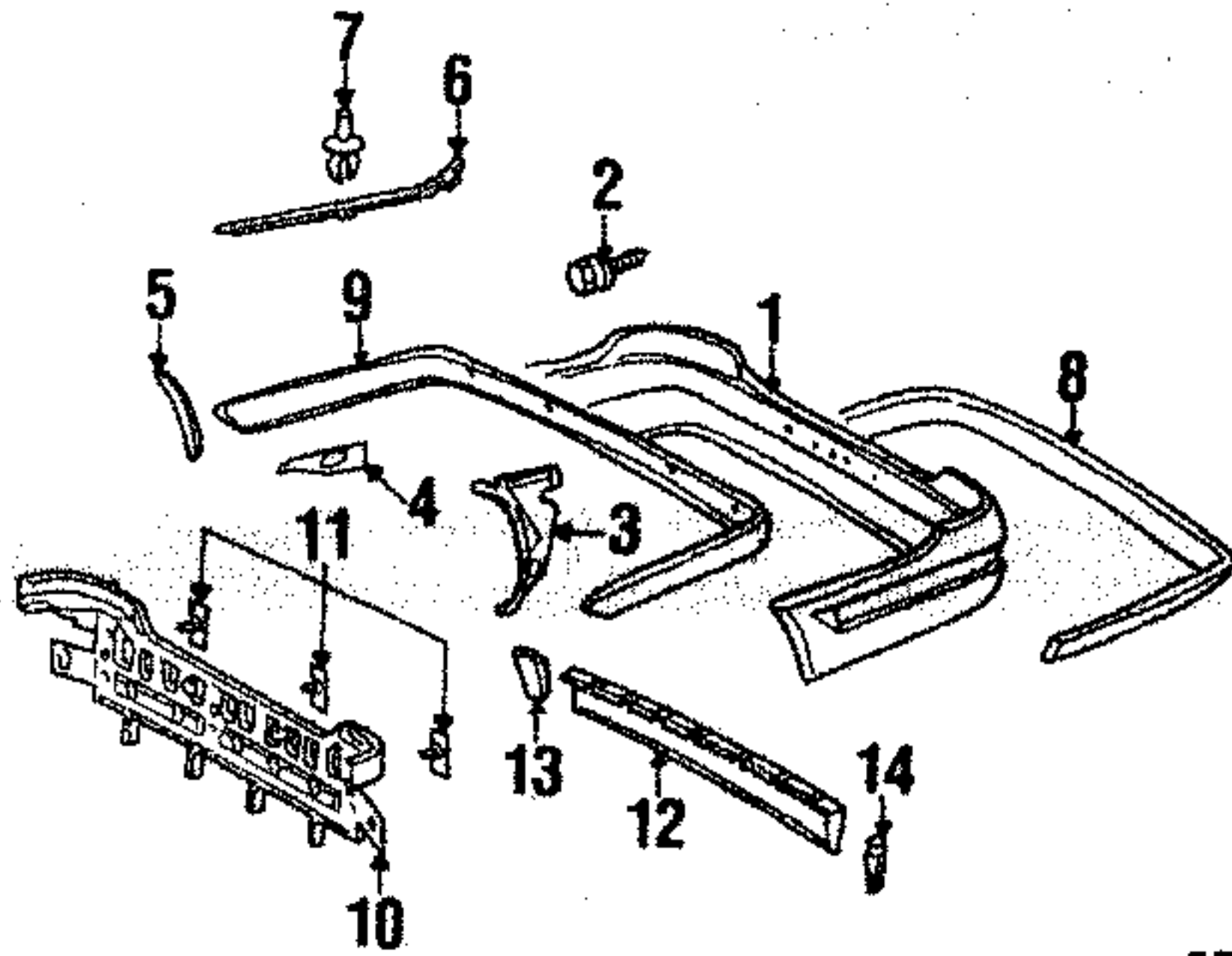


5769515

HIGH MOUNTED STOP LAMP

High mount lamp				
1	coupe			
	anthracite.....	98-01	87.00	0.5 208 820 02 569B51
	quartz.....	98-01	87.00	0.5 208 820 02 568G69
	gray.....	98-01	87.00	0.5 208 820 02 567D43
2	convertible.....	99-01	112.00	0.5 170 820 05 56
3	Lens.....	99-01	28.50	170 820 00 66
4	Support bracket.....	99-01	80.00	170 820 05 77
5	bolt.....	99-01	.70	001 990 36 20

REAR BUMPER



5769520

OVERHAUL OPERATIONS

O/H bumper assy... 98-01 2.0

R&I OPERATIONS

R&I bumper assy... 98-01 1.0

PARTS AND R&R OPERATIONS

BUMPER & COMPONENTS

1	Bumper cover				
	3.2 liter.....	(p2.4) 98-01	480.00#	2.0	208 880 03 40
	4.3L & 5.5L.....	(p2.4) 99-01	1820.00#	2.0	208 885 04 25
2	bolt.....	98-01	.50		008 990 56 01
3	guide.....	98-01R	23.50		208 885 04 63
		98-01L	23.50		208 885 01 16
4	Guard.....	98-01R	2.40		208 889 04 95
		98-01L	2.40		208 889 03 95
5	Escutcheon				
	black.....	98-01R			208 889 03 959040
		98-01L			208 889 05 959040
	white.....	98-01R			208 889 03 959143
		98-01L			208 889 05 959143
	silver.....	98-01R			208 889 03 959744
		98-01L			208 889 05 959744
6	Upper rail.....	98-01R	23.50		208 880 04 12
		98-01L	23.50		208 880 03 12
		98-01B	.50		000 990 99 92
7	rivet.....				
8	Valance panel				
	3.2 liter.....	98-99	160.00	0.3	208 885 01 25
		00-01	157.00	0.3	208 885 06 25
9	Trim cover.....	(p1.0) 98-01	101.00†	0.7	208 885 04 21
10	Reinforcement.....	98-01	90.00	2.0	208 880 00 52
11	bracket.....	98-01	4.00		208 880 00 14
	Energy absorber				
12	center				
	coupe.....	98-01	33.50†		208 885 09 37
	convertible.....	99-01	77.00†		208 885 30 37
	outer				
13	coupe.....	98-01R	11.00†		208 885 06 37
14		98-01L	11.00†		208 885 05 37
	convertible.....	99-01R	13.00†		208 885 28 37
		99-01L	13.00†		208 885 27 37

LABOR: Time is for overhaul.
† LABOR: Included in overhaul.