

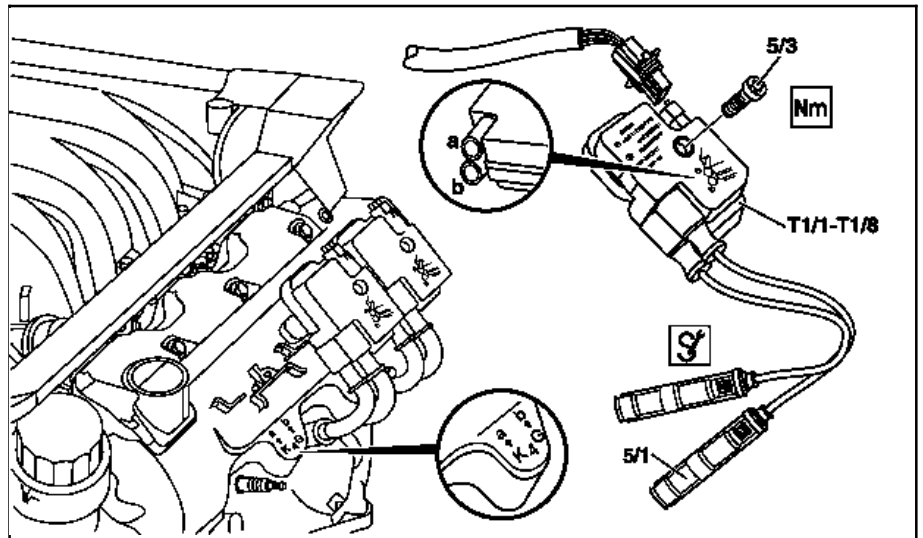
AR15.12-P-2003A	Remove/install ignition coils	23.5.06
-----------------	-------------------------------	---------

ENGINE 112.910 in MODELS 202.026 /086  
 ENGINE 112.920 in MODELS 202.029 /089  
 ENGINE 112.921 in MODELS 210.063 /081 /263 /281  
 ENGINE 112.922 in MODELS 220.063 /163  
 ENGINE 112.923 in MODEL 129.059  
 ENGINE 112.940 in MODELS 208.365 /465  
 ENGINE 112.941 in MODELS 210.065 /082 /265 /282  
 ENGINE 112.942 in MODEL 163.154  
 ENGINE 112.943 in MODEL 129.064  
 ENGINE 112.944 in MODELS 220.065 /165  
 ENGINE 112.945 in MODEL 463  
 ENGINE 113.940 in MODELS 210.070 /270  
 ENGINE 113.941 in MODELS 220.070 /170  
 ENGINE 113.960 in MODEL 215.375, 220.075 /175 /875  
 ENGINE 113.961 in MODEL 129.068  
 ENGINE 113.962 /982 in MODEL 463  
 ENGINE 113.980 in MODELS 210.074 /274  
 ENGINE 113.944 in MODELS 202.033 /093  
 ENGINE 113.942 in MODEL 163.172  
 ENGINE 113.943 in MODELS 208.370 /470  
 ENGINE 113.984 in MODELS 208.374  
 ENGINE 113.981 in MODEL 163.174  
 ENGINE 112.912 in MODELS 203.061 /261, 209.361 /461  
 ENGINE 112.946 in MODELS 203.064 /264  
 ENGINE 112.947 in MODEL 170.465  
 ENGINE 112.960 in MODEL 170.466  
 ENGINE 113.986 in MODEL 215.373, 220.073 /173  
 ENGINE 112.961 in MODELS 203.065 /265  
 ENGINE 113.965 in MODEL 163.175  
 ENGINE 113.963 in MODEL 230.475  
 ENGINE 113.968 in MODEL 209.375 /475  
 ENGINE 112.913 in MODELS 211.061 /261  
 ENGINE 112.949 in MODELS 211.065 /265  
 ENGINE 113.967 in MODELS 211.070 /270  
 ENGINE 113.992 in MODEL 230.474  
 ENGINE 113.987 in MODELS 209.376 /476  
 ENGINE 112.955 in MODELS 209.365 /465  
 ENGINE 113.990 in MODELS 211.076 /276  
 ENGINE 113.991 in MODELS 215.374, 220.074 /174  
 ENGINE 112.916 in MODELS 203.081 /281  
 ENGINE 112.953 in MODELS 203.084 /284  
 ENGINE 112.972 in MODELS 220.067 /167  
 ENGINE 112.973 in MODEL 230.467  
 ENGINE 112.970 in MODEL 163.157  
 ENGINE 112.975 in MODELS 220.087 /187  
 ENGINE 113.948 in MODELS 220.083 /183  
 ENGINE 113.966 in MODELS 220.084 /184  
 ENGINE 112.917 in MODELS 211.080 /280  
 ENGINE 112.954 in MODELS 211.082 /282  
 ENGINE 113.969 in MODELS 211.083 /283  
 ENGINE 113.988 in MODEL 203.076 /276  
 ENGINE 113.993 in MODELS 463.270 /271  
 ENGINE 113.989 in MODEL 171.473  
 ENGINE 113.995 in MODEL 230.472

Shown on engine 112

- 5/1 Spark plug connector
- 5/3 Bolt
- T1/1 Cylinder 1 ignition coil
- T1/2 Cylinder 2 ignition coil
- T1/3 Cylinder 3 ignition coil
- T1/4 Cylinder 4 ignition coil
- T1/5 Cylinder 5 ignition coil
- T1/6 Cylinder 6 ignition coil
- T1/7 Cylinder 7 ignition coil
- T1/8 Cylinder 8 ignition coil

Arrow: Identification of the connector



P15.12-2045-05

Modification notes

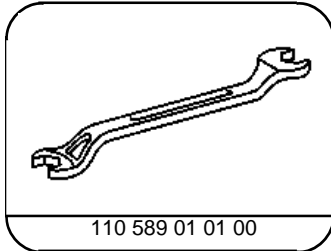
16.5.06	"Disconnect/connect ground line on battery" removed	Model 203, 209,	
---------	---	-----------------	--

	Remove/install		
<b>Danger!</b>	<b>Risk of death</b> caused by touching parts which conduct high voltages	Do not touch parts which conduct high voltages. Persons who wear electronic implants (e.g. heart pacemakers) should never perform any work on the ignition system.	AS15.10-Z-0001-01A
	Notes on avoiding damage to ignition system		AH15.10-P-0002-01D
1.1 	Deactivate service mode in TELE AID emergency call system Notes on TELE AID emergency call system	Only on model 463.270 with code: Tele-Aid car phone emergency call system ET2. Model 463.243/244/245/247/248/250/254/270/309/322/323/332/333 TELE AID car telephone emergency call system ET2	AR82.95-P-0005-03GR AH82.95-P-0001-01GA
2	Disconnect ground line from battery	Model 463 except model 463.241/248 with code 979 special protection version Model 463.241 with: special protection version code 979, -special protection version FB4 with code ZS4, -special protection version FB6 with code ZS6, -special protection version FB7 with code ZS7, additional battery 100 Ah incl. cutoff relay code E26. Model 463.248 with: special protection version, code 979, -special protection version FB6, code ZS6, -special protection version FB7, code ZS7, -additional battery 100 Ah including cutoff relay, code E26.	AR54.10-P-0003G AR54.10-P-0003PV  AR54.10-P-0003PM
3.1	Unclip cover on front side of engine	Model 211, 215, 220, 230.475/476	
4.1	Remove engine cover with integrated air filter	Except model 170.466, 203.065/076/265/276, 209.376/476 from 24.4.04, 211.076/276, 215.374, 220.074/174, 230.474, 463.270/271 The air filter is integrated in the engine cover. Remove the engine cover or the air filter housing by pulling it from the cylinder head covers vertically in the upward direction.	

4.2	Remove air filter housing	Model 170.466, 203.065/265, 211.076/276, 215.374, 220.074/174, 230.474 Model 203.076 /276, 209.376 /476 from 24.4.04, 171.473 Model 463.270/271	AR09.10-P-1150SVK AR09.10-P-1150AC AR09.10-P-1150GX
5	Unscrew screw (5/3)	<b>Nm</b>	*BA15.10-P-1001-04A
6	Detach spark plug connector (5/1) from the spark plugs	<b>i</b> Pry off spark plug connector (5/1) using open-end wrench, double over the cylinder head cover of the spark plugs. <b>i</b> <b>Installation:</b> Observe the identification of the connector (arrow) on the cylinder head cover and the ignition coil of cylinders 1 to 6 or 1 to 8 for the corresponding spark plug connector (5/1). <b>☑</b> Double open-ended wrench	*110589010100
7	Separate electrical connector of ignition coil of cylinder 1 to 6 (T1/1 to T1/6) or 1 to 8 (T1/1 to T1/8)	<b>i</b> <b>Installation:</b> Install new cable ties.	
8	Remove ignition coil of cylinder 1 to 6 (T1/1 to T1/6) or 1 to 8 (T1/1 to T1/8)		
9	Install in the reverse order		
10.1	Activate Service mode in Tele-Aid emergency call system <b>i</b> Notes on TELE AID emergency call system	<b>i</b> Only on model 463.270 with code: Tele-Aid car phone emergency call system ET2. Model 463.243/244/245/247/248/250/254/270/309/322/323/332/333 TELE AID car telephone emergency call system ET2	AR82.95-P-0005-03GR AH82.95-P-0001-01GA

**Nm** Ignition coil

Number	Designation	Engines 112, 113
BA15.10-P-1001-04A	Bolt for ignition coil on cylinder head cover	Nm 8



110 589 01 01 00

Double open-end wrench