

Display Document

Sales designation:	Vehicle ident. number:	Engine number:	Automatic transmission:	Gr.:	Entry:	Mod.Y.:	Op. no.:
CLK 55 AMG	WDB209376*	113.987	722636	82.10			

AR82.10-P-1821Q

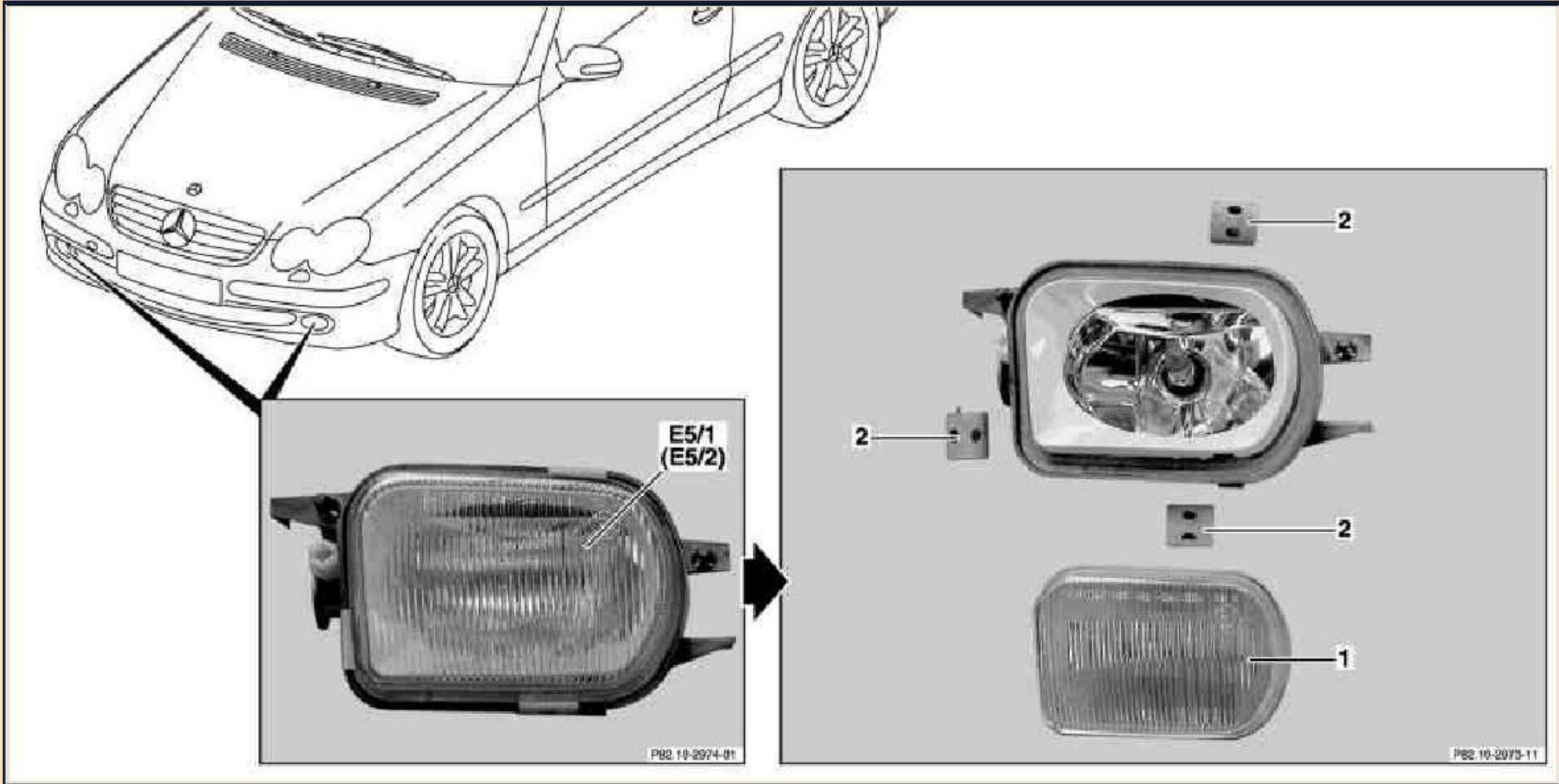
Remove/install lens of fog lamp

Full-size view

Validity OFF

Page: 2 / 2

MODELS 209 up to 16.5.05



Add.
Functions

Document
Functions

What is
new?

Document:

1

/

Level:

1

Menu

Help

Previous
Screen

Display Document

Sales designation:	Vehicle ident. number:	Engine number:	Automatic transmission:	Gr.:	Entry: Mod.Y.: Op. no.:
CLK 55 AMG	WDB209376*	113.987	722636	82.10	

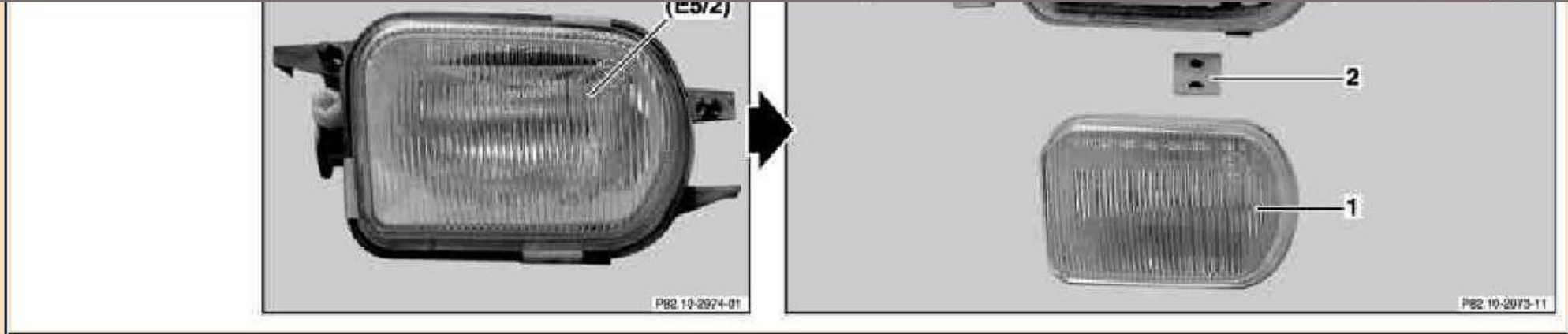
AR82.10-P-1821Q

Remove/install lens of fog lamp

Full-size view

Validity OFF

Page: 2 / 2



P82.10-2975-09

1 Lens

2 Retaining clips

E5/1 Left front fog lamp

E5/2 Right front fog lamp

	Remove/install		
1	Remove left front fog lamp (E5/1), right front fog lamp (E5/2)		AR82.10-P-5103Q
2	Remove retaining clips (2)		
3	Remove lens (1)	ⓘ Installation: Replace gasket for lens (1) to avoid leakage.	
4	Install in the reverse order		

Add.
Functions

Document
Functions

What is
new?

Document:
1 / 1

Level:
1

Menu

Help

Previous
Screen

Display Document

Sales designation:	Vehicle ident. number:	Engine number:	Automatic transmission:	Gr.:	Entry:	Mod.Y.:	Op. no.:
CLK 55 AMG	WDB209376*	113.987	722636	82.10			

AR82.10-P-5103Q

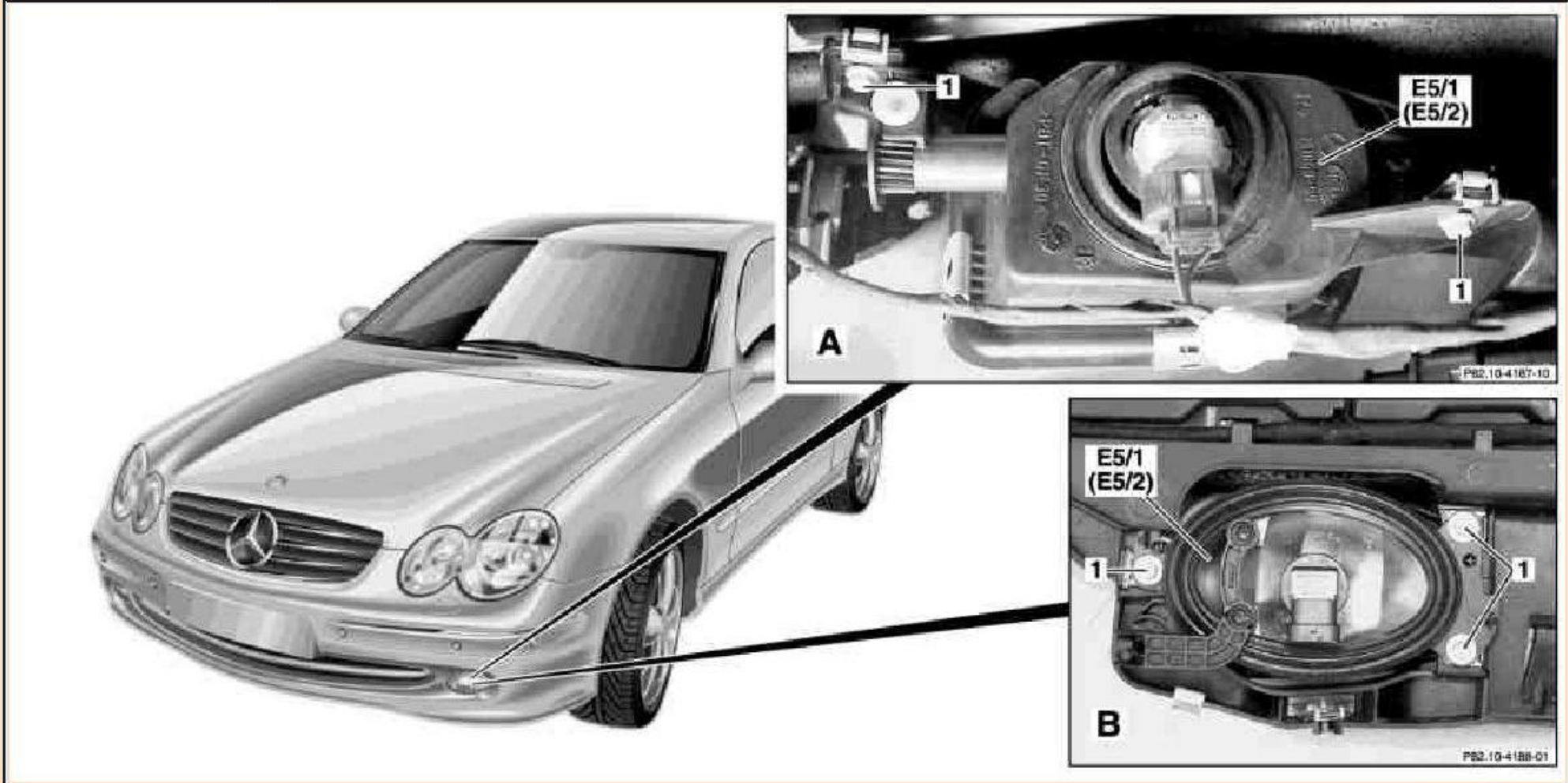
Remove/install fog lamp

Full-size view

Validity OFF

Page:

2 / 3



P82.10-4186-09

1 Bolts

A Front fog lamp up to 16.05.05

E5/1 Left front fog lamp

B Front fog lamp as of 17.05.05

E5/2 Right front fog lamp

Add.
Functions

Document
Functions

What is
new?

Document:

1

/

Level:

2

Menu

Help

Previous
Screen

Display Document

Sales designation:	Vehicle ident. number:	Engine number:	Automatic transmission:	Gr.:	Entry: Mod.Y.: Op. no.:
CLK 55 AMG	WDB209376*	113.987	722636	82.10	

AR82.10-P-5103Q	Remove/install fog lamp	Full-size view	Validity OFF	Page: 3 / 3
-----------------	-------------------------	----------------	--------------	-------------

		Remove/Install	
	Danger!	Risk of death caused by vehicle slipping or toppling off of the lifting platform.	Align vehicle between the columns of the lifting platform and position the four support plates at the lifting platform support points specified by the vehicle manufacturer.
			AS00.00-Z-0010-01A
1		Remove fender liner from front fender	Only remove front fender liner.
2		Detach electrical connector on left fog lamp (E5/1) or electrical connector on right fog lamp (E5/2)	AR88.10-P-1300P
3.1		Remove front engine compartment paneling	Model 209 with engines 112, 113, 271, 272
3.2		Remove bottom part of noise encapsulation at front	Model 209 with engines 612, 642, 646
4		Remove bolts (1)	
5		Take out the left fog lamp (E5/1) or right fog lamp (E5/2)	
6		Install in the reverse order	
7		Adjust left fog lamp (E5/1) and right fog lamp (E5/2)	
		Check and correct headlamp adjustment	AP82.10-P-8260P