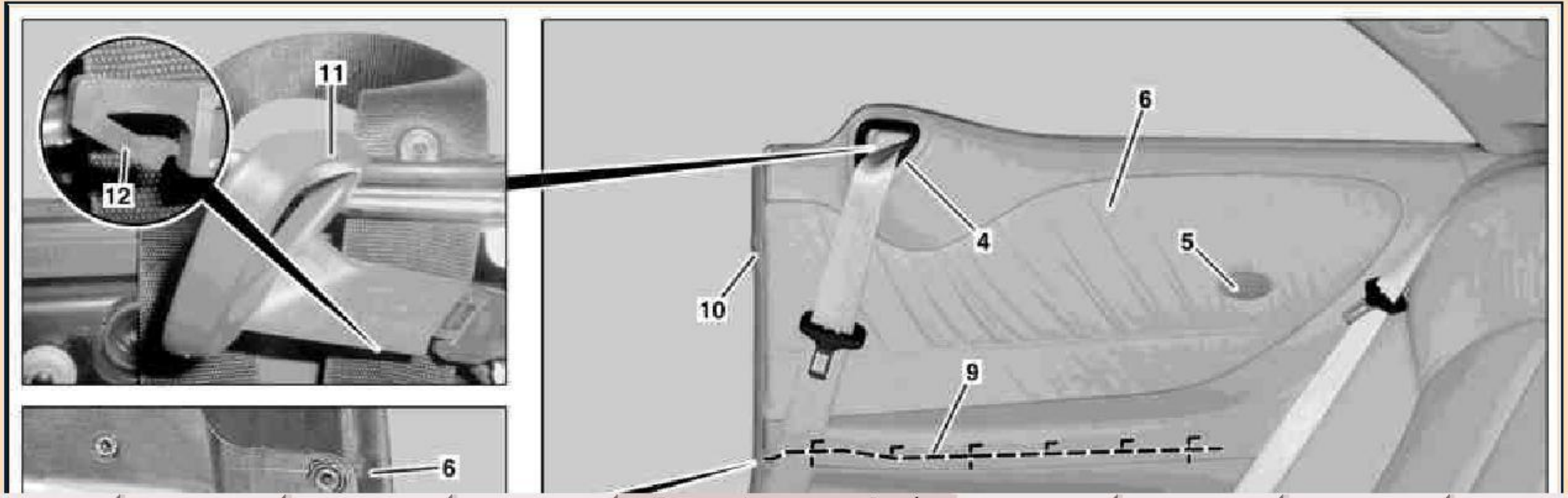


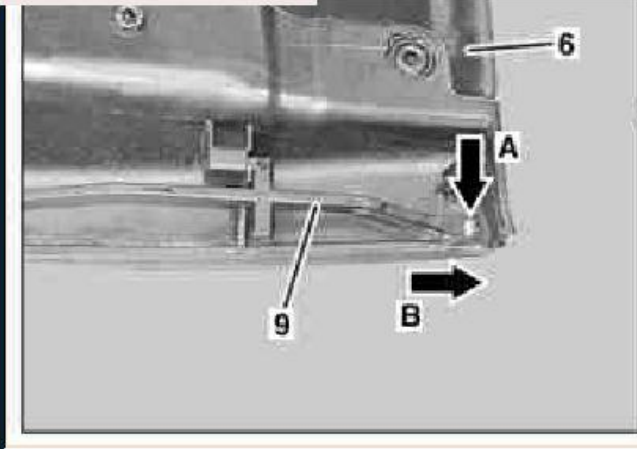
Werkstattinformationssystem Display Document

| | | | | | |
|-------------------------------|--------------------------------------|---------------------------|-----------------------------------|----------------|-------------------------|
| Sales designation: CLK 320 | Vehicle ident. number: WDB209365* | Engine number: 112.955 | Automatic transmission: 722618 | Gr.: 68.30 | Entrv. Mod.Y.: Op. no.: |
| AR68.30-P-4780Q | Remove/install side paneling in rear | | | Full-size view | Validity OFF |
| | | | | | Page: 2 / 9 |

MODEL 209.3



| | | | | | | | |
|----------------|--------------------|--------------|-----------------|----------|------|------|-----------------|
| Add. Functions | Document Functions | What is new? | Document: 1 / 1 | Level: 1 | Menu | Help | Previous Screen |
|----------------|--------------------|--------------|-----------------|----------|------|------|-----------------|



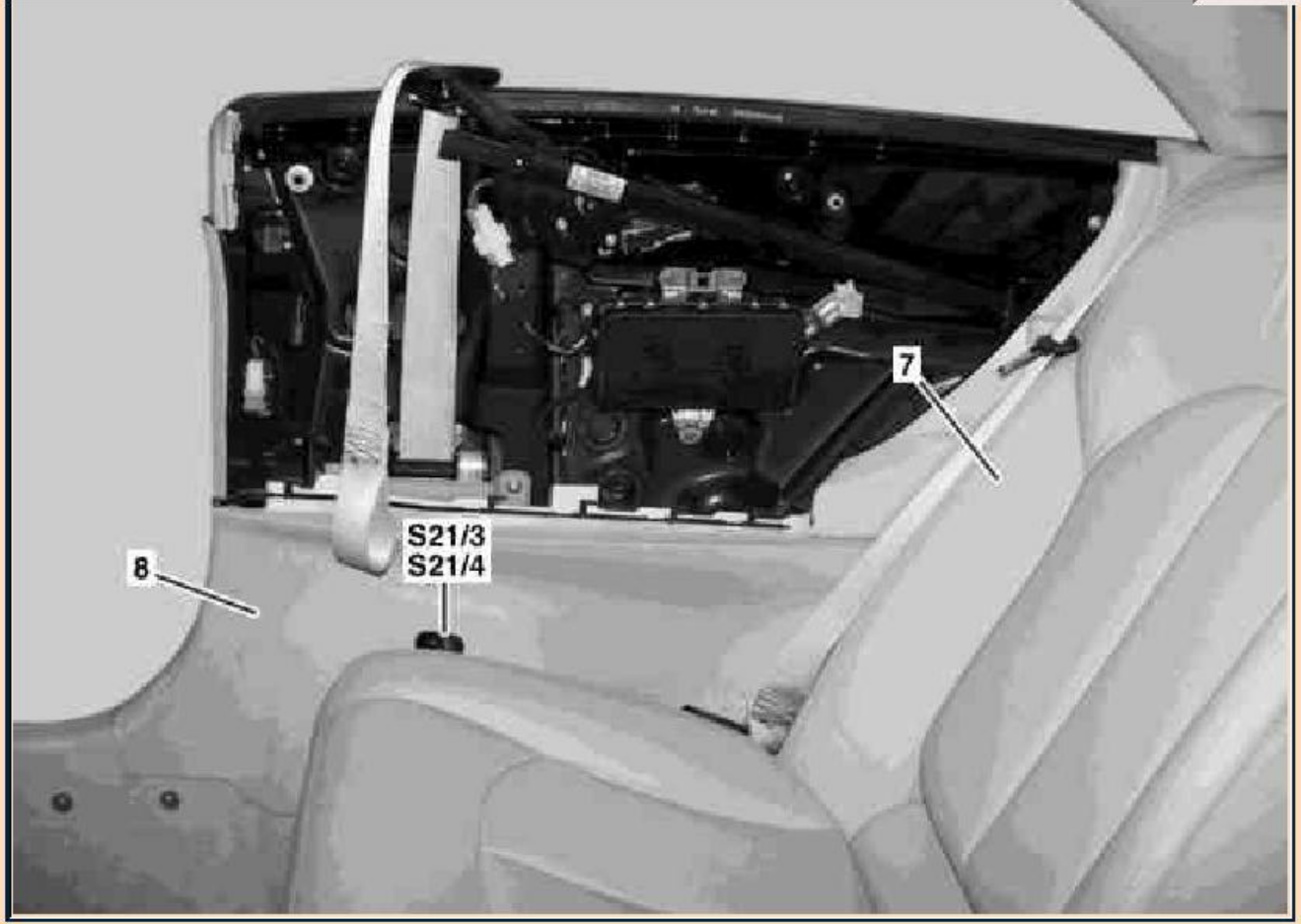
P68.30-3134-09

- | | | |
|-------------------------|---|-----------------------|
| 1 Bolts | 5 Sidebag sticker (with code (293) Sidebag in left and right rear) | 10 Edge guard |
| 2 Seat belt end fitting | 6 Upper side paneling | 11 Seat belt extender |
| 3 Seat belt | 9 Locking strip | 12 Catch hook |
| 4 Rosette | | |
| 7 Side bolster | | |
| 8 Bottom side paneling | | |

- S21/3 Left rear power window switch
S21/4 Right rear power window switch




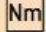



S21/3 Left rear power window switch
S21/4 Right rear power window switch




P68.30-3135-06

wis AR68.30-P-4780Q Remove/install side paneling in rear Normal view validity OFF Page: 5 / 7

|   | Remove/Install | | |
|---|---|--|--|
| 1 | Completely move left and right rear side window downward | | |
| 2 | Unclip left and right door sill molding and remove | | |
| 3 | Remove edge guard (10) in area of upper side wall paneling (6) and lower side wall paneling (8) | | |
| 4.1 | Unscrew bolts (1) and remove belt end fitting (2) | On vehicles with code (494) USA version: Not when removing right upper side wall paneling (6) or lower right side wall paneling (8).  Installation: Fit seat belt (3) without twisting. Otherwise proper function of seat belt (3) is not ensured  Nm | <div style="border: 1px solid black; padding: 2px;">BA91.40-P-1001-01A</div> |
| 5.1 | Remove belt tensioning sensor | On vehicles with code (494) USA version: When removing right upper side wall paneling (6) or lower right side wall paneling (8).  See: ↓ Remove/install seat belt with emergency tensioning retractor | <div style="border: 1px solid black; padding: 2px;">AR91.40-P-0630Q</div> |

Start Rear win... wis << 21:22

wis AR68.30-P-4780Q Remove/install side paneling in rear Normal view validity OFF Page: 6/ 7

| | | | | |
|------|---|---|----------------------|--------------|
| | | | tensioning retractor | |
| 6 | Pull seat belt extender (11) out of upper side wall paneling (6) until catch hook (12) is accessible. | | | |
| 7 | Unclip seat belt extender (11) by pressing catch hook (12) and remove | | | |
| 8 | Unclip rosette (4) from upper side wall paneling (6). | | | |
| 9 | Remove seat belt (3) through rosette (4) and seat belt extender (11).Then remove rosette (4) and seat belt extender (11). | | | |
| 10.1 | Unclip sidebag sticker (5) and unscrew bolt below | On vehicles with code (293) Sidebag in left and right rear | | |
| 11 | Hook removing and installing tool into eye (arrow A) and pull locking strip (9) to stop in direction of arrow (arrow B) | <p>i This unlocks the upper side wall paneling (6) from the lower side wall paneling (8).</p> <p>i Installation: Slide locking strip (9) to stop.Ensure that the locking strip (9) connects the upper side wall paneling (6) correctly with the lower side wall paneling (8).</p> <p></p> | | 116589016200 |

Start Rear win... wis << 21:24

| | | | |
|----|---|---|-----------------|
| 12 | Remove upper side paneling (6) upward | | |
| 13 | Remove side upholstery (7) | | AR91.12-P-1710P |
| 14 | Unclip lower side wall paneling (8) | i Installation: Replace damaged retaining clips. | |
| 15 | Unclip left rear power window switch (S21/3) and right rear power window switch (S21/4) and install through installation opening with lines connected and lay down to side. | | |
| 16 | Remove lower side wall paneling (8) | | |
| 17 | Install in the reverse order | | |
| 18 | Check seat belt (2) for free motion | | |

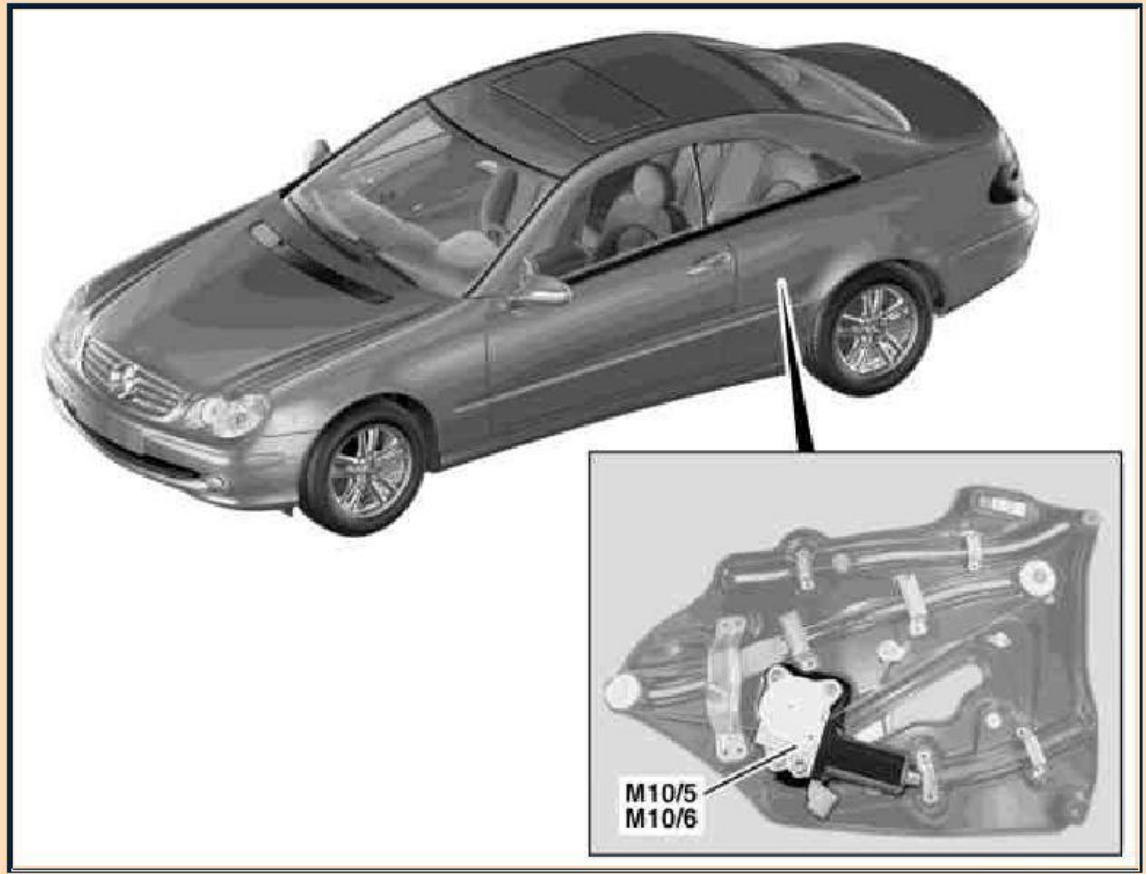
Nm Seat belts/emergency tensioning retractors

| Number | Designation | Model |
|--------------------|---------------------------|-------|
| | | 209.3 |
| BA91.40-P-1001-01A | Screw on belt end fitting | Nm 30 |

MODEL 209.3 /4

Shown on model 209.3

- M10/5 Left rear power window motor
- M10/6 Right rear power window motor



P72.29-2155-06

| | | | |
|--|-----------------------------------|---|--------------------|
| | Rear power window motor, location | The left rear power window motor (M10/5) and the right rear power window motor (M10/6) are located in the corresponding rear quarter. | |
| | Rear power window motor, function | | GF72.29-P-4109-02Q |