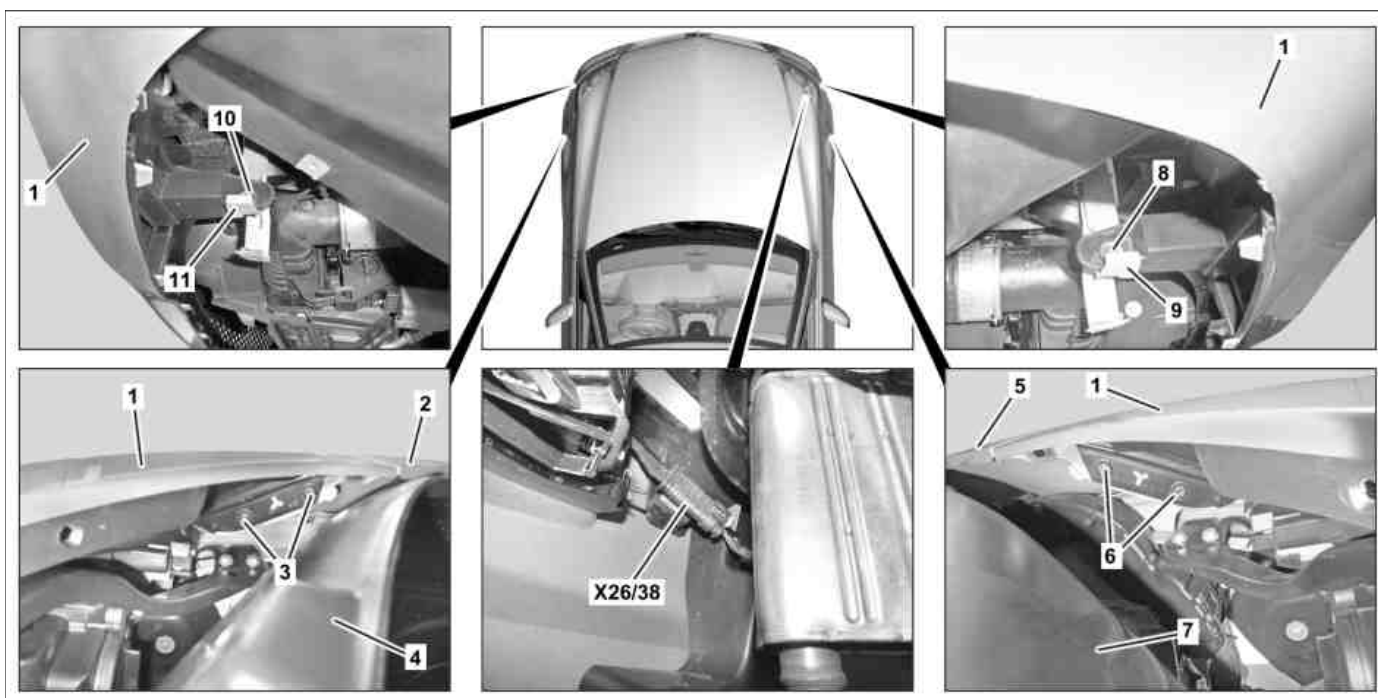


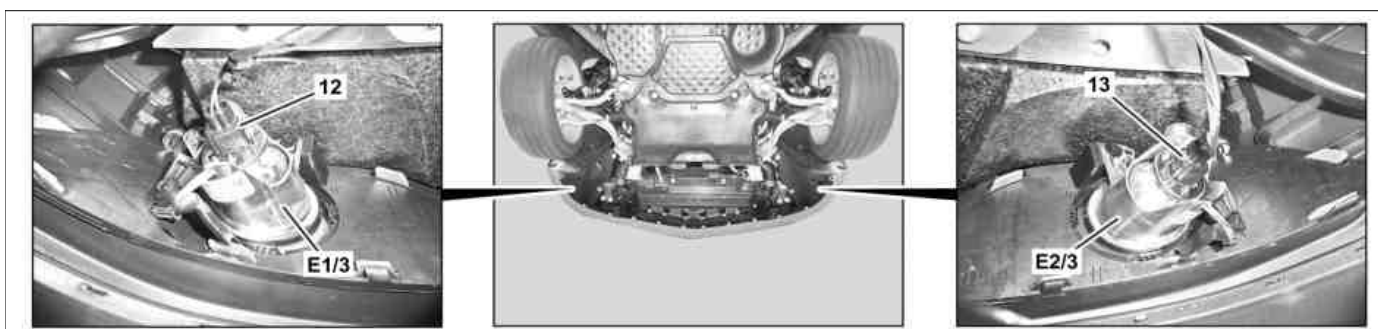
MODEL 218



P88.20-3614-09

Shown up to model year 2015

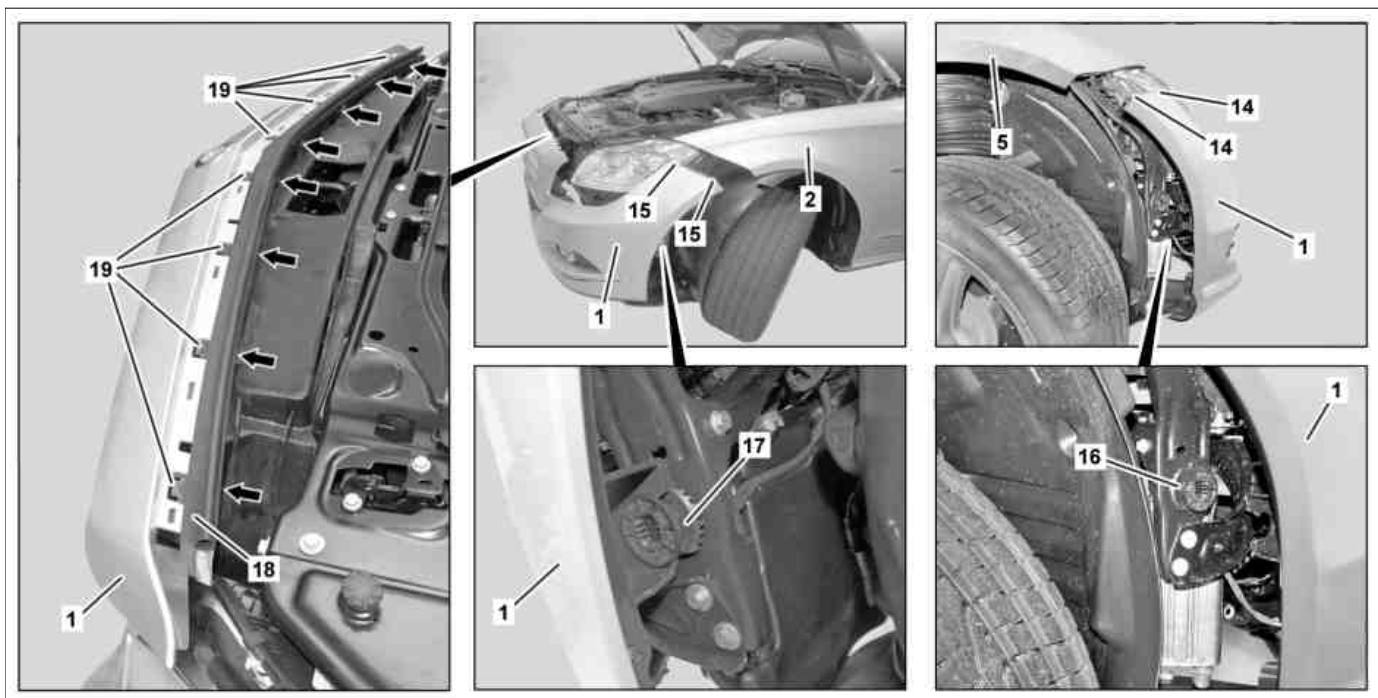
- | | | | | | |
|---|---------------------------------|---|----------------------------------|--------|--|
| 1 | Bumper | 5 | Right front fender | 9 | Right bracket |
| 2 | Left front fender | 6 | Bolts | 10 | Screw |
| 3 | Bolts | 7 | Right fender liner front section | 11 | Left bracket |
| 4 | Left fender liner front section | 8 | Screw | X26/38 | Electrical connector for frame wiring harness and front bumper (with code (220) PARKTRONIC or code (233) DISTRONIC PLUS or code (235) Active Parking Assist or code (237) Blind Spot Assist) |



P88.20-3616-07

Shown up to model year 2015

- | | | | |
|----|----------------------|------|--------------------------------------|
| 12 | Electrical connector | E1/3 | Left daytime running lamps headlamp |
| 13 | Electrical connector | E2/3 | Right daytime running lamps headlamp |



P88.20-3615-09

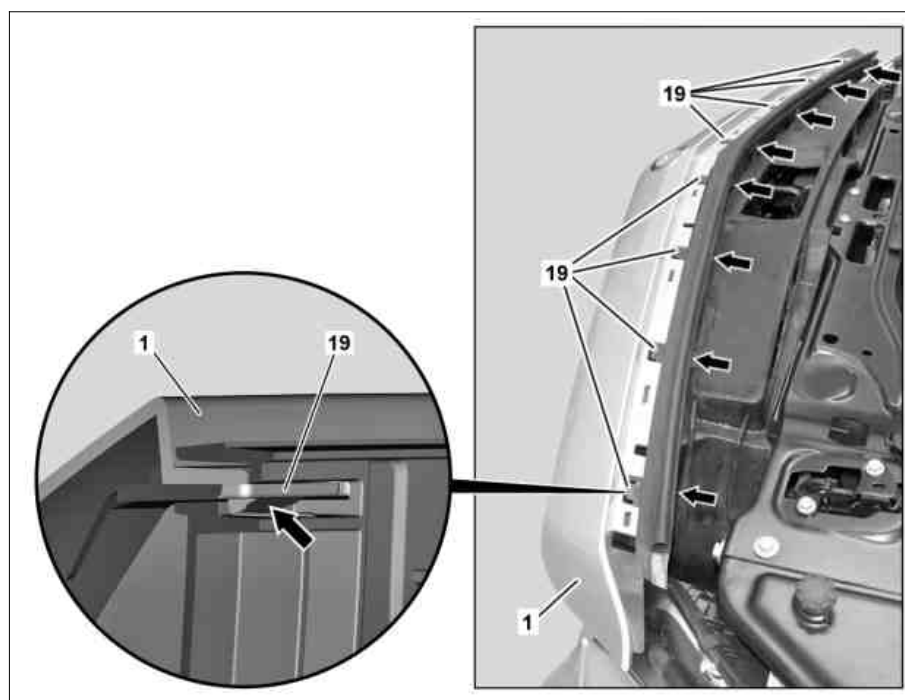
Shown up to model year 2015

- 1 Bumper
- 2 Left front fender
- 5 Right front fender

- 14 Guide pin
- 15 Guide pin
- 16 Bracket


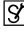

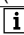

- 17 Bracket
- 18 Mounting rail
- 19 Catch hook

- 1 Bumper
- 19 Catch hook



P88.20-3895-06

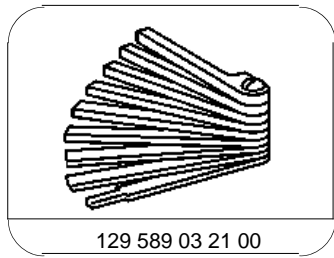
i	General information on the impact absorber		AH88.20-P-1000-01A
⊗ ⊗	Remove/install		
⚠ Danger !	Risk of death caused by vehicle slipping or toppling off of the lifting platform.	Align vehicle between vehicle lift columns and position the four support plates at the vehicle lift support points specified by the vehicle manufacturer.	AS00.00-Z-0010-01A
1	Lift vehicle on vehicle lift		

2.1	Remove front engine compartment paneling	MODEL 218 with ENGINE 157 MODEL 218 with ENGINE 274 MODEL 218 with ENGINE 276 MODEL 218 with ENGINE 278	AR61.20-P-1105EW
2.2	Remove bottom section of soundproofing	MODEL 218 with ENGINE 642 MODEL 218 with ENGINE 651	AR94.30-P-5300EW
3	Unscrew bolt (10) from left bracket (11)		
4	Unscrew bolt (8) from right bracket (9)		
5	Detach bumper (1) from right bracket (9) and left bracket (11)	i Installation: Bumper (1) must arrest in right bracket (9) and left bracket (11).	
6	Loosen left fender liner front section (4) in area of bumper (1) and remove	 Mounting wedge	*110589035900
7	Detach right fender liner front section (7) in area of bumper (1) and remove	 Mounting wedge	*110589035900
8	Unscrew bolts (3) from left front fender (2)	i Installation: Screw bolts (3) in only to stop. Tighten bolts (3, 6) after adjusting gap dimensions on bumper (1). Before tightening bolts (3, 6): ↓ Adjust gap dimensions on bumper (1). Gap dimensions on hoods, doors and lids Gap dimension  Feeler gauge	AR60.00-P-0700-01EL *BE60.00-P-1001-01O *129589032100
9	Unscrew bolts (6) on right front fender (5)	i Installation: Screw bolts (6) in only to stop. They are tightened after adjusting the bumper (1).	
10	Disconnect electrical connector on frame wiring harness and front bumper (X2638)	MODEL 218 with CODE 220 (PARKTRONIC) MODEL 218 with CODE 233 (DISTRONIC PLUS) MODEL 218 with CODE 235 (Active Parking Assist) MODEL 218 with CODE 237 (Active Blind Spot Assist)	
11	Disconnect electrical connector from front 360° camera	MODEL 218 as of model year 2015 with CODE 501 (360 degree camera)	
12	Disconnect electrical connector (12) from left daytime running lamp headlamp (E1/3)	MODEL 218 up to model year 2015 without CODE 498 (Japanese version)	
13	Disconnect electrical connector (13) from left daytime running lamp headlamp (E2/3)	MODEL 218 up to model year 2015 without CODE 498 (Japanese version)	
14	Detach bumper (1) from left front fender (2) and right front fender (5)	i Installation: Install guide pins (14, 15) on bumper (1) in left front fender (2) and right front fender (5). Install bumper (1) in bracket (16, 17).	
15	Detach catch hooks (19) from mounting rail (18) successively starting at one side	i For this purpose install  long wedge from the engine side into recesses (arrows) on mounting rail (18). Carefully pull bumper (1) toward front when detaching catch hooks (19).  Long wedge	*115589035900
16	Remove bumper (1) toward front		
17	Disassemble front bumper (1)	Only when replacing bumper (1).	
18	Install in the reverse order		
19	Calibrate front 360° camera (B84/9) using diagnostic system	MODEL 218 with CODE 501 (360 degree camera)	AD00.00-P-2000-04A

Test values for gap dimensions on hoods, doors and lids

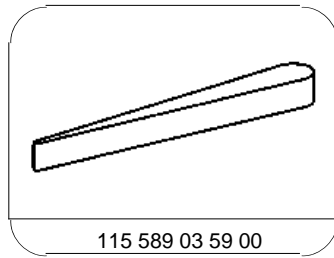
Number	Designation				MODEL 218.9	MODEL 218.3
BE60.00-P-1001-01O	Gap dimension	Engine hood to fender	Dimension "A"	mm	4,0 (±1)	4,0 (±1)
		Engine hood to headlamp	Dimension "B"	mm	4,0 (±1)	4,0 (±1)
		Engine hood to bumper	Dimension "C"	mm	4,0 (±1)	4,0 (±1)
		Engine hood to A-pillar	Dimension "Q"	mm	4,5 (±1)	4,5 (±1)
		Fender to headlamp	Dimension "R"	mm	4,0 (±1)	4,0 (±1)

	Bumper to headlamp Dimension "S" (circumferential)	mm	3,5 (±1)	3,5 (±1)
	Mounting rail, bumper to engine hood Dimension "T"	mm	7,5 (+0,5)	7,5 (+0,5)
	Mounting rail, bumper to engine hood Dimension "U"	mm	1,0 (±0,5)	1,0 (±0,5)
	Picture		AR60.00-P-0700-01 L	AR60.00-P-0700-01 EL



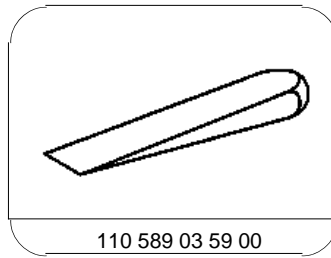
129 589 03 21 00

Feeler gauge



115 589 03 59 00

Long wedge



110 589 03 59 00

Mounting wedge