

Search

Fuse Box Diagram (<http://knigaproavto.ru/shemy/en/>) » Mercedes (<http://knigaproavto.ru/shemy/en/mercedes/>) » CLS-Class (<http://knigaproavto.ru/shemy/en/mercedes/cls-class/>) » 2010-2017 Mercedes CLS-Class W218 (C218/X218) fuse box diagram

2010-2017 MERCEDES CLS-CLASS W218 (C218/X218) FUSE BOX DIAGRAM

1 Injured? We Can Help.

Don't Wait Call Now For a Free Consultation. 100% Free If We Don't Win. Open 24/7. forthepeople.com

2 Popples Performance Garage - Auto Repair Shop

Auto Repair Shop - Established Reliable, Excellent Work & service. Call Now! popples-preformance-garage.business.site

AdChoices

Diagram Fuse Panel

Fuses

Electrical Sche

Relay

Doors and Windows

Circuit Relay S

Mercedes-Benz (<http://knigaproavto.ru/shemy/en/mercedes/>) CLS-Class

W219 (2004-2010) (<http://knigaproavto.ru/shemy/en/mercedes/en/mercedes/cls-class/297-2004-2010-mercedes-cls-class-w219-c219-fuse-box-diagram.html>)

W218 (2010-2017) (<http://knigaproavto.ru/shemy/en/mercedes/cls-class/303-2010-2017-mercedes-cls-class-w218-c218-x218-fuse-box-diagram.html>)

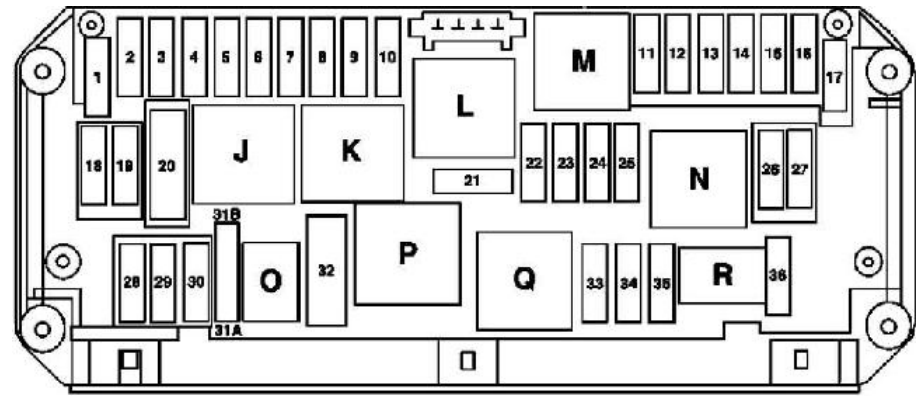


(<http://knigaproavto.ru/shemy/en/mercedes/cls-class/297-2004-2010-mercedes-cls-class-w219-c219-fuse-box-diagram.html>)



(<http://knigaproavto.ru/shemy/en/mercedes/cls-class/303-2010-2017-mercedes-cls-class-w218-c218-x218-fuse-box-diagram.html>)

Fuse box in the engine compartment



(http://fotohostingtv.ru/show.php/18337_knigaproavtoru03025720.jpg.html)

No.	Fused function	A
1	Electronic Stability Program control unit	25
	Premium Electronic Stability Program control unit	
	Blower motor	
	Blower regulator	
2	Left front door control unit	30
3	Right front door control unit	30
4	Valid with engine 157: Fuel system control unit	20
5	Instrument cluster	7.5
	Rear SAM control unit with fuse and relay module Exterior lights switch	
6	Valid for diesel engine: CDI control unit	10
	Valid for gasoline engine: ME-SFI control unit	
7	Starter circuit 50 relay	20
8	Supplemental restraint system control unit	7.5
9	Center console socket	15
10	Wiper motor	30
	Switched via wiper park position heater relay: Wiper park position heater	
11	Audio/COMAND display	7.5
	Audio/COMAND control panel	

12	Automatic climate control control and operating unit Upper control panel control unit Automatic transmission transmission mode button Suspension button group	7.5
13	Steering column tube module control unit Multifunction camera Stereo multifunction camera	7.5
14	Electronic Stability Program control unit Premium Electronic Stability Program control unit	7.5
15	Supplemental restraint system control unit	7.5
16	Valid with engine 157: DIRECT SELECT INTERFACE	5
17	Electrical glass tilting/sliding roof: Overhead control panel control unit	30
18	Analog clock Backup relay	7.5
19	Electronic ignition lock control unit	20
20	Electronic Stability Program control unit Premium Electronic Stability Program control unit	40
21	Brake lights switch Glove compartment lamp switch Front passenger seat occupied recognition and ACSR Weight sensing system (WSS) control unit	7.5
22	Fan motor for internal combustion engine and air conditioning with integrated control Valid for diesel engine: CDI control unit Connector sleeve, circuit 87 Valid for gasoline engine: ME-SFI control unit Connector sleeve, circuit 87 M2e Valid with engine 276: Radiator shutters actuator	15
23	Valid for gasoline engine: Connector sleeve, circuit 87 M1i Valid for diesel engine: CDI control unit Connector sleeve, circuit 87	20
24	Valid for diesel engine: Connector sleeve, circuit 87 Valid for engine 157, 276, 278: Connector sleeve, circuit 87 M1e	15
25	Valid for diesel engine: Oxygen sensor upstream of catalytic converter Valid for gasoline engine: ME-SFI control unit	15
26	Radio Radio with auto pilot system COMAND controller unit	20
27	Valid for gasoline engine: ME-SFI control unit	7.5
	Valid for diesel engine: CDI control unit Electronic ignition lock control unit	
28	Instrument cluster	7.5
29	Right front lamp unit	10
30	Left front lamp unit	10
31A	Switched through the horns relay: Left fanfare horn Right fanfare horn	15
31B	Switched through the horns relay: Left fanfare horn Right fanfare horn	15
32	Secondary air injection relay	-
33	Fully integrated transmission control controller unit	10
34	Fuel system control unit	7.5
35	Spare	-
36	Night View Assist control unit DISTRONIC electric controller unit	7.5
Relay		
J	Circuit 15 relay	
K	Terminal 15R relay	
L	Wiper park heater relay	
M	Starter circuit 50 relay	
N	Engine circuit 87 relay	
O	Horn relay	
P	Spare	

Q	Backup relay
R	Chassis circuit 87 relay

AdChoices

Diagram Fuse Panel

Electrical Schematics

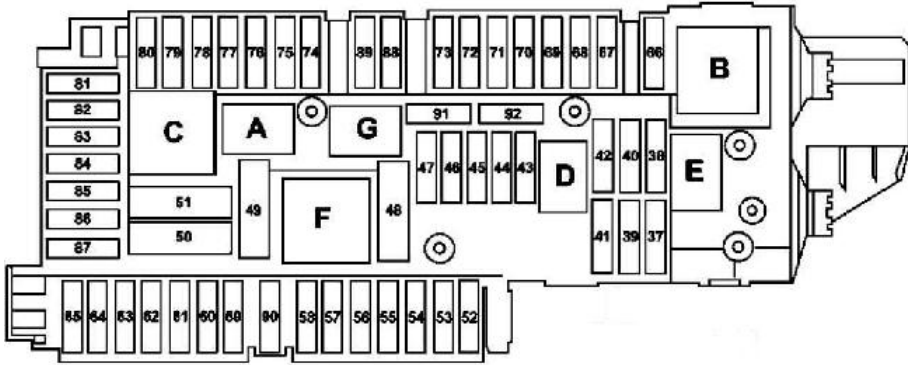
Fuse Box

Electrical Fuses

Circuit Relay Switch

Electrical Switch Box

Fuse box in the trunk



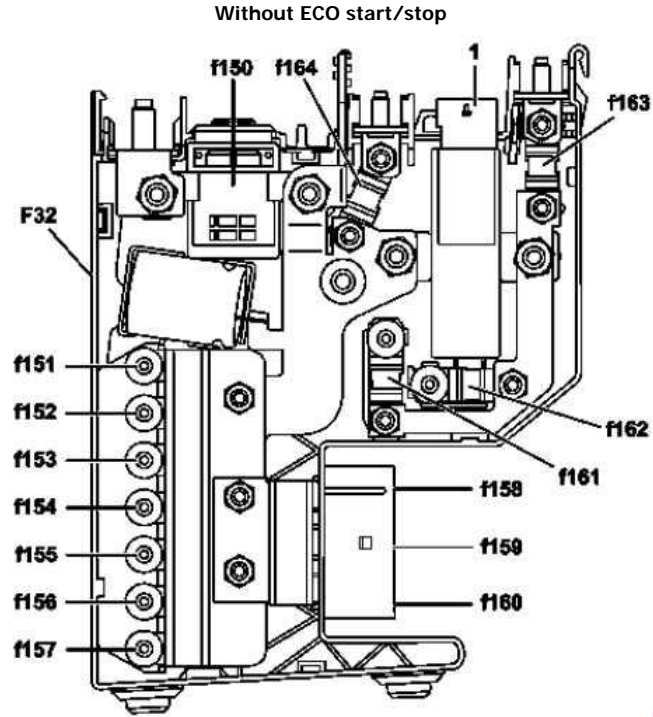
(http://fotohostingtv.ru/show.php/18339_knigaproavtoru03021929.jpg.html)

No.	Fused function	A
37	Driver seat NECK-PRO head restraint solenoid Front passenger seat NECK-PRO head restraint solenoid	7.5
38	Shooting Brake: Connected through liftgate windshield wiper relay: Tailgate wiper motor	15
39	Valid for left-hand drive vehicles: Left rear door control unit Valid for right-hand drive vehicles: Left front door control unit	30
40	Spare	-
41	Valid for left-hand drive vehicles: Right front door control unit Valid for right-hand drive vehicles: Right rear door control unit	30
42	Fuel system control unit	25
43	Valid up to 31.08.2014: Telematics services communications module (Live Traffic Information) Valid as of 01.09.2014: Tire pressure monitor control unit	7.5
44	Front passenger seat adjustment switch	30
45	Driver seat adjustment switch	30
46	Alarm siren (Interior monitoring) Interior protection and tow-away protection control unit (Interior monitoring) Coupe: M 1, AM, CL [ZV] and KEYLESS-GO antenna amplifier Shooting Brake: Rear window antenna amplifier 1 Valid with engine 157, 276, 278 and USA version: Coolant circulation pump relay	7.5
47	Spare	-
48	Spare	-
49	Coupe: Switched through the rear window heater relay: Rear window heater Shooting Brake: Switched through the rear window heater relay: Rear window antenna amplifier 1	40
50	Right front reversible emergency tensioning retractor	50
51	Left front reversible emergency tensioning retractor	50
52	Spare	-
53	Trailer recognition control unit	30
54	Trailer recognition control unit	15
55	Spare	-
56	Trailer socket	15
57	Trailer recognition control unit	25
58	Trailer recognition control unit	25
59	Left front bumper DISTRONIC (DTR) sensor Right front bumper DISTRONIC (DTR) sensor Left rear bumper radar sensor (Active Blind Spot Assist) Right rear bumper radar sensor (Active Blind Spot Assist) Left rear bumper intelligent radar sensor (Blind Spot Assist) Intelligent radar sensor for right rear bumper (Blind Spot Assist)	7.5
60	Multicontour seat pneumatic pump Active multicontour seat pneumatic pump	7.5 30

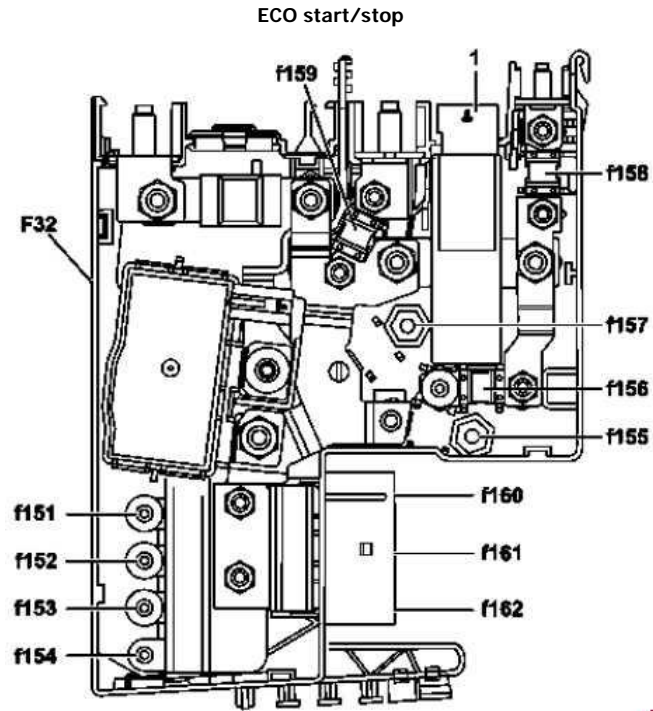
61	Coupe: Trunk lid control (KDS) control unit Shooting Brake: Liftgate control unit	40
62	Driver seat control unit	25
63	Rear seat heater control unit	25
64	Front passenger seat control unit	25
65	Up to 31.05.2012: Steering wheel heater control unit As of 01.06.2012: Steering column tube module control unit	7.5
66	Rear blower motor	7.5
67	Sound system amplifier control unit	40
68	AIRmatic control unit	15
69	Rear bass speaker amplifier	25
70	Tire pressure monitor control unit Valid as of 01.09.2014 with engine 157, 276, 278 without USA version: Coolant circulation pump relay	5
71	Vehicle interior socket, front	15
72	Cargo area socket	15
73	Valid with engine 157: Transmission mode control unit Stationary heater: Stationary heater radio remote control receiver	5
74	KEYLESS-GO control unit Valid as of 01.09.2014: Left front lamp unit Right front lamp unit	15
75	Stationary heater unit Valid as of 01.09.2014: Left front lamp unit Right front lamp unit	20
76	Rear center console socket	15
77	Weight sensing system (WSS) control unit Navigation processor	7.5
78	Media interface control unit	7.5
79	Video and radar sensor system control unit Valid as of 01.09.2014 with Driving assistance package Plus: Radar sensors control unit Chassis gateway control unit	5
80	Parking system control unit	5
81	Cellular telephone system antenna amplifier / compensator Mobile phone electrical connector	5
82	Left front seat ventilation blower regulator Right front seat ventilation blower regulator	7.5
83	Reversing camera Navigation processor Emergency call system control unit	7.5
84	Reversing camera control unit Reversing camera power supply module Reversing camera SDAR/high definition tuner control unit Digital Audio Broadcasting control unit	5
85	TV tuner (analog/digital) Digital TV tuner	7.5
86	Spare	-
87	Emergency call system control unit Valid up to 31.08.2014 with engine 157, 276, 278 without USA version: Coolant circulation pump relay Valid to 31.05.2016 with Live Traffic Information or eCall Europe emergency call system: Telematics services communications module Valid as of 01.06.2016: HERMES control unit Valid as from 01.06.2016 with Comfort telephony and Remote control for stationary heater: Antenna changeover switch for telephone and stationary heater	7.5
88	Intelligent servo module for DIRECT SELECT	15
89	Trailer recognition control unit Valid with engine 157: Fuel system control unit	30
90	Spare	-
91	Spare	-
92	KEYLESS-GO control unit	15
Relay		
A	Circuit 15 relay	
B	Circuit 15R relay (1)	
C	Heated rear window relay	
D	Valid for diesel engine: Fuel pump relay	

E	Shooting Brake: Liftgate windshield wiper relay Electrically adjustable front seats memory package: Seat adjustment relay
G	Circuit 15R relay (2)

Front prefuse box



(http://fotohostingtv.ru/show.php/18342_knigaproavtoru03021623.jpg.html)



(http://fotohostingtv.ru/show.php/18341_knigaproavtoru03021634.jpg.html)

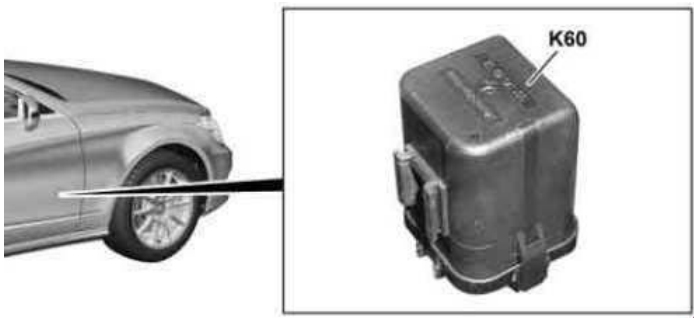


Louisville, KY: This Unbelievable Disrupting A \$200 Billion Indust

No.	Fused function	A
150	ECO start/stop function: Pyrofuse 150	-
151	Electrical power steering control unit	60
152	Front SAM control unit with fuse and relay module	60
153	Spare	100

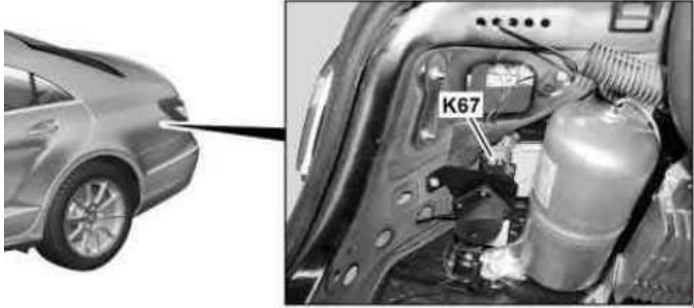
154	Fan motor for internal combustion engine and air conditioning with integrated control (M4/7)	100
155	Valid for diesel engine: PTC heater booster	150
156	Spare	-
157	Front SAM control unit with fuse and relay module	150
158	Valid for left-hand drive vehicles: Blower regulator Valid for right-hand drive vehicles without DISTRONIC PLUS or without engine 157: Electronic Stability Program control unit Valid with right-hand drive vehicles with DISTRONIC PLUS or with engine 157: Premium Electronic Stability Program control unit	50
159	Valid for right-hand drive vehicles without DISTRONIC PLUS or without engine 157: Electronic Stability Program control unit Valid with right-hand drive vehicles with DISTRONIC PLUS or with engine 157: Premium Electronic Stability Program control unit	50
160	AIRmatic relay	60
161	Spare	-
162	Front SAM control unit with fuse and relay module	100
163	Without ECO start/stop function: Rear SAM control unit with fuse and relay module	150
164	Without ECO start/stop: Rear SAM control unit with fuse and relay module	100

Coolant circulation pump relay



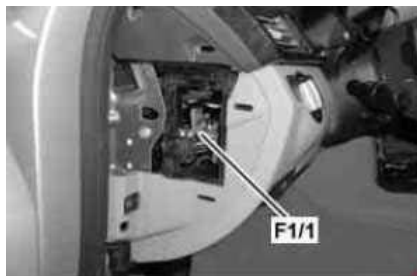
(http://fotohostingtv.ru/show.php/18823_knigaproavtoru05035151.jpg.html)

AIRMATIC relay



(http://fotohostingtv.ru/show.php/18824_knigaproavtoru05035206.jpg.html)

The Instrument Panel Fuse Panel

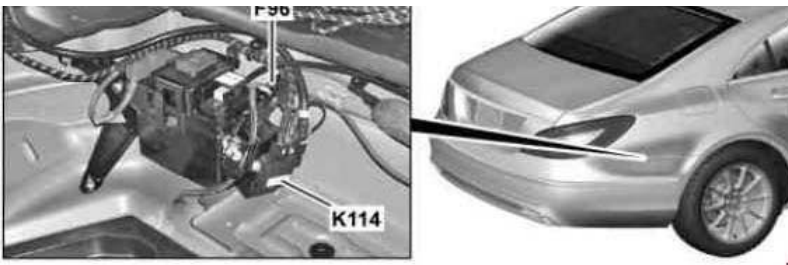


(http://fotohostingtv.ru/show.php/18828_knigaproavtoru05031747.jpg.html)

Fused function		A
Protects the connection between the additional battery and the electronic ignition lock control unit and the front SAM control unit (for engine 276 as of 01.09.2014 or with engine 274)		5

Additional battery relay and fuse





(http://fotohostingtv.ru/show.php/18829_knigaproavtoru05032224.jpg.html)

F96 - Additional battery circuit 30 fuse
K114 - ECO start/stop function additional battery relay

AdChoices

Diagram Fuse Panel	Electrical Schematics	Circuit Relay Switch
Electrical Switch Box	Electrical Panel	2017 Mercedes

1 Free Printable Form

View & Print Your Form Now [findformsfast.com](#)

2 Ask a Mercedes Mechanic - Get an Answer ASAP®

A Mechanic Will Answer in Minutes! Questions Answered Every 9 Seconds. [iustanswer.com/Benz/Mechanic](#)

Shop Related Products



HELLA H84960091 6-Way Lateral Single Fuse Box
<http://aax-us-east.amazon-adssystem.com>
 /x/c/QvhS64H.../miuJQsciXfEA...
 /https://www.amazon.com/HELLA...
 Later: /ref=s...
 /creati...&
 linkId...&e...
 tag=1...&41&
 ref-re...



APDPT 035791 Fuse Box Assembly Battery Mounted w/ New Fuses & ...
<http://aax-us-east.amazon-adssystem.com>
 /x/c/QvhS64H.../miuJQsciXfEA...
 /https://www.amazon.com/APDPT...
 Descrip... agen-
 /dp/B0...
 /ref=sm..._co...
 creativ...MS&
 linkId=...3e9e...
 tag=14...w41&



100 pcs Assorted Auto Car Trunk Standard Blade Fuse
 2,3,5,7,5,10,15,... <http://aax-us-east.amazon-adssystem.com>
 /x/c/QvhS64H.../miuJQsciXfEA...
 /https://www.amazon.com/WSP...
 /As...
 /gpl...
 /pic...
 /ref=... o...
 /adlc... B...
 qual...
 id=4...
 widc... le...



10 Way Blade Fuse Block For Car Truck Boat RV LED Indicator Fuses Box W...
<http://aax-us-east.amazon-adssystem.com>
 /x/c/QvhS64H.../miuJQsciXfEA...
 /https://www.amazon.com/gp/...
 /pic...
 /ref=... o...
 /adlc... B...
 qual...
 id=4...
 widc... le...

ref-refURL=http%3A%2F...
 class%2F303-2010-2017-mercedes-cls-class-w218-c218-fuse-box-diagram.html&slotNum=0&imprToken=429065312475219...
 adType=smart&adMode=auto&adFormat=grid&impressionTimestamp=1522950906&...
 widgetName=sp_syn_a9sb_de...
 url=https%3A%2F...
 %2Fwww.amazon.com%2FOLS-6-Way-Blade-Indicator-Protection%2Fdp%2FB00QMT...
 refURL%3Dhttp%253A%252F...
 class%252F303-2010-2017-mercedes-cls-class-w218-c218-fuse-box-diagram.html%26slotNum%3D...

ref-refURL=http%3A%2F...
 class%2F303-2010-2017-mercedes-cls-class-w218-c218-fuse-box-diagram.html&slotNum=0&imprToken=429065312475219...
 adType=smart&adMode=auto&adFormat=grid&impressionTimestamp=1522950906&...
 widgetName=sp_syn_a9sb_de...
 url=https%3A%2F...
 %2Fwww.amazon.com%2FOLS-6-Way-Blade-Indicator-Protection%2Fdp%2FB00QMT...
 refURL%3Dhttp%253A%252F...
 class%252F303-2010-2017-mercedes-cls-class-w218-c218-fuse-box-diagram.html%26slotNum%3D...

ref-refURL=http%3A%2F...
 class%2F303-2010-2017-mercedes-cls-class-w218-c218-fuse-box-diagram.html&slotNum=0&imprToken=429065312475219...
 adType=smart&adMode=auto&adFormat=grid&impressionTimestamp=1522950906&...
 widgetName=sp_syn_a9sb_de...
 url=https%3A%2F...
 %2Fwww.amazon.com%2FWi...
 Automotive-Assortment-Replacement-Motorcycles%2Fdp%2FB074Z...
 refURL%3Dhttp%253A%252F...
 class%252F303-2010-2017-mercedes-cls-class-w218-c218-fuse-box-diagram.html%26slotNum%3D...

ref-refURL=http%3A%2F...
 class%2F303-2010-2017-mercedes-cls-class-w218-c218-fuse-box-diagram.html&slotNum=0&imprToken=429065312475219...
 adType=smart&adMode=auto&adFormat=grid&impressionTimestamp=1522950906&...
 widgetName=sp_syn_a9sb_de...
 url=https%3A%2F...
 %2Fknigaproavto.ru%2Fshem...
 class%2F303-2010-2017-mercedes-cls-class-w218-c218-fuse-box-diagram.html&slotNum=0&imprToken=429065312475219...
 adType=smart&adMode=auto&adFormat=grid&impressionTimestamp=1522950906&...