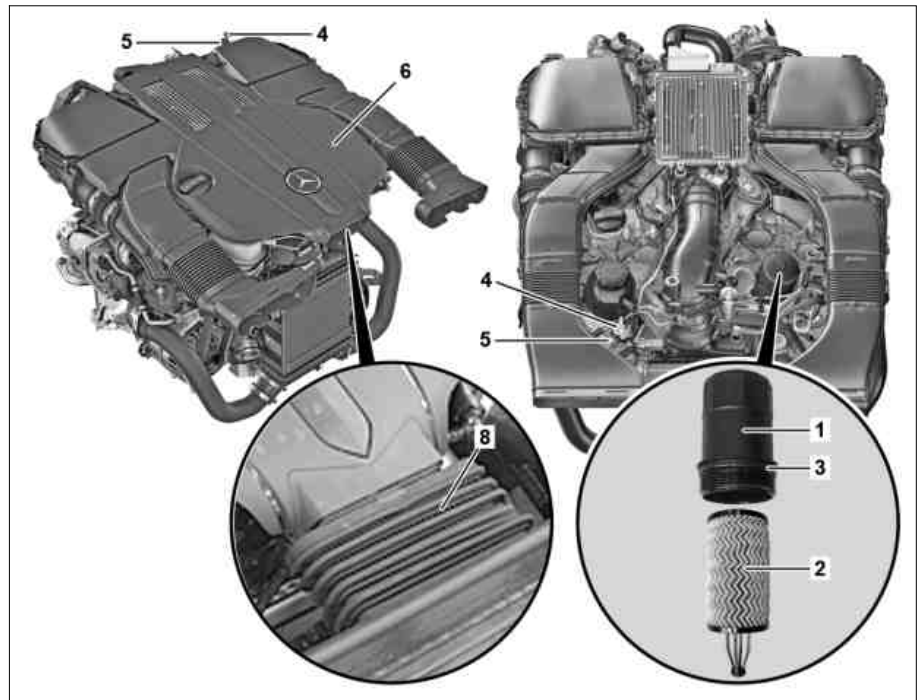


Engine 276 in model 172, 204, 205, 207, 212, 213, 217, 218, 221, 222, 231, 253

Engine 276.8

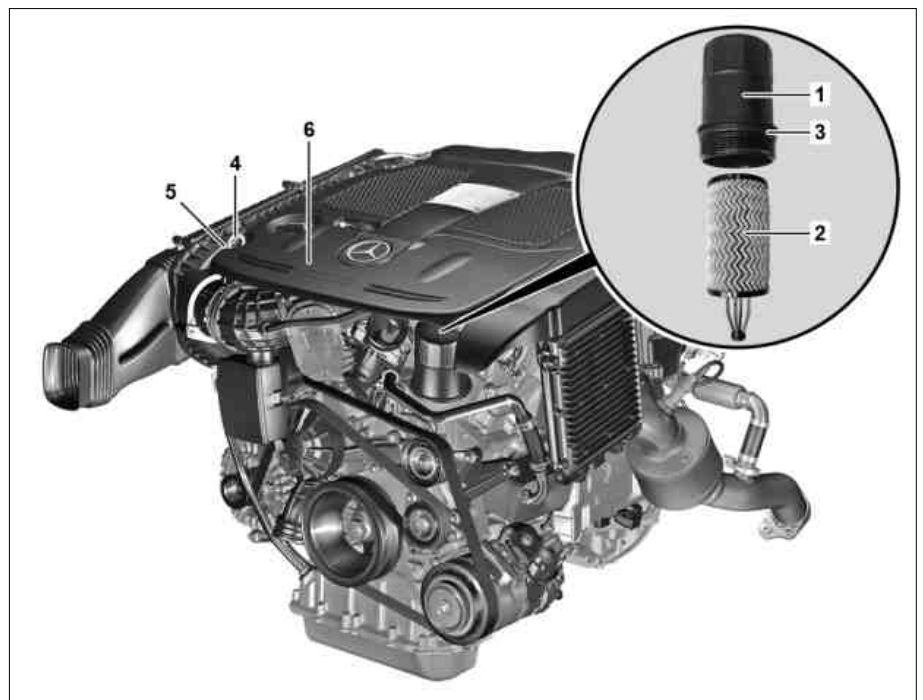
- 1 Oil filter screw-on cover
- 2 Oil filter element
- 3 Sealing ring
- 4 Oil dipstick
- 5 Oil-dipstick guide tube
- 6 Engine cover
- 8 Cold air duct



P18.00-2343-06

ENGINE 276.9

- 1 Oil filter screw-on cover
- 2 Oil filter element
- 3 Sealing ring
- 4 Oil dipstick
- 5 Oil-dipstick guide tube
- 6 Engine cover



P18.00-2344-06

<p>⚠ Danger !</p>	<p>Risk of injury to skin and eyes due to handling of engine oil. Risk of poisoning caused by swallowing engine oil</p>	<p>Wear protective gloves, protective clothing and safety glasses. Do not fill engine oil into beverage containers.</p>	<p>AS18.00-Z-0001-01A</p>
<p>⚠ Danger !</p>	<p>Risk of accident from vehicle starting off by itself when engine running. Risk of injury (bruises and burns) resulting from working on the engine while it is being started or when it is running.</p>	<p>Secure vehicle to prevent it from starting off by itself. Wear closed and snug-fitting work clothes. Do not touch hot or rotating parts.</p>	<p>AS00.00-Z-0005-01A</p>
<p>i</p>	<p>Notes on engine oil and filter changes</p>		<p>AH18.00-P-0104-01A</p>
<p>🗑</p>	<p>Remove</p>		
<p>1</p>	<p>Allow engine to warm up</p>	<p>i Coolant temperature at least 80 °C.</p>	

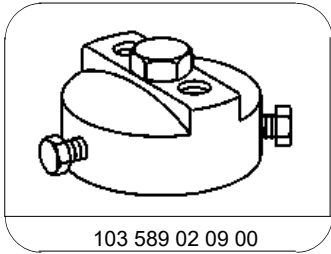
2	Pull oil dipstick (4) out of oil-dipstick guide tube (5) and wipe off using lint-free cloth	The oil dipstick (4) and oil-dipstick guide tube (5) can be located at the front or rear of the engine, depending on the model series involved.	
3	Extract engine oil through oil-dipstick (5) guide tube		
4	Detach cold air duct (8)	If installed	
5	Remove engine cover (6)		
6	Unscrew oil filter threaded cap_(1) using socket	Wrench socket	*103589020900
7	Remove oil filter threaded cap (1)		
8	Replace oil filter element (2)		
9	Replace sealing ring (3)		
	Install		
10	Tighten oil filter threaded cap (1) using socket	Mount, oil filter housing cover Wrench socket	*BA18.20-P-1001-01Y *103589020900
11	Remove engine oil extractor		
12	Insert clean oil dipstick (4) into oil-dipstick guide tube (5)		
13	Pour in engine oil	Use only approved engine oils. Engine damage can occur otherwise. Filling capacityEngine oil	*BF18.00-P-1001-01M
	Check		
14	Run engine until it is at operating temperature, and check for leaktightness	Coolant temperature at least 80 °C. If leaks are present ↓ Determine and rectify cause, subject to separate repair order.	
15	Turn off engine		
16	Check engine oil level using oil dipstick (4); correct if necessary	Insert oil dipstick (4) into the oil-dipstick guide tube (5) until the end stop and hold in for a duration of at least 3 seconds.	AP18.00-P-1811MP
	Install		
17	Install engine cover (6)		
18	Engage cold air duct (8)	If installed	

Oil filter

Number	Designation	Engine 276
BA18.20-P-1001-01Y	Mount, oil filter housing cover	Nm 25

Engine lubrication

Number	Designation	Engine 276.820/822/823/824/825/850/853/950/952/954/956/957/960
BF18.00-P-1001-01M	Engine oil	Oil filling capacity with Liter oil filter
		6,5
		Sheet
		-
		Sheet
		BB00.40-P-0229-05 A
		-
		-



103 589 02 09 00

Wrench socket