

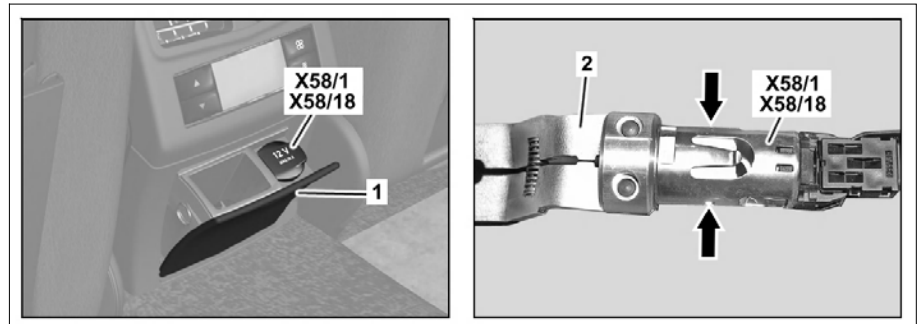
MODEL 204.9

MODEL 212

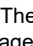

MODEL 218

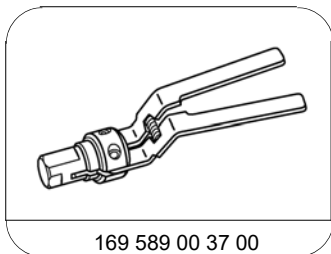
Shown on model 212

- 1 Rear ashtray
 2 Pliers
 X58/1 Vehicle interior socket (MODEL 204.9)
 X58/18 Rear center console socket (MODEL 212, 218)



P54.10-3126-04

☒ ☒	Remove/install		
1.1	Switch off ignition and remove transmitter key from electronic ignition lock control unit	MODEL 204.9 without CODE 889 (KEYLESS-GO) MODEL 212 without CODE 889 (KEYLESS-GO) MODEL 218 without CODE 889 (KEYLESS-GO)	
1.2	Switch off ignition and remove transmitter key or KEYLESS-GO start/stop button from electronic ignition lock control unit	MODEL 204.9 with CODE 889 (KEYLESS-GO) MODEL 212 with CODE 889 (KEYLESS-GO) MODEL 218 with CODE 889 (KEYLESS-GO)	
2	Remove rear ashtray (1)	MODEL 212	
3	Open front stowage compartment in rear center console	MODEL 218	
4	Open flap on rear center console socket (X58/18) or vehicle interior socket (X58/1)		
5	Release and pull out rear center console socket (X58/18) or vehicle interior socket (X58/1) using pliers (2)	<p>i The studs on the  pliers (2) must engage in the cutouts in the housing of the rear center console socket (X58/18) or vehicle interior socket (X58/1) (arrows).</p> <p> Pliers</p>	*169589003700
6	Disconnect electrical connector on rear center console socket (X58/18) or vehicle interior socket (X58/1)		
7	Install in the reverse order		



169 589 00 37 00

Pliers