

**MODEL 218.3**  
without CODE 460 (Canada version)  
without CODE 494 (US version)

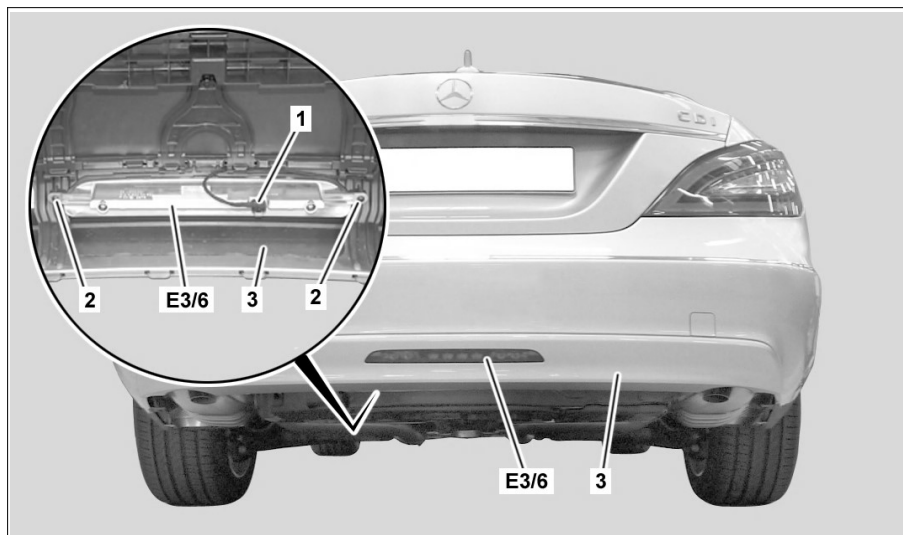
**MODEL 218.974/975/976/992**

### Modification notes

07.10.2014	Lift vehicle on vehicle lift added.	Operation step 1	
------------	-------------------------------------	------------------	--

### Illustrated in model 218.3

- 1 Electrical connector
- 2 Screw
- 3 Bumper
- E3/6 Rear fog lamp



P82.10-6535-05

☒ ☒	Remove/install		
<b>⚠ Danger !</b>	<b>Risk of death</b> caused by vehicle slipping or toppling off of the lifting platform.	Align vehicle between vehicle lift columns and position the four support plates at the vehicle lift support points specified by the vehicle manufacturer.	AS00.00-Z-0010-01A
1	Lift vehicle on vehicle lift		
2	Disconnect electrical connector (1)		
3	Remove bolts (2)		
4	Remove rear fog lamp (E3/6) from bumper (3)		
5	Install in the reverse order		