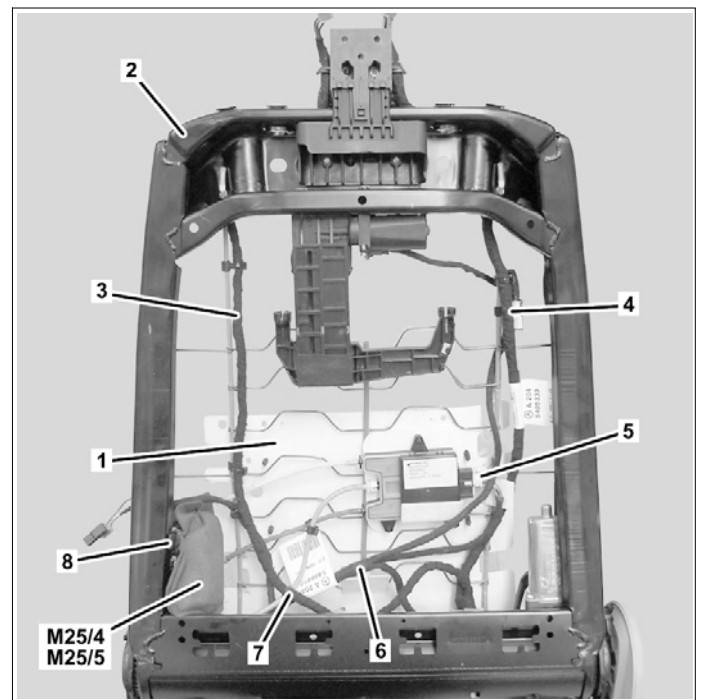


- Model 204.0/2**
with code 242 (Front passenger seat, electrically adjustable with memory function)
with code 275 (Memory Package (driver's seat, steering column and mirror))
except code 409 (Left and right front multicontour seat)
- Model 204.9**
with code 242 (Front passenger seat, electrically adjustable with memory function)
with code 275 (Memory Package (driver's seat, steering column and mirror))
- Model 212, 218**
with code 275 (Memory Package (driver's seat, steering column and mirror))
- Model 463.202/236/237**
as of model year 2010 up to model year 2013
except code SM7 (Left front multicontour seat)
except code SM8 (Front passenger multicontour seat)
- Model 463.222/270/271/303/340/341**
as of model year 2010 up to model year 2013
except code SM7 (Left front multicontour seat)
except code SM8 (Front passenger multicontour seat)
- Model 463.306/336**
as of model year 2010 up to model year 2013
except code SM7 (Left front multicontour seat)
except code SM8 (Front passenger multicontour seat)
- Model 463.346**
up to model year 2013
except code SM7 (Left front multicontour seat)
except code SM8 (Front passenger multicontour seat)
/FACELIFT 2012

Shown on model 204.981, with removed front seat with code (864)
Rear entertainment system

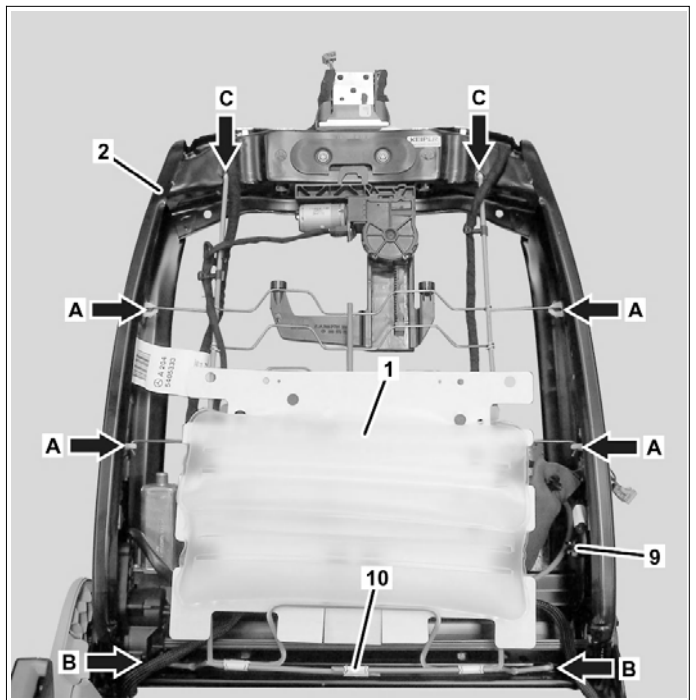
- 1 Air cushion
2 Backrest frame
3 Electrical wiring harness
4 Electrical wiring harness
5 Electrical connector
6 Electrical wiring harness
7 Cable tie
8 Bracket
M25/4 Driver seat lumbar support pneumatic pump
M25/5 Front passenger seat lumbar support pneumatic pump



P91.25-2467-12

Shown on model 204.981, with removed front seat

- 1 Air cushion
- 2 Backrest frame
- 9 Electrical connector
- 10 Wire frame



P91.25-2468-12

	Remove/install		
1.1	Remove cover at backrest	<p>Model 204.9 with code 242 (Front passenger seat, electrically adjustable with memory function) with code 275 (Memory Package (driver's seat, steering column and mirror)) with code 401 (Individual seat)</p> <p>Model 212 with code 275 (Memory Package (driver's seat, steering column and mirror)) with code 401 (Individual seat) with code 409 (Left and right front multicontour seat) with code 432 (Left and right dynamic multicontour seat)</p> <p>Model 218 with code 275 (Memory Package (driver's seat, steering column and mirror)) with code 401 (Individual seat) with code 409 (Left and right front multicontour seat) with code 432 (Left and right dynamic multicontour seat)</p> <p>Model 463.202/236/237 as of model year 2010 up to model year 2013 except code SM7 (Left front multicontour seat) except code SM8 (Front passenger multicontour seat)</p> <p>Model 463.222/270/271/303/340/341 as of model year 2010 up to model year 2013 except code SM7 (Left front multicontour seat) except code SM8 (Front passenger multicontour seat)</p> <p>Model 463.306/336 as of model year 2010 up to model year 2013 except code SM7 (Left front multicontour seat) except code SM8 (Front passenger multicontour seat)</p> <p>Model 463.346 as of model year 2010 up to model year 2013 except code SM7 (Left front multicontour seat) except code SM8 (Front passenger multicontour seat)/FACELIFT 2012</p> <p> Do not remove front seat.</p>	<p>AR91.18-P-1820CX</p> <p>AR91.18-P-1820GP</p>

1.2	Remove front seat backrest padding	Model 204.077/277 Model 204.0/2 with code 242 (Front passenger seat, electrically adjustable with memory function) with code 275 (Memory Package (driver's seat, steering column and mirror)) except code 409 (Left and right front multicontour seat)	AR91.10-P-1095CW
2	Remove seat backrest shell from backrest frame (2)		
3	Remove protective covering from backrest frame (2)		
4	Unclip electrical wiring harnesses (3, 4) from wire frame (10)	i With code (864) Rear entertainment system or code (866) Rear entertainment preinstallation	
5	Disconnect electrical connection (5)		
6	Unclip electrical wiring harness (6) from wire frame (10)		
7	Remove cable ties (7)		
8	Remove bracket (8) of driver seat lumbar support pneumatic pump (M25/4) or front passenger seat lumbar support pneumatic pump (M25/5) from backrest frame (2)		
9	Unclip and disconnect electrical connector (9) from backrest frame (2)		
10	Unhook wire frame (10) from hooks (arrows A) on backrest frame (2)	! Unhook wire frame (10) carefully. Risk of breakage of the hooks (arrows A).	
11	Unhook wire frame (10) from mounting holes (arrows B) in backrest frame (2)		
12	Swivel wire frame (10) upwards and unhook from mounting holes (arrows C) in backrest frame (2)		
13	Remove wire frame (10) with air cushion (1)		
14	Install in the reverse order		