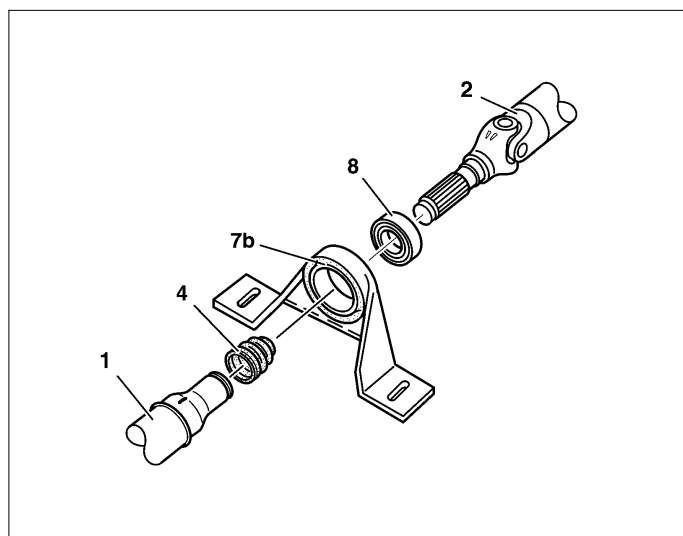


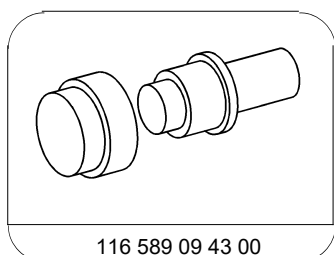
MODEL 204, 207, 212, 218, 231

- 1 Front propeller shaft
- 2 Rear propeller shaft
- 4 Rubber boot
- 7b Rubber bushing
- 8 Grooved ball bearing



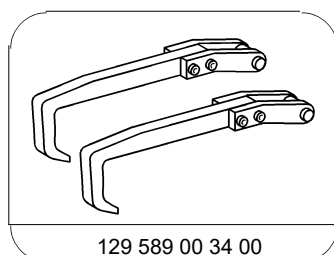
P41.10-2002-11

<b>i</b>	Notes on sensor system for trunk lid opening/closing		AH80.61-P-0001-01A
	<b>Remove/install</b>		
1	Remove propeller shaft	MODEL 204, 207 MODEL 212, 218 MODEL 231	AR41.10-P-0050CW AR41.10-P-0050EW AR41.10-P-0050RK
2	Separate front propeller shaft (1) and rear propeller shaft (2) at the slide connection	<b>i</b> <b>Installation:</b> When fitting the propeller shafts (1, 2) together, make sure that the marks line up with each other. Long-life grease	AR41.10-P-0050-05TX  *BR00.45-Z-1001-06A
3	Pull boot (4) off front propeller shaft (1)	<b>i</b> <b>Installation:</b> Replace damaged rubber boot (4) and ensure that it is seated correctly.	
4	Detach rubber mount (7b) together with grooved ball bearing (8) from rear propeller shaft (2)	Puller, two-arm Puller arms	AR41.10-P-0100-07TX  AR41.10-P-0100-05TX *000589883300 *129589003400
5	Press grooved ball bearing (8) out of rubber mount (7b)	<b>i</b> <b>Installation:</b> Press rubber mount (7b) together with grooved ball bearing (8) onto joint fork of rear propeller shaft (2). Drift Removal and installation tool	AR41.10-P-0100-02TX  *126589031500 *116589094300
6	Install in the reverse order		



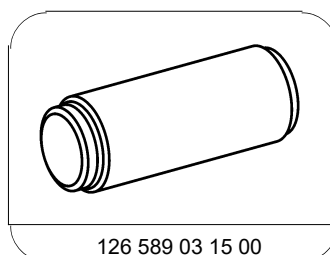
116 589 09 43 00

Removal and installation tool



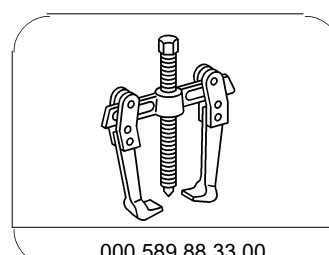
129 589 00 34 00

Puller arms



126 589 03 15 00

Drift



000 589 88 33 00

Puller, two-arm

Repair materials

Number	Designation	Order number
BR00.45-Z-1001-06A	Long-life grease	A 000 989 63 51 11