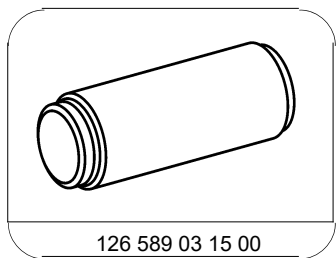
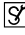



AR41.10-P-0100-05TX	Press rubber mount with grooved ball bearing onto linkage arm		
---------------------	---	--	--

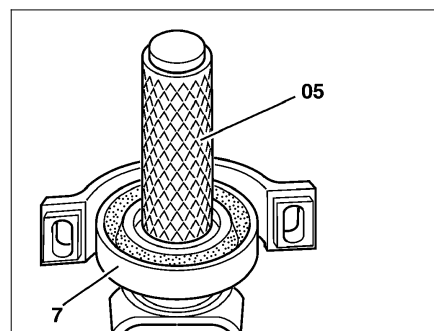
MODEL 172, 204, 207, 212, 218, 219, 231



Drift

- 1 Press rubber mount with grooved ball bearing (7) using  drift (05) onto joint fork of rear drive shaft.

 The open side of the grooved ball bearing (7) must face downwards.



P41.10-0010-01