
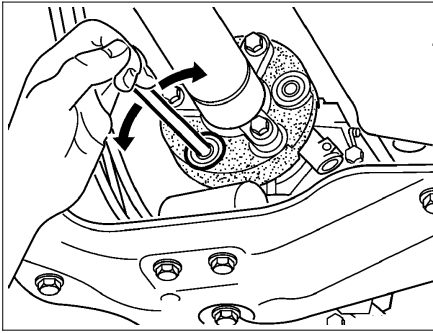


AR41.10-P-0050-09TX	Release fitting sleeves on flex disks		
 WF	Drift for releasing the fitting sleeves in the flexible couplings		WF58.50-P-4110-01A

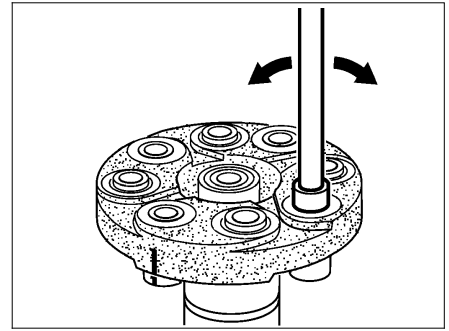
Model 166, 204, 207, 212, 218, 219, 221, 231, 292



P41.10-0030-01

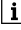
Propeller shaft shown when installed _____

Propeller shaft shown when removed



P41.10-0034-01

- 1 Loosen the fitted sleeves of the flexible couplings at the transmission and rear axle center assembly using the drift (shop-made tool).

 By moving from side to side.