

CLS Coupe



C257

Model Year 2019

Preliminary – Subject to Change

Mercedes-Benz

The best or nothing.





Important note

The information presented in this guide is based on the most current information available and is intended for internal use only. Mercedes-Benz reserves the right to make changes at any time, without notice, to colors, materials, equipment, special specifications and models.

Pricing may not yet be finalized for some models or options.

Due to variances among monitors and printers the colors that appear on your screen and printouts may not be exact.

For illustrative purposes, some images may show vehicles with European Specification.

Revision History

<i>Date</i>	<i>Changes</i>
02/15/18	First preliminary draft of DOG
02/21/18	Updated Option Acoustic Comfort Package (PAF) & Special Order Option Heated Rear Seats (872)
02/23/18	<ul style="list-style-type: none"> • Recommendation to order Active Multicontour Front Seats /w Massage feature (432) and Heated & Ventilated front seats (401) when selecting ENERGIZING Comfort Package (488) • Update Driver Assistance Pkg (997): Extended Restart by Stop & Go
03/28/18	<ul style="list-style-type: none"> • Updated option pricing for soft-close doors (883) • Updated option pricing for <i>designo</i> packages (P62/P87)
04/06/18	Delayed availability due to global constraint of Head-Up Display (463)
04/23/18	Updated Option Packages pricing for AMG Line (321)
04/30/18	<ul style="list-style-type: none"> • Updated option pricing for wheel locks (068) • Updated option pricing for chrome door handle inserts (070) • Added option black mirror housing (11A) • Delayed availability of Mercedes-Benz Accessories Program • Added components to Edition 1 – 12.3” Digital Instrument Cluster (464); Illuminated door sills with “MB” lettering (U25) & 115V AC Power Outlet (U80)
05/07/18	Updated option package for <i>designo</i> Black/ Titanium Grey Pearl (P62) and <i>designo</i> Macchiato Beige/ Titian Red (P87): omission of <i>designo</i> badge on backrest of front and rear seats
05/15/18	<ul style="list-style-type: none"> • Updated option package for <i>designo</i> Black/ Titanium Grey Pearl (P62) and <i>designo</i> Macchiato Beige/ Titian Red (P87): added chrome door pins • Updated Driver Assistance Package (997): added evasive steering assist • Added Edition 1 Exterior Badge (U13) to Edition 1 Package
05/16/18	Added preliminary CLS53 content



CLS 450 & CLS 450 4MATIC



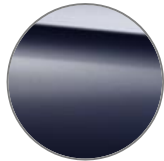
Models



What's new



Standard Equipment



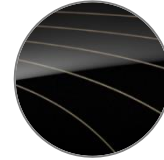
Exterior Paint Colors



Wheels



Interior Upholstery



Interior Trims



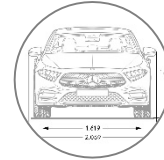
Option Packages



Stand-Alone Options



Options in Detail



Specifications



CLS 450 (257.358)

- MSRP \$tbd
- 3.0L inline-6 turbo engine with EQ Boost
- Horsepower 362 hp
- Torque 369 lb-ft
- EQ Boost outputs 21hp and up to 184 lb-ft
- 5.1 sec est. (0-60 mph)
- Launch date: Summer 2018



CLS 450 4MATIC (257.359)

- MSRP \$tbd
- 3.0L inline-6 turbo engine with EQ Boost
- Horsepower 362 hp
- Torque 369 lb-ft
- EQ Boost outputs 21hp and up to 184 lb-ft
- 4.8 sec est. (0-60 mph)
- Launch date: Summer 2018



Exterior Comparison MY18 (C218) vs. M19 (C257)





Interior Comparison M18 (C218) vs. M19 (C257)



Picture shows optional Equipment



Picture shows optional Equipment



Exterior Highlights





Interior Highlights



Trims w/ new matching center console



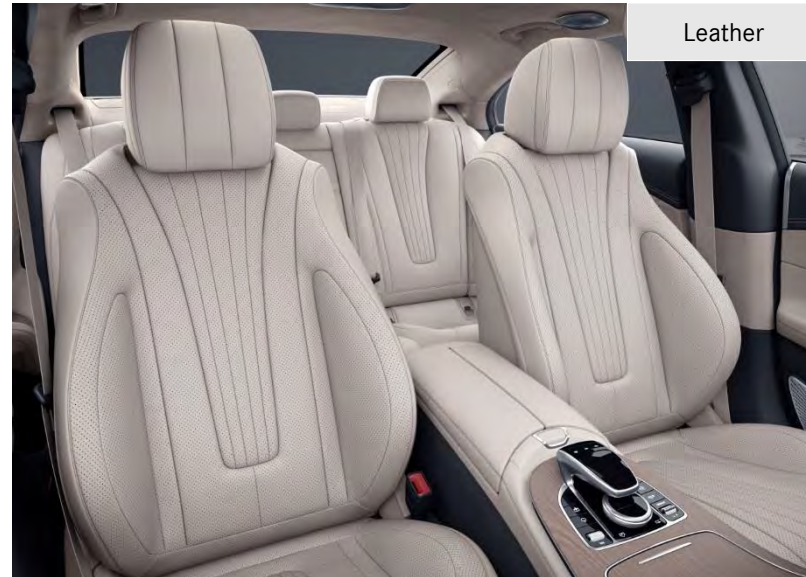
Illuminated air vents show a change in temperature settings as well as a chosen ambient lighting color



New Natural Grain Grey Ash wood trim w/ matching center console



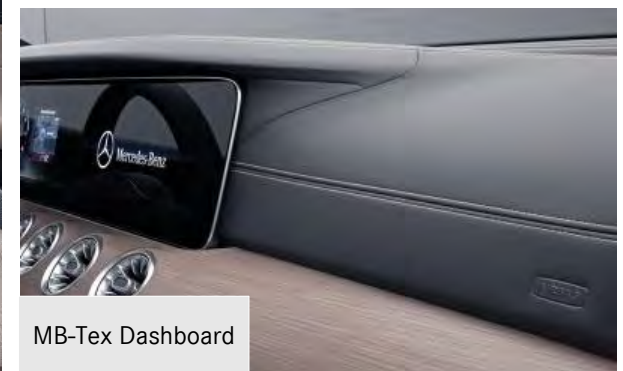
3-passenger seating in rear



Leather



Touchpad controller



MB-Tex Dashboard



Exterior

- All-new exterior design
- New Wheel designs

Interior

- All-new interior design
- New illuminated air vent design
- New Upholstery designs
- New *designo*® interior packages
- New trims w/ matching center console
- New generation steering wheels with touch buttons

Standard Equipment

- New 3.0L inline-6 turbo engine with EQ Boost, 362 hp, 369 lb-ft
- EQ Boost outputs 21hp

Optional Equipment

- New Packaging strategy
- AIR BODY CONTROL air suspension
- Head-Up Display
- Warmth and Comfort Package
- Intelligent Light System with Ultra Wide Beam headlamps
- ENERGIZING Comfort Package
- Changes in rim portfolio
- New, Safety Systems included within Driver Assistance Package
 - Active Brake Assist w/Cross-Traffic Function
 - Evasive Steering Assist
 - Intelligent Drive systems:
 - Active Distance Assist DISTRONIC® w/ Active Steering Assist
 - Active Emergency Stop Assist
 - Active Lane Change Assist
 - Active Speed Limit Assist
 - PRE-SAFE® Impulse Side



Headlamps



LED Headlamps (632)

Standard

- Very good illumination of the road.
- Unmistakable look by day or night
- Long operating life – on average 10,000 hours
- Low dazzle
- Color spectrum close to natural daylight
- Low energy consumption



LED Intelligent Light System w/ Ultra Wide Beam

Optional \$800

Requires Exterior Lighting Package (319)

- Advanced LED headlamps and Ultra Wide Beam high beams
- Ultra Wide Beam produce light at an increased width for maximum illumination of the road and surround area
- Clear improvement of the already great lighting performance of the LED Intelligent Light System
- Adaptive Highbeam Assist is also part of the LED Intelligent Light System and allows drivers to drive with activated main beams without dazzling other road users





Steering Wheel



3-spoke Nappa Leather Multifunction Steering Wheel (L3B)

The newly redesigned 3-spoke multifunction steering wheel in nappa leather combines a sporty design, compact dimensions and fine materials.

- Steering wheel shift paddles integrated into the back of the steering wheel cross spokes enable manual gear shifting and support a sporty driving style.
- Steering wheel shift paddles in the steering wheel color.
- Optional Active Distance Assist DISTRONIC® or standard cruise control is controlled via steering wheel-mounted controls.
- Touch Control buttons for direct control of the instrument cluster (analogue or digital) and to control the functions of the multimedia system.



Touchpad controller (448)



Touchpad controller (448)

Standard on all CLS models

The functions of COMAND® navigation can be controlled intuitively via the innovative touchpad, using single or multi-finger gestures (multi-touch):

- Touchpad approx. 2.56 x 1.77 inches in size
- Additional full-fledged input option supplementing the COMAND® central controller, Touch Control Buttons on the steering wheel and voice control
- Recognizes single and multi-finger gestures (multi-touch), swiping movements and zoom gestures achieved by spreading the fingers or pinching them together
- Innovative handwriting recognition feature: Users are able to input letters, special characters and numbers in their normal handwriting, in any language available in the headunit
- 3 buttons located on the touchpad allow fast and direct operation of important functions
- Clear haptic feedback when using the touchpad or keys



Head-Up Display (463) !



Head-Up Display (463)

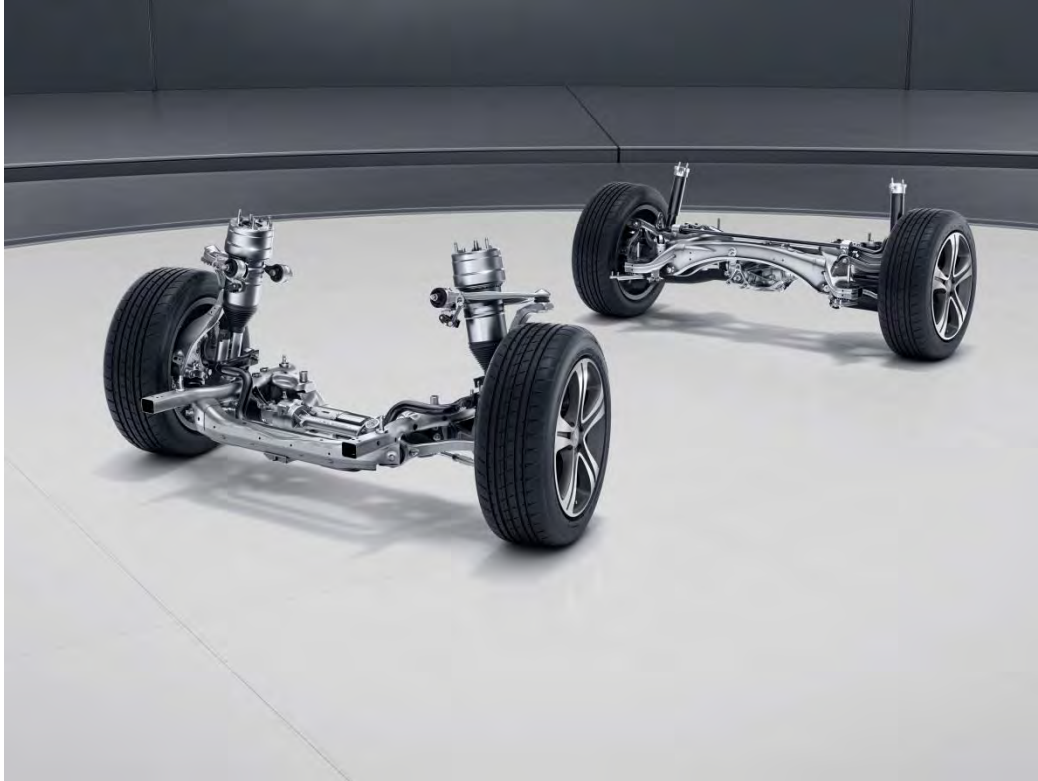
Option Price: \$990

The Head-Up Display at a glance:

- Key driver information at a glance (e.g. navigation tips, incoming calls, speed, settings for cruise control, assistance system messages) without the driver having to take their eyes off the road
- Projection of a virtual image measuring approx. 8.3 x 2.8 inches into the driver's field of vision, which appears to float around 78.7 inches in front
- Presentation of information in high-resolution and in color, making it clearly legible even on sunny days and at night
- Height position of the image, brightness and displayed content can be changed individually via a menu in the instrument cluster



AIR BODY CONTROL (489)



AIR BODY CONTROL air suspension (489)

Option Price: \$1,900

- Multi-chamber air suspension combined with continuously adjustable damping to improve ride comfort and driving dynamics
- Vehicle characteristics can be varied from comfortable through to sporty using DYNAMIC SELECT switch
- "Comfort" and "Sport" settings for a more comfortable or stiffer, sportier setup
- Constant vehicle level irrespective of load thanks to pneumatic all-round self-levelling suspension
- Suspension level can be raised for poor surfaces and is automatically lowered at high speeds, helping to reduce aerodynamic drag and further improve handling stability



Burmester® Surround Sound System (810)



Burmester® Surround Sound System (810)

Included in Premium Package (P01)

- 13 high-performance speakers precisely configured for the vehicle interior to ensure well-balanced and very dynamic music reproduction
- 9-channel DSP amplifier with a total output of 590 watts (7 x 50 W and 2 x 120 W) for maximum sound quality with very high volume reserves
- Frontbass® technology with woofers integrated into the dash for vibrant bass reproduction
- Combination of digital and analogue filter elements for the unique Burmester® "feel-good sound"
- Sound optimization for the front and rear seats
- Noise compensation (VNC)
- Sound preset: surround function to generate virtual all-round sound
- Support for popular multi-channel formats such as Dolby Digital 5.1/DTS for example, for true surround sound



Rear Seat Entertainment and Comfort Adapter (866)



Rear Seat Entertainment and Comfort Adapter (866)

Option Price: \$170

The new code 866 is a slot in the backrest of the front driver and passenger seats with a plug-in adapter. Several rear seat entertainment and comfort accessories work in conjunction with this adapter. Accessories must be purchased separately.





Ambient lighting with 64 colors



Ambient lighting with 64 colors and 3 color zones (891)

Standard on all CLS models

- The ambient lighting in 64 colors gives the light a uniquely diverse style and showcases the interior like a work of art.
- Every display style of the widescreen cockpit is oriented towards a matching color scheme: "Glacier Blue" for Classic, "Red Moon" for Sport, "Down Blue" for Progressive
- Eight color schemes consist of two colors respectively – the display and the footwell are in the same color, and the trim level forms a contrast.
- Two further color schemes each contain five colors – these divide the vehicle into the levels "upper display and roofline", "lower display", "feature line (trim)", "center console and cup holder" and also "footwell".
- The colors are either static or slowly replace each other in Dynamic mode, as required, to produce a constant, pleasant change of color.
- All 64 lights can also be individually selected – for maximum individual illumination of the interior.
- Special emotively appealing effects: A Coming Home visualization welcomes the driver, and the climate control indicates in color via the ambient lighting whether a warmer or colder temperature is being set.
- Just as variably adjustable is the brightness of the LEDs, with five levels and four zones: widescreen cockpit, area of the front seats, rear plus complete dimming zone.
- Illuminated air vents show whether the temperature has been set hotter or colder and can also be set in the desired color from a choice of 64 options.
- The ambient lighting is incorporated in the ENERGIZING Comfort programs.



Inductive Wireless Charging w/ NFC Pairing (897)



Inductive Wireless Charging w/ NFC Pairing (897)

Included in Premium Package (P01)

- Pairing to the headunit via NFC
- Wireless charging of smartphones that support the Qi wireless charging standard
 - For charging, place the smartphone in the front storage compartment in the center console
 - Storage compartment designed for mobile phones with a screen diagonal of up to 6 inches

ENERGIZING Comfort Package (P72)



ENERGIZING Comfort Package (488)

Option Price: \$550

Recommended w/ 432 Active Multicontour Front Seats w/ Massage Feature and 401 Heated and Ventilated Front Seats

- ENERGIZING Comfort is a world-first entering series production to enhance the physical comfort and performance both while driving and during breaks
- It systematically uses the functions of the climate control system (including fragrancing) and the seats (heater, ventilation, massage – when ordered w/ Code 432), the console heating as well as lighting and musical atmospheres, and enables a specific wellness set-up tailored to the mood and need of the driver
- The following six Energizing Comfort programs can be selected: Freshness, Warmth, Vitality, Joy, Comfort, Training (three trainings – muscle relaxation, muscle activation and balance – each with several exercises)
- Each program runs for ten minutes and are visualized on the headunit with color graphics, and backed by suitable music
- Five songs are already stored in the program and if personal music selections are available, for example via the Media Interface, the system analyzes them in the background and assigns them to a program based on the beats per minute (bpm)
- ENERGIZING Comfort also incorporates ambient lighting, which is harmoniously tailored to each of the individual screen designs



Mercedes-Benz 3.0L Inline-6 Turbo Engine w/ EQ Boost



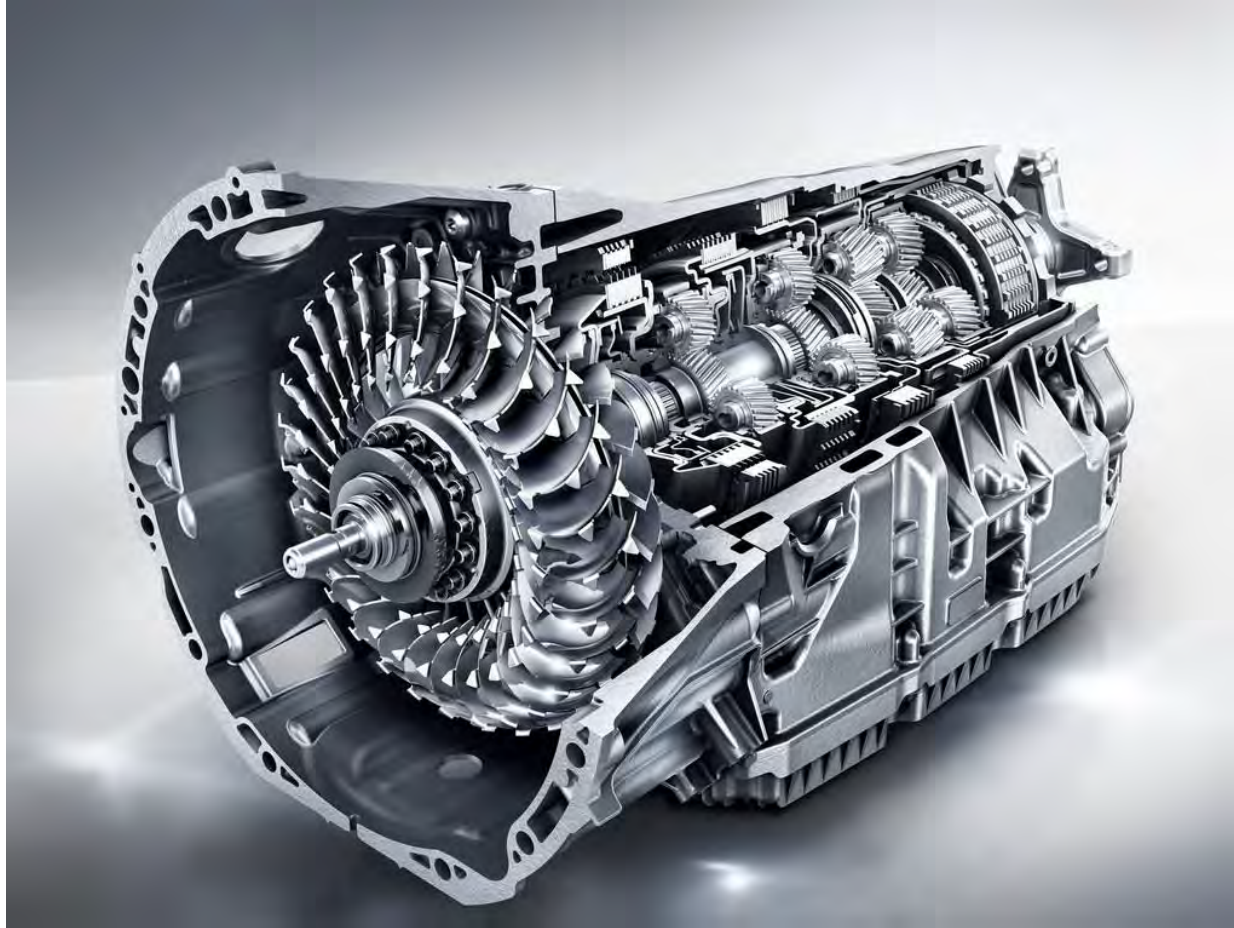
Mercedes-Benz 3.0L Inline-6 Turbo Engine w/ EQ Boost

Systematically electrified for an outstanding driving experience – the Integrated Starter-Generator boosts and recovers energy, while supplying additional power. The inline six-cylinder engine is both smooth and powerful even on its own – with impressive fuel consumption.

- Systematically lightweight design with reduced friction
- Sophisticated acoustic cladding for quieter operation
- Fully beltless engine
- Incredibly efficient design with impressive acceleration and power
- Twin-scroll turbocharger
- Engine mounts reduce vibration
- Petrol particulate filter reduces minute soot particles significantly below even the most stringent limits
- Electric A/C compressor and water pump
- 48V lithium-ion battery with a capacity of almost 1kWh
 - Able to start the engine and charge the 12V battery
 - Supplies additional torque and horsepower at a range of RPMs and with limited to no lag in power delivery
- Innovation of engine being switched off during coasting. In case of load demand, the engine is switched on by the Integrated Starter Generator which is barely noticeable for the driver.



9G-TRONIC Automatic Transmission (421)



9G-TRONIC 9-Speed Automatic Transmission (421)

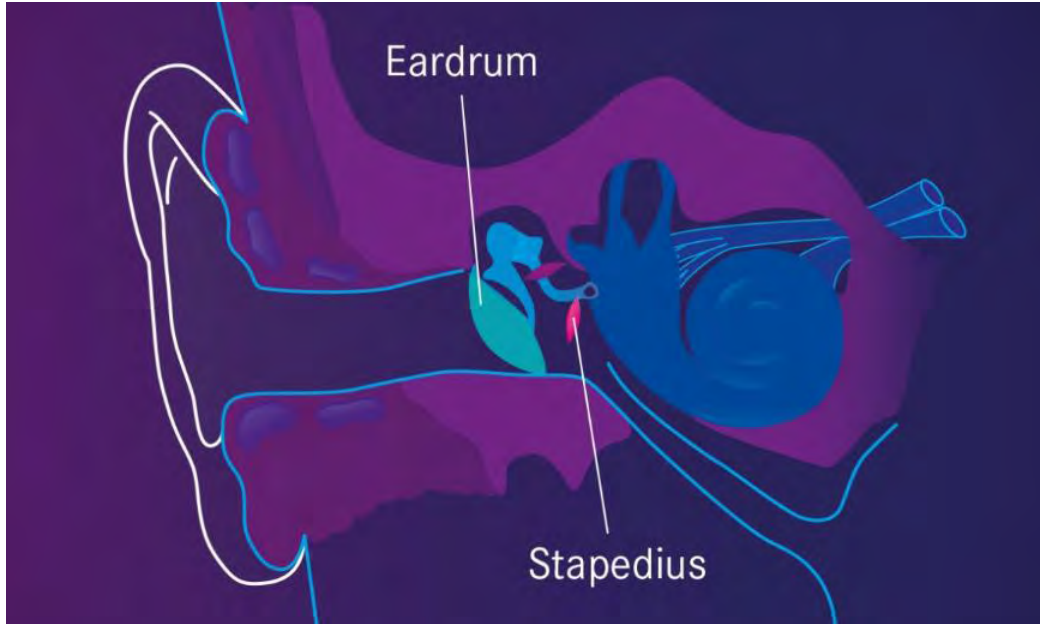
Standard on all CLS models

9G-TRONIC – faster, smoother, more efficient

Featuring nine forward gears, this automatic transmission takes efficiency, comfort and dynamism to a completely new level. It is the new generation 9-speed automatic transmission with hydrodynamic torque converter in the premium segment. The larger ratio range allows a reduction in engine speed. Performance remains excellent while ride comfort is enhanced and noise levels are reduced. The reduced intervals between the gears lead to faster gear changes and enhanced spontaneity and agility. At the same time, the 9G-TRONIC transmission impresses with smooth, barely perceptible gear shifting like that of a continuously variable transmission. As the 9G-TRONIC transmission is able to skip individual gears, multiple downshifts are possible for fast and powerful sprints.



PRE-SAFE Sound



PRE-SAFE® Sound

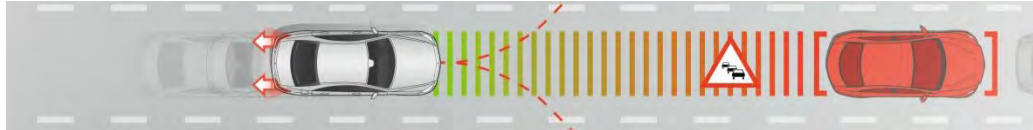
Standard on all CLS models

Part of PRE-SAFE, PRE-SAFE Sound is an acoustic occupant preconditioning system which can reduce the effects of the noise from an accident on the occupants hearing.

- When the PRE-SAFE system recognizes a certain dangerous situation, the onboard sound system plays a brief rushing sound, also known as 'Pink Noise', to precondition the hearing
- The natural reflex mechanism of the stapedius muscle enables the inner ear to rapidly prepare for the accident-induced high pressure sound
- Up to 40% reduction of noise exposure impact



Active Brake Assist



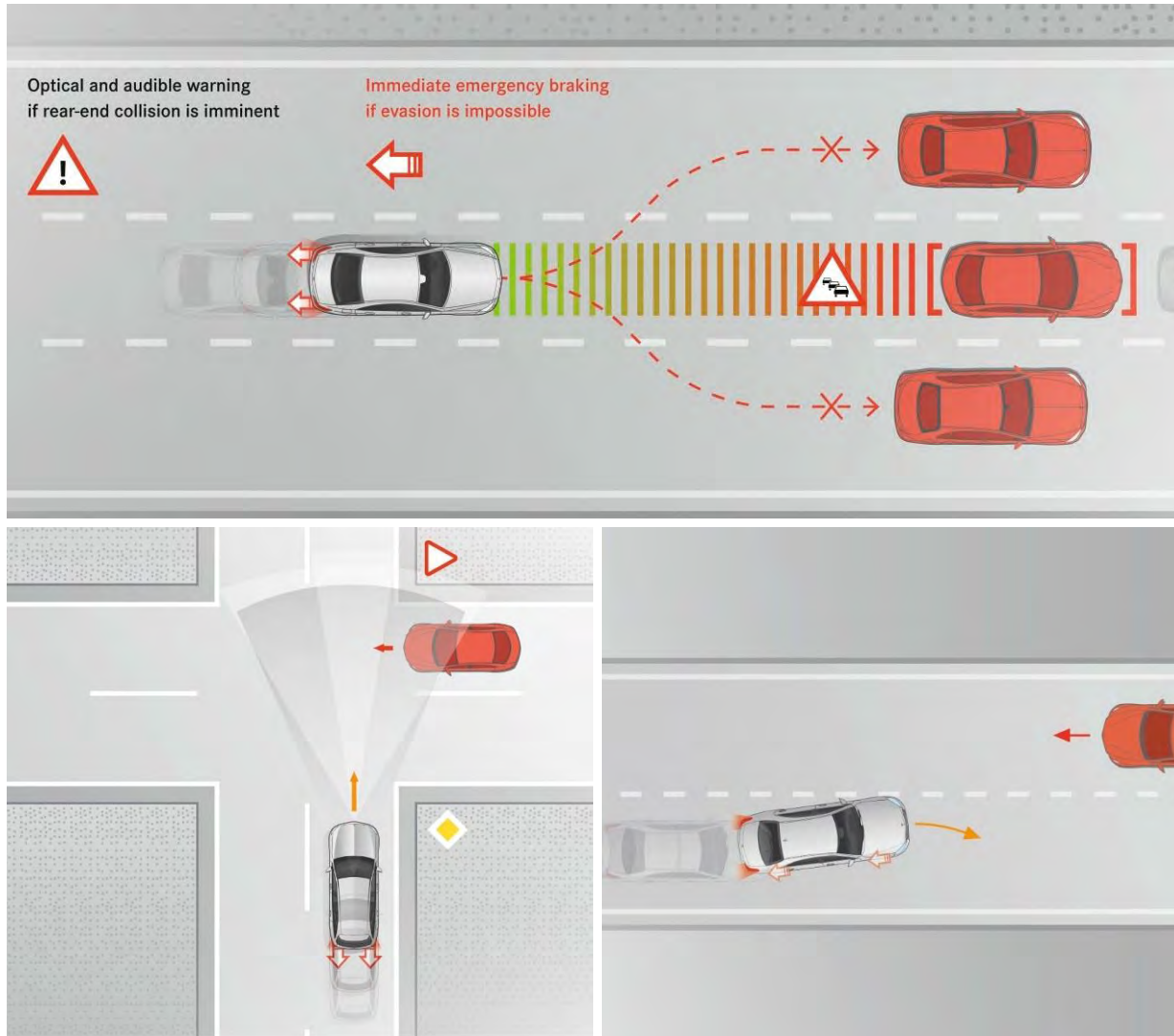
Active Brake Assist (258)

Standard on all models

- Radar-based driving assistance system that can help prevent accidents with vehicles ahead and with crossing pedestrians or mitigate the consequences of accidents
- Combination of proximity warning, collision warning, on-demand braking assistance and autonomous braking function
- Additional audible warning if the distance diminishes rapidly
- If the driver initiates emergency braking – if necessary – increase in braking pressure by the on-demand braking assistance
- Initiation of autonomous braking if the driver fails to react
- Visual and audible warning plus almost simultaneous emergency braking if an impending collision with a crossing pedestrian is detected



Driver Assistance Package



Driver Assistance Package (997)

Option price: \$2,250

- **Active Distance Assist DISTRONIC®** is able to follow a vehicle in front at a pre-selected distance at wider range of speeds.
- **Active Steering Assist** functions at a wider range of speeds and can now actively intervene even if road lines are unclear or non-existent at certain speeds; can now function in curves with a tighter radius.
- **Active Emergency Stop Assist** brakes the vehicle to a standstill in its lane if it detects that the driver is no longer actively driving the vehicle while it is on the move with Active Distance Assist DISTRONIC and Active Steering Assist engaged. Can now unlock the doors when the vehicle is stationary to allow first aid responders immediate access to the vehicle's interior.
- **Active Lane Change Assist** is a radar-and-camera-based system that aids the driver when changing lanes. When a turn is indicated, this feature will aid with steering into the adjacent lane if it detects the lane is empty.
- **Active Speed Limit Assist** can adapt vehicle speed to identified speed limits and can now adjust preemptively when speed limits are going to change.
- **Route-Based Speed Adaptation** the vehicle is now able to reduce the speed in anticipatory mode by referencing the COMAND map data ahead of bends, junctions, roundabouts, toll booths and exit roads.
- **Active Brake Assist with Cross-Traffic Function**
- **Evasive Steering Assist** this system assists by adding calculated steering torque to aid in steering wheel movement when a driver deliberately or instinctively performs an evasive maneuver around a pedestrian.
- **Active Blind Spot Assist** is active at a wider range of speeds and informs the driver to help avoid an imminent side impact by single-sided braking.
- **Active Lane Keeping Assist** is active now at a wider range of speeds.
- **PRE-SAFE® Impulse Side** see next slide



Mercedes-Benz Intelligent Drive - PRE-SAFE® Impulse Side



Mercedes-Benz Intelligent Drive - PRE-SAFE® Impulse Side

Included in Driver Assistance Package (997)

- PRE-SAFE® Impulse Side initiates preventative protective measures against an impending side impact, supplementing the measures taken by PRE-SAFE® and PRE-SAFE® PLUS
- In the event of a side impact, PRE-SAFE® Impulse Side can have a positive effect by increasing the distance between the occupant and the door, and at the same time reducing the relative speeds between the side structure and the occupant's torso
- In the event of a recognized, unavoidable side collision, the system can give the driver or front passenger a slight push towards the center of the vehicle on the side facing the impact
- This lateral impulse is initiated by very rapid inflation of an air chamber in the seat bolster





Edition 1



Models: CLS 450 (130 units)/ CLS 450 4M (130 units)

Edition Content:

- 321 - AMG Line Package
- RVR - 20" AMG Multi-spoke wheels w/ Black Accents, High-Performance Tires (CLS 450)
- RRF - 19" AMG 5-Spoke Wheels, All-Season Tires (CLS 450 4MATIC)
- P01 - Premium Package (incl. 810 - Burmester® Surround Sound System)
- 319 - Exterior Lighting Package
- 997 - Driver Assistance Package
- 401 - Heated & Ventilated front seats
- 540 - Power rear-window sunshade
- 866 - Rear Seat Entertainment & Comfort Adapter
- 443 - Heated steering wheel (CLS 450 4M only)
- 996 - Parking Assistance Package
- B67 - Vehicle key in high-gloss black/ high-gloss chrome
- 464 - 12.3" Digital Instrument Cluster
- U25 - Illuminated door sills with "Mercedes-Benz" lettering
- U80 - 115V AC Power Outlet

Edition Exclusive Content:

- P19 - Edition 1 Package code
- 831 - Graphite Grey Metallic Paint (Edition Exclusive for MY19)
- 736+737 - Natural Grain Black Ash wood w/ matching center console (Edition exclusive)
- 511A - *designo* Black Pearl Copper Nappa Leather w/ diamond stitching and Black Headliner (51U)
- U38 - Nappa Leather Dashboard w/ contrasting topstitching
- U66 - Edition 1 Floor Mats
- U13 - Edition 1 Exterior Badge



Performance & Handling

- 9G-TRONIC 9-Speed Automatic Transmission
- New 3.0L inline-6 turbo engine with EQ Boost, 362 hp & 369 lb-ft
- EQ Boost outputs 21 hp
- 19" MB wheels
- AMG Body Styling
- DYNAMIC SELECT driving programs
- Lowered suspension with selective damping
- Sport Exhaust System

Comfort & Convenience

- 12.3" COMAND display
- Mercedes me connect
- 64-Color Ambient Lighting
- Auto-Dimming Driver-Side and Rearview Mirrors
- Bluetooth® Connectivity
- Double Sun Visors
- Dual Zone Automatic Climate Control
- COMAND® Navigation System
- HomeLink® Garage door opener
- Heated Washer System (4MATIC only)
- KEYLESS-START
- Leather upholstery with MB-Tex dashboard w/ stitching
- Memory package (Driver & Passenger Seat)
- Power front seats with 3-position memory and 4-way lumbar support
- Power Folding Mirrors
- Power Tilt/Sliding Sunroof
- Rearview camera
- Smartphone integration with Apple CarPlay™ & Android Auto
- Split folding rear seats (40/20/40)
- Steering wheel with Touch Control Buttons
- Storage Package
- Touchpad w/ COMAND controller

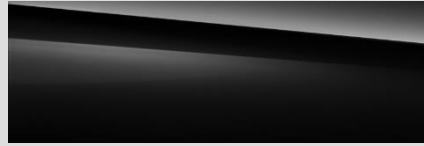
Safety & Security

- Active Brake Assist
- ATTENTION ASSIST®
- Car-to-X Communication
- Crosswind Assist
- LED headlamps/ taillamps
- PRE-SAFE®
- PRE-SAFE Sound
- Tire pressure monitoring system

Exterior Paint Colors



Non-metallic Paints

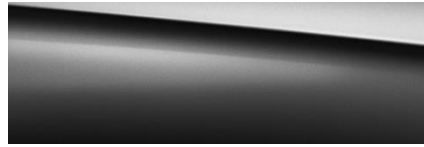


040
Black
Option price: \$0

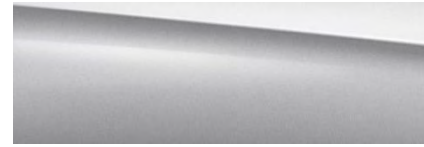


149
Polar White
Option price: \$0

Metallic Paints



197
Obsidian Black
Option price: \$720



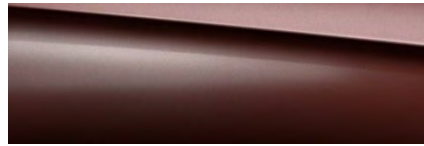
775
Iridium Silver
Option price: \$720



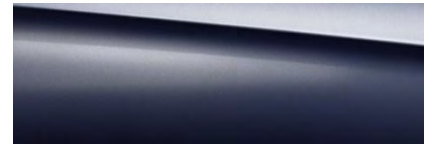
992
Selenite Grey
Option price: \$720



796
Dakota Brown
Option price: \$720



897
Ruby Black
Option price: \$720



890
Lunar blue
Option price: \$720

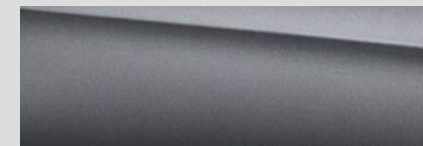
designo[®] Paints



996
Cardinal Red Metallic
Option price: \$1,080



799
Diamond White Bright
Option price: \$1,515



297
Selenite Grey Magno
Option price: \$3,950



11R
19" Twin Multi-Spoke Wheels
R02, R66
Standard

49R
19" 5-Spoke Wheels
R02, R66
Option price: \$0

RRE
19" AMG Twin 5-Spoke Wheels
R02, R66
Option price: \$0
Requires AMG Line (321)

RVO
20" AMG Multi-Spoke Wheels
R01, R06 & R66
Option price: \$750
Requires AMG Line (321)



<i>Code</i>	<i>Wheel Size</i>	<i>Description</i>	<i>Wheel Dimensions</i>		<i>Mobility</i>	<i>Availability</i>	<i>MSRP</i>
11R	19"	Twin Multi-Spoke Wheels	245/40 R19 on 8 J x 19 ET 33 275/35 R19 on 9 J x 19 ET 33	(Front) (Rear)	R02, R66	CLS 450 CLS 450 4MATIC	\$ 0 <i>Standard</i>
49R	19"	5-Spoke Wheels	245/40 R19 on 8 J x 19 ET33 275/35 R19 on 9 J x 19 ET33	(Front) (Rear)	R02, R66	CLS 450 CLS 450 4MATIC	\$ 0
RRE	19"	AMG Twin 5-Spoke Wheels	245/40 R19 on 8 J x 19 ET33 275/35 R19 on 9 J x 19 ET28	(Front) (Rear)	R02, R66	CLS 450 CLS 450 4MATIC	\$ 0 <i>Requires AMG Line (321)</i>
RVO	20"	AMG Multi-Spoke Wheels	245/35 R20 on 8 J x 20 ET33 275/30 R20 on 9 J x 20 ET28	(Front) (Rear)	R01, R66	CLS 450 CLS 450 4MATIC	\$ 750 <i>Requires AMG Line (321)</i>

Interior Upholstery – Leather



201
Black

Standard

Crystal Grey (58U) or Black (51U) Headliner



204

Marsala Brown & Espresso Brown

Standard

Beige Headliner (55U)



205

Macchiato Beige & Magma Grey

Standard

Beige Headliner (55U)



208

Magma Grey & Espresso Brown;

Standard

Black Headliner (51U)



Interior Upholstery – Nappa Leather



801
Black

Option price: \$1,370
Crystal Grey (58U) or Black (51U) Headliner



804
Marsala Brown & Espresso Brown

Option price: \$1,370
Beige Headliner (55U)



805
Macchiato Beige & Magma Grey

Option price: \$1,370
Beige Headliner (55U)



808
Magma Grey & Espresso Brown

Option price: \$1,370
Black Headliner (51U)



Interior Upholstery – *designo* Nappa Leather



951

designo Black & Titanium Grey Pearl

Option price: \$4,900

Requires P62 Package

*Includes **designo** Black DINAMICA Headliner (61U)*



955

designo Macchiato Beige & Titian Red

Option price: \$4,900

Requires P87 Package

*Includes **designo** Macchiato Beige DINAMICA Headliner (65U)*

Interior Upholstery



<i>Code</i>	<i>Upholstery</i>	<i>Seats</i>	<i>Floor Mats</i>	<i>Upper Dash/Lower Dash</i>	<i>Seat Belts</i>	<i>Steering Wheel</i>	<i>Headliner</i>
201 ¹	Black leather	Black	Black	Black/Black	Black	Black	Crystal Grey or Black
204	Marsala Brown & Espresso Brown leather	Marsala Brown	Espresso Brown	Espresso Brown/Marsala Brown	Espresso Brown	Espresso Brown	Macchiato Beige
208	Magma Grey & Espresso Brown leather	Magma Grey	Espresso Brown	Espresso Brown/Magma Grey	Espresso Brown	Espresso Brown	Black
205	Macchiato Beige & Magma Grey leather	Macchiato Beige	Black	Magma Grey/Macchiato Beige	Macchiato Beige	Macchiato Beige	Macchiato Beige
801 ¹	Black Nappa leather	Black	Black	Black/Black	Black	Black	Crystal Grey or Black
804	Marsala Brown & Espresso Brown Nappa leather	Marsala Brown	Espresso Brown	Espresso Brown/Marsala Brown	Espresso Brown	Espresso Brown	Macchiato Beige
808	Magma Grey & Espresso Brown Nappa leather	Magma Grey	Espresso Brown	Espresso Brown/Magma Grey	Espresso Brown	Espresso Brown	Black
805	Macchiato Beige & Magma Grey Nappa leather	Macchiato Beige	Black	Magma Grey/Macchiato Beige	Macchiato Beige	Macchiato Beige	Macchiato Beige
951	Black & Titanium Grey Pearl designo Nappa leather	Black	Black	Titanium Grey Pearl/Black	Black	Black	Black
955	Macchiato Beige & Titian Red designo Nappa leather	Macchiato Beige	Macchiato Beige	Titian Red/Macchiato Beige	Macchiato Beige	Macchiato Beige	Macchiato Beige

¹When selecting AMG Line Pkg (321), headliner is always black (51U)

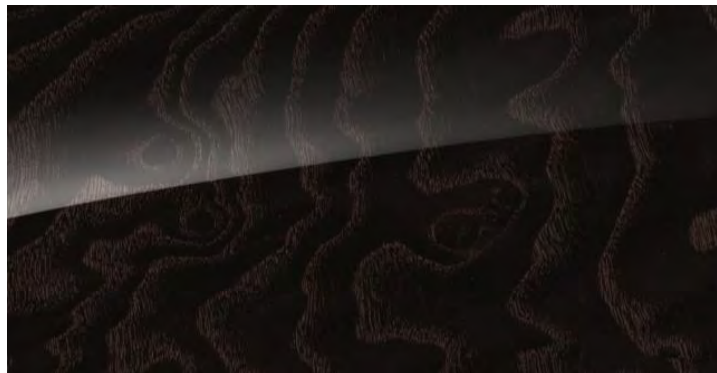


H41

Light Aluminum with longitudinal grain

Special Order Option Charge: \$250

Includes Black Piano Lacquer Center Console (728)



H06

Brown Ash wood trim

Option price: \$0

Includes matching Brown Ash wood trim center console (656)

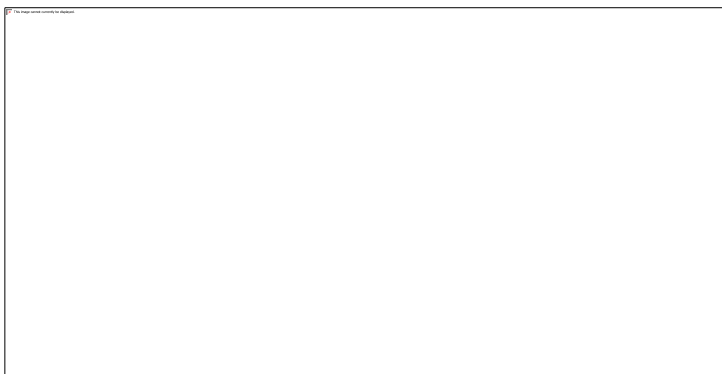


H01

Light Brown Sen wood trim

Option price: \$0

Includes matching Light Brown Sen wood trim center console (779)



H32

Natural Grain Grey Ash wood trim

Option price: \$0

Includes matching Natural Grain Grey Ash wood trim center console (764)

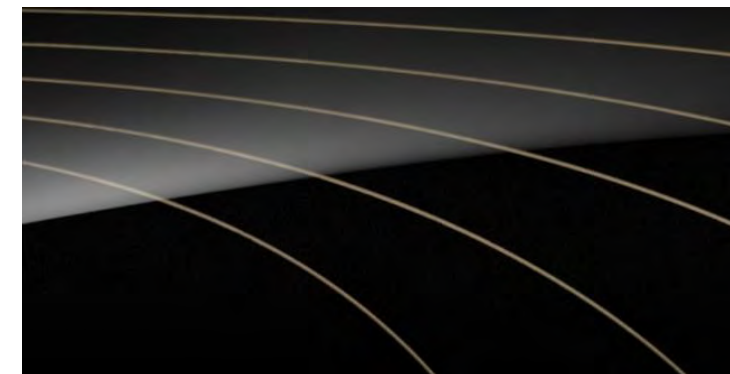


H05

Natural Grain Light Brown Elm wood trim

Option price: \$0

Includes matching Natural Grain Light Brown Elm wood center console (738)



H16

designo Black Piano Lacquer, Flowing Lines wood trim

Option price: \$1,300

Includes Black Piano Lacquer Center Console (728)

Interior Trims – Center Console Trim



728

Center Console in Black Piano Lacquer

Included w/ upper trims H16 or H41



656

Center Console in Brown Ash wood

Included w/ Brown Ash wood trim (H06)



779

Center Console in Light Brown Sen wood

Included w/ Light Brown Sen wood trim (H01)



764

Center Console in Natural Grain Grey
Ash wood

*Included w/ Natural Grain Grey Ash wood
trim (H32)*



738

Center Console in Natural Grain Light
Brown Elm wood

*Included w/ Natural Grain Light Brown
Elm wood trim (H05)*



<i>Code</i>	<i>Packages</i>	<i>Availability</i>	<i>MSRP</i>
P01	<p>Premium Package <i>Requires Burmester® Surround Sound System (810) (\$850 included in above Price) or Burmester® High End 3D Surround Sound System (811) (additional \$4,550)</i></p> <ul style="list-style-type: none"> ▪ 873 - Heated Front Seats ▪ 897 - Inductive Wireless Charging w/ NFC Pairing ▪ P17 - KEYLESS-GO Comfort Pkg <ul style="list-style-type: none"> ▪ 871 - HANDS-FREE ACCESS ▪ 881 - Electric Trunk Closer ▪ 889 - KEYLESS-GO® ▪ 234 - Blind Spot Assist ▪ 536 - SiriusXM Radio with 6-month All Access Plan trial 	All Models	\$ 3,150
319	<p>Exterior Lighting Package</p> <ul style="list-style-type: none"> ▪ P35 - Advanced Light Package code ▪ 640 - LED Intelligent Light System ▪ 608 - Adaptive Highbeam Assist 	All Models	\$ 800
996	<p>Parking Assistance Package</p> <ul style="list-style-type: none"> ▪ P47 - Parking Assist code ▪ 235 - Active Parking Assist ▪ 501 - Surround View System 	All Models	\$ 1,290
445	<p>Warmth and Comfort Package <i>Not available w/ heated front seats (873)</i> <i>Requires Premium Package (P01)</i></p> <ul style="list-style-type: none"> ▪ P68 - Warmth and Comfort Package code <ul style="list-style-type: none"> ▪ 906 - Heated Armrest ▪ 902 - Rapid Heating Functionality for Front Seats ▪ 443 - Heated Steering Wheel 	All Models	\$ 1,050



Code	Packages	Availability	MSRP
997	<p>Driver Assistance Package <i>Not with Blind Spot Assist (234) or Active Brake Assist (258).</i></p> <ul style="list-style-type: none"> ▪ 20P – Driver Assistance Package Plus code <ul style="list-style-type: none"> ▪ K32 – Active Lane Change Assist ▪ K34 – Route Based Speed Adaptation ▪ 233 – Active Distance Assist DISTRONIC® ▪ 253 – PRE-SAFE® PLUS Rear End Collision Protection ▪ 266 – Active Steering Assist ▪ 268 – Active Brake Assist w/ Cross-Traffic Function ▪ 292 – PRE-SAFE® Impulse Side ▪ 546 – Active Speed limit assist ▪ Active Emergency Stop Assist, Evasive Steering Assist, Active Blind Spot Assist & Active Lane Keeping Assist ▪ Extended Restart by Stop & Go up to three seconds <p>When ordered with Parking Assistance Package (996), extended restart by Stop & Go up to 30 seconds</p>	All Models	\$ 2,250
321	<p>AMG Line</p> <ul style="list-style-type: none"> ▪ P31 – AMG Line Exterior Package code <ul style="list-style-type: none"> ▪ Mercedes-Benz Star in radiator grille ▪ <i>Wheel choice of:</i> <ul style="list-style-type: none"> ▪ RRE – 19” AMG Twin 5-Spoke Wheel, All-Season, Run-Flats or ▪ RVO – 20” AMG Multi-Spoke Wheel, High-Performance, Run-Flats ▪ P29 – AMG Line Interior Package code <ul style="list-style-type: none"> ▪ L5C – Multifunction sport steering wheel w/ flat bottom <i>only with Upholsteries 201, 801 or 951. Please note: when ordered w/ 443/ L3D or 445, steering wheel will always be round.</i> ▪ L3B – Multifunction steering wheel (round) - <i>only w/ Upholsteries 204, 205, 208, 804, 805, 808 or 955</i> ▪ U26 – AMG floor mats (matching to upholstery color) ▪ 51U – Black headliner <i>only w/ upholstery 201 or 801 (if in combination with P62 or P87: 51U gets replaced with 61U or 65U DINAMICA headliner)</i> ▪ Brushed aluminum sport pedals w/ rubber studs 	<p>All Models (w/ RRE)</p> <p>All Models (w/ RVO)</p>	<p>\$ 970</p> <p>\$ 1,720</p>



<i>Code</i>	<i>Packages</i>	<i>Availability</i>	<i>MSRP</i>
488	ENERGIZING Comfort Package <i>Recommended w/ 432 Active Multicontour Front Seats w/ Massage Feature and 401 Heated & Ventilated Front Seats</i> <ul style="list-style-type: none"> ▪ P72 – ENERGIZING Comfort Package code ▪ P21 – AIR BALANCE Cabin Air Purification and Fragrance System 	All Models	\$ 550
P62	<i>designo</i> Black/ Titanium Grey Pearl Nappa Leather <ul style="list-style-type: none"> ▪ 951 – <i>designo</i> Black Nappa leather seats in diamond quilt design, with black Titanium Grey Pearl piping ▪ U04 – <i>designo</i> floor mats ▪ 61U – <i>designo</i> Black DINAMICA headliner ▪ U38 – Upper dashboard and doors in <i>designo</i> Titanium Grey Pearl Nappa leather with contrasting topstitching ▪ Door and center console armrests in <i>designo</i> Black Nappa Leather ▪ Chrome Door Pins 	All Models	\$ 4,900
P87	<i>designo</i> Macchiato Beige/ Titian Red Nappa Leather <ul style="list-style-type: none"> ▪ 955 – <i>designo</i> Macchiato Beige/ Titian Red Nappa leather seats in diamond quilt design, with Titian Red piping ▪ U04 – <i>designo</i> floor mats ▪ 65U – <i>designo</i> Macchiato Beige DINAMICA headliner ▪ U38 – Upper dashboard and doors in <i>designo</i> Titian Red Nappa leather with contrasting topstitching ▪ Door and center console armrests in <i>designo</i> Macchiato Beige Nappa Leather ▪ Chrome Door Pins 	All Models	\$ 4,900

Stand-Alone Options



<i>Code</i>	<i>Options</i>	<i>Availability</i>	<i>MSRP</i>
234	Blind Spot Assist Not available w/ <i>Driver Assistance Package (997)</i>	All Models	\$ 550
401	Heated and Ventilated Front Seats Not available w/ <i>Heated Front Seats (873)</i> Requires <i>Premium Pkg (P01)</i>	All Models	\$ 450
432	Active Multicontour Front Seats w/ Massage Feature Not available w/ <i>Heated Front Seats (873)</i> Requires <i>Premium Pkg (P01)</i>	All Models	\$ 1,320
443	Heated Steering Wheel Not available w/ <i>Warmth & Comfort Pkg (445)</i>	All Models	\$ 250
463	Head-up Display	All Models	\$ 990
464	12.3" Digital Instrument Cluster	All Models	\$ 850
489	AIR BODY CONTROL air suspension	All Models	\$ 1,900
536	SiriusXM Radio with 6-month All Access Plan trial	All Models	\$ 460
540	Power Rear-Window Sunshade	All Models	\$ 440
581	3-Zone Climate Control	All Models	\$ 760
811	Burmester® High-End 3D Surround Sound System Requires <i>Premium Pkg (P01)</i>	All Models	\$ 4,550
866	Rear Seat Entertainment & Comfort Adapter	All Models	\$ 170
883	Soft-close doors	All Models	\$ 550

Stand-Alone Options



<i>Code</i>	<i>Options</i>	<i>Availability</i>	<i>MSRP</i>
L3D	Wood & Leather Steering Wheel <i>Not available w/ Warmth and Comfort Pkg (445) or Heated Steering Wheel (443) Requires Light Brown Sen wood trim (H01) or Brown Ash wood trim (H06)</i>	All Models	\$ 600
PAF	Acoustic Comfort Package <i>Increased Cabin Insulation, Windshield and Side Windows with Acoustic and Heat Absorbing Membrane</i>	All Models	\$ 1,100
U25	Illuminated door sills with “Mercedes-Benz” lettering	All Models	\$ 350
U80	115V AC Power Outlet	All Models	\$ 115
<i>Code</i>	<i>Special Order Options – Implies \$250 SPC Charge</i>	<i>Availability</i>	<i>MSRP</i>
293	Rear seat side air bags	All Models	\$ 420
872	Heated Rear Seats <i>Requires one of the following: 873, 401, 432 or 445 and Leather (2xx) or Nappa Leather (8xx) upholstery</i>	All Models	\$ 580
H41	Light Aluminum with longitudinal grain	All Models	\$ 0
<i>Code</i>	<i>Mercedes-Benz Accessories Program</i>	<i>Availability</i>	<i>MSRP</i>
00A	Illuminated Star <i>Not available with 997 Driver Assistance Pkg</i>	All Models	\$ tba
15A	LED Logo Projector (Set of 2)	All Models	\$ tba
068	Wheel Locks	All Models	\$ 150
070	Chrome Door Handle Inserts (Set of 4)	All Models	\$ 100
104	Rear Spoiler – Body Color <i>Not available with Rear Spoiler – Black (21A)</i>	All Models	\$ tba
21A	Rear Spoiler – Black <i>Not available with Rear Spoiler – Body Color (104) or paint codes 040 or 197</i>	All Models	\$ tba
11A	Black Mirror Housing <i>Not available with paint codes 040 or 197</i>	All Models	\$ 250



Steering Wheel



Multifunction steering wheel (L3B)

Standard

- Newly redesigned 3-spoke multifunction steering wheel in nappa leather
- Touch Control buttons for direct control of the instrument cluster and to control the functions of the multimedia system.
- Steering wheel shift paddles in the steering wheel color
- Optional Active Distance Assist DISTRONIC® or std cruise control is controlled via steering wheel-mounted controls



Multifunctional sports steering wheel (L5C)

Optional

Requires AMG Line (321)

N/A with heated steering wheel (443)

- Elegant 3-spoke multifunction steering wheel design, flattened bottom section with a particularly compact, and extremely sporty look/ feel
- Shift paddles in a fine electroplated finish



Wood/Leather multifunction steering wheel (L3D)

Option Price: \$600

Requires Light Brown Sen wood (H01) or Brown Ash wood trim (H06)

N/A with heated steering wheel (443) or Warmth & Comfort Pkg (445)

- The 3-spoke multifunction steering wheel in wood/leather combines fine materials with innovative ease of operation.



Heated Steering Wheel (443)

Option Price: \$250

Not available with wood/leather steering wheel (L3D)

- On cold days, the heated 3-spoke steering wheel rim very quickly warms the grip area of the steering wheel to around 95°F to ensure pleasantly warm hands.
- The function is switched on and off by turning the control lever for adjusting the multifunction steering wheel.



designo® Black/Titanium Grey Pearl (951)





designo® Macchiato Beige/Titian red (955)

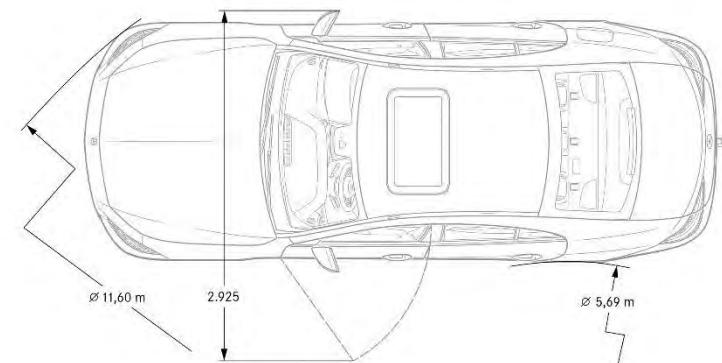
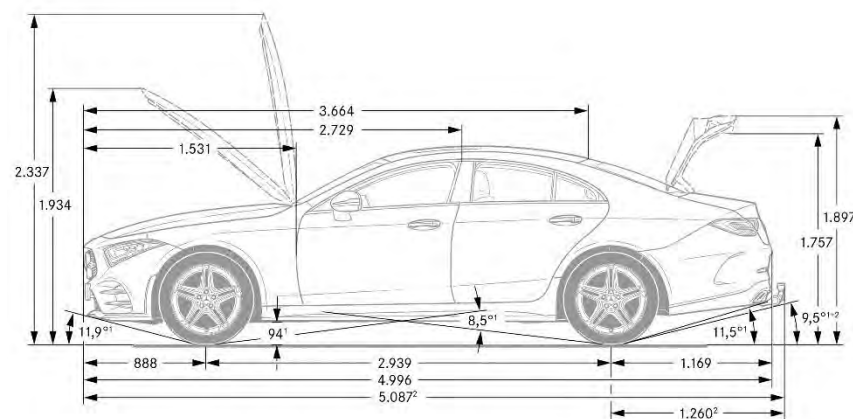
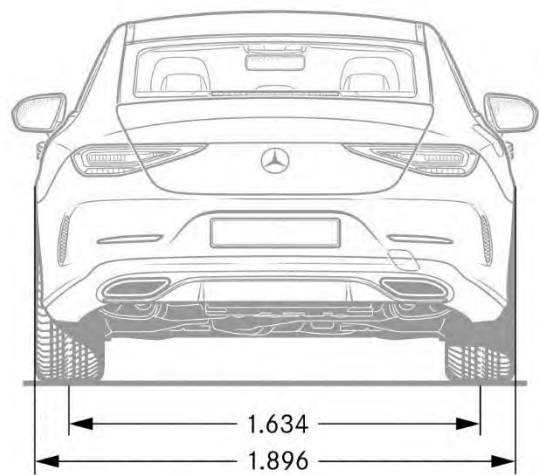
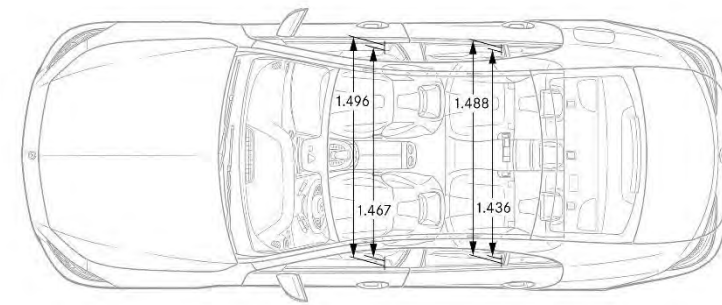
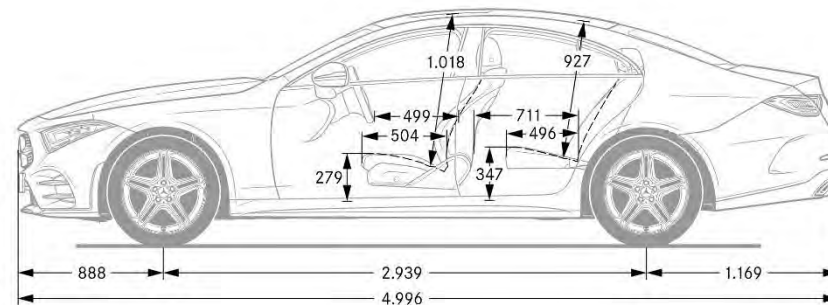
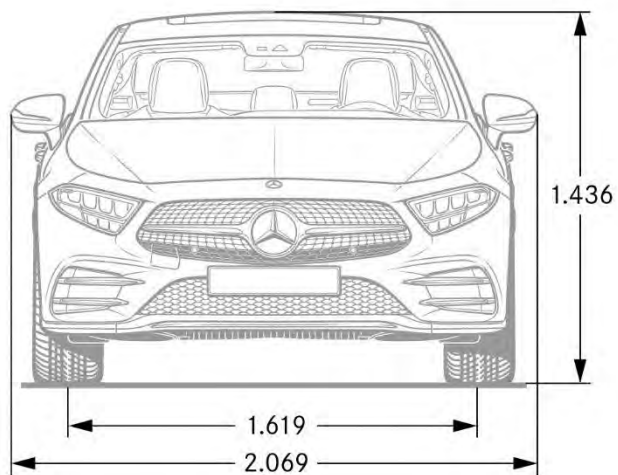


Specifications



	<i>CLS 450</i>	<i>CLS 450 4MATIC</i>
Engine Configuration	3.0L inline-6 turbo engine with EQ Boost	3.0L inline-6 turbo engine with EQ Boost
ICE Power (hp)	362	362
EQ Boost Starter-Generator (hp)	21	21
Torque (lb-ft)	369	369
Displacement (cc)	2,999	2,999
Acceleration 0-60 mph (sec)	5.1	4.8
Fuel Economy (Cty/Hwy/Comb)	tbd	tbd
Top Speed (mph)	130	130
Fuel Requirement (Octane)	91	91
Compression	10.5 : 1	10.5 : 1
Transmission	9G-TRONIC 9-Speed Automatic Transmission	9G-TRONIC 9-Speed Automatic Transmission
Transmission Speeds	9	9
Drive Configuration	Rear-wheel drive	All-wheel drive
Fuel Tank Size (gallons)	21.1	21.1
Trunk Size (cubic feet)	tbd	tbd
Curb Weight (lbs)	tbd	tbd
Vehicle Length (in.)	196.7	196.7
Vehicle Width w/ exterior mirrors (in.)	81.5	81.5
Vehicle Height (in.)	55.3	55.3
Wheelbase (in.)	115.7	115.7
Track Width Front/Rear (in.)	63.8/64.1	63.8/64.1

Specifications* – CLS 450 & CLS 450 4MATIC



AMG CLS53



C257

Model year 2019

AMG
DRIVING PERFORMANCE

CLS 53



Models



What's new



Standard Equipment



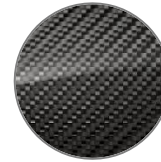
Exterior Paint Colors



Wheels



Interior Upholstery



Interior Trims



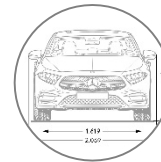
Option Packages



Stand-Alone Options



Options in Detail



Specifications



AMG CLS 53 (257.361)

- MSRP \$tbd
- AMG-enhanced 3.0L inline-6 turbo engine with EQ Boost
- 429 hp
- 384 lb-ft
- EQ Boost Starter-Alternator outputs 21 hp
- 4.4 sec (est. 0-60 mph)
- Launch Timeline: Q4 2018

3.0L Inline-6 Biturbo Engine w/ EQ Boost Technology

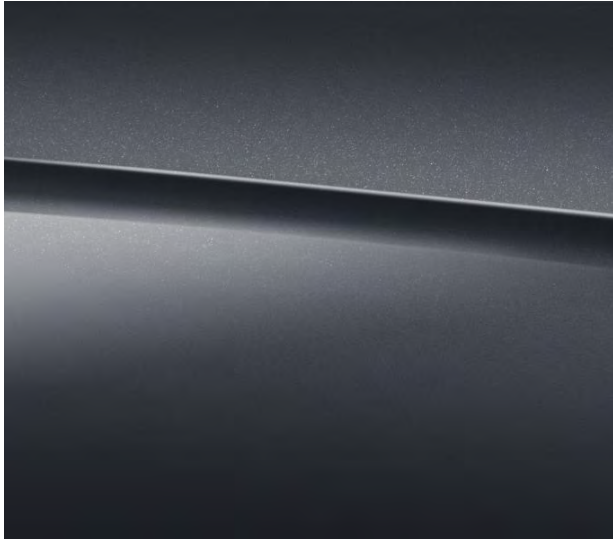


3.0L Inline-6 Engine w/ EQ Boost Technology

Systematically electrified for an outstanding driving experience – the Integrated Starter-Generator boosts and recovers energy, while supplying additional power. The inline six-cylinder engine is both smooth and powerful even on its own – with impressive fuel consumption.

- Systematically lightweight design with reduced friction
- Sophisticated acoustic cladding for quieter operation
- Fully beltless engine
- Incredibly efficient design with impressive acceleration and power
- Twin-scroll turbocharger
- Engine mounts reduce vibration
- Petrol particulate filter reduces minute soot particles significantly below even the most stringent limits
- Electric A/C compressor and water pump
- 48V lithium-ion battery with a capacity of almost 1kWh
 - Able to start the engine and charge the 12V battery
 - Supplies additional torque and horsepower at a range of RPMs and with limited to no lag in power delivery
- Extended coasting or ‘sailing’ while in ECO mode
- Electric Auxiliary Compressor (eAC) minimizes lag and increases response

Edition 1



P19 - Edition 1

Models: AMG CLS 53

Edition Content:

- 319 – Advanced Lighting Package
- 996 – Parking Assist Package
- 997 – Driver Assistance Package
- 401 – Heated and Ventilated Front Seats
- U38 – Nappa Leather Dashboard
- 61U – *designo* Black DINAMICA Headliner
- 443 – Heated Steering Wheel
- 540 – Power Rear Sunshade



Edition Exclusive Content:

- 831 – Graphite Grey Metallic paint (Edition 1 exclusive for MY19)
- RZU – 20” AMG Black Twin 5-Spoke Wheels
- 881 – Black Nappa Leather w/ Copper Stitching
- H69 – AMG Carbon Fiber Trim w/ Copper Accents
- IWC Analog Clock w/ Copper Accents
- AMG Performance Steering Wheel w/ Edition Lettering
- U66 – AMG Floor Mats w/ Copper Accents

Performance & Handling

- 19" AMG Wheels
- EQ Boost Starter-Alternator
- AMG DYNAMIC SELECT
- AMG Sport Suspension based on AIR BODY CONTROL
- AMG-enhanced 3.0L Inline Turbo Engine (429 hp, 384 lb-ft torque)
- AMG SPEEDSHIFT 9G Torque Converted Transmission (TCT)
- Rear Spoiler
- Steering Wheel Mounted Shift Paddles

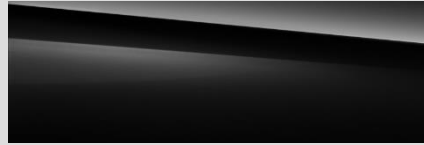
Comfort & Convenience

- 115V AC Power Outlet
- 12.3" Widescreen Instrument Cluster
- 64-Color Ambient Lighting
- AMG Nappa Leather Performance Steering Wheel
- Analog Clock
- Smartphone integration with Apple CarPlay™ & Android Auto
- Burmester® Surround Sound System
- COMAND® Navigation w/ Touchpad Controller
- Dual Zone Automatic Climate Control
- Electronic Trunk Closer
- Garage Door Opener
- Hands-Free Access
- Heated Windshield Washer System
- Inductive Wireless Charging w/ NFC Pairing
- KEYLESS-GO
- LED Headlamps and Taillamps
- Power Folding Mirrors
- Auto-Dimming Driver-Side and Rearview Mirrors
- Power Heated Front Seats w/Memory & Lumbar Support
- Split folding rear seats (40/20/40)
- Rearview Camera
- Red Seat Belts
- SiriusXM® Radio All-Access w/ 6 mo. Trial Period
- Storage Package
- Tilt/Sliding Sunroof

Safety & Security

- Active Brake Assist
- Anti-Theft Alarm System
- Car-to-X Communication
- Blind Spot Assist
- eCall-emergency system
- Extended Mobility Tires
- PRE-SAFE®
- PRE-SAFE Sound
- ATTENTION ASSIST®

Non-metallic Paints



040
Black
Option price: \$0



149
Polar White
Option price: \$0

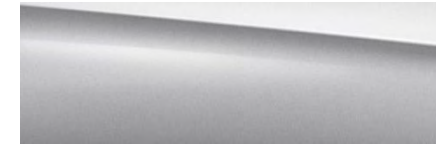
Metallic Paints



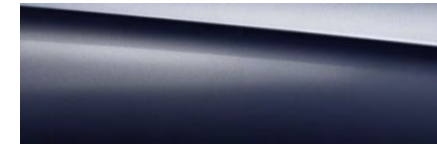
197
Obsidian Black
Option price: \$720



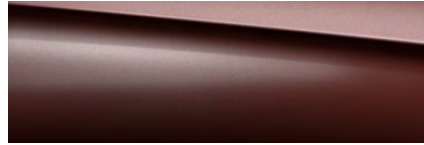
796
Dakota Brown
Option price: \$720



775
Iridium Silver
Option price: \$720



890
Lunar Blue
Option price: \$720



897
Ruby Black
Option price: \$720



992
Selenite Grey
Option price: \$720

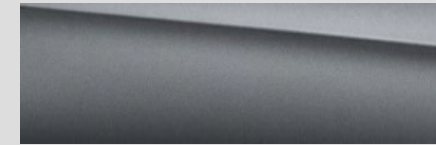
designo® Paints



996
Cardinal Red
Option price: \$1,080



799
Diamond White
Option price: \$1,515



297
Selenite Grey Magno
Option price: \$3,950



RRF
19" AMG Twin 5-Spoke Wheels
R02 + R66
w/ Black Accents
Option price: \$0

RVO
20" AMG Multi-Spoke Wheels
R01 + R66
Option price: \$750

RVP
20" AMG Multi-Spoke Wheels
R01 + R66
w/ Black Accents
Option price: \$750

RTY
20" AMG Twin 5-Spoke Wheels
R01 + R66
Option price: \$750

RTZ
20" AMG Twin 5-Spoke Wheels
w/ Black Accents
R01 + R66
Option price: \$750

<i>Code</i>	<i>Wheel Size</i>	<i>Description</i>	<i>Wheel Dimensions</i>	<i>Mobility</i>	<i>MSRP</i>
RRF	19"	AMG Twin 5-Spoke Wheels w/ Black Accents	245/40 R19 on 8 J x 19 ET 28 (Front) 275/35 R19 on 9 J x 19 ET 33 (Rear)	R02 + R66	\$ Standard
RVO	20"	20" AMG Multi-Spoke Wheels	245/35 R20 on 8 J x 20 ET 28 (Front) 275/30 R20 on 9 J x 20 ET 33 (Rear)	R01 + R66	\$ 750
RVP	20"	AMG Multi-Spoke Wheels w/ Black Accents	245/35 R20 on 8 J x 20 ET 28 (Front) 275/30 R20 on 9 J x 20 ET 33 (Rear)	R01 + R66	\$ 750
RTY	20"	AMG Twin 5-Spoke Wheels	245/35 R20 on 8 J x 20 ET 10 (Front) 275/30 R20 on 9 J x 20 ET 28 (Rear)	R01 + R66	\$ 750
RTZ	20"	AMG Twin 5-Spoke Wheels w/ Black Accents	245/35 R20 on 8 J x 20 ET 10 (Front) 275/30 R20 on 9 J x 20 ET 28 (Rear)	R01 + R66	\$ 750



671

Black MB-TEX/DINAMICA w/ Red Stitching

Option price: \$0

Choose between Red or Black Seatbelts (Y05, U17)

Not available with Heated & Ventilated Front Seats (401)

Interior Upholstery – Nappa Leather



861

Black Nappa Leather w/ Grey Stitching
Option price: \$2,990



871

Black Nappa Leather w/ Red Stitching
Option price: \$2,990
Choose between Red or Black Seatbelts (Y05, U17)



875

Macchiato Beige/Magma Grey Nappa Leather
Option price: \$2,990
Only with 55U or 65U headliner



877

Bengal Red Nappa Leather
Option price: \$2,990



878

Magma Grey/Espresso Brown Nappa Leather
Option price: \$2,990

Interior Upholstery – *designo* Nappa Leather



951

Black & Titanium Grey Pearl

Requires designo P62 Package

Includes Black DINAMICA Headliner (61U)



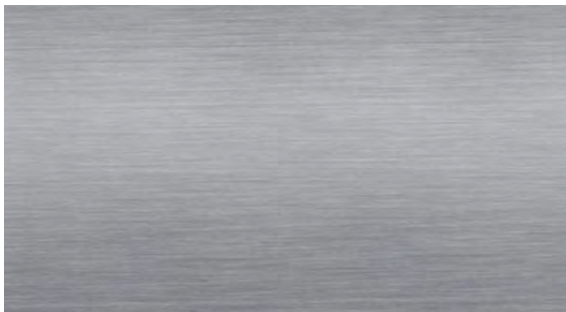
955

Macchiato Beige & Tizian Red

Requires designo P87 Package

Includes Macchiato Beige DINAMICA Headliner (65U)

<i>Code</i>	<i>Upholstery</i>	<i>Seats</i>	<i>Floor Mats</i>	<i>Upper Dash/Lower Dash</i>	<i>Seat Belts</i>	<i>Steering Wheel</i>	<i>Headliner</i>
671	Black MB-Tex/DINAMICA w/ Red Stitching	Black	Black	Black/Black	Red or Black	Black	Black
861	Black Nappa Leather w/ Grey Stitching	Black	Black	Black/Black	Black	Black	Black
871	Black Nappa Leather w/ Red Stitching	Black	Black	Black/Black	Red or Black	Black	Black
875	Macchiato Beige/Magma Grey Nappa Leather	Macchiato Beige	Macchiato Beige	Magma Grey/Macchiato Beige	Macchiato Beige	Black	Macchiato Beige
877	Bengal Red/Black Nappa Leather	Bengal Red	Black	Black/Bengal Red	Black	Black	Black
878	Magma Grey/Espresso Brown Nappa Leather	Magma Grey	Espresso Brown	Espresso Brown/Magma Grey	Black	Espresso Brown	Black
881	AMG Black Nappa Leather w/ Copper Stitching	Black	Black	Black/Black	Black	Black	Black
951	<i>designo</i> Black/Titanium Grey Pearl Nappa Leather	Black	Black	Titanium Grey/Black	Black	Black	DINAMICA Black
955	<i>designo</i> Macchiato Beige/Titian Red Nappa Leather	Macchiato Beige	Macchiato Beige	Titian Red/Macchiato Beige	Macchiato Beige	Macchiato Beige	DINAMICA Macchiato Beige



H41

Light Aluminum with Longitudinal Grain

Option price: \$0

Includes Black Piano Lacquer Center Console (728)



H01

Light Brown Sen Wood

Option price: \$0

Includes Light Brown Sen Wood Center Console (779)

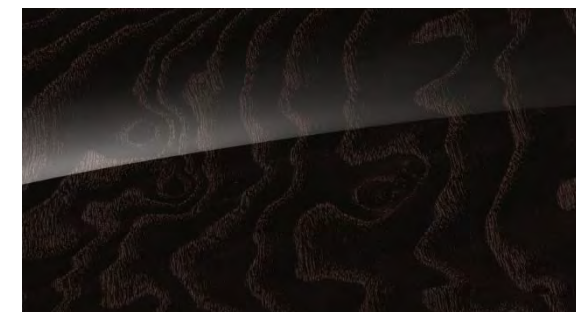


H05

Natural Grain Light Brown Elm Wood

Option price: \$0

Includes Natural Grain Light Brown Elm Wood Center Console (738)

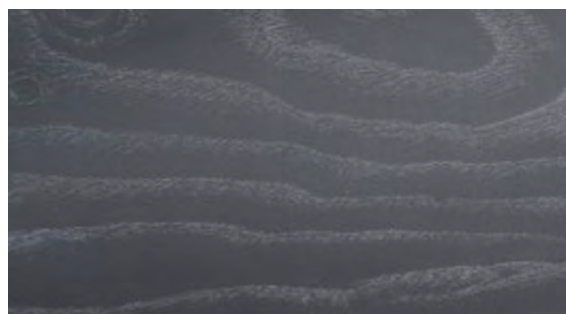


H06

Brown Ash Wood

Option price: \$0

Includes Brown Ash Wood Trim Center Console (656)

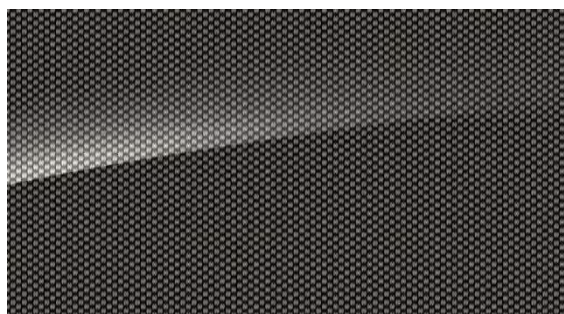


H32

Natural Grain Grey Ash Wood

Option price: \$0

Includes Natural Grain Grey Ash Wood Center console (764)

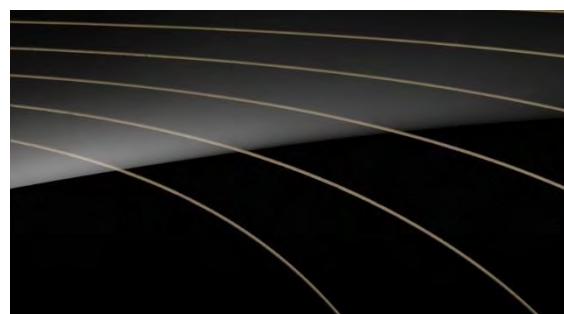


H64

Metal Weave

Option price: \$600

Includes Black Piano Lacquer Center Console (728)

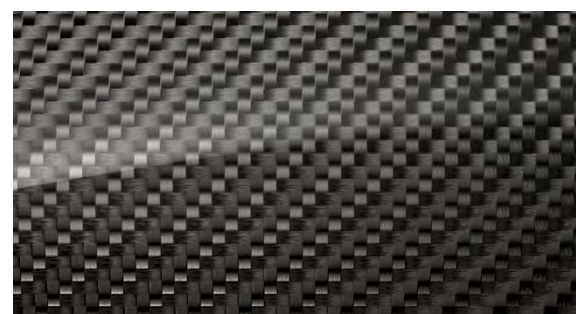


H16

designo Black Piano Lacquer w/ Flowing Lines

Option price: \$1,300

Includes Black Piano Lacquer Center Console (728)



H73

AMG Carbon Fiber

Option price: \$2,850

Includes Carbon Fiber Center Console (732)

Interior Trims – Center Console Trim



728

Center Console in Black Piano Lacquer

Included w/ upper trims H40, H64 & H16



732

Center Console in Carbon Fiber

Included w/ AMG Carbon Fiber Trim (H73)



738

Center Console in Natural Grain Light Brown Elm wood

Included w/ Natural Grain Light Brown Elm wood trim (H05)



764

Center Console in Natural Grain Grey Ash wood

Included w/ Natural Grain Grey Ash wood trim (H32)



779

Center Console in Light Brown Sen wood

Included w/ Light Brown Sen wood trim (H01)




656

Center Console in Brown Ash wood

Included w/ Brown Ash wood trim (H06)

<i>Code</i>	<i>Packages</i>	<i>Availability</i>	<i>MSRP</i>
997	<p>Driver Assistance Package <i>Not with Blind Spot Assist (234) or Active Brake Assist (258).</i></p> <ul style="list-style-type: none"> ▪ 20P – Driver Assistance Package Plus code <ul style="list-style-type: none"> ▪ K32 – Active Lane Change Assist ▪ K34 – Route Based Speed Adaptation ▪ 233 – Active Distance Assist DISTRONIC® ▪ 253 – PRE-SAFE® PLUS Rear End Collision Protection ▪ 266 – Active Steering Assist ▪ 268 – Active Brake Assist w/ Cross-Traffic Function ▪ 292 – PRE-SAFE® Impulse Side ▪ 546 – Active Speed limit assist ▪ Active Emergency Stop Assist, Active Blind Spot Assist & Active Lane Keeping Assist <p>When ordered with Parking Assistance Package (996), extended restart by Stop & Go up to 30 seconds</p>	CLS 53	\$ tbd
996	<p>Parking Assist Package</p> <ul style="list-style-type: none"> ▪ P47 – Parking Assist Code <ul style="list-style-type: none"> ▪ 235 – Active Parking Assist ▪ 501 – Surround View System 	CLS 53	\$ tbd
319	<p>Advanced Lighting Package</p> <ul style="list-style-type: none"> ▪ P35 – Advanced Light Package Code <ul style="list-style-type: none"> ▪ 640 – LED Intelligent Light System ▪ 608 – Adaptive Highbeam Assist 	CLS 53	\$ tbd
521	<p>AMG Night Package <i>Requires wheels w/ black accents (RRF, RVP & RTZ)</i></p> <ul style="list-style-type: none"> ▪ P60 – Front splitter, rear trim strip ▪ U50 – Night package component code 	CLS 53	\$ tbd

<i>Code</i>	<i>Packages</i>	<i>Availability</i>	<i>MSRP</i>
B28	AMG Exterior Carbon Fiber Package <ul style="list-style-type: none"> ▪ B28 – AMG Exterior Carbon Fiber Mirrors ▪ U93 – AMG Carbon Fiber Trunk Lid Spoiler 	CLS 53	\$ Tbd
445	Warmth and Comfort Package <i>Not available w/ heated front seats (873)</i> <ul style="list-style-type: none"> ▪ P68 – Warmth and Comfort Package code <ul style="list-style-type: none"> ▪ 906 – Heated Armrest ▪ 902 – Rapid Heating Functionality for Front Seats ▪ 443 – Heated Steering Wheel 	CLS 53	\$ tbd
P62	<ul style="list-style-type: none"> ▪ designo Black/ Titanium Grey Pearl Nappa Leather 951 – <i>designo</i> Black Nappa leather seats in diamond quilt design, with black Titanium Grey Pearl piping, and <i>designo</i> badge on backrests of front and rear seats ▪ 61U – <i>designo</i> Black DINAMICA headliner ▪ U38 – Upper dashboard and doors in <i>designo</i> Titanium Grey Pearl Nappa leather with black topstitching ▪ Door and center console armrests in <i>designo</i> Black Nappa Leather 	CLS 53	\$ tbd
P87	designo Macchiato Beige/ Titian Red Nappa Leather <ul style="list-style-type: none"> ▪ 955 – <i>designo</i> Macchiato Beige/ Titian Red Nappa leather seats in diamond quilt design, with Titian Red piping, and <i>designo</i> badge on backrests of front and rear seats ▪ 65U – <i>designo</i> Macchiato Beige DINAMICA headliner ▪ U38 – Upper dashboard and doors in <i>designo</i> Titian Red Nappa leather with Titian Red topstitching ▪ Door and center console armrests in <i>designo</i> Macchiato Beige Nappa Leather 	CLS 53	\$ tbd
488	ENERGIZING Comfort Package <ul style="list-style-type: none"> ▪ P21 – Air Balance Cabin Air Purification and Fragrance System ▪ P72 – ENERGIZING Comfort System 	CLS 53	\$ 550

<i>Code</i>	<i>Options</i>	<i>MSRP</i>
256	AMG Track Pace Application	\$ 250
260	Deletion of Trunk Lid Badges	\$ 0
261	Deletion of Fender Badges	\$ 0
401	Heated and Ventilated Front Seats <i>Not with heated front seats (873) or Black MB-Tex/DINAMICA w/ Red Stitching (671)</i>	\$ 450
432	Active Multicontour Front Seats w/ Massage Feature <i>Not with heated front seats (873) or Black MB-Tex/DINAMICA w/ Red Stitching (671)</i> <i>Requires Rapid Heating Front Seats (902) or Warmth and Comfort Package (445)</i>	\$ 1,320
443	Heated Steering Wheel	\$ tbd
463 	Head-Up Display	\$ tbd
540	Power Rear Window Sunshade	\$ tbd
581	3-Zone Climate Control	\$ tbd
811	Burmester® High-End 3D Surround Sound System	\$ tbd
866	Pre-Wiring for Rear Seat Entertainment & Comfort Adapter	\$ 170
872	Heated Rear Seats <i>Requires one of the following: 873, 401, 432 or 445 and Leather (2xx) or Nappa Leather (8xx) upholstery</i>	\$ 580
61U	<i>designo</i> Black DINAMICA Headliner	\$ 1,600
65U	<i>designo</i> Macchiato Beige DINAMICA headliner	\$ 1,600
L6K	AMG Nappa/DINAMICA Performance Steering Wheel	\$ 500
L6L	AMG Nappa/Black Piano Lacquer Performance Steering Wheel <i>Only with H16, H41, H64 or H73 trim</i>	\$ 600

<i>Code</i>	<i>Options</i>	<i>MSRP</i>
PAF	Acoustic Comfort Package <i>Increased Cabin Insulation, Windshield and Side Windows with Acoustic and Heat Absorbing Membrane</i>	\$ 1,100
U17	Black Seatbelts <i>Only with 671 or 871 Upholsteries</i>	\$ 0
Y05	Red Seatbelts <i>Only with 671 or 871 Upholsteries</i>	\$ 0
U78	AMG Performance Exhaust System	\$ 1,250
U80	115V AC Power Outlet	\$ 115
883	Soft-close doors	\$ 550

<i>Code</i>	<i>Special Order Options – Implies \$250 SPC Charge</i>	<i>MSRP</i>
293	Rear seat side air bags	\$ 420

<i>Code</i>	<i>Mercedes-Benz Accessories Program</i>	<i>MSRP</i>
068	Wheel Locks	\$ 150
070	Chrome Door Handle Inserts (Set of 4)	\$ 100
00A	Illuminated Star <i>Not available with Driver Assistance Pkg (997)</i>	\$ tbd
25A	AMG LED Crest Projectors	\$ 275

Steering Wheels



AMG Nappa Leather Performance Steering Wheel (L6J)

Standard

The AMG Performance steering wheel in Nappa Leather is especially sporty with easy grip, providing genuine racing flair.



AMG Nappa/DINAMICA Performance Steering Wheel (L6K)

Optional

Sporty design and unique touch & feel make the AMG Performance Steering Wheel an unmistakable feature in Nappa Leather with the grip area in DINAMICA.



AMG Nappa/Black Piano Lacquer Performance Steering Wheel (L6L)

Optional

Requires H41, H64, H16 or H73 trim

The combination of Nappa Leather with Black Piano Lacquer makes the steering wheel a highlight in terms of its look and feel.

Sales Description (Code)

*Requires Description (Code)
Not with Description (Code)*

- Description
- ...
- ...

	<i>CLS53</i>
Engine Configuration	AMG-enhanced 3.0L inline-6 turbo with EQ Boost
ICE Power (hp)	429 @ 6,100
EQ Boost Starter-Alternator (hp)	21
ICE Torque (lb-ft)	384 @ 1,800 – 5,800
EQ Boost Starter-Alternator (lb-ft)	184
Displacement (cc)	2,999
Acceleration 0-60 mph (sec)	4.4 (est.)
Fuel Economy (Cty/Hwy/Comb)	tbd
Top Speed (mph)	130
Fuel Requirement (Octane)	91
Compression	10.5:1
Transmission	AMG SPEEDSHIFT TCT 9G
Transmission Speeds	9
Drive Configuration	AMG Performance 4MATIC+
Fuel Tank Size (gallons)	tbd
Trunk Size (cubic feet)	tbd
Curb Weight (lbs)	tbd
Vehicle Length (in.)	196.9
Vehicle Width w/ exterior mirrors (in.)	74.4
Vehicle Height (in.)	56
Wheelbase (in.)	115.7
Track Width Front/Rear (in.)	64.8/64.5