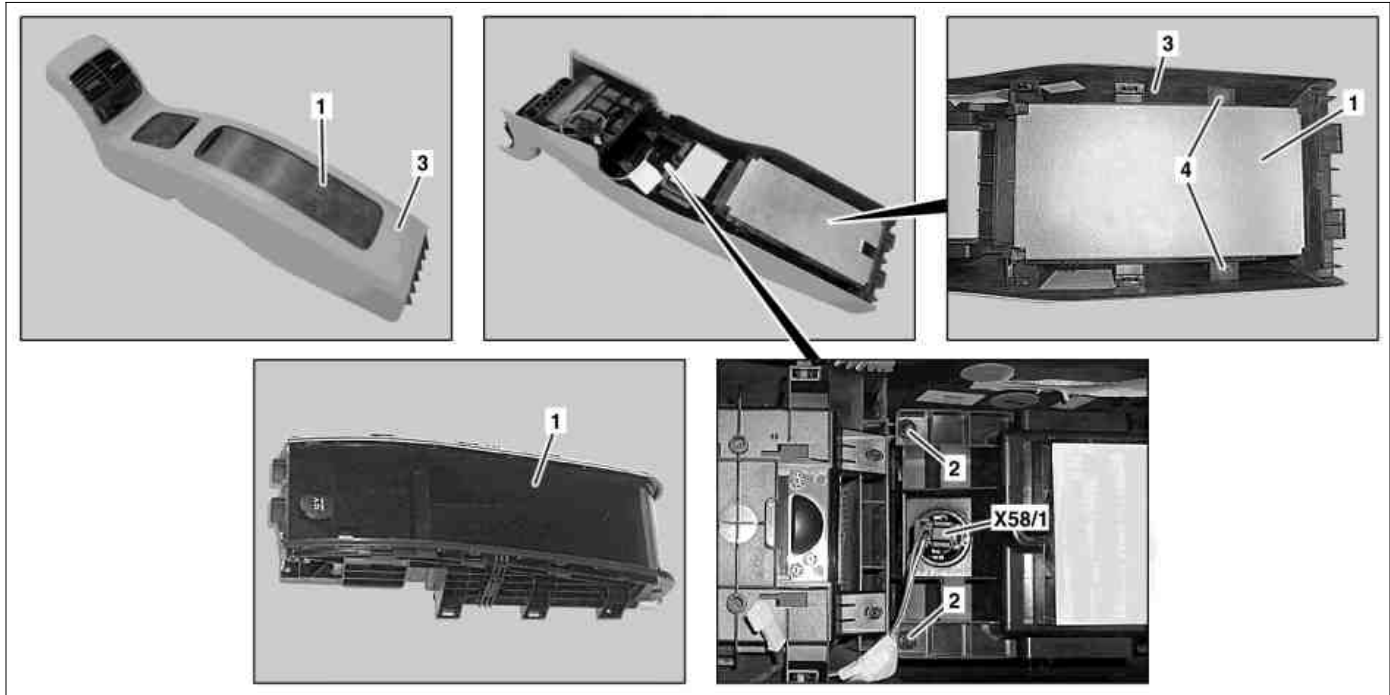


MODEL 219.3

Rear stowage compartment



P68.20-3340-09

1 Rear stowage compartment

3 Rear center console.

X58/1 Interior socket

2 Screw

4 Bolts

| | Remove/Install | | |
|-----|---|--|---------------------|
| 1 | Remove rear center console (3) | | AR68.20-P-2020TX |
| 2 | Unscrew screws (2, 4) | Rechargeable battery-powered drill/ screwdriver | *WH58.30-Z-1007-20A |
| 3 | Remove rear stowage compartment (1) from rear center console (3) | | |
| 4.1 | Remove roller blind from rear stowage compartment (1) | Only when replacing rear stowage compartment (1). | AR68.20-P-2465TX |
| 5.1 | Remove interior socket (X58/1) | Only when replacing rear stowage compartment (1). | AR54.10-P-1000TX |
| 6 | Install in the reverse order | | |

Commercially available tools

| Number | Designation |
|--------------------|-----------------------|
| WH58.30-Z-1007-20A | Cordless drill/driver |