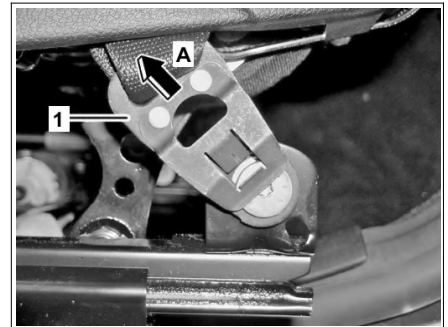


Model 172, 190, 205.0/1/2, 213, 231, 253

i The following operation steps are shown on MODEL 172.

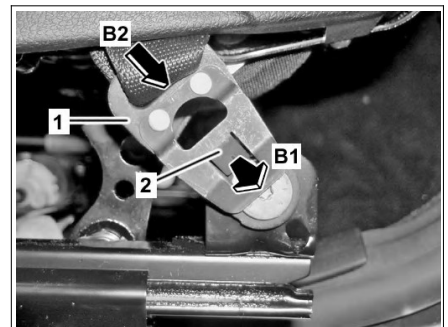
Remove

1 Pull belt end fitting (1) upward (arrow A).



P91.40-3237-01

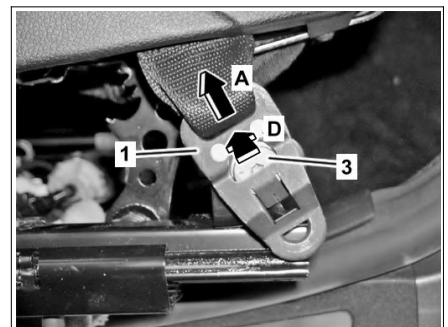
2 Release belt end fitting (1) by minimally (approx. 2 mm) lifting spring (2) (arrow B1), press down (arrow B2) and remove.



P91.40-3238-01

Install

3 Position belt end fitting (1) on screw/bolt (3) (arrow D) and pull upward (arrow A).

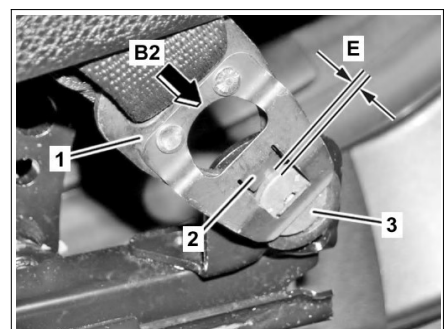


P91.40-3241-01

4 Press belt end fitting (1) down (arrow B2).

i The spring (2) must make contact at bolt head of screw/bolt (3). Dimension "E" must be at least 1.7 mm.

5 Have engagement checked by 2nd person.



P91.40-3242-01