

Service Campaign Bulletin



Mercedes-Benz

Campaign No. 2017010006, March 2017

TO: ALL MERCEDES-BENZ CENTERS

SUBJECT: **Model 190, Model Year 2016**
Check Automatic Transmission for Leaks, Replace if Necessary

Daimler AG ('DAG'), the manufacturer of Mercedes-Benz vehicles, has determined that on certain AMG GT-S (model 190) vehicles, the radial shaft seal may become misaligned and leak. An authorized Mercedes-Benz dealer will check the automatic transmission for leaks on the affected vehicles and replace it, if necessary

Prior to performing this Service Campaign:

- Please check VMI to determine if the vehicle is involved in the Campaign and if it has been previously repaired.
- Please review the entire Service Campaign bulletin and follow the repair procedure exactly as described.

Approximately 733 vehicles are affected.

Order No. P-SC-2017010006

This bulletin has been created and maintained in accordance with MBUSA-SLP S423QH001, Document and Data Control, and MBUSA-SLP S424HH001, Control of Quality Records.

Service Campaign Bulletin



Service Campaign Bulletin

Service Campaign Bulletin

Service Campaign Bulletin

Service Campaign Bulletin

Procedure

1.  Remove underfloor paneling under automatic transmission.
2.  Check ventilation bore (A, Figure 1) at bottom side of transmission for leaks.

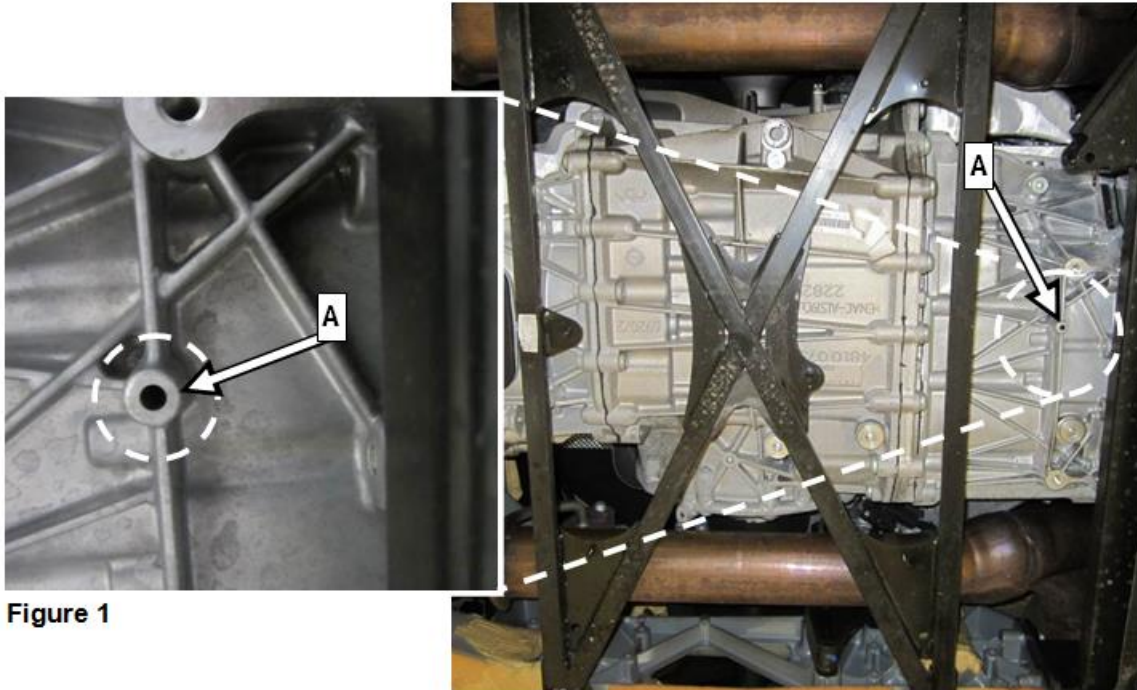








Figure 1

- If transmission fluid is **NOT** leaking from ventilation bore (A) (**OK**): Procedure is complete.
 -  **Note:**  Reassemble in reverse order.
- If transmission fluid **IS** leaking from ventilation bore (A) (**NOT OK**): Proceed to  step 2.
 2.  Replace automatic transmission; refer to  WIS: AR27.10-P-0502MNB.
 3. Create PTSS case:
 - Submit pictures of old automatic transmission serial number and new transmission serial number along with VIN.
 -  **Note:**
 - Pictures submitted must be of good quality and high resolution (refer to Figure 2). Picture with bar code is preferred.
 - No SDS print out is required.
 - No further instructions will be provided. Do **not** select check box for information only case.

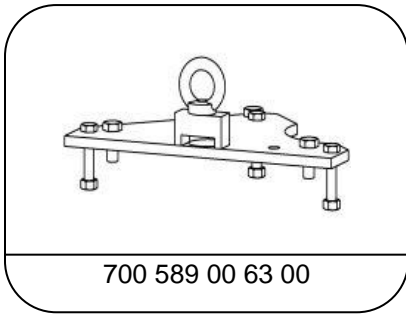
 **Note:**

Record old automatic transmission serial number and new transmission number on repair order.



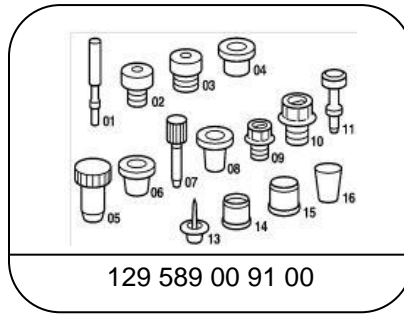
Figure 2

 **Special Tools**



700 589 00 63 00

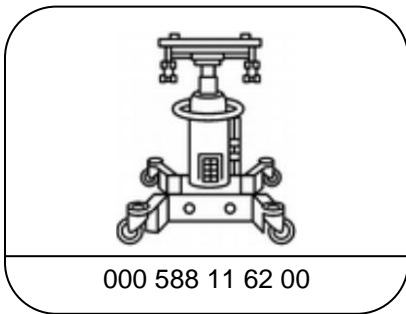
Lifting device



129 589 00 91 00

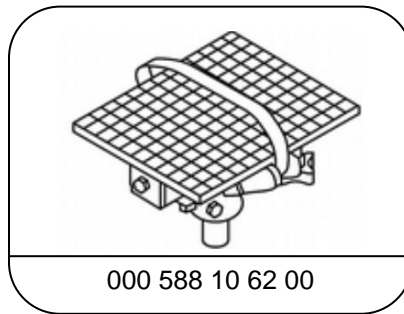
Record plugs

Workshop equipment



000 588 11 62 00

Major assembly mount



000 588 10 62 00

Support plate

 **Note:**

Required equipment as per SSEP on-line catalog

i **Note** (regarding WIS documents referenced in this Procedure):

Replacement of parts not listed in the parts table of this Procedure are not claimable under this campaign. If replacement of additional part(s) is necessary, check coverage prior to submitting under warranty.

Primary Parts Information

Qty.	Part Name	Part Number	Estimated Replacement Rate
1	Transmission (<i>without</i> code 467 - Electronic locking differential)	A 190 260 05 00 or	8%
1	Transmission (<i>with</i> code 467 - Electronic locking differential)	A 190 260 06 00	
1	Sealing ring	A 221 492 00 81	
2	Clamp	A 000 490 15 41	
16	Hex bolt (torque tube to trans.)	N000000 006589	
2	O-ring of feed line to connecting point	A 019 997 60 45	
4	Axle shaft disk of rear axle shaft flange	A 220 357 00 42	
12	Screw/bolt, axle shaft of rear axle shaft flange	A 002 990 10 03	
1	Bolt (trans. mounting)	A190 990 00 99	
4	O-ring (oil line to trans.)	A020 997 27 45	
8	Bolt, stiffening bracket (lwr rr)	N910142 008000	
4	Nut, stiffening bracket (lwr rr)	N910112 008000	
8	(6) Bolt, cross member to frame	N000000 007063	
	(2) Bolt (rr stiffening member to body)		
5	Nut (bracket to rr stiffening member)	N000000 006037	
2	Bolt (rr stiffening member to body)	N910143 008003	
2	Nut (rr stiffening member to body)	N000000 003175	
6	Bolt, transmission mount support	N910143 010017	
4	Bolt, trans. mount (active trans. mount)	N910143 010017	
2	Nut, exhaust to cross member	N000000 003175	
8	Bolt, exhaust to body	A001 990 99 00	
4	Bolt, center cross member	N000000 005053	
6	Bolt, rear cross member	N000000 005053	

i Note:

- Please be aware that only the part number(s) referenced in the Campaign Bulletin is/are approved for use to repair the vehicle. Repairs performed using any other part(s) will not have been performed in accordance with the campaign. Accordingly, warranty claims submitted with reference to an improper part number(s) will be denied.
- The following allowable labor operation should be used when submitting a warranty claim for this repair:

Warranty Information**Repair 1**

Operation: Check automatic transmission for leak (02-9722)
(includes: Remove/install underfloor paneling).

Damage Code	Operation Number	Labor Time (hrs.)
27 906 02 8	02-9722	0.4

Repair 2

Operation: Check automatic transmission for leak (includes: Remove/install underfloor paneling) (02-9722).
Replace automatic transmission (includes: Correct transmission fluid level) (02-9723).
Star Diagnosis System (SDS), Connect/disconnect (02-4762).
Perform transmission adaptation (02-9658).

Damage Code	Operation Number	Labor Time (hrs.)
27 906 02 7	02-9722	0.4
	02-9723	6.0
	02-4762	0.1
	02-9658	ZM

i Note

Operation Number labor times are subject to change.