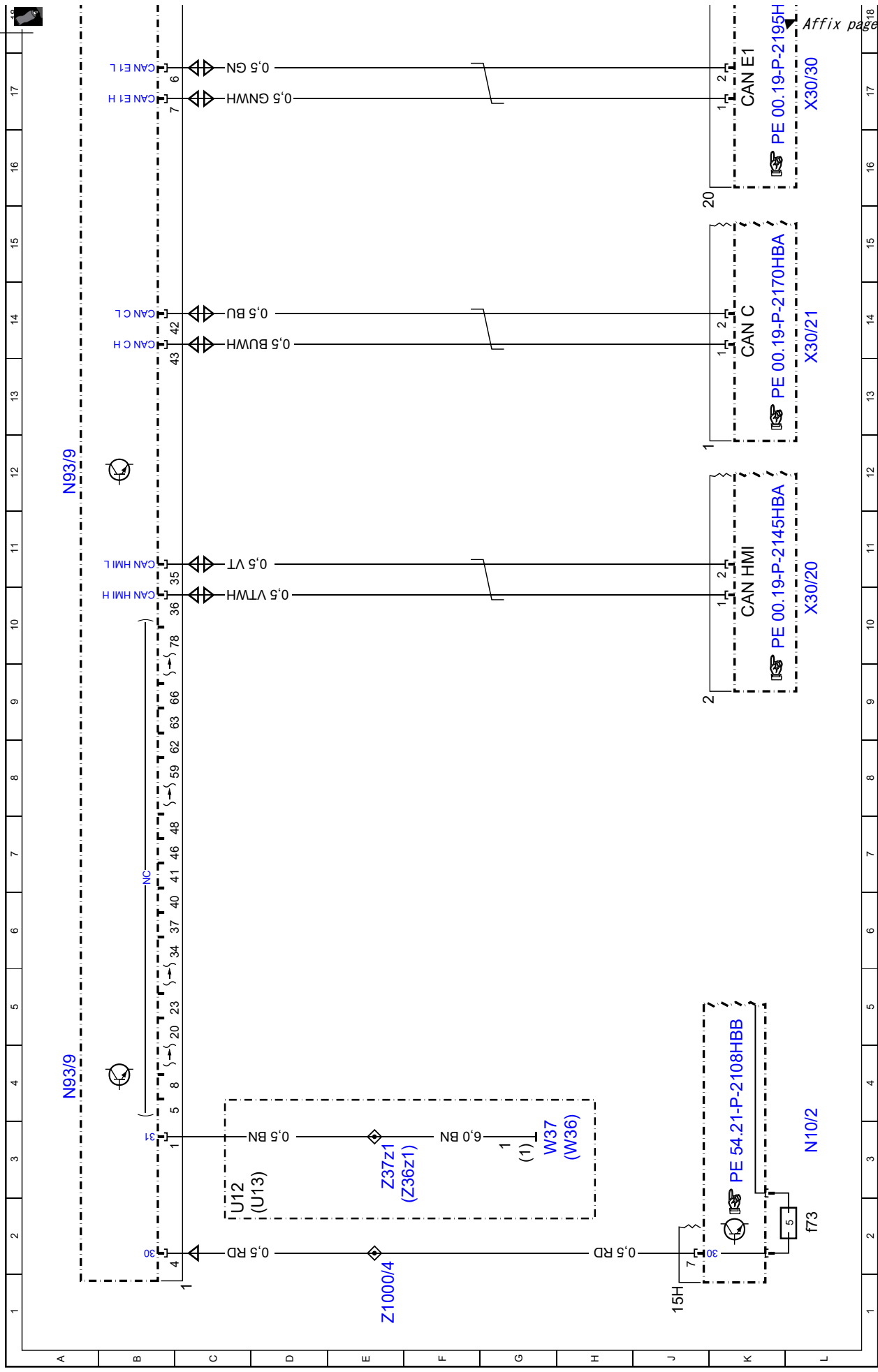


Document number: pe54.21-p-2146-97hba

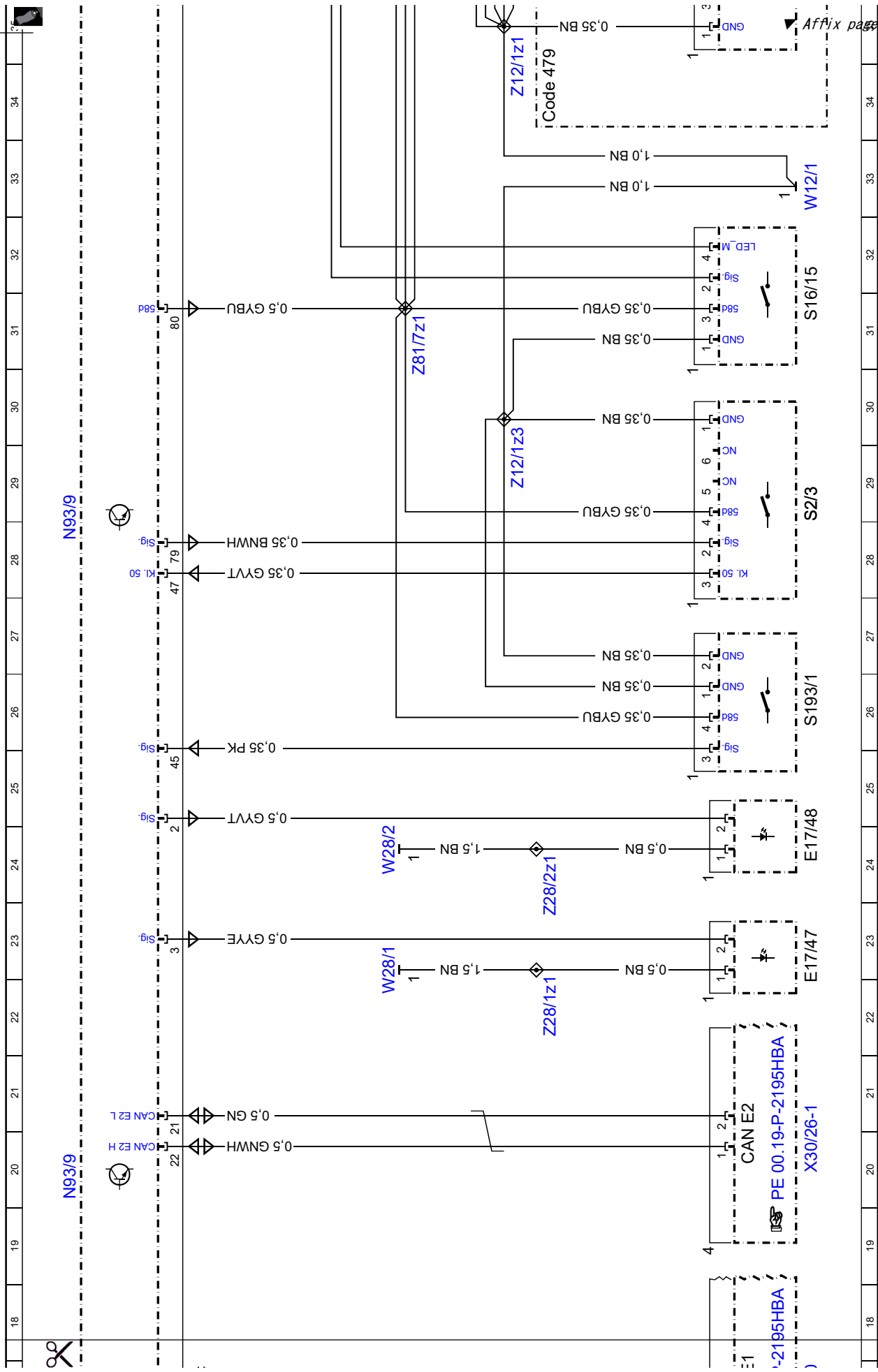
Document title: Wiring diagram for AMG gateway control unit

Code: Designation: Position:

W36	Right footwell ground point	3H
W37	Left footwell ground point	3H
W48	Left rear roof frame ground point	56E
X30/20	User interface CAN (CAN HMI) potential distributor electrical connector	10L
X30/21	Drive train CAN (CAN C) potential distributor electrical connector	14L
X30/26-1	Chassis 2 CAN (CAN E2) potential distributor electrical connector	20L
X30/30	Chassis CAN 1 (CAN E1) potential distributor electrical connector	17L
X30/32	Interior CAN (CAN B) potential distributor electrical connector	64L
X99/1	Electrical connector 1	66H
Y10	Direct steering solenoid valve	67L
Z1000/3	Rear spoiler hydraulic pump relay power supply connector sleeve	51G
Z1000/4	ECO start/stop function button connector sleeve	1E
Z1000/4	ECO start/stop function button connector sleeve	51E
Z12/1z1	Center console ground point connector sleeve	34G
Z12/1z3	Circuit 31 connector sleeve	29G
Z28/1z1	Left front seat crossmember ground point connector sleeve	22G
Z28/2z1	Right front seat crossmember ground point connector sleeve	24G
Z36z1	Right footwell ground point connector sleeve	3F
Z37z1	Left footwell ground point connector sleeve	3E
Z48z2	Circuit 31 connector sleeve	56G
Z81/7z1	Circuit 58d connector sleeve	31F
Z81z3	Circuit 58d connector sleeve	68E

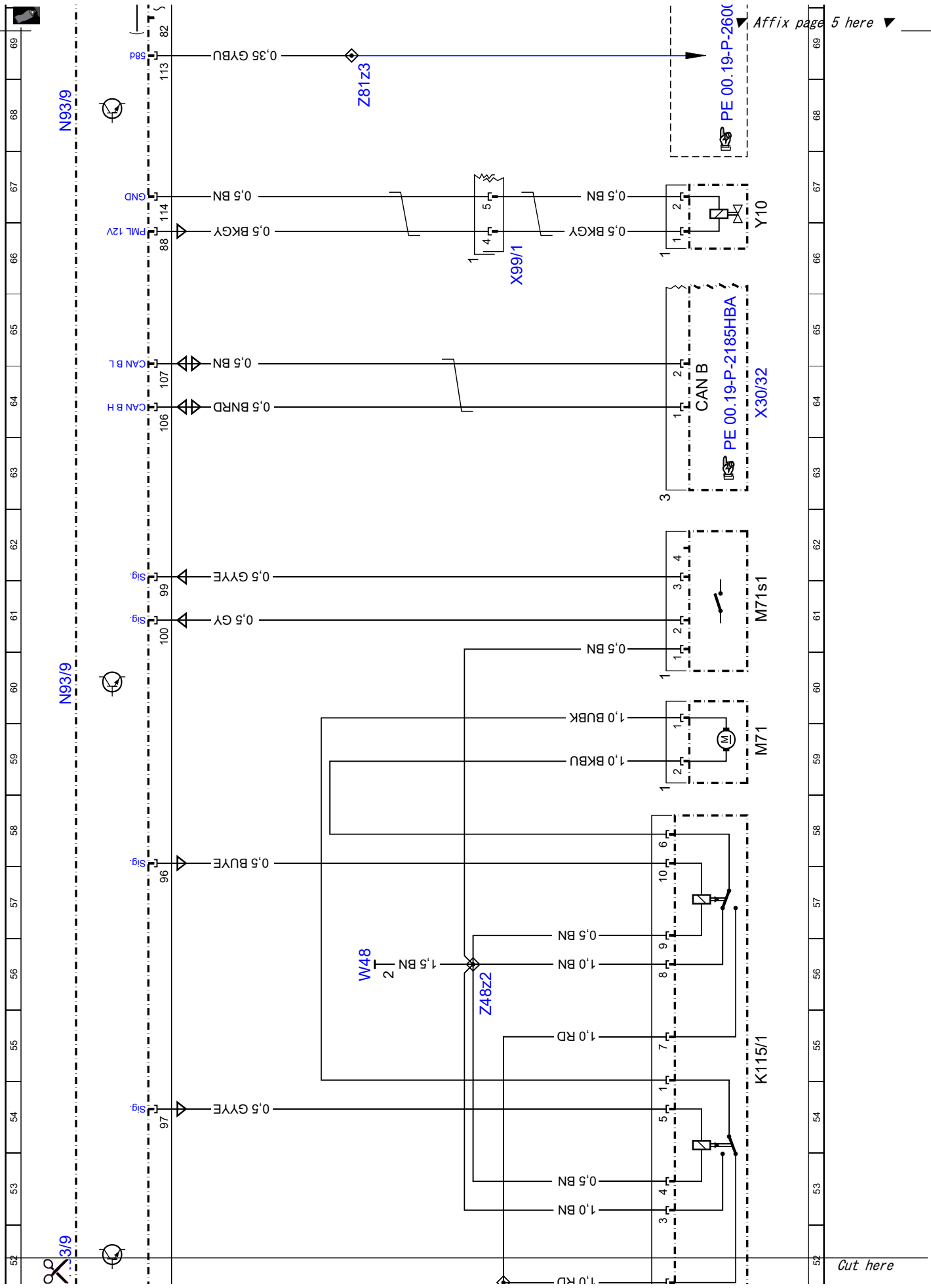


Affix page 2 here ▼



Cut here

Affix page 3 here



Affix page 5 here ▼

Cut here

