

AMG GT Roadster



R190

Model Year 2020

Pricing Preliminary

AMG
DRIVING PERFORMANCE

Important note

The information presented in this guide is based on the most current information available and is intended for internal use only. Mercedes-Benz reserves the right to make changes at any time, without notice, to colors, materials, equipment, special specifications and models.

Pricing may not yet be finalized for some models or options.

Due to variances among monitors and printers the colors that appear on your screen and printouts may not be exact.

For illustrative purposes, some images may show vehicles with European Specification.

Revision History

<i>Date</i>	<i>Changes</i>
11/2018	Initial release

AMG GT & GTC Roadster



Models



What's New



Standard Equipment



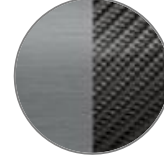
Exterior Paint Colors



Wheels



Interior Upholstery



Interior Trims



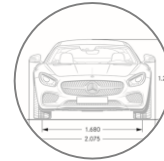
Option Packages



Stand-Alone Options



Options in Detail



Specifications



AMG GT Roadster (190.477)

- MSRP \$TBA
- Handcrafted AMG 4.0L V8 biturbo engine
- 469 hp
- 465 Torque lb-ft
- 3.9 sec (0-60 mph)
- Launch: Summer 2019



AMG GT C Roadster (190.480)

- MSRP \$TBA
- Handcrafted AMG 4.0L V8 biturbo engine
- 550 hp
- 502 Torque lb-ft
- 3.6 sec (0-60 mph)
- Launch: Summer 2019

Standard Equipment

- P44 – Parking Package – Now includes a Front Camera
- U88 – AMG Drive Unit Steering Wheel Controls
- U78 – AMG Performance Exhaust will now be standard for all GT Roadsters
- NTG 5.5 including Apple CarPlay, Android Auto, and AMG Track Pace
- New 12.3” fully digital instrument cluster
- New 10.25” multimedia center display
- Newly designed high performance LED headlights

New Optional Equipment

- 446 – Touchpad only option (replaces control knob on center console)
- 568 – Exclusive Nappa Leather in Silver Pearl/Black with Diamond Stitching (GT C only)
- 644 – designo Brilliant Blue Magno exterior color
- RXN – New Y-Spoke design wheel in titanium gray (GT only)
- RXQ – New Split 10-Spoke forged wheel in titanium gray (GT C only)
- RXR – New Split 10-Spoke forged wheel in black (GT C only)

Newly designed LED Headlights and Tail lights



New Model Specific Exhaust Tips



Performance & Handling

- Handcrafted AMG 4.0-L V8 Biturbo Engine
- 7-Speed Dual-Clutch Rear Transaxle w. Mechanical Limited Slip Diff.
- 19" AMG Wheels
- Summer Performance Tires
- AMG Drive Unit Steering Wheel Buttons
- Next Generation AMG Performance Steering Wheel
- AMG Performance Exhaust with Selectable Mode Switch
- AMG 3-stage ESP®
- Absorbent Glass Mat Battery

Comfort & Convenience

- AMG DYNAMIC SELECT
- NTG 5.5 with Apple CarPlay and Android Auto
- Active LED Headlamps with Intelligent High Beam Control
- Power/Heated/Memory AMG Performance Seats
- Power/Memory Steering Column
- AMG Stainless Steel Door Sill Covers
- COMAND® Navigation, 3-years of Map Updates, SIRIUS Satellite Radio
- AIRSCARF® - Ventilated Headrest
- AMG Track Pace
- Garage Door Opener
- MercedesMe Connect with trial period
- Dual Zone Climate Control
- Power/Memory/Dimming/Folding Mirrors
- Trickle Charger Pre-Wiring (Includes Accessory Trickle Charger)
- Fixed Wind Deflector
- 12.3" fully digital instrument cluster
- 10.25" Multimedia center display

Safety & Security

- Rearview and Front Cameras
- PRE-SAFE® System
- Active Brake Assist
- 8 Standard Airbags including Driver and Passenger Knee Airbags
- PARKTRONIC®
- Antitheft Alarm System

Performance & Handling

- Handcrafted AMG 4.0-L V8 Biturbo Engine
- 7-Speed Dual-Clutch Rear Transaxle w. Mechanical Limited Slip Diff.
- 19"/20" AMG Wheels
- Summer Performance Tires
- Red Painted Brake Calipers
- Rear-Axle Steering
- Electronic Limited Slip Differential
- AMG Drive Unit Steering Wheel Buttons
- Next Generation AMG Performance Steering Wheel in Full DINAMICA
- AMG 3-stage ESP®
- Lithium Ion Battery
- AMG Performance Exhaust with Selectable Mode Switch
- AMG RIDE CONTROL Sport Suspension with 3-stage adjustment
- AMG Dynamic Plus Package
- AMG Silver Chrome Exterior Styling

Comfort & Convenience

All AMG GT standard features plus:

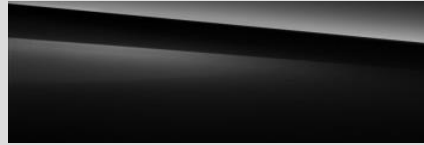
- Active LED Headlamps with Intelligent High Beam Control
- Ambient lighting
- Burmester® Surround Sound System
- Exclusive Nappa Leather Interior
- AMG Illuminated Door Sill Panels
- AIRSCARF® – Ventilated Headrest
- KEYLESS-GO®
- Heated and Ventilated Front Seats (*Heated only if equipped with 601, 621, or 631 interior*)

Safety & Security

All AMG GT standard features plus:

- Lane Tracking Package

Non-metallic Paints

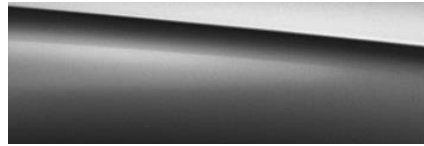


040
Black
Option price: \$0

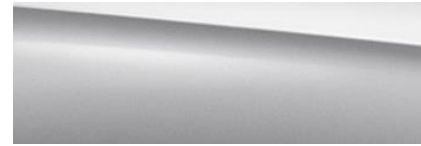


589
Jupiter Red
Option price: \$0

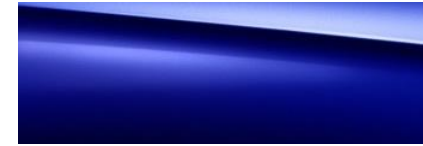
Metallic Paints



183
Magnetite Black
Option price: \$720



775
Iridium Silver
Option price: \$720



896
Brilliant Blue
Option price: \$720



992
Selenite Grey
Option price: \$720

AMG and designo® Paints



278
AMG Solarbeam Yellow
Option price: \$9,900
GTC only



644
designo Brilliant Blue Magno
Option price: \$3,950



297
designo Magno Selenite Grey
Option price: \$3,950



982
designo Magno Iridium Silver
Option price: \$3,950



799
designo Diamond White
Option price: \$1,515



996
designo Cardinal Red
Option price: \$1,080



793
19" AMG Twin-5-Spoke
Option price: \$0
GT only



765
19"/20" AMG 5-Spoke
Option price: \$1,000
GT only



663
19"/20" AMG 5-Spoke, Black
Option price: \$1,500
GT only



766
19"/20" AMG 10-Spoke
Option price: \$1,700
GT only



RXN
19"/20" AMG 10-Spoke Y-
design
Option price: \$1,700
GT only



658
19"/20" AMG Cross-Spoke
GT C: \$1,200
GT: \$1,700
All models



659
19"/20" AMG Cross-Spoke, Black
GT C: \$1,700
GT: \$2,200
All models



RXO
19"/20" AMG Twin-5-Spoke
Option price: \$0
GT C only



RXP
19"/20" AMG Twin-5-Spoke
with Black Accents
Option price: \$500
GT C only



RXQ
19"/20" AMG Split 10-Spoke
Option Price: \$1,200
GT C only



RXR
19"/20" AMG Split 10-Spoke,
Black
Option Price: \$1,700
GT C only

<i>Code</i>	<i>Wheel Size</i>	<i>Description</i>	<i>Wheel Dimensions</i>	<i>Mobility</i>	<i>Availability</i>	<i>MSRP</i>
793	19"	AMG Twin-5-Spoke	255/35 R 19 on 9 J x 19 ET58 (Front) 295/30 R 19 on 11 J x 19 ET68 (Rear)	B51	GT	\$ 0
765	19"/20"	AMG 5-Spoke	265/35 R 19 on 9 J x 19 ET62 (Front) 295/30 R 20 on 11 J x 20 ET68 (Rear)	B51	GT	\$ 1,000
663	19"/20"	AMG 5-Spoke, Black	265/35 R 19 on 9 J x 19 ET62 (Front) 295/30 R 20 on 11 J x 20 ET68 (Rear)	B51	GT	\$ 1,500
766	19"/20"	AMG 10-Spoke	265/35 R 19 on 9 J x 19 ET62 (Front) 295/30 R 20 on 11 J x 20 ET68 (Rear)	B51	GT	\$ 1,700
RXO	19"/20"	AMG Twin-5-Spoke	265/35 R 19 on 9 J x 19 ET61 (Front) 305/30 R 20 on 12 J x 20 ET46 (Rear)	B51	GT C	\$ 0
RXP	19"/20"	AMG Twin-5-Spoke, Black	265/35 R 19 on 9 J x 19 ET61 (Front) 305/30 R 20 on 12 J x 20 ET46 (Rear)	B51	GT C	\$ 500
658	19"/20"	AMG Cross-Spoke	265/35 R 19 on 9 J x 19 ET61 (Front) 295/30 R 20 on 11 J x 20 ET68 (Rear - GT) 305/30 R 20 on 12 J x 20 ET46 (Rear - GT C)	B51	GT GT C	\$ 1,700 \$ 1,200
659	19"/20"	AMG Cross-Spoke, Black	265/35 R 19 on 9 J x 19 ET61 (Front) 295/30 R 20 on 11 J x 20 ET68 (Rear - GT) 305/30 R 20 on 12 J x 20 ET46 (Rear - GT C)	B51	GT GT C	\$ 2,200 \$ 1,700
RXN	19"/20"	AMG 10-Spoke Y-Design	265/35 R 19 on 9 J x 19 ET62 (Front) 295/30 R 20 on 11 J x 20 ET68 (Rear)	B51	GT	\$ 1,700
RXQ	19"/20"	AMG Split 10-Spoke	265/35 R 19 on 9 J x 19 ET61 (Front) 305/30 R 20 on 12 J x 20 ET46 (Rear)	B51	GT C	\$ 1,200
RXR	19"/20"	AMG Split 10-Spoke, Black	265/35 R 19 on 9 J x 19 ET61 (Front) 305/30 R 20 on 12 J x 20 ET46 (Rear)	B51	GT C	\$ 1,700



641

Black w/ DINAMICA

Option price: \$0

GT only

Black Fabric Headliner

Not Available with 401 Ventilated Front Seats

Interior Upholstery – Nappa Leather



801
Black
Option price: \$1,900
GT only
Black Fabric Headliner



804
Auburn Brown
Option price: \$1,900
GT only
Black Fabric Headliner



857
Red Pepper/ Black
Option price: \$1,900
GT only
Black Fabric Headliner



858
Silver Pearl/ Black
Option price: \$1,900
GT only
Black Fabric Headliner

Interior Upholstery – Exclusive Nappa Leather w/Diamond Stitching



501

Black

GT C Only

61U Black DINAMICA Headliner



504

Auburn Brown

GT C Only

61U Black DINAMICA Headliner



555

Platinum White/ Black

GT C Only

61U Black DINAMICA Headliner



557

Red Pepper/ Black

GT C Only

61U Black DINAMICA Headliner



558

Silver Pearl/ Black

GT C Only

61U Black DINAMICA Headliner

Interior Upholstery – Exclusive Nappa Leather w/Diamond Stitching



564
Saddle Brown
w/ Diamond Stitching
GT C Only
61U Black DINAMICA Headliner



565
Macchiato Beige
w/ Diamond Stitching
GT C Only
65U Porcelain DINAMICA Headliner



568
Silver Pearl/Black
w/ Diamond Stitching
GT C Only
61U Black DINAMICA Headliner

Interior Upholstery – Exclusive Nappa Leather with DINAMICA



601

Black w/ Yellow Contrast Stitching

Option price (GT C): \$750

GT C only

Deletes 401 Ventilated Front Seats

(DINAMICA upholstery material does not have perforations)



621

Black w/ Silver Contrast Stitching

Option price (GT C): \$750

GT C only

Deletes 401 Ventilated Front Seats

(DINAMICA upholstery material does not have perforations)



631

Black w/ Red Contrast Stitching

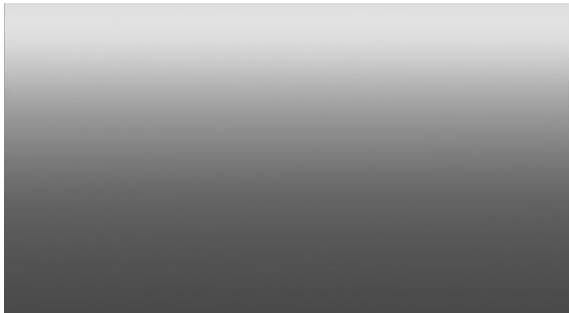
Option price (GT C): \$750

GT C only

Deletes 401 Ventilated Front Seats

(DINAMICA upholstery material does not have perforations)

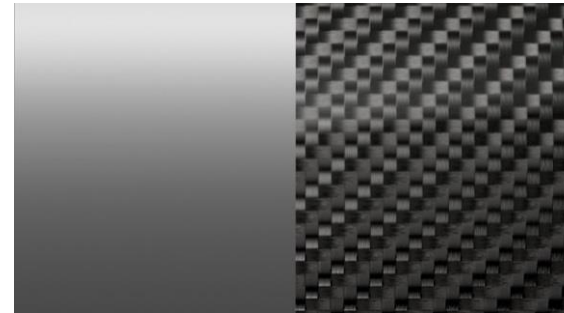
<i>Code</i>	<i>Upholstery</i>	<i>Seats</i>	<i>Floor Mats</i>	<i>Upper Dash/Lower Dash</i>	<i>Seat Belts</i>	<i>Headliner</i>
641	Black w/ DINAMICA	Black	Black	Black	Black	Black Fabric
801	Black	Black	Black	Black	Black	Black Fabric
804	Auburn Brown	Black	Black	Black	Black	Black Fabric
857	Red Pepper/ Black	Black/Red Pepper	Black	Black	Black	Black Fabric
858	Silver Pearl/ Black	Black	Black	Black	Black	Black Fabric
501	Black	Black	Black	Black	Black	Black DINAMICA
504	Auburn Brown	Black	Black	Black/Auburn Brown	Black	Black DINAMICA
555	Platinum White/Black	Black	Black	Black/White	Black	Black DINAMICA
557	Red Pepper/ Black	Black	Black	Black/Red Pepper	Black	Black DINAMICA
558	Silver Pearl/ Black	Black	Black	Black/Silver Pearl	Black	Black DINAMICA
564	Saddle Brown w/ Diamond Stitching	Black	Black	Black/Saddle Brown	Black	Black DINAMICA
565	Macchiato w/ Diamond Stitching	Macchiato	Macchiato	Black/Macchiato	Macchiato	Porcelain DINAMICA
568	Silver Pearl/Black w/Diamond Stitching	Silver Pearl/Black	Black	Black/Silver Pearl	Black	Black DINAMICA
601	Black w/ Yellow Contrast Stitching	Black w/ Yellow Contrast Stitching	Black	Black w/ Yellow Contrast Stitching	Black	Black DINAMICA
621	Black w/ Silver Contrast Stitching	Black w/ Silver Contrast Stitching	Black	Black w/ Silver Contrast Stitching	Black	Black DINAMICA
631	Black w/ Red Contrast Stitching	Black w/ Red Contrast Stitching	Black	Black w/ Red Contrast Stitching	Black	Black DINAMICA



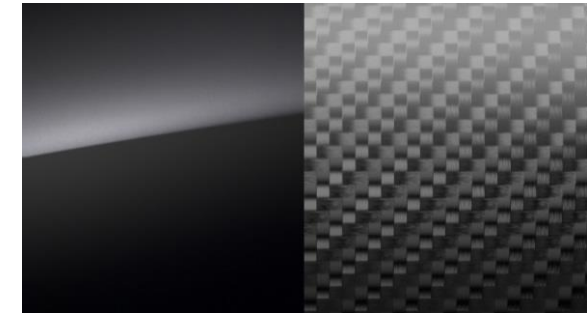
H70
AMG Silver Chrome Trim
Option price: \$0



H21
AMG Black Piano Lacquer
Option price: \$750



H73
AMG Carbon Fiber Trim Gloss
Option price: \$2,850
Requires Exclusive Trim Pkg (735)
GT C Only



H77
AMG Carbon Fiber Trim Matte
Option price: \$3,150
Requires Exclusive Trim Pkg (735)
GT C Only

<i>Code</i>	<i>Packages</i>	<i>Availability</i>	<i>MSRP</i>
P60	AMG Night Styling Package <i>(Not available with 773)</i> <ul style="list-style-type: none"> ▪ High-gloss black elements: Front splitter, air inlet grille in front apron, air outlet grille on engine bonnet, air outlet grilles behind the front wings, fins, side view mirror housings, trim strip in the diffuser insert ▪ Two black tailpipe trim elements 	GT GT C	\$ 750
993	Lane Tracking Package <ul style="list-style-type: none"> ▪ 234 – Blind Spot Assist ▪ 476 – Lane Keeping Assist 	GT	\$ 875
389	KEYLESS-GO® <ul style="list-style-type: none"> ▪ 889 – KEYLESS GO ▪ 871 – HANDSFREE-ACCESS 	GT	\$ 900
773	AMG Exterior Carbon Fiber Package <i>(Not available with P60)</i> <ul style="list-style-type: none"> ▪ Carbon fiber elements: Front splitter, side view mirror housings, fins in the air outlet grilles in the front wings, inserts in the side skirts and rear apron insert ▪ High-gloss black elements: Fins in the air intake grilles in the front apron ▪ High-gloss chrome elements: Tailpipes 	GT C	\$ 5,300

Stand-Alone Options

<i>Code</i>	<i>Options</i>	<i>Availability</i>	<i>MSRP</i>
260	Rear Deck Lid Badges – Delete Code	All models	\$ 0
C52	Fitted Indoor Car Cover	All models	\$ 370
Y04	Silver Seat Belts	All models	\$ 500
Y05	Red Seat Belts (Note: Does not coordinate with Red Pepper Interior)	All models	\$ 500
B29	AMG Carbon Fiber Door Sill Covers <i>Not available with U25 AMG Illuminated door sill covers</i>	All models	\$ 1,200
239	Active Distance Assist DISTRONIC®	All models	\$ 2,250
735	<i>Exclusive Trim Control Code</i>	GT C	<i>See Trims – P. 16</i>
401	Heated and Ventilated Front Seats	GT	\$ 450
U25	AMG Illuminated Door Sill Covers <i>Not available with B29 AMG Carbon fiber door sill covers</i>	GT	\$ 700
810	Burmester® Surround Sound System	GT	\$ 1,300
479	AMG RIDE CONTROL Sport Suspension with 3-stage adjustment	GT	\$ 1,500
PAK	AMG Interior Night Package <i>Requires H21 or H77 trim, and L6G Steering Wheel</i>	GT C	\$ 1,300
B14	AMG Carbon Fiber Engine Cover	GT C	\$ 1,500
811	Burmester® High-End Surround Sound System	GT C	\$ 4,500
B07	AMG High-Performance Ceramic Composite Braking System	GT C	\$ 8,950
446	<i>Touchpad Only Option (replaces control knob on center console)</i>	All models	\$ TBA

Soft Top



740
Black
Option price: \$0



743
Beige
Option price: \$0



747
Red
Option price: \$0
PM Note: *Does not coordinate with Red Pepper Interior*

Controller Knob vs Touchpad Only



Standard Controller Knob



446 – Touchpad Only

Steering Wheels



L6J - AMG Performance Steering Wheel - Full Nappa

Option Price for GT: \$0, GT C: 0\$

For outstanding vehicle control, the AMG Performance Steering Wheel in Nappa leather features a flattened bottom section as well as perforated grip areas. The sporty design is completed by silver-colored aluminum shift paddles and a 12-o'clock marking.



L6I - AMG Performance Steering Wheel - Nappa/DINAMICA

Option Price for GT: \$500 (GT only)

For an even better grip during sporty maneuvers, the grip area on the AMG Performance Steering Wheel in Nappa leather is finished in DINAMICA microfiber. The sporty design is completed by silver-colored aluminum shift paddles and a 12-o'clock marking.



L6G - AMG Performance Steering Wheel - Full DINAMICA

Option Price for GT C: \$0 (GTC only)

Required with PAK

For an even better grip during sporty maneuvers, the AMG Performance Steering Wheel with flattened bottom section is fully trimmed in DINAMICA microfiber. The sporty design is completed by a 12-o'clock marking and silver-colored aluminum shift paddles.

Steering Wheels



L6L - AMG Performance Steering Wheel – Nappa/Black Piano Lacquer Wood

Option Price for all models: \$600

Only with H21 or H77 Trim

Not compatible with PAK

For outstanding vehicle control, the AMG Performance Steering Wheel in Nappa leather features a flattened bottom section as well as perforated grip areas. The sporty design is completed by silver-colored aluminum shift paddles and a 12-o'clock marking.



L6H - AMG Performance Steering Wheel – Carbon Fiber/DINAMICA

Option Price for all models: \$900

Only with H21 or H73 Trim

Not compatible with PAK

For an even better grip during sporty maneuvers, the grip area on the AMG Performance Steering Wheel in Nappa leather is finished in DINAMICA microfiber. The sporty design is completed by silver-colored aluminum shift paddles and a 12-o'clock marking.

Brakes



AMG High-Performance Braking System (B06)

Standard on GT (GT only)

- Front axle: 14.2" front brake discs, internally ventilated and perforated with 6-piston fixed calipers
- Rear axle: 14.2" rear brake discs, internally ventilated and perforated with single-piston floating caliper
- Anodized silver-color finish



AMG High-Performance Composite Braking System (U70)

Standard on GTC (GTC only)

- Front axle: 15.4" front brake discs, internally ventilated and perforated with 6-piston fixed calipers
- Rear axle: 14.2" rear brake discs, internally ventilated and perforated with single-piston floating caliper
- Red-painted brake calipers



AMG High-Performance Ceramic Composite Braking System (B07)

Option Price for GTC: \$8,950

- Front axle: 15.8" front brake discs, internally ventilated and perforated with 6-piston fixed calipers
- Rear axle: 14.2" rear brake discs, internally ventilated and perforated with single-piston floating caliper
- Weight reduction of 40% compared with conventional steel brake discs
- Signature Bronze-painted brake calipers

PAK – AMG Interior Night Package



PAK – AMG Interior Night Package

Option Price: \$800, GT C only

Requires H21 or H77 trim, 735 Exclusive Trim Code, and L6G Steering Wheel

The following elements are finished in black or high-gloss black:

- Door sill with AMG lettering illuminated in white
- Steering wheel spokes
- Steering wheel bezel
- Steering wheel gearshift paddles
- Seat insert beneath the head restraints
- Luggage compartment strut

AMG Night Styling Package (P60)

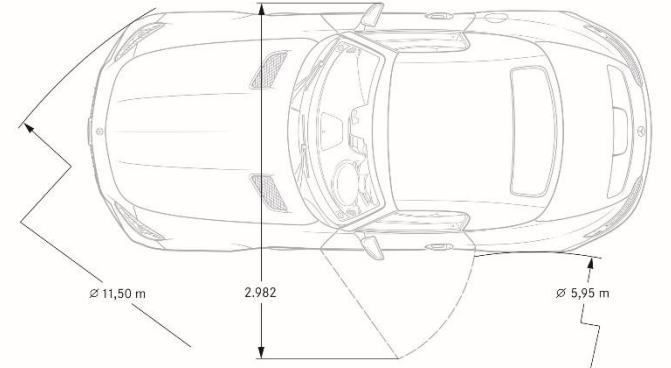
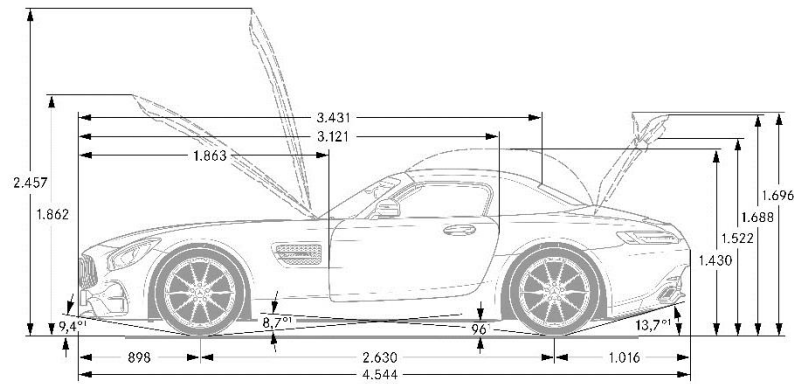
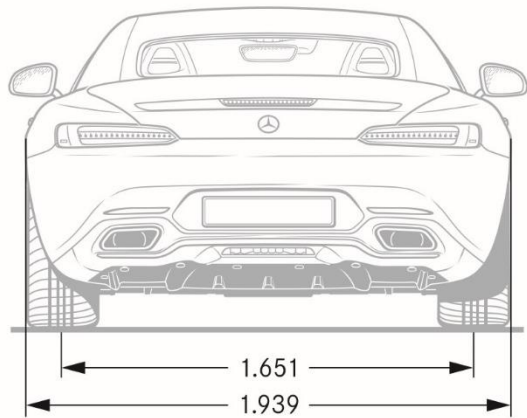
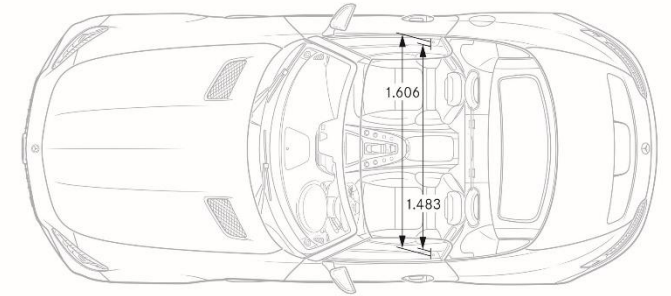
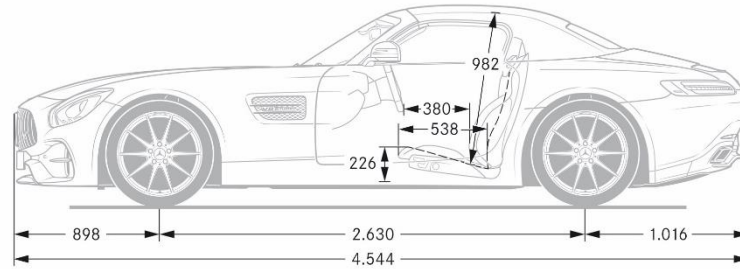
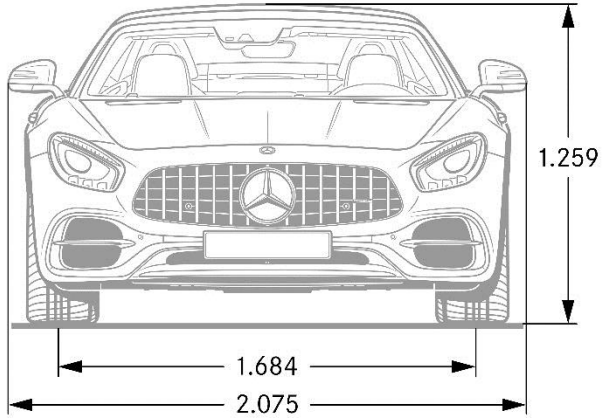


AMG Exterior Carbon Fiber Package (773)



	<i>Mercedes-AMG GT Roadster</i>	<i>Mercedes-AMG GT C Roadster</i>
Engine Configuration	Handcrafted AMG 4.0L V8 Biturbo with Dry-sump lubrication	Handcrafted AMG 4.0L V8 Biturbo with Dry-sump lubrication
Power (hp)	469 @ 6,000	550 @ 5,750-6,750
Torque (lb-ft)	465 lb-ft at 1,900-5,000 rpm	502 lb-ft at 2,100-5,750 rpm
Displacement (cc)	3,982 cc	3,982 cc
Acceleration 0-60mph (sec)	3.9 s	3.6 s
Fuel Economy (Cty/Hwy/Combined)	TBD	TBD
Top Speed (mph)	188 mph	196 mph
Fuel Requirement (Octane)	91	91
# Valves per cylinder	4	4
Compression	10.5:1	9.5:1
Transmission	AMG SPEEDSHIFT® DCT 7-speed dual-clutch transmission	AMG SPEEDSHIFT® DCT 7-speed dual-clutch transmission
Transmission Speeds	7	7
Drive Configuration	Rear-wheel drive	Rear-wheel drive
Standard Tire Type	High-Performance	High-Performance
Fuel Tank Size (gallons)	19.8	19.8
Trunk Size (cubic feet)	5.8 cu-ft	5.8 cu-ft
Curb Weight (lbs)	3,516	3,660
Vehicle Length (in.)	179	179
Vehicle Width w/o mirrors (in.)	76.34	79.02
Vehicle Width w/ exterior mirrors (in.)	81.69	81.69
Vehicle Height (in.)	49.57	49.60
Wheelbase (in.)	103.54	103.54
Track Width Front/Rear (in.)	66.30/65.00	66.06/66.73
Coefficient of Drag	0.36	0.38

Specifications – AMG GT Roadster



Specifications – AMG GTC Roadster

