

P68.30-3461-09

Shown with code (540) Roller sun blind and code (810) Sound system

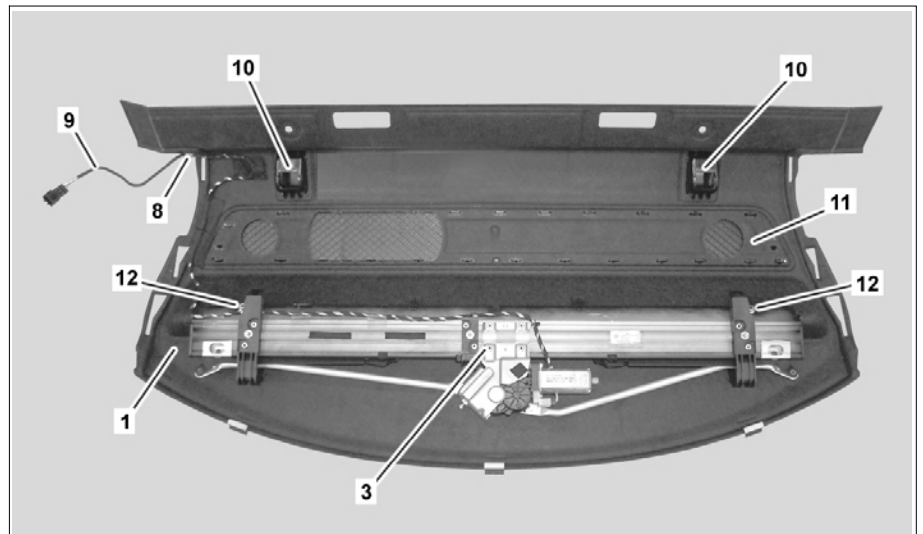
- 1 Rear shelf
- 2 Electrical connector (with code (540) Roller sun blind)
- 3 Roller sun blind (with code (540) Roller sun blind)

- 4 Expansion clip
- 5 Rear backrest lock
- 6 Bolt (with code (540) Roller sun blind)
- 7 Foam material

- H4/29 Rear shelf bass speaker
- H4/57 Right rear surround speaker

With code (540) Roller sun blind

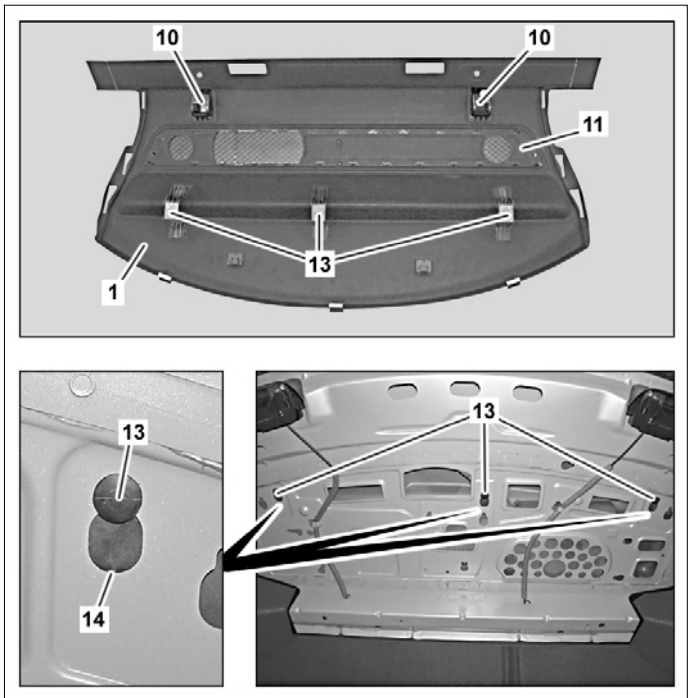
- 1 Rear shelf
- 3 Roller sun blind unit
- 8 Clip
- 9 Wiring harness
- 10 Top Tether cover
- 11 Speaker cover
- 12 Nut



P68.30-3462-05

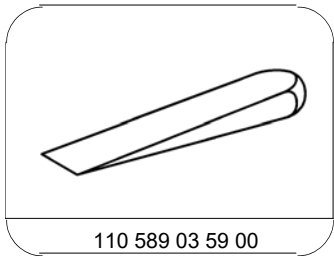
Without code (540) Roller sun blind

- 1 Rear shelf
- 10 Top Tether cover
- 11 Speaker cover
- 13 Catch hook
- 14 Support



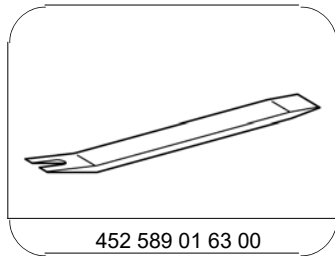
P68.30-3463-12

☒ ☒	Remove/install		
1	Remove left and right C-pillar paneling	i Place C-pillar paneling with attached seat belt to one side.	AR68.30-P-4490EC
2	Remove rubber from left and right expansion clip (4) and remove expansion clips (4)	🔧 Clip remover	*452589016300
3	Disconnect electrical connector (2)	On vehicles with code (540) Roller sun blind	
4	Remove bolts (6)	On vehicles with code (540) Roller sun blind	
5	Move rear shelf (1) over the rear backrest locks (5)		
6	Lift rear shelf (1) in the area of the rear shelf bass speaker (H4/29) with right rear surround speaker (H4/57)	On vehicles with code (810) Sound system and with code (540) Roller sun blind	
7	Place foam material (7) in the area of the rear shelf bass speaker (H4/29) with right rear surround speaker (H4/57) to one side	On vehicles with code (810) Sound system and with code (540) Roller sun blind	
8	Remove rear shelf bass speaker (H4/29) with right rear surround speaker (H4/57)	On vehicles with code (810) Sound system and with code (540) Roller sun blind	AR82.62-P-7836EC
9	Remove rear shelf (1).	i On vehicles without code (540) Roller sun blind, lead catch hook (13) of the rear shelf (1) forwards from the supports (14) at the same time.	
10	Install in the reverse order		
☑ ☑	Disassemble/assemble		
11	Connect electrical connector (2), extend roller sun blind of roller sun blind unit (3) approx. 20 cm with the aid of a helper and disconnect electrical connector (2) again	On vehicles with code (540) Roller sun blind i By extending the roller sun blind of the roller sun blind unit (3), the roller sun blind unit (3) can be removed from the rear shelf (1).	
12	Remove clip (8)	On vehicles with code (540) Roller sun blind	
13	Expose electrical wiring harness (9) of the roller sun blind unit (3) at the rear shelf (1)	On vehicles with code (540) Roller sun blind	
14	Unscrew nuts (12) and guide roller sun blind unit (3) out of rear shelf (1) and remove	On vehicles with code (540) Roller sun blind	
15	Unclip and remove Top Tether (10) and speaker (11) covers from the rear shelf (1)	🔧 Mounting wedge	*110589035900
16	Assemble in the reverse order		



110 589 03 59 00

Mounting wedge



452 589 01 63 00

Snap-release tool