

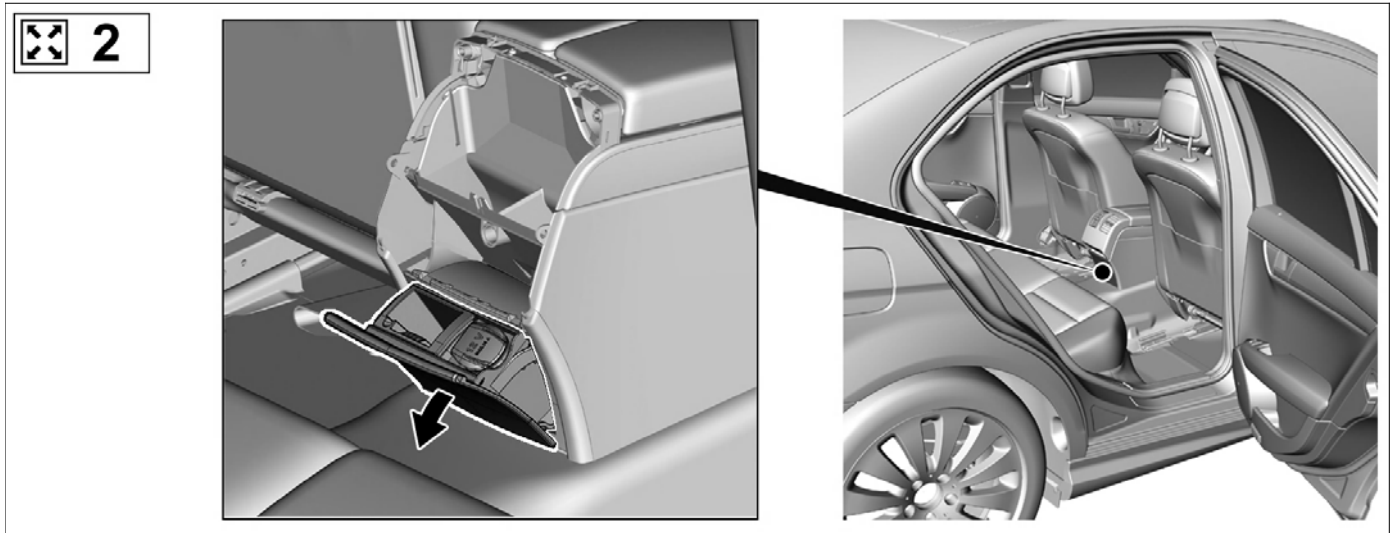
Modification notes

2.3.10	This document has been replaced by a document with an increased number of illustrations		
--------	---	--	--

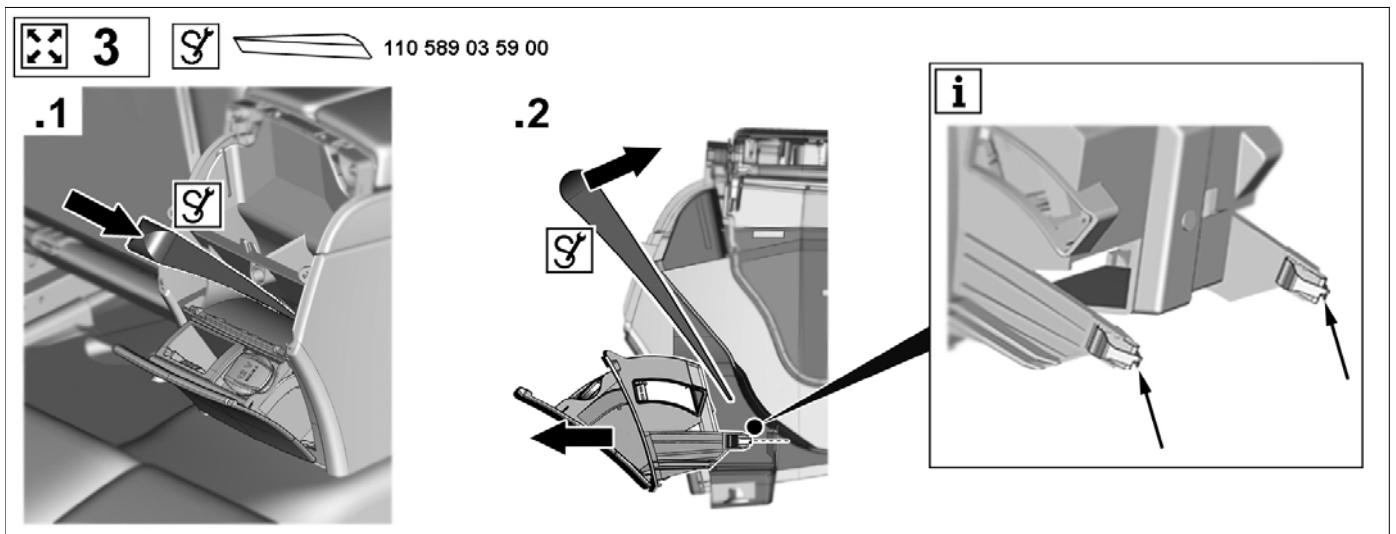
OV			OV00.01-P-1901-07A
1	Remove rear air nozzle	i Do not separate the electrical connectors. Model 204 Model 207	AR83.10-P-4800CW AR83.10-P-4800EC



P83.40-4401-07



P68.20-4269-08

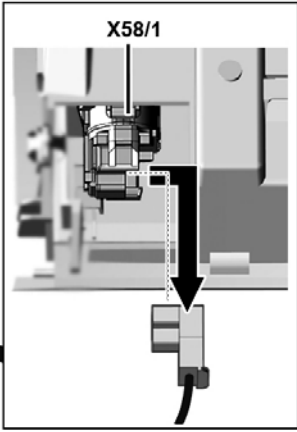
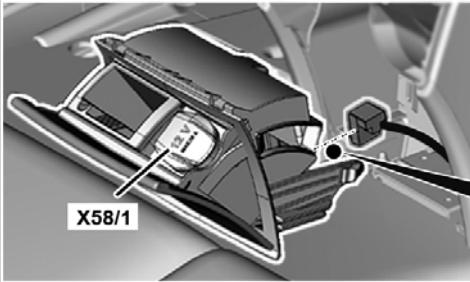


P68.20-4270-08

4



5



P68.20-4271-08

5 to 1