

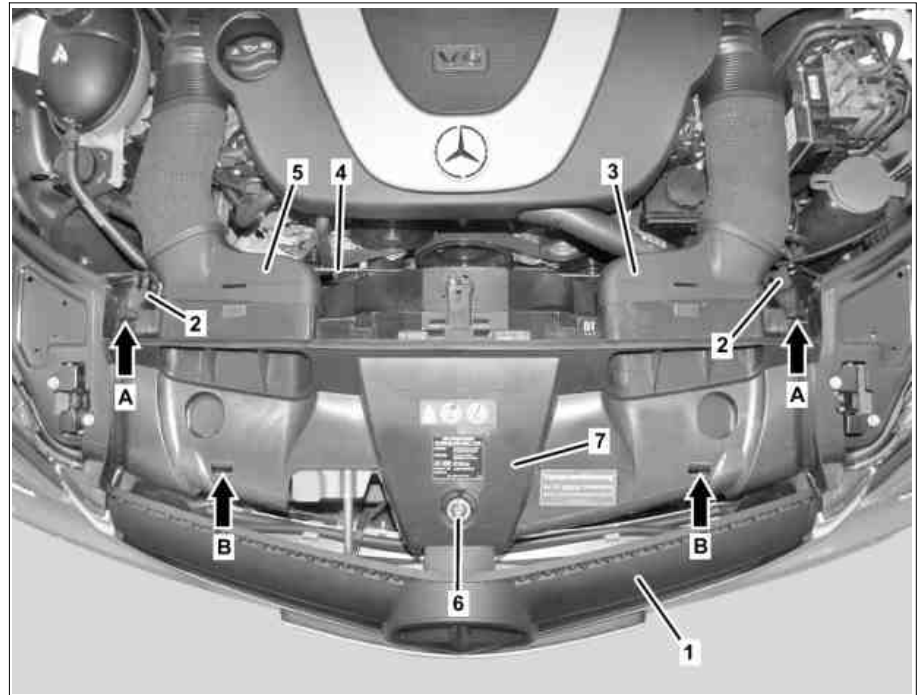
Model 207

Modification notes

31.8.15	"Expose electrical connector for front 360° camera from radiator trim and disconnect" added.	Step 11	
31.8.15	"Calibrate front 360° camera using the diagnostic system" added.	Operation step 14	

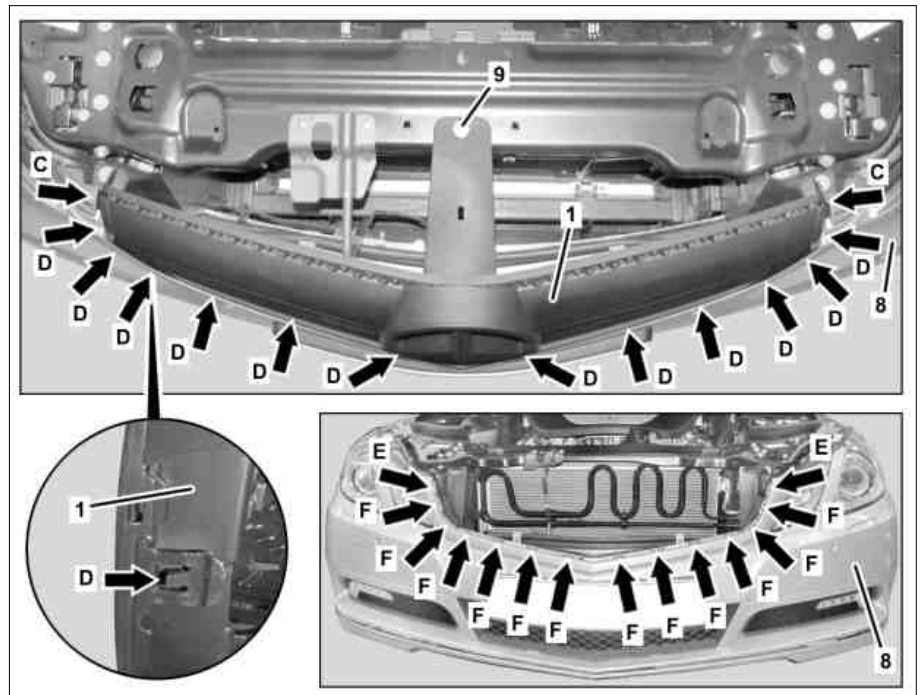
Shown on vehicle with ENGINE 272

- 1 Radiator grille
- 2 Bracket
- 3 Left air intake pipe (except motor 274)
- 4 Engine hood cable
- 5 Right air intake pipe (engine 272, 273, 274, 276, 278 and 642)
- 6 Retaining clip
- 7 Cold air intake bridge




P88.40-2881-06

- 1 Radiator grille
- 8 Front bumper
- 9 Screw



P88.40-2882-06

☒ ☒	<b>Remove/install</b>		
1	Open engine hood		AR88.40-P-1000EW

2	Remove air ducting from cold air intake bridge (7) to engine cover	Engine 642	
3	Remove left air intake pipe (3)	Model 207 with engine 271, 272, 273, 276, 278, 642, 651	
4	Remove right air intake pipe (5)	Model 207 with engine 272, 273, 274, 276, 278, 642	
5	Unhook engine hood cable (4) at holders (2)		
6	Detach retaining clip (6) by turning and remove		
7	Release cold air intake bridge (7) at catch hooks (arrows A and B) and remove		
8	Remove bolt (9)		
9	Disengage catch hooks (arrows C) on radiator trim (1)	<b>i</b> <b>Installation:</b> Ensure that catch hooks (arrows C) are seated correctly in recesses (arrows E) in front bumper (8).	
10	Disengage catch hooks (arrows D) on radiator trim (1) on front bumper (8)	<b>i</b> <b>Installation:</b> Ensure that catch hooks (arrows D) are seated correctly in recesses (arrows F) in front bumper (8).	
11	Expose electrical connector for front 360° camera from radiator trim (1) and disconnect	Model 207 as of 6/1/13 as of model year 2014 with code 501 (360° camera)	AR54.30-P-3001ECM
12	Remove radiator trim (1) toward front from front bumper (8)		
13	Install in the reverse order		
14	Calibrate front 360° camera using the diagnostic system	Model 207 as of 6/1/13 as of model year 2014 with code 501 (360° camera)	
 AD			AD00.00-P-2000-04A